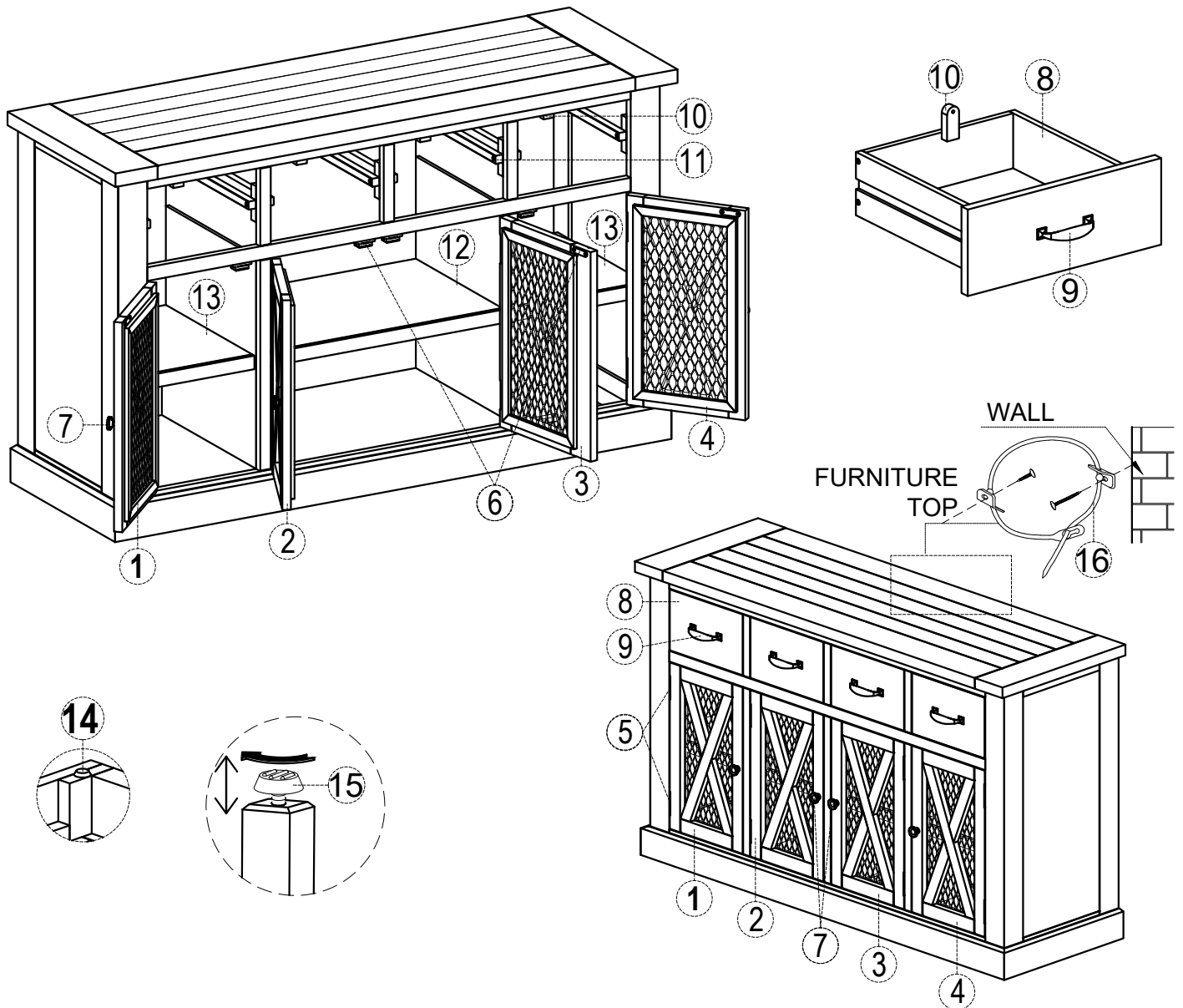


ASSEMBLY INSTRUCTIONS & PARTS IDENTIFICATION FOUR DRAWER SIDEBOARD

Thank you for purchasing this quality product. Be sure to check all packing material carefully for small parts that may have come loose inside the carton during shipment.

| Parts key | | | | | | | |
|-----------|------|--------|--------------------------|----|------|--------|--------------------------|
| No | Code | Qty | Description | No | Code | Qty | Description |
| 1 | A | 1 pc | End Left Facing Door | 9 | I | 4 sets | Pull w/Screws for Drawer |
| 2 | B | 1 pc | Center Left Facing Door | 10 | K | 4 pcs | Drawer Stop |
| 3 | C | 1 pc | Center Right Facing Door | 11 | L | 8 pcs | Drawer Glide |
| 4 | D | 1 pc | End Right Facing Door | 12 | M | 1 pc | Middle Shelf |
| 5 | E | 8 pcs | Door Hinge | 13 | N | 2 pcs | Side Shelf |
| 6 | F | 4 sets | Door Catch | 14 | O | 4 pcs | Floor Glide |
| 7 | G | 4 sets | Knob w/Screw for Door | 15 | P | 2 pcs | Floor leveler |
| 8 | H | 4 pcs | Drawer Complete | 16 | Q | 1 set | Anti-Tip Kit |



PLEASE NOTE : To help prevent the possibility of tip-over. Install the ANTI- TIP OVER restraint provided.