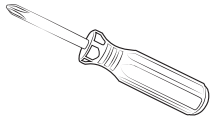


USER MANUAL

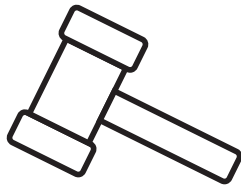


TABLE

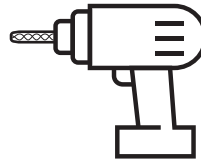
TOOLS REQUIRED



Phillips screwdriver
(Not included)



Hammer
(Not included)



Drill
(Not included)



Protective blanket
(Not included)



ATTENTION

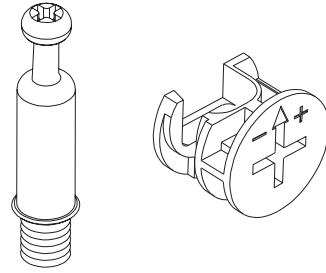
Keep children and pets away while assembling.



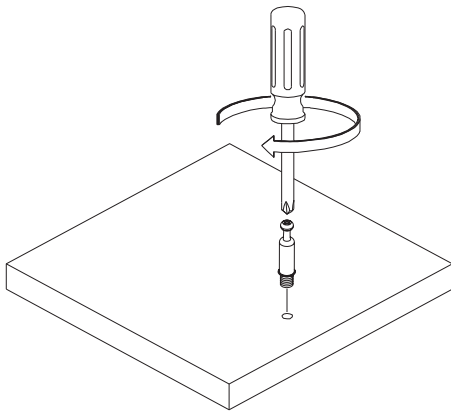
How to use cam locks

CAM LOCK FASTENING SYSTEM

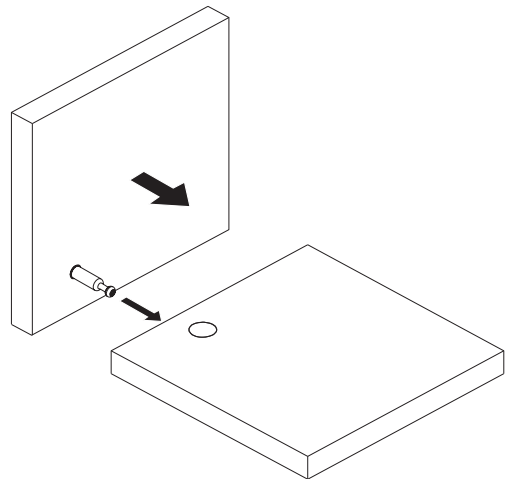
This Cam Lock Fastening System will be used throughout the assembly process.



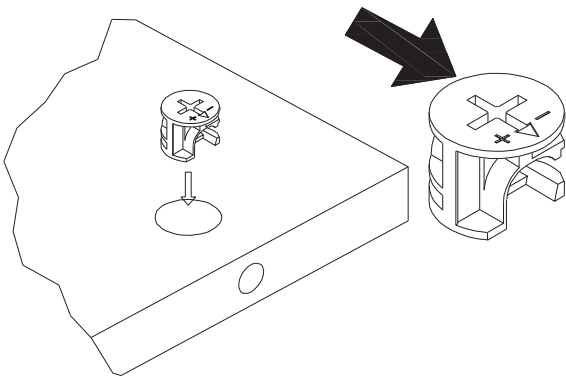
1



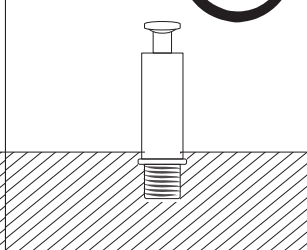
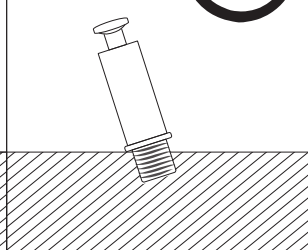
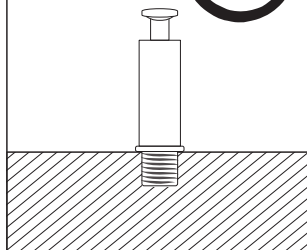
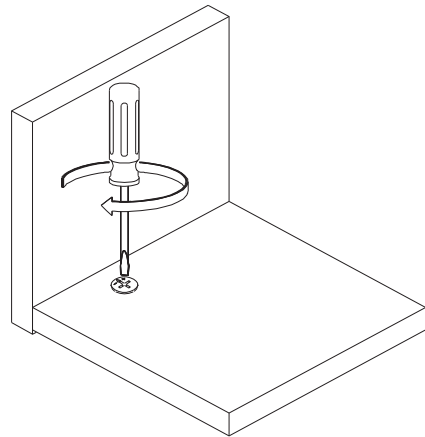
2



3



4



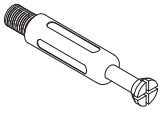
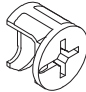
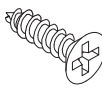
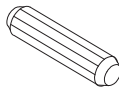
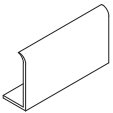
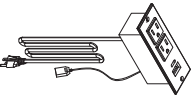
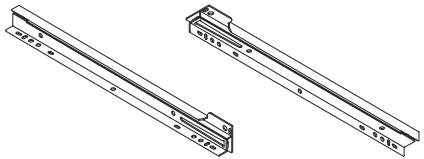
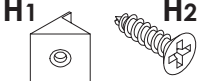

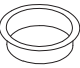

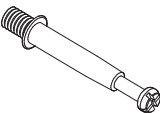
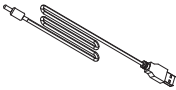
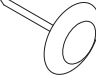
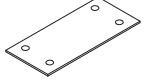
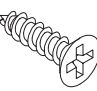
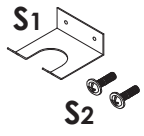

INTRODUCTION

Thank you very much for choosing our vanity. Please read the instruction carefully before assembly and keep it for future reference. If you need further assistance on assembly, please contact our customer service through email.

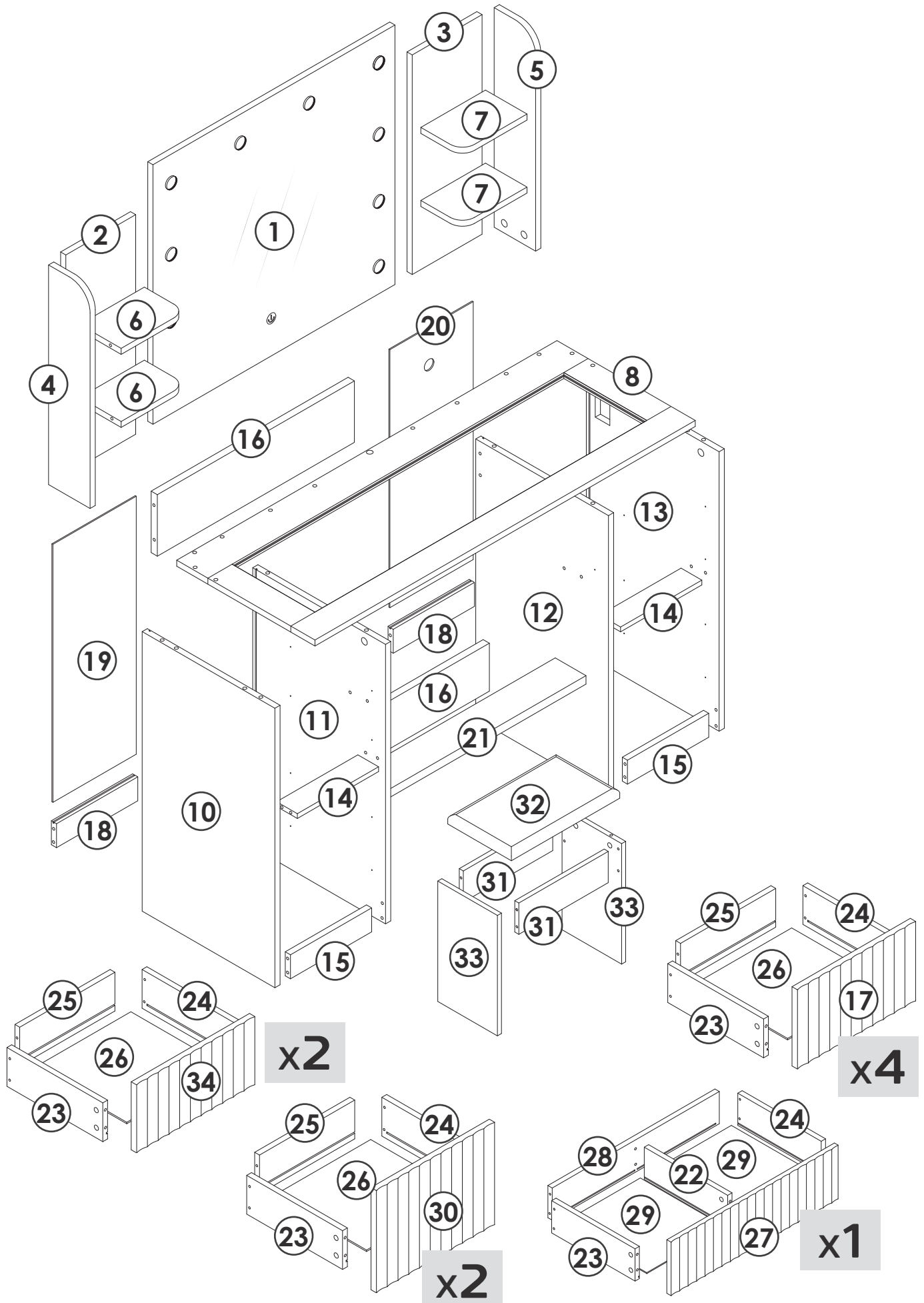
Tips:

1. When installing the product, use a soft underlay (such as carpet or cardboard) to avoid scratching or damaging the surface of the product.
2. Don't tighten screws completely at first, just in case parts were assembled wrong and need disassemble. Tighten screws at last when all parts are put together.
3. The structure of this product can not meet the requirements of the placement of heavy items and children climbing.

HARDWARES LIST

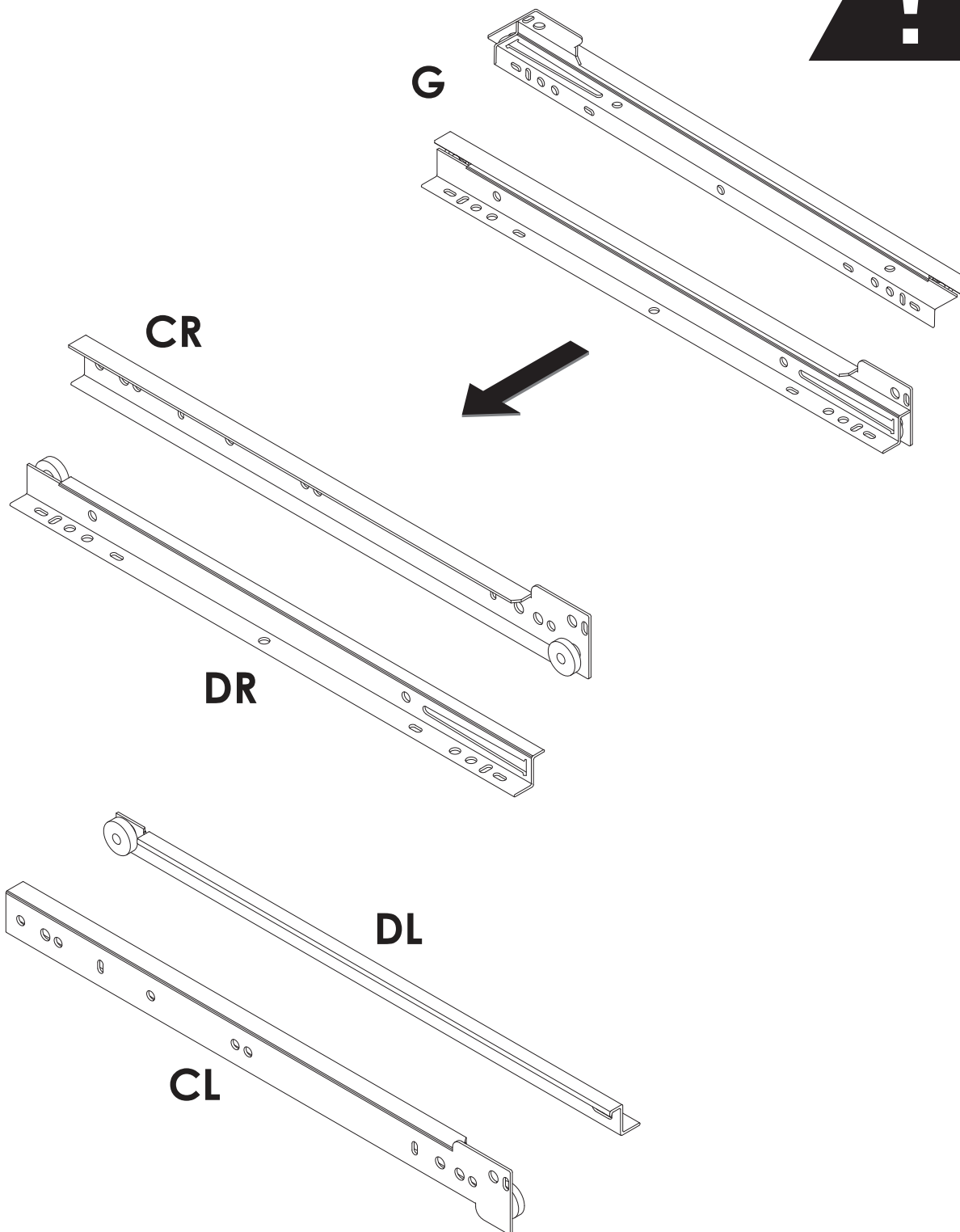
<p>A x40</p>  <p>M6*40mm</p>	<p>B x78</p>  <p>M15*11mm</p>	<p>C x54</p>  <p>M3.5*14mm</p>	<p>D x22</p>  <p>M8*40mm</p>
<p>E x9</p> 	<p>F x1</p>  <p>M3.5*14mm</p>	<p>G = CL + CR + DL + DR 12 INCHES x9</p> 	
<p>H x12</p>  <p>M3*16mm</p>	<p>J Hinge x70</p>  <p>M5*40mm</p>	<p>K x1</p> 	<p>L x52</p> 
<p>M x38</p>  <p>M6*40mm</p>	<p>N x1</p> 	<p>P x12</p> 	<p>Q x4</p> 
<p>R x54</p>  <p>M3*12mm</p>	<p>S x1</p> 	<p>T x10</p> 	

PRODUCT ASSEMBLY



INSTALLATION INSTRUCTION

$$G = CR + DR + CL + DL$$



01

A x4pcs



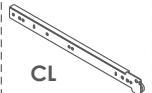
M6*40mm

C x8pcs

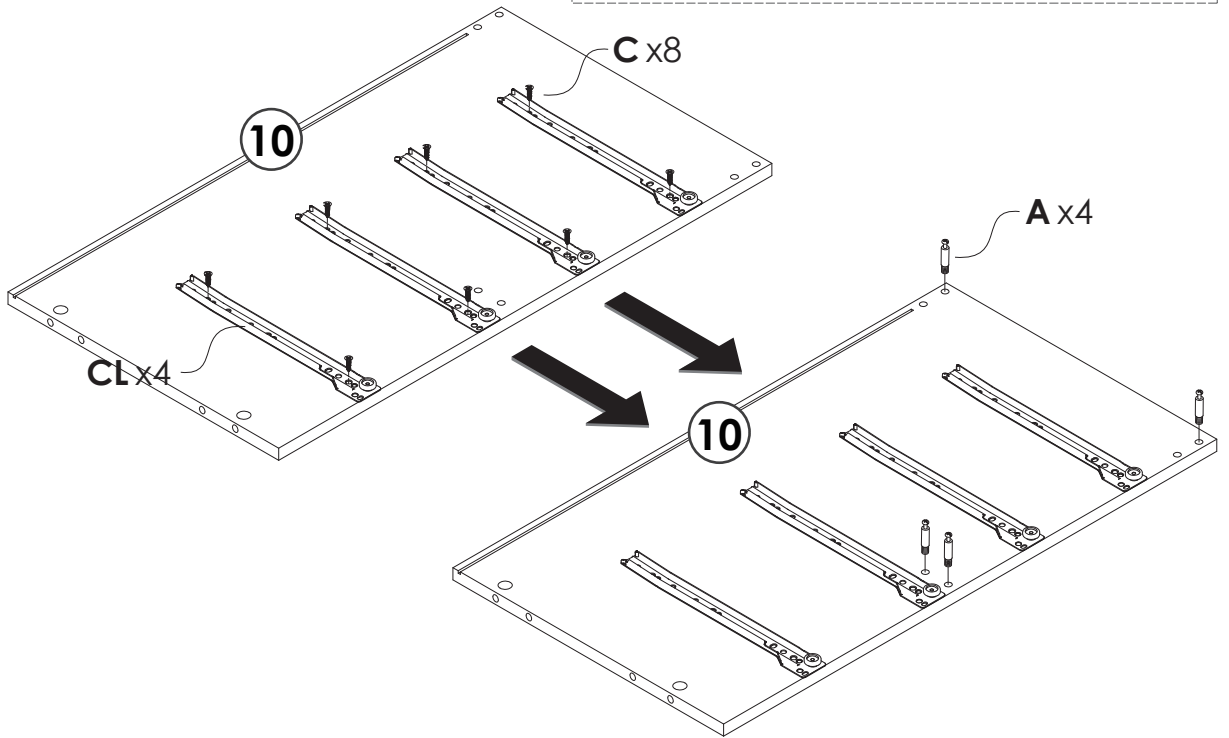
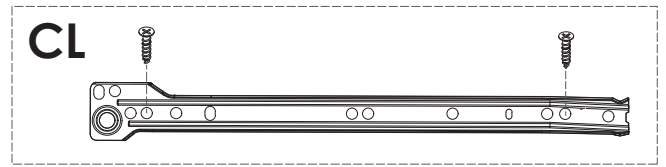


M3.5*14mm

G x4pcs



CL



02

A x4pcs



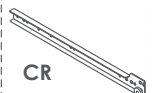
M6*40mm

C x8pcs

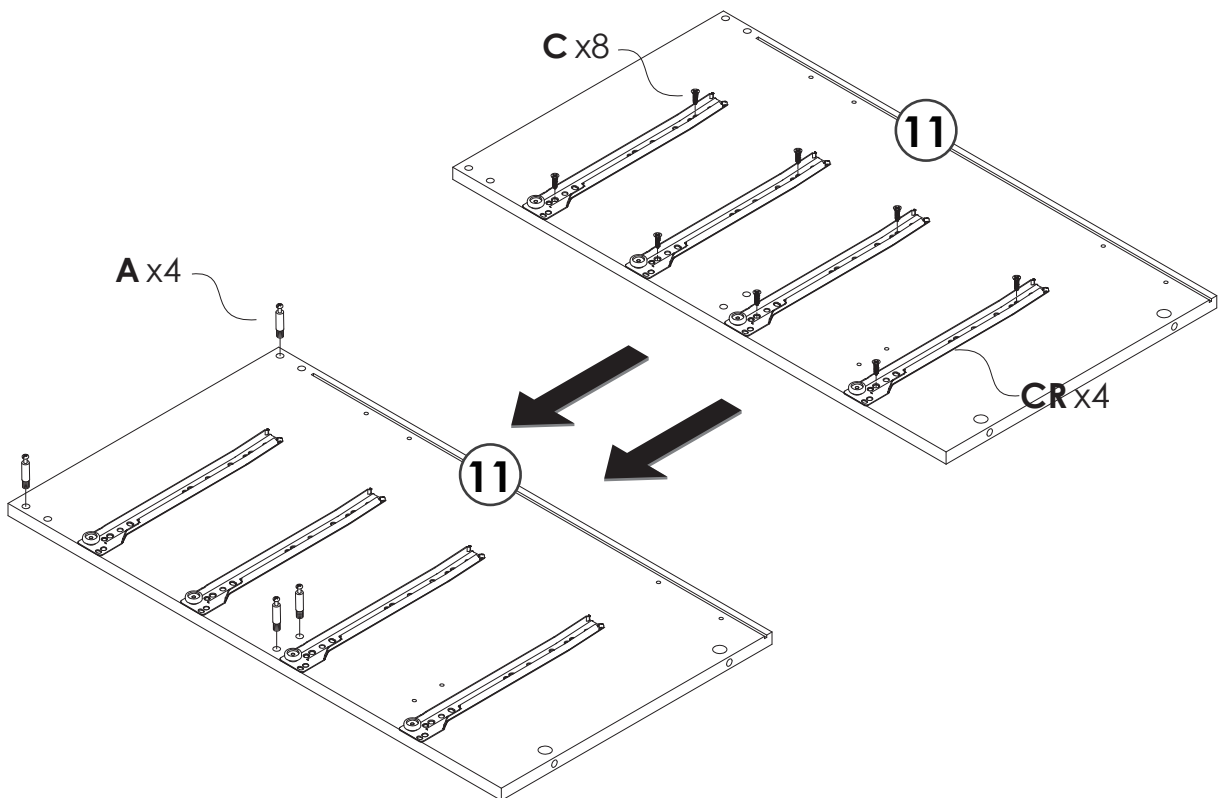
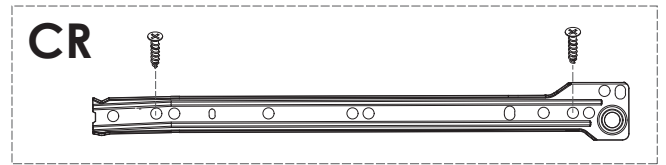


M3.5*14mm

G x4pcs



CR



03

A x4pcs



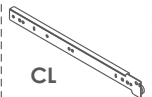
M6*40mm

C x8pcs

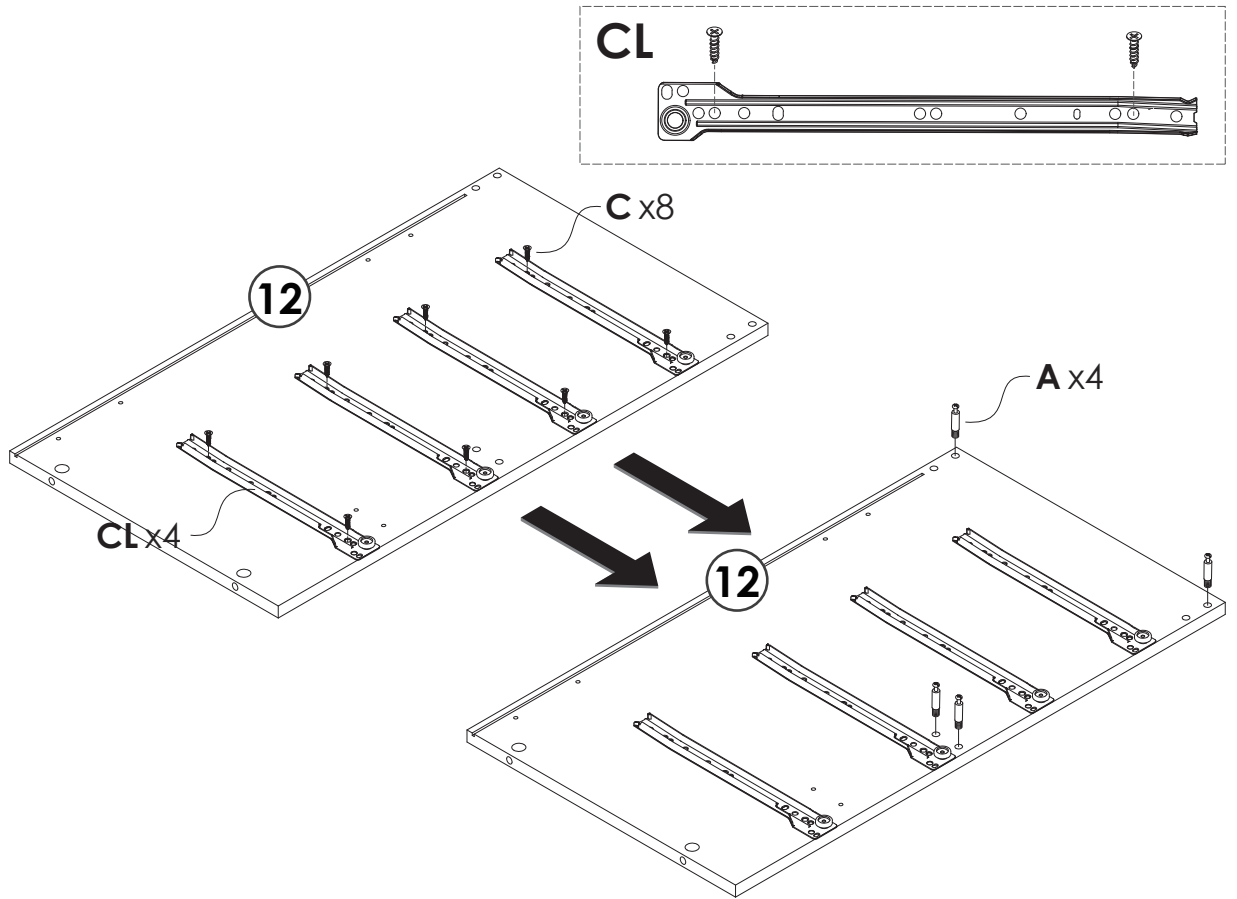


M3.5*14mm

G x4pcs



CL



04

A x4pcs



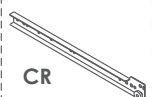
M6*40mm

C x8pcs

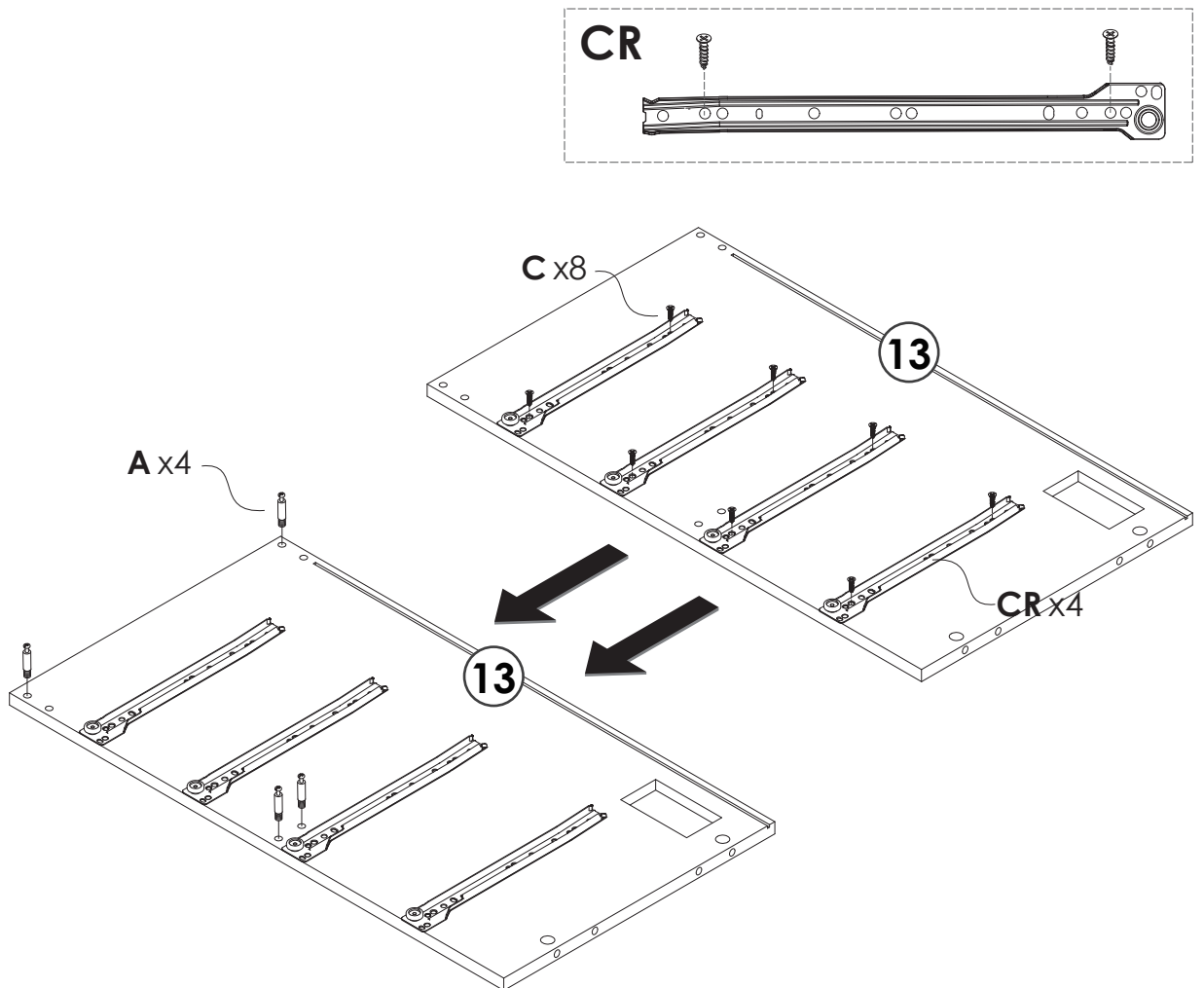


M3.5*14mm

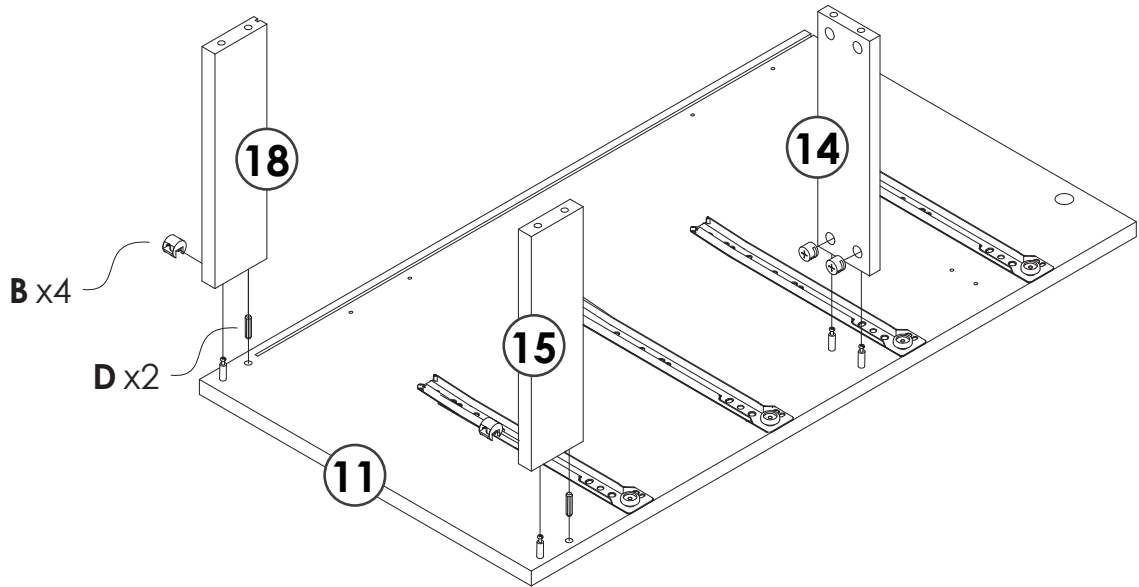
G x4pcs



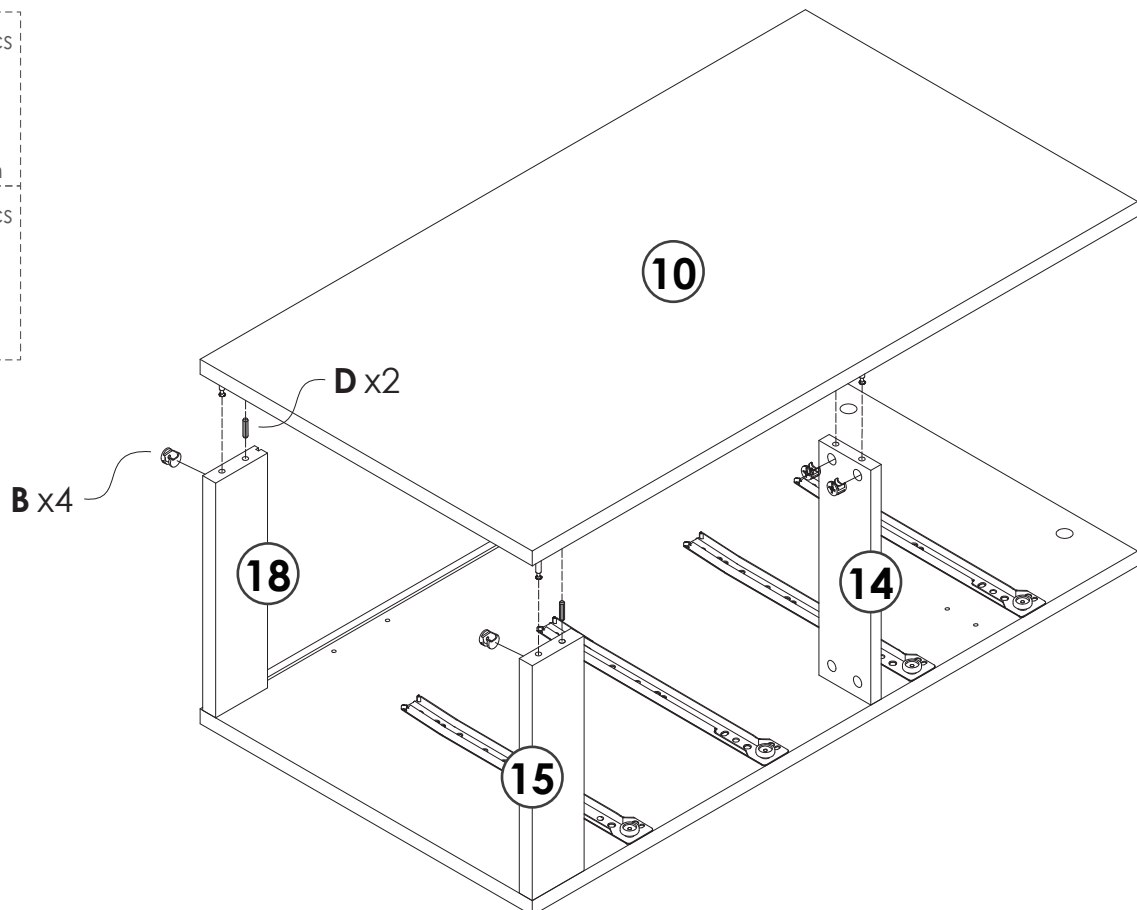
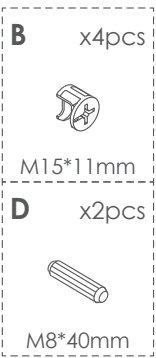
CR



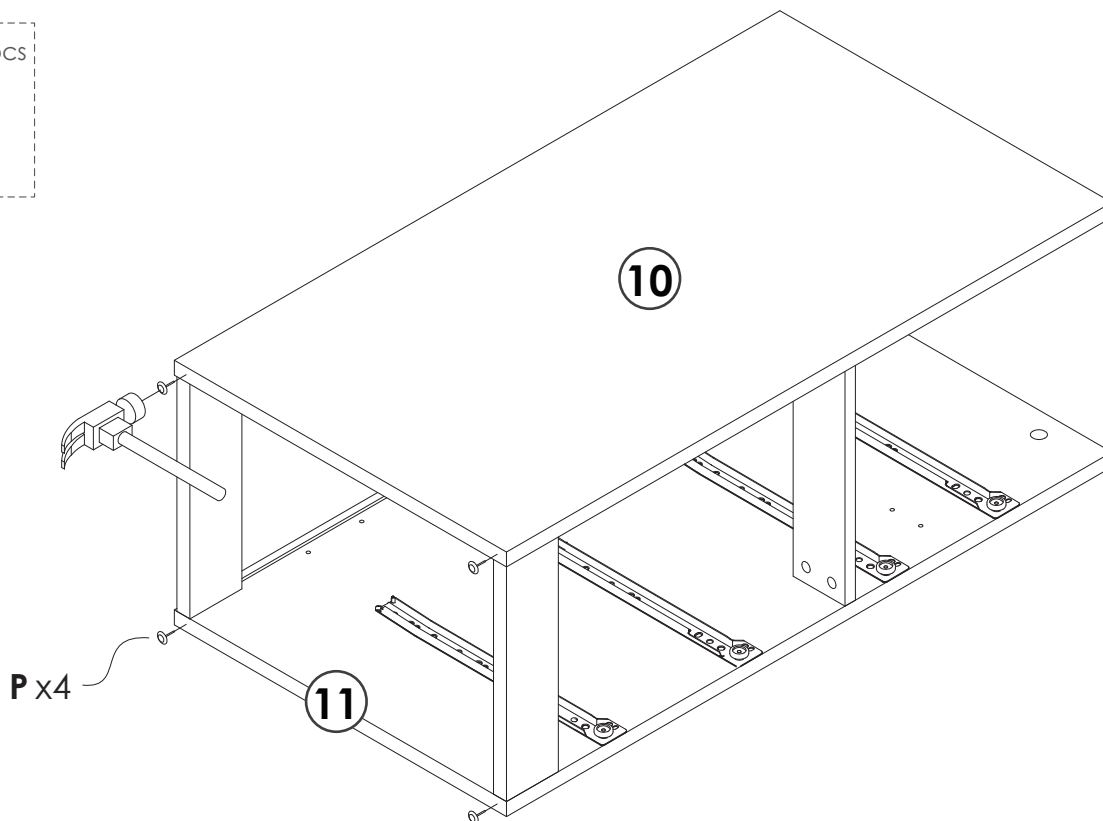
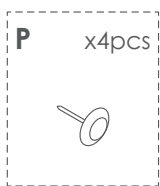
05



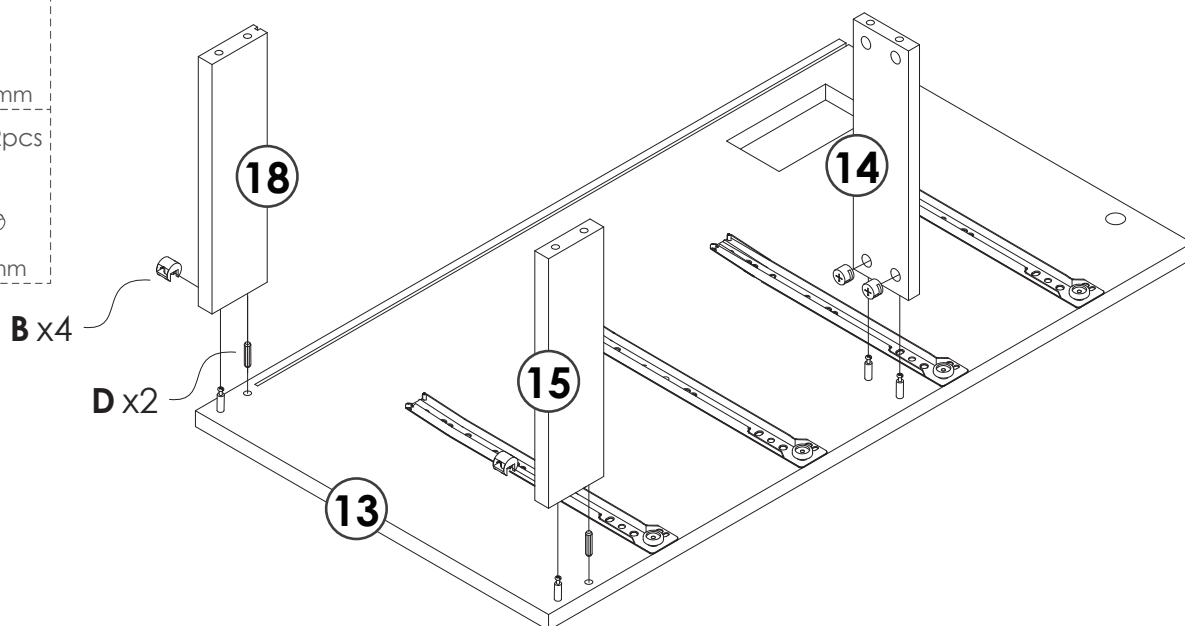
06



07



08



09

B x4pcs

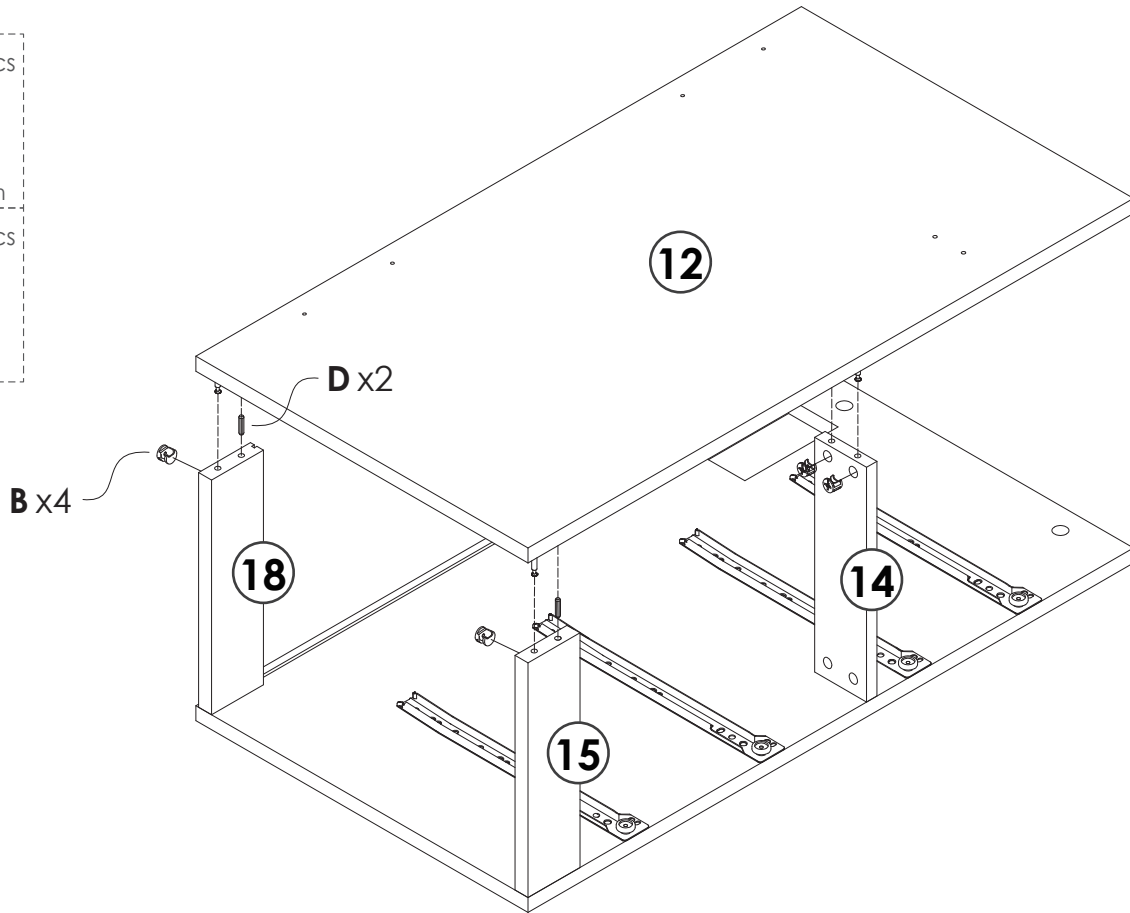


M15*11mm

D x2pcs

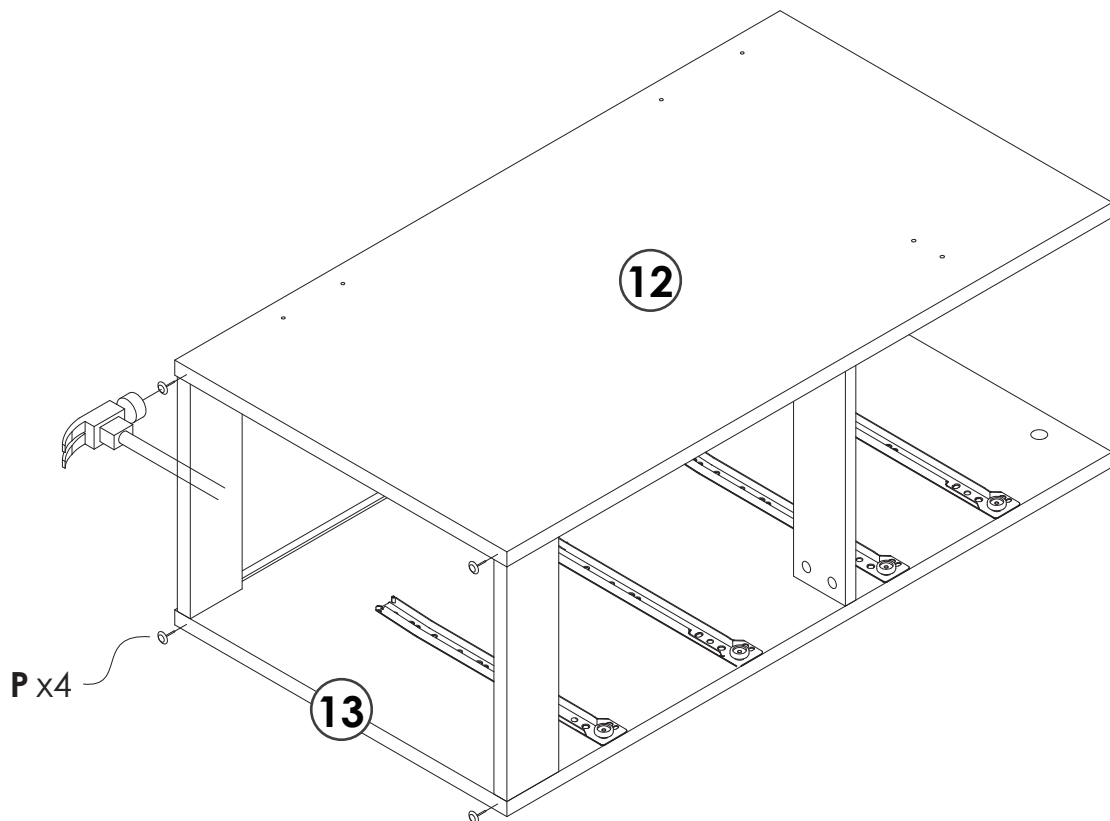


M8*40mm

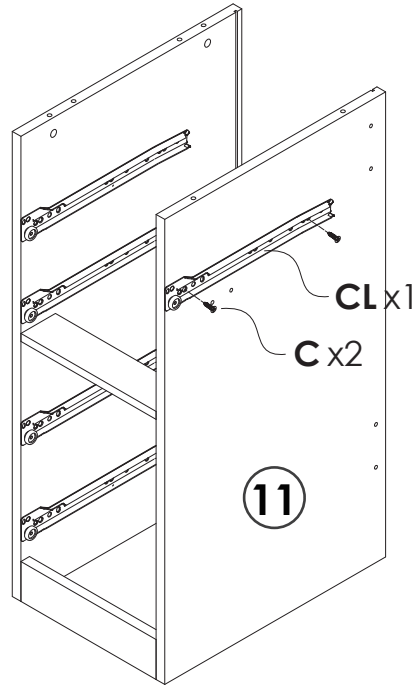
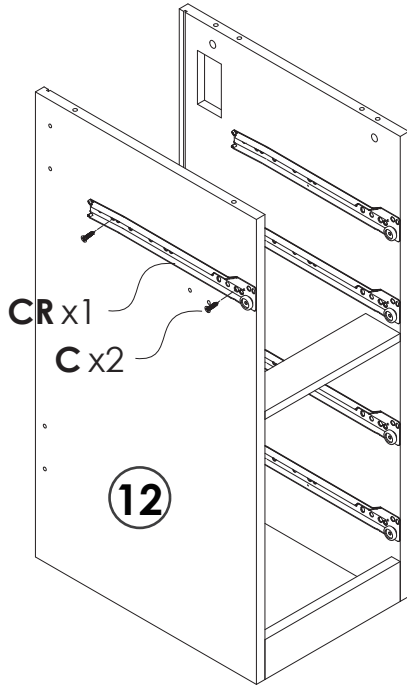
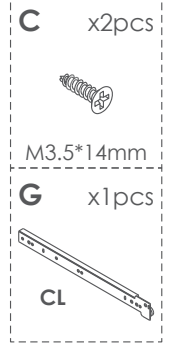
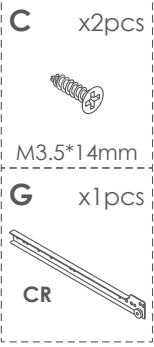
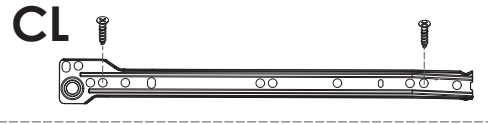
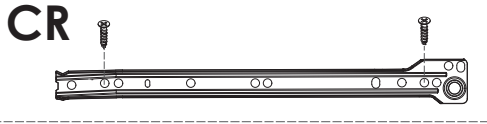


10

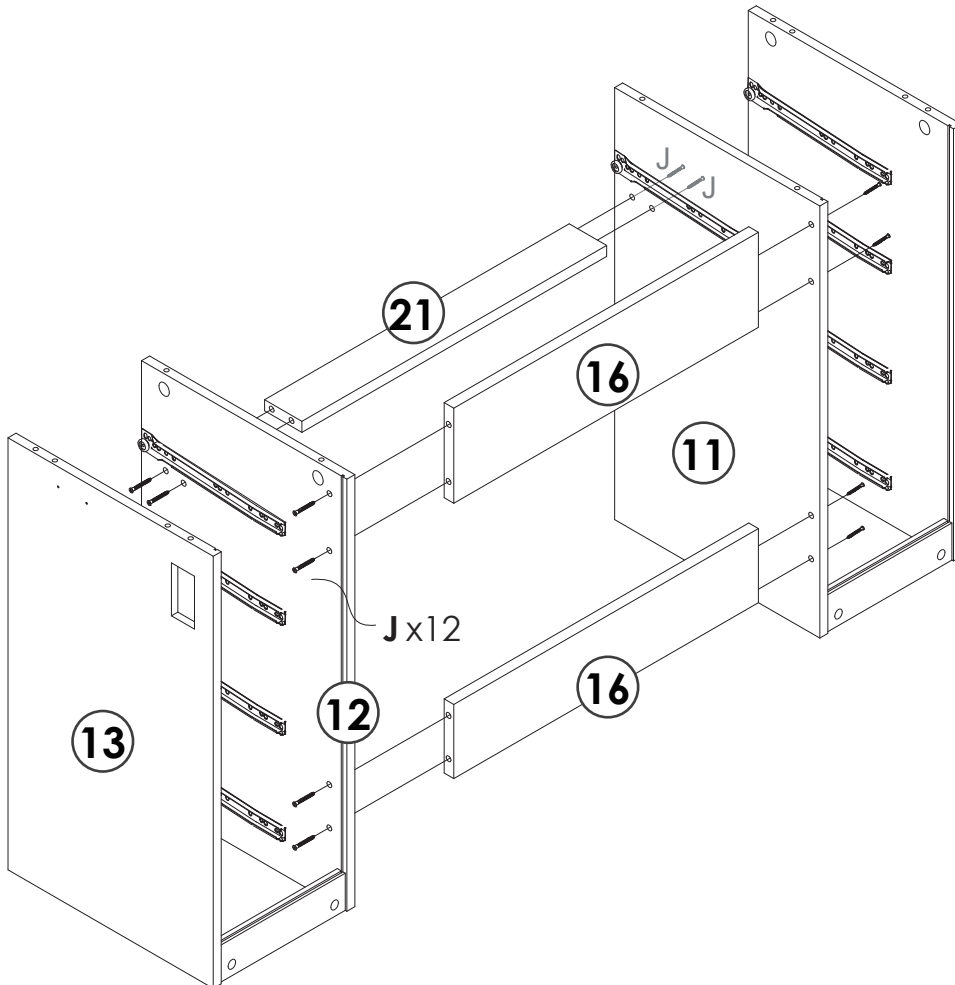
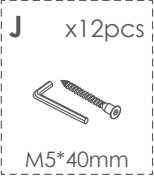
P x4pcs



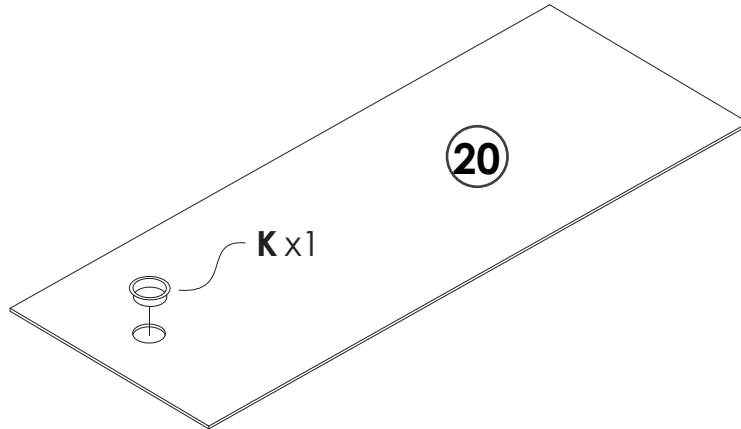
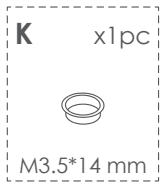
11



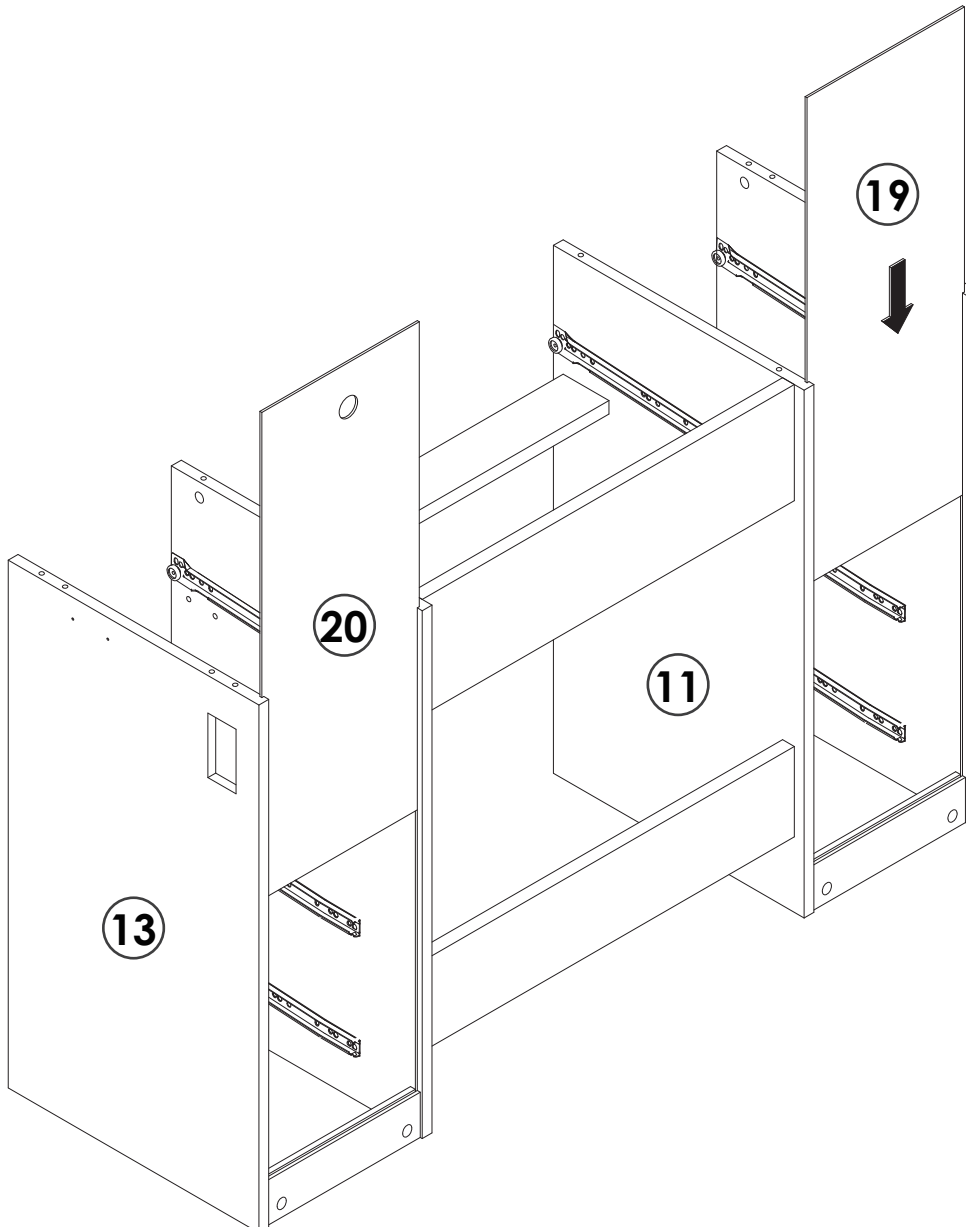
12



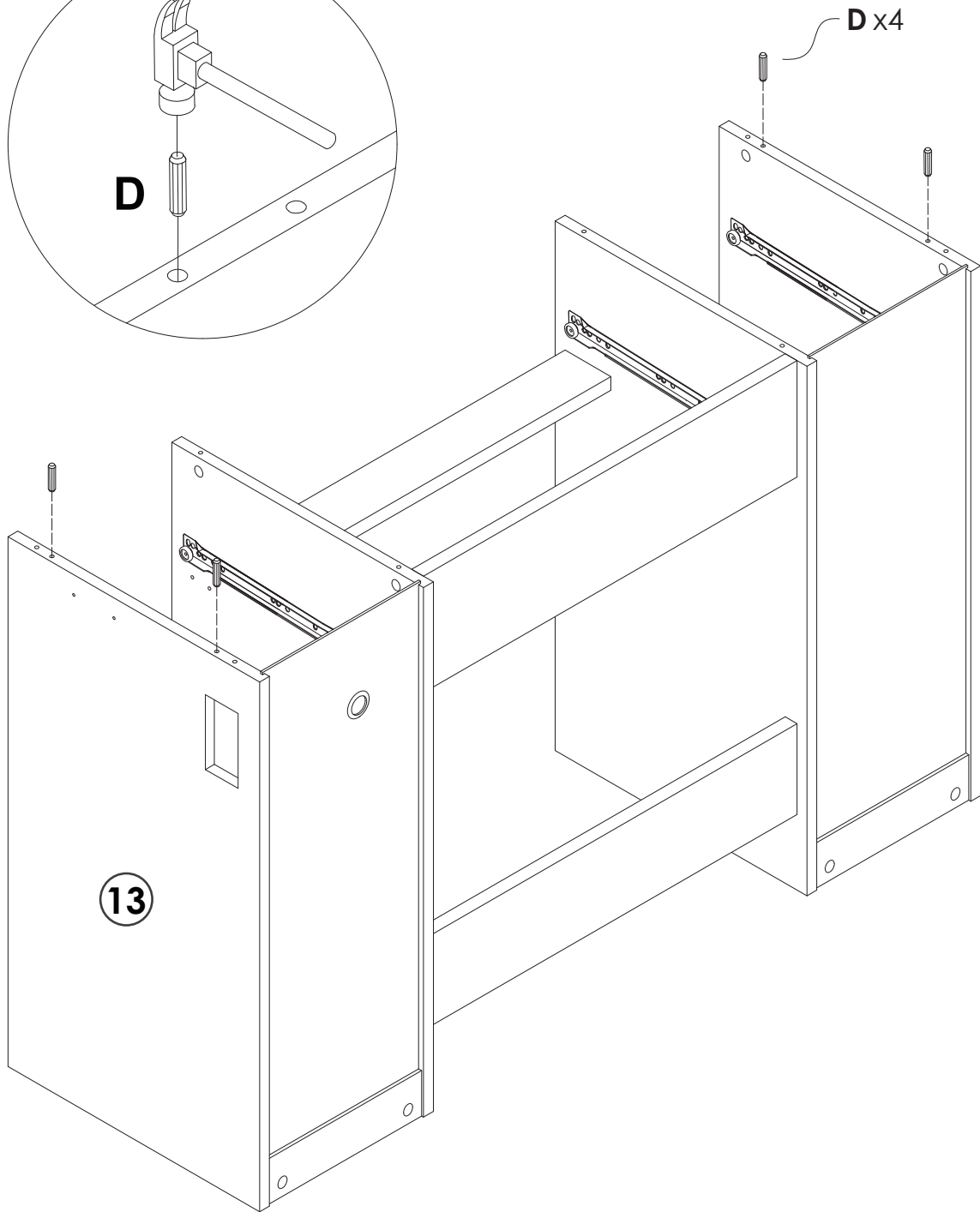
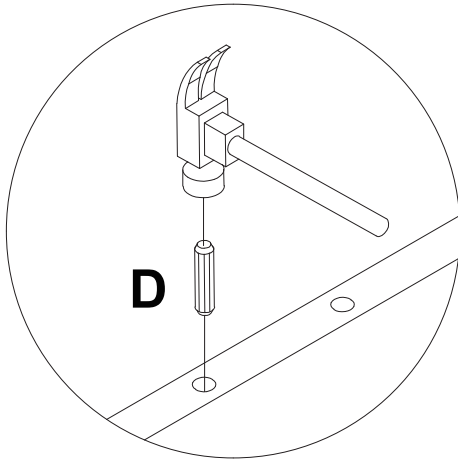
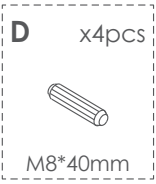
13



14



15



16

C x2pcs

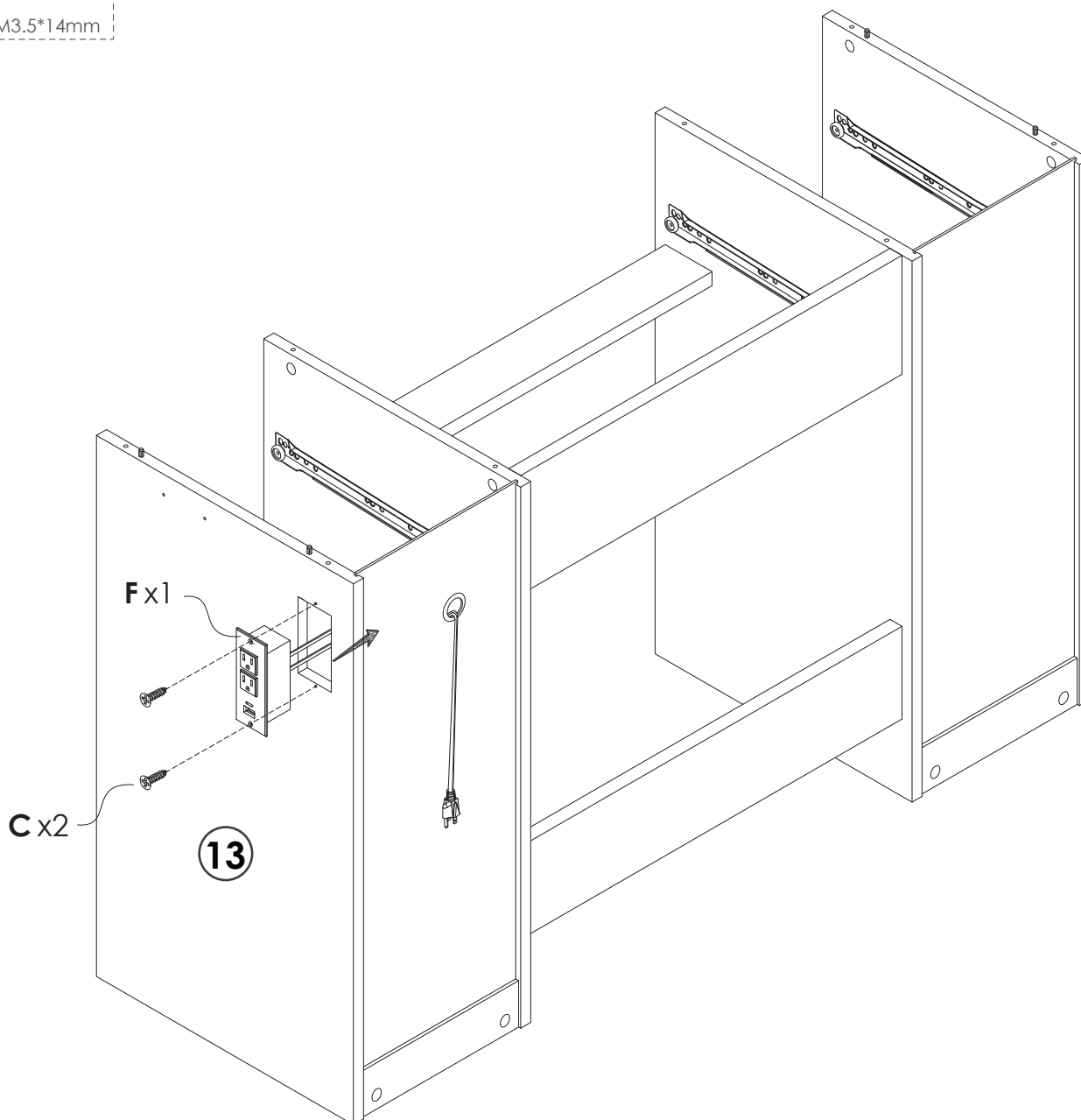


M3.5*14mm

F x1pc



M3.5*14mm



17

A x8pcs

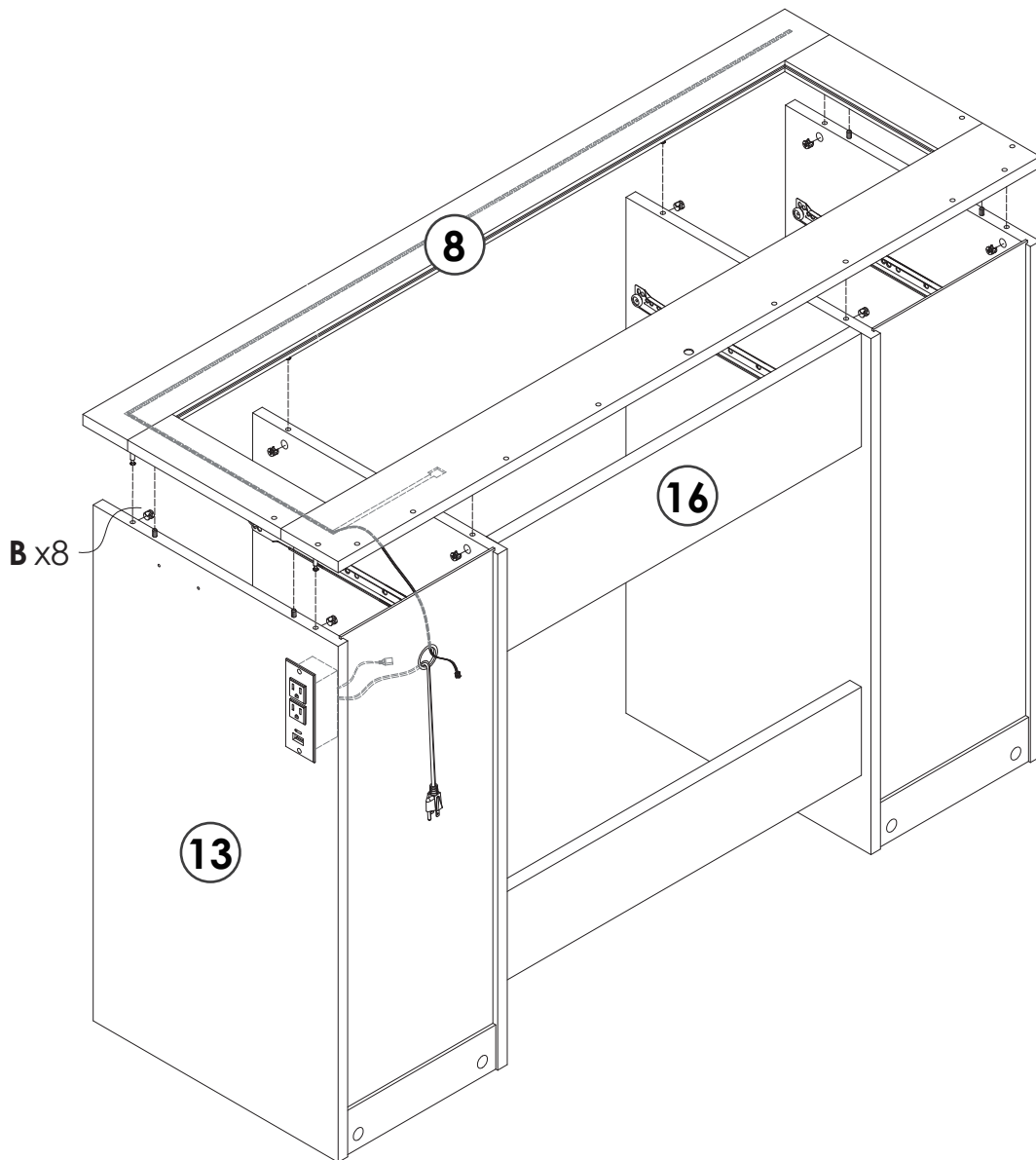
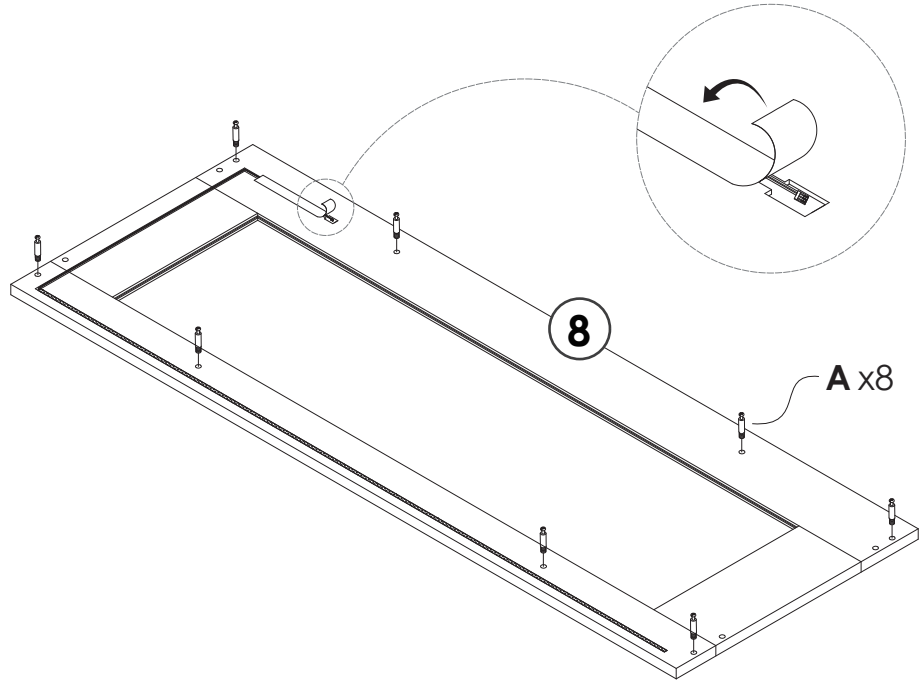


M6*40mm



B x8pcs




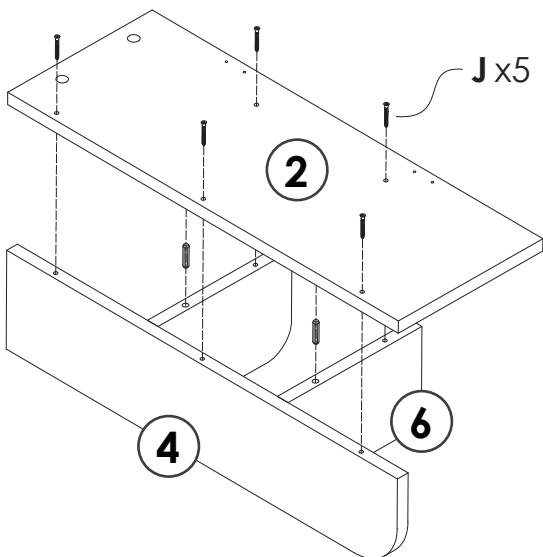
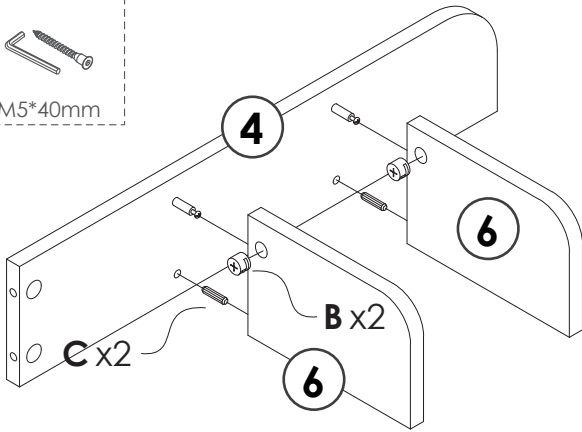
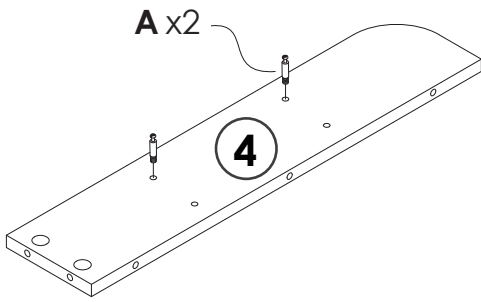
M15*11mm



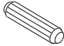



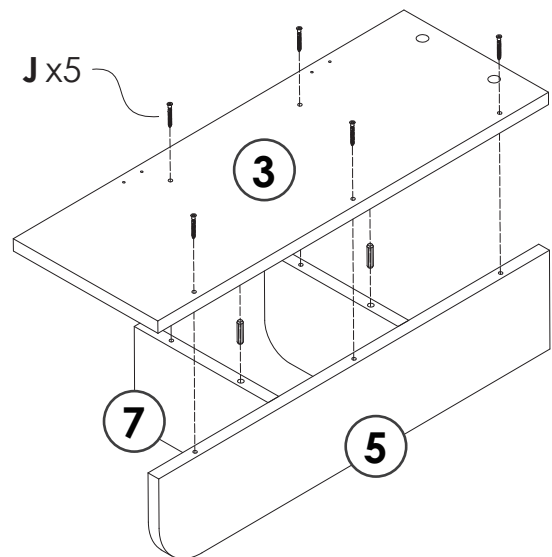
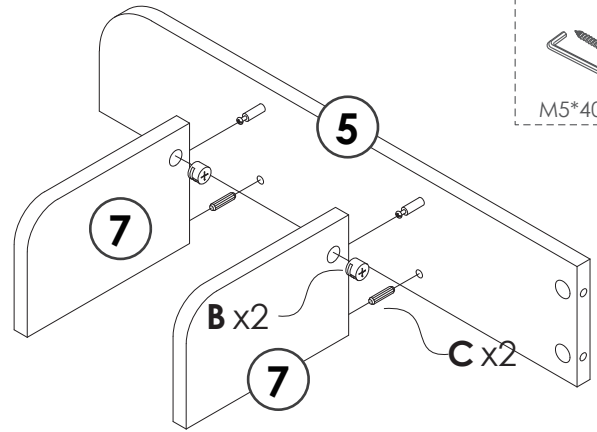
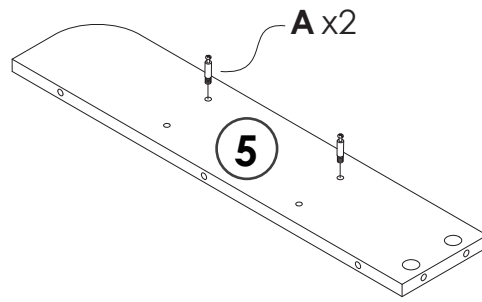
18

- A** x2pcs

 M6*40mm
- B** x2pcs

 M15*11mm
- D** x4pcs

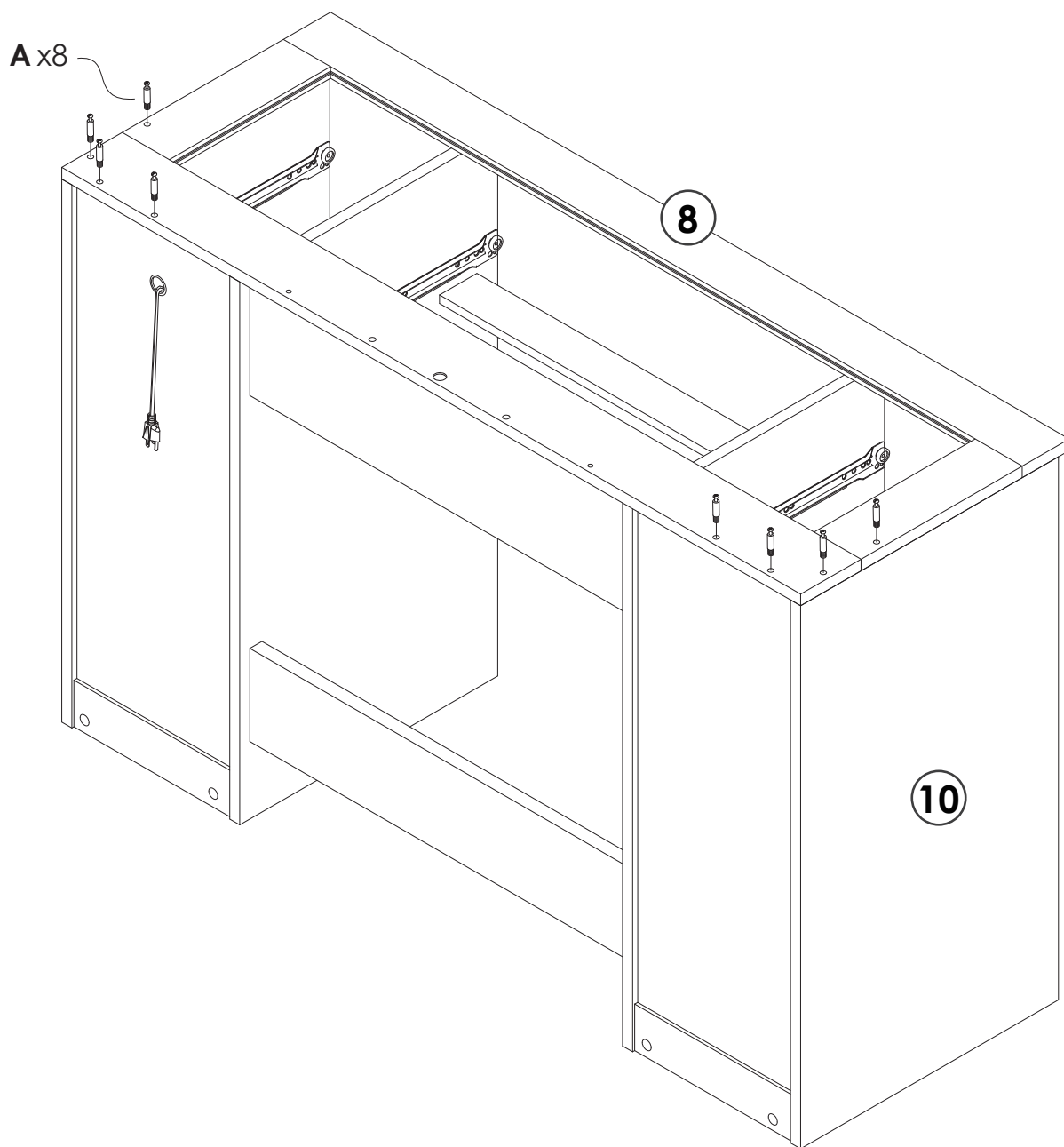
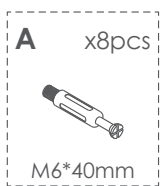
 M8*40mm
- J** x5pcs

 M5*40mm




- A** x2pcs

 M6*40mm
- B** x2pcs

 M15*11mm
- D** x4pcs

 M8*40mm
- J** x5pcs

 M5*40mm

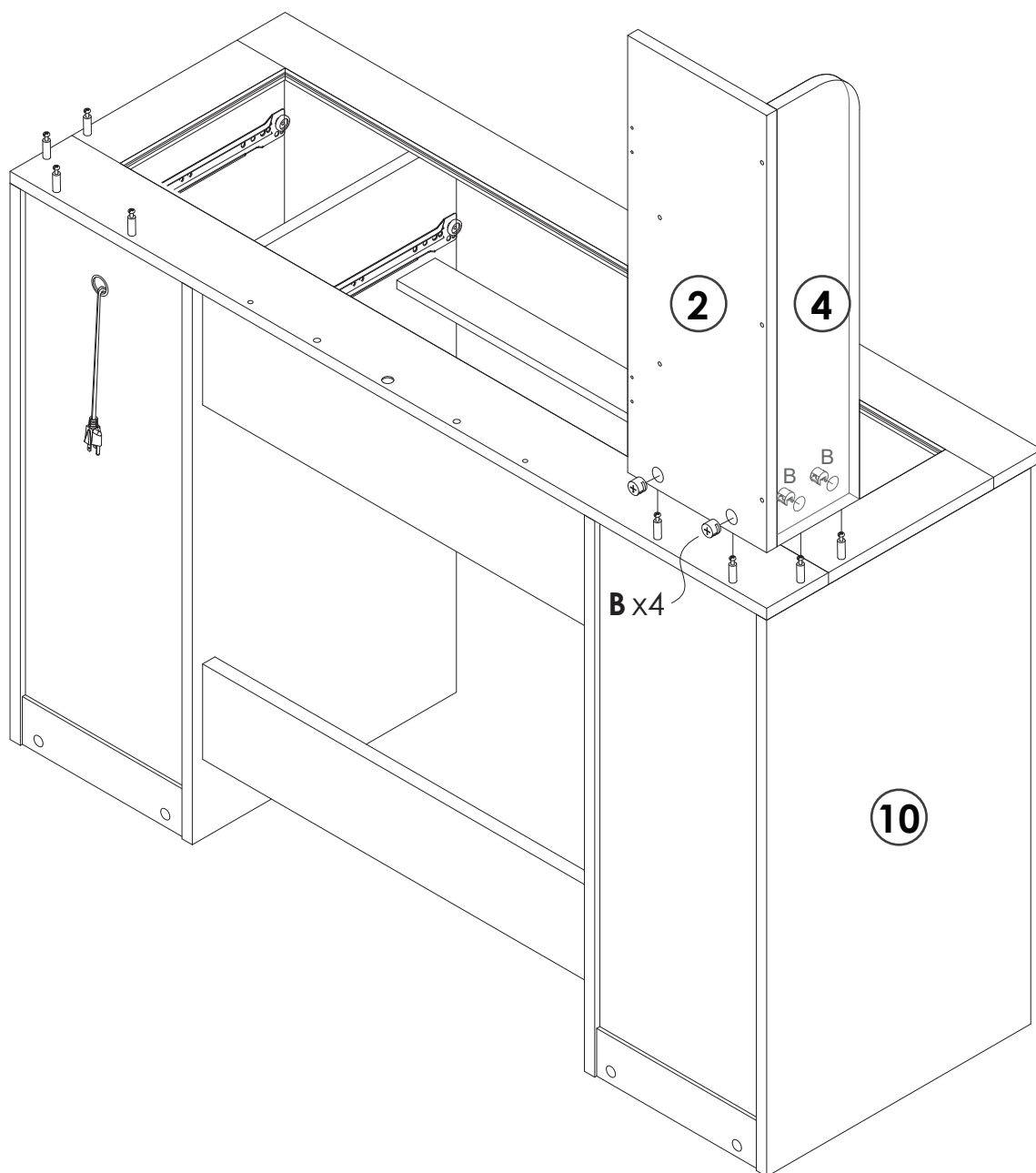


19

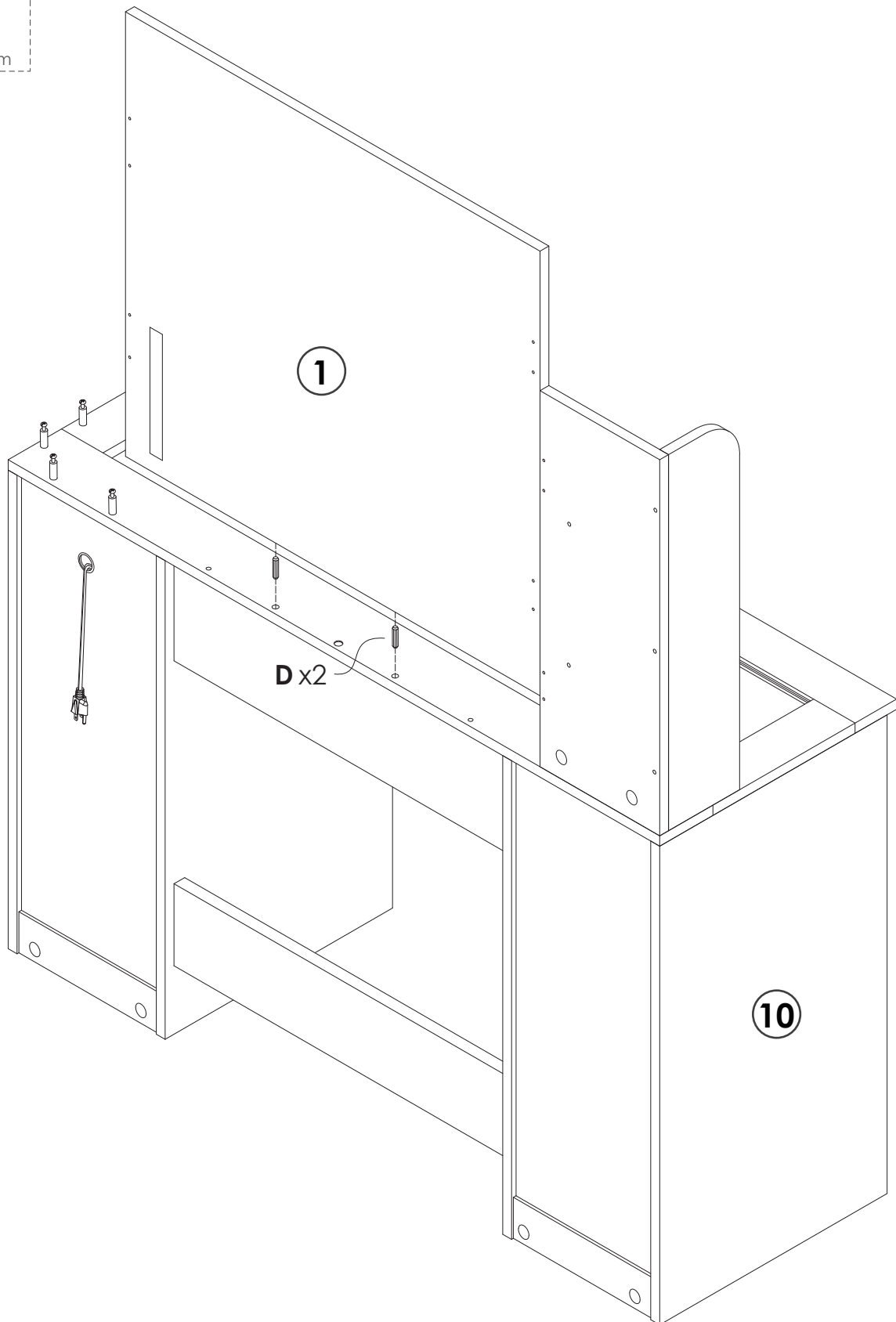
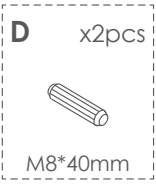


20

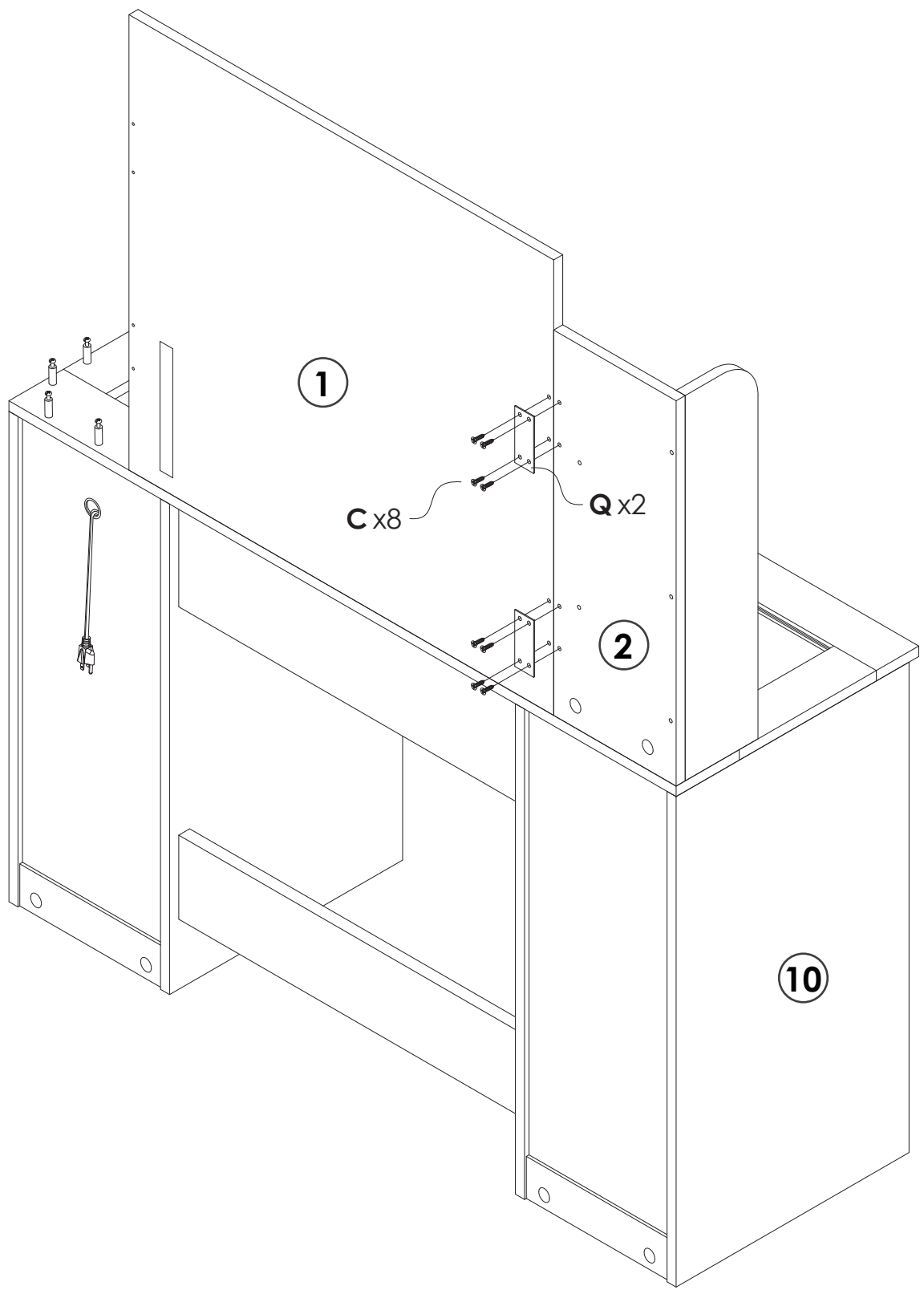
B x4pcs

M15*11mm



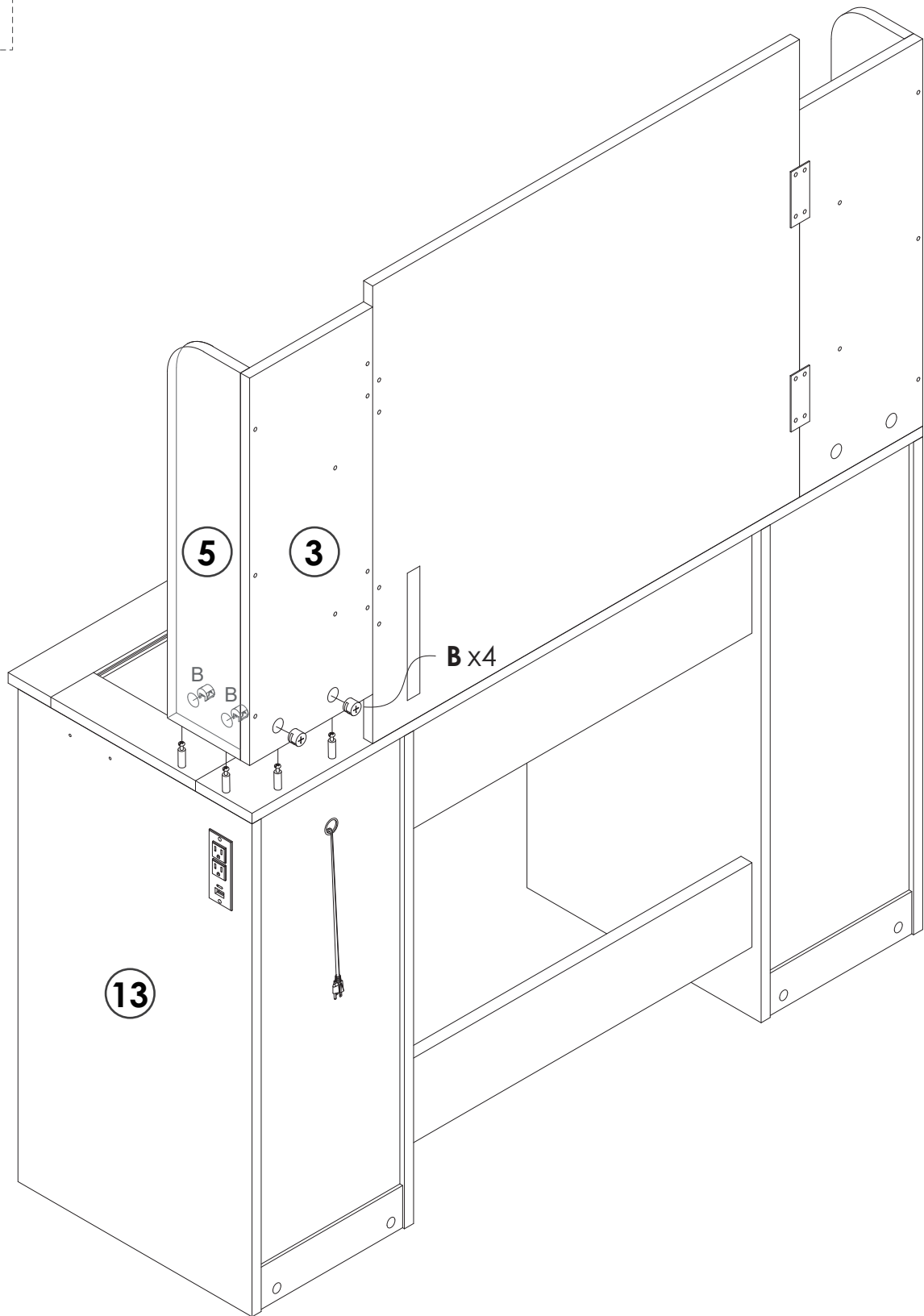
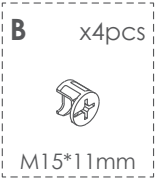
21



22



23



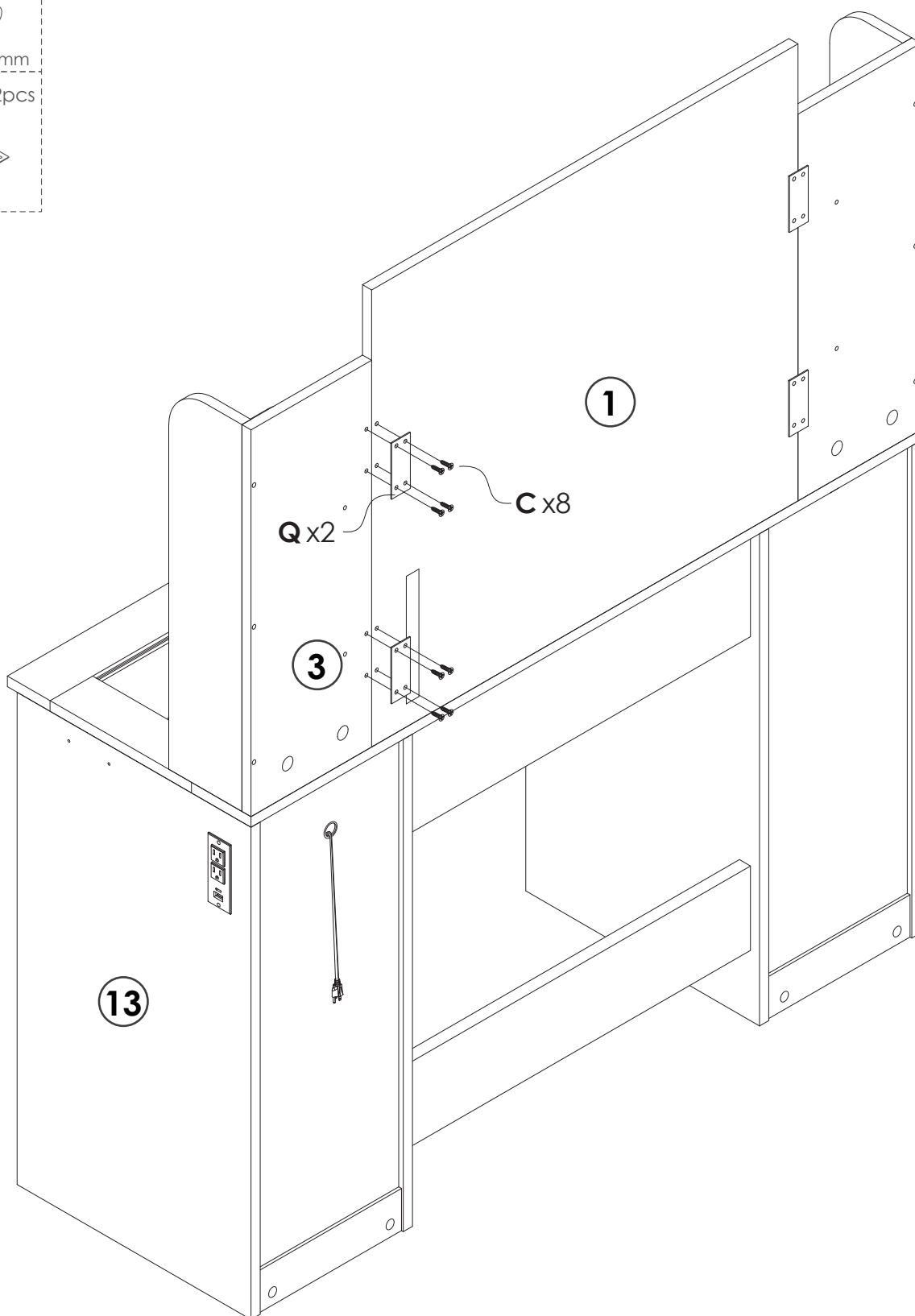
24

C x8pcs



M3.5*14mm

Q x2pcs

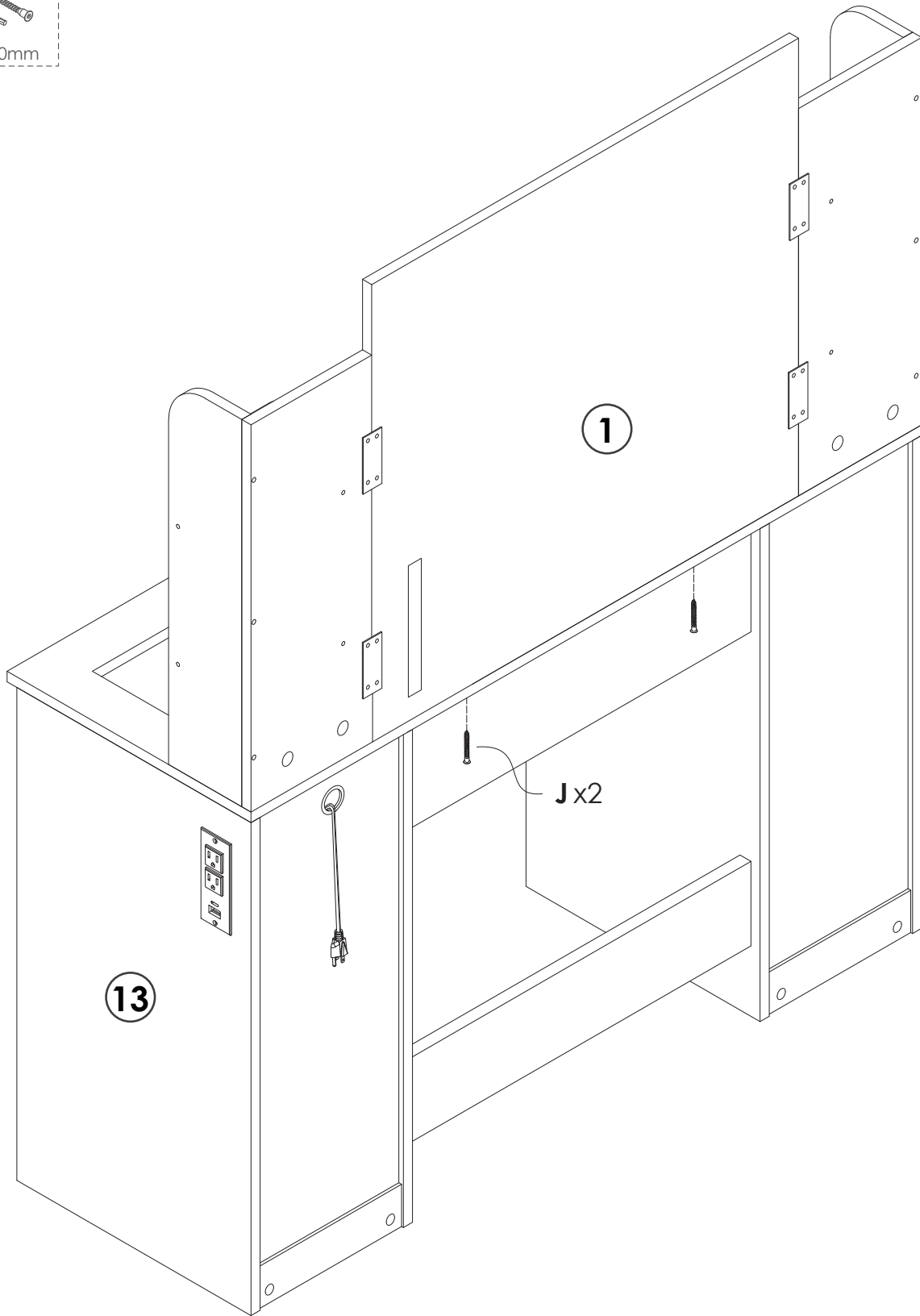


25

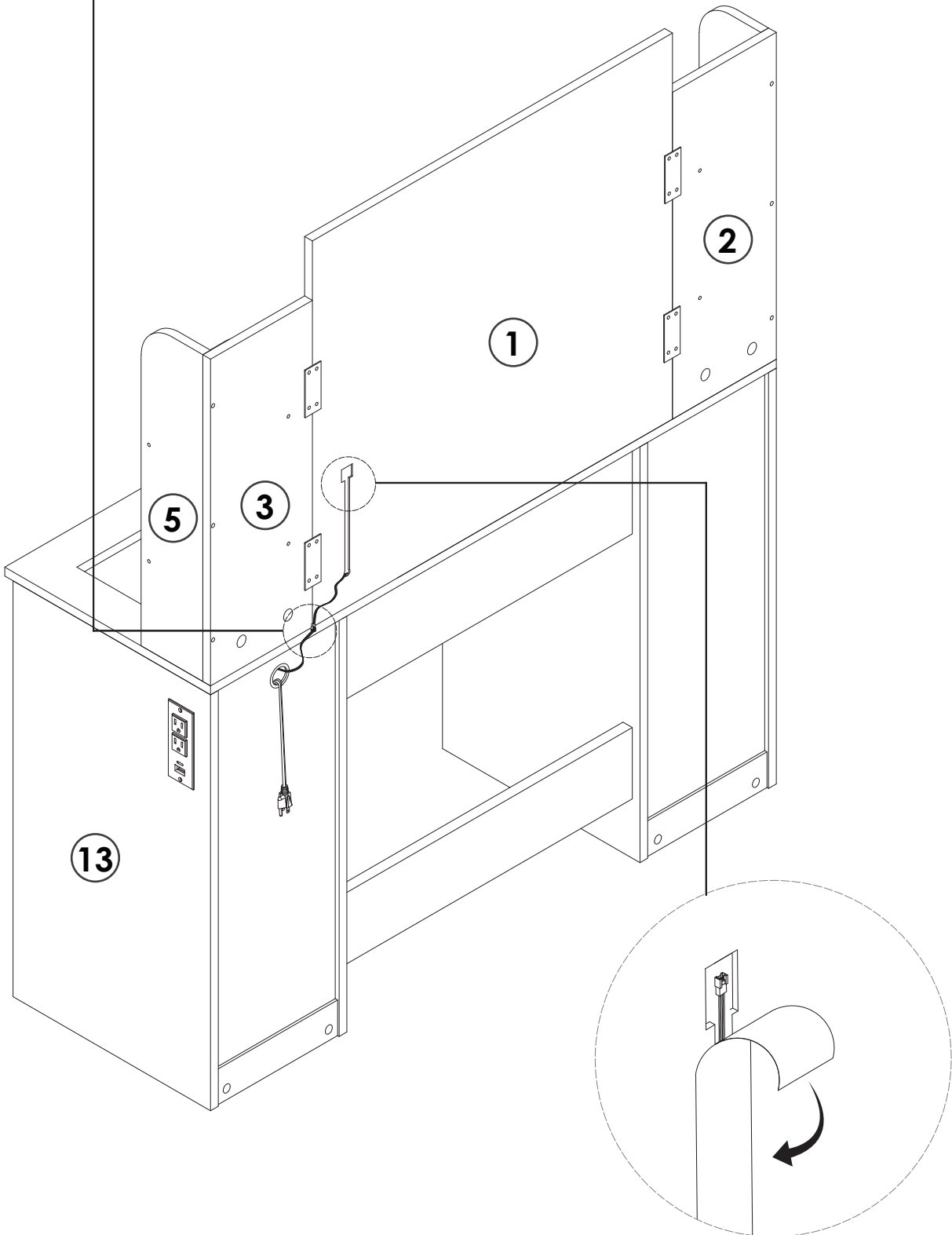
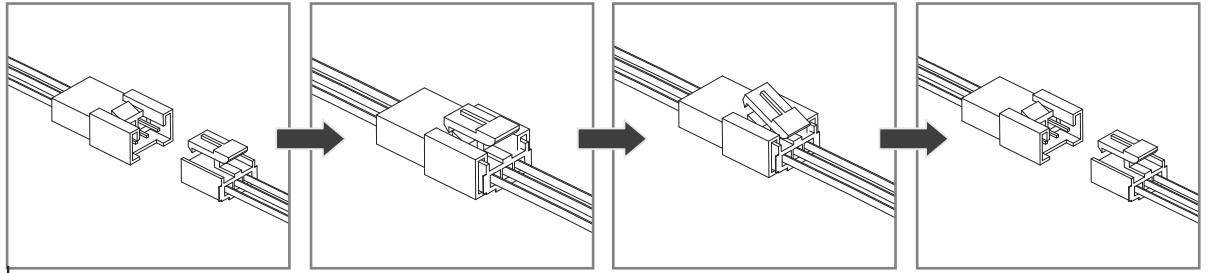
J x2pcs



M5*40mm

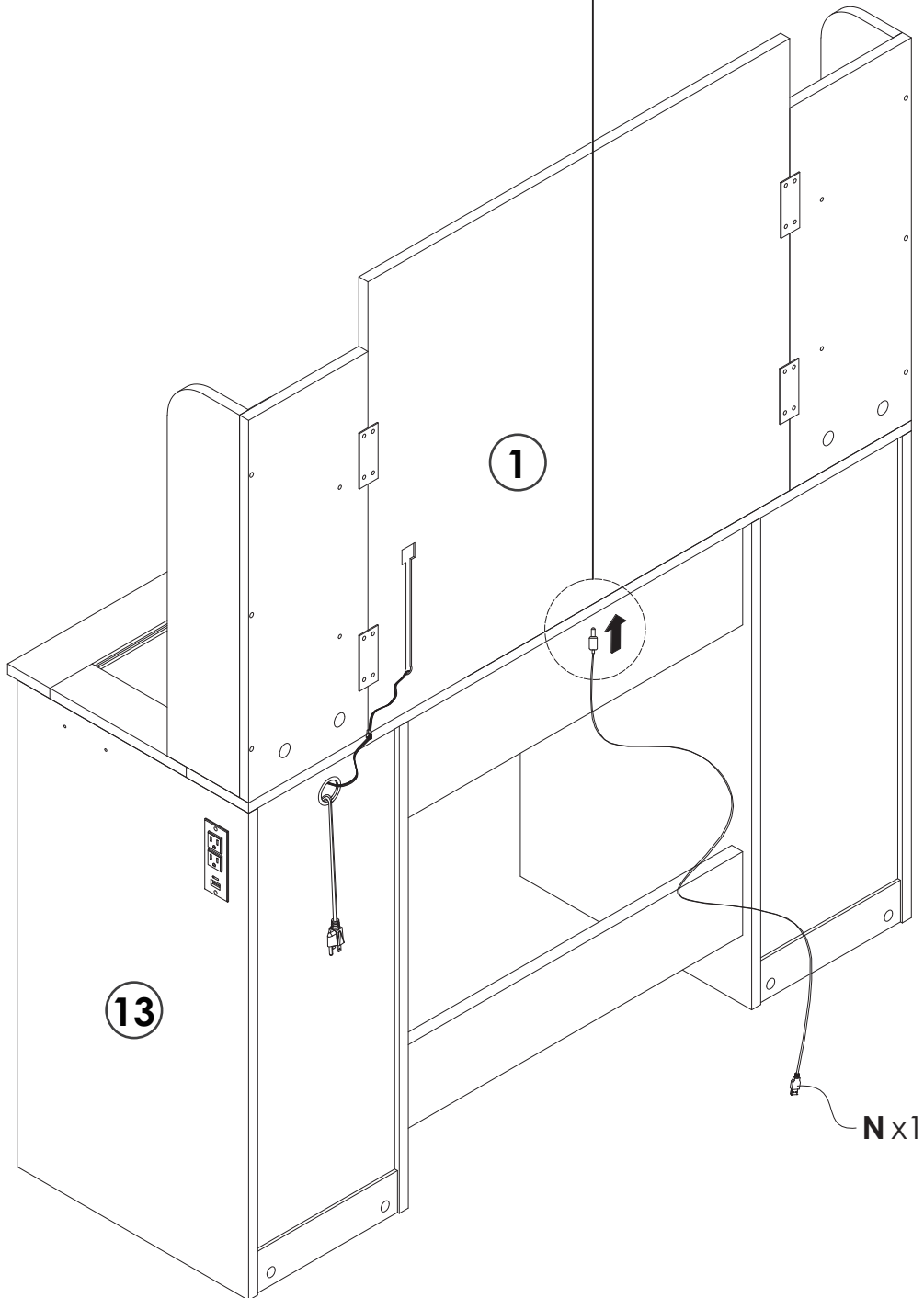
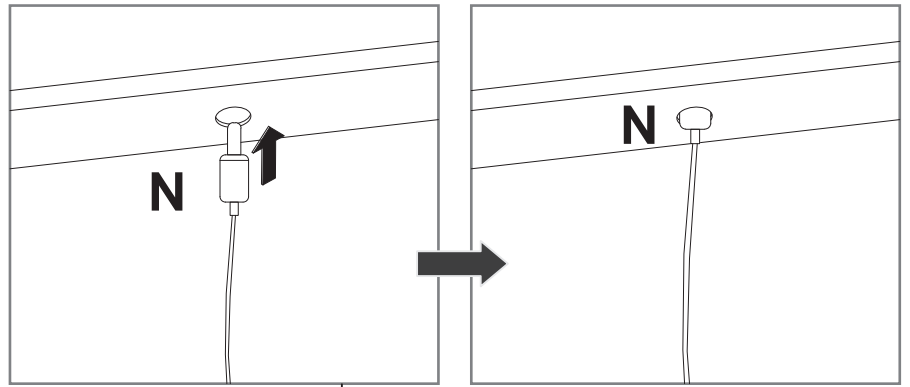


26

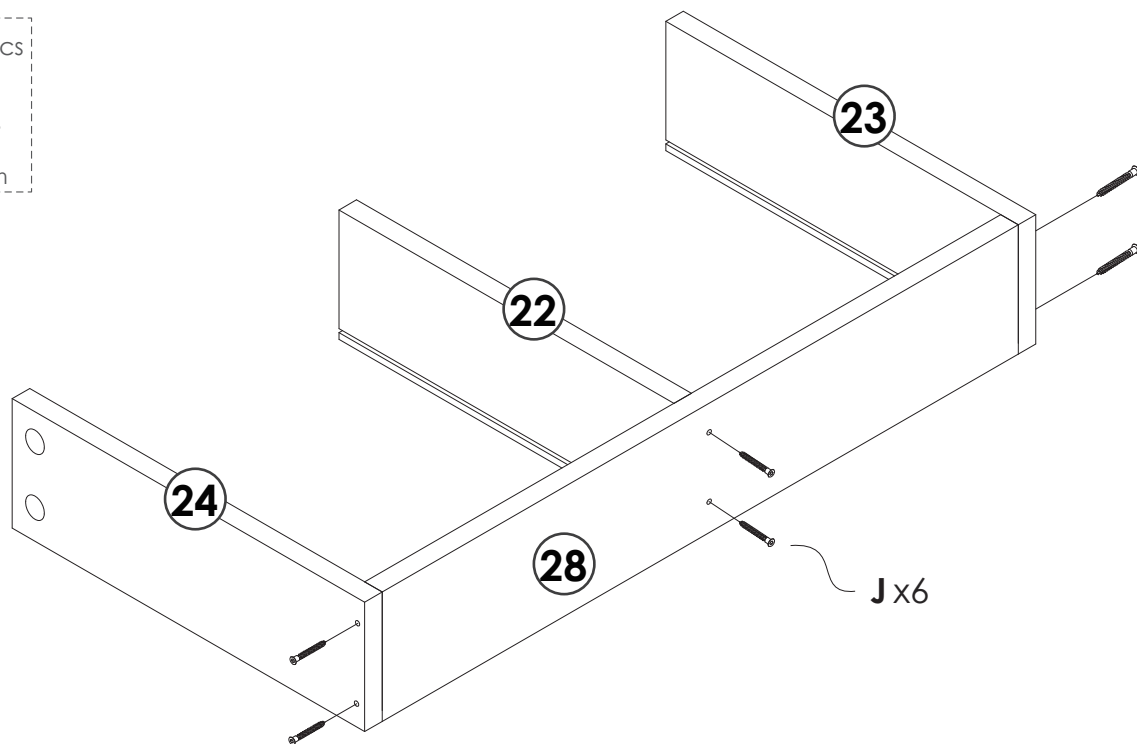
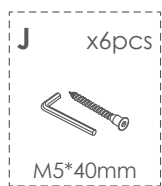


27

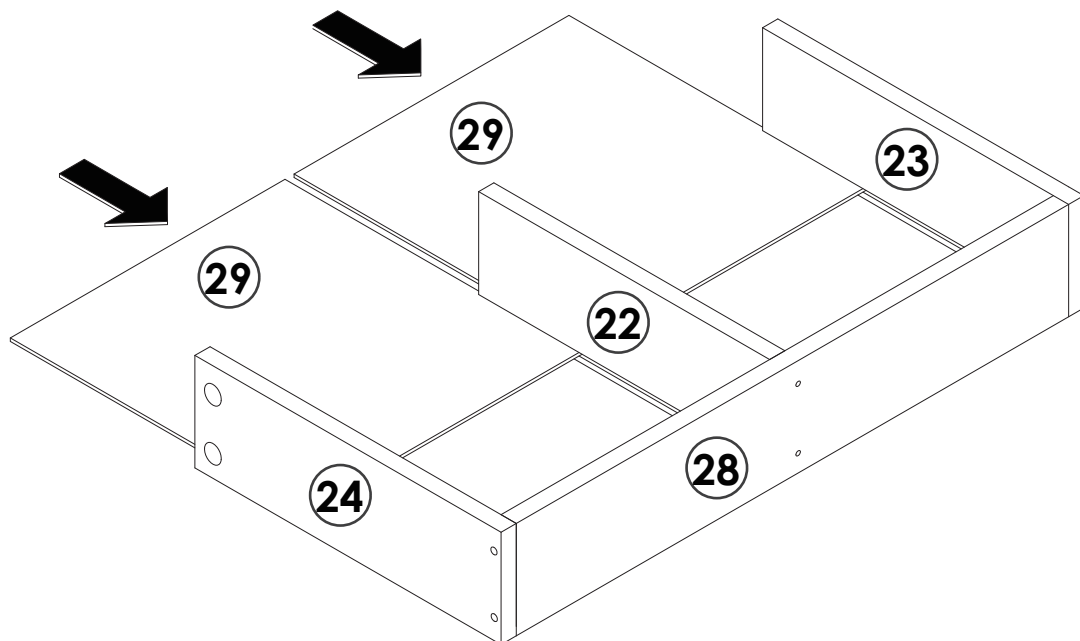
N x1pc



28



29



30

E x1pcs



R x2pcs

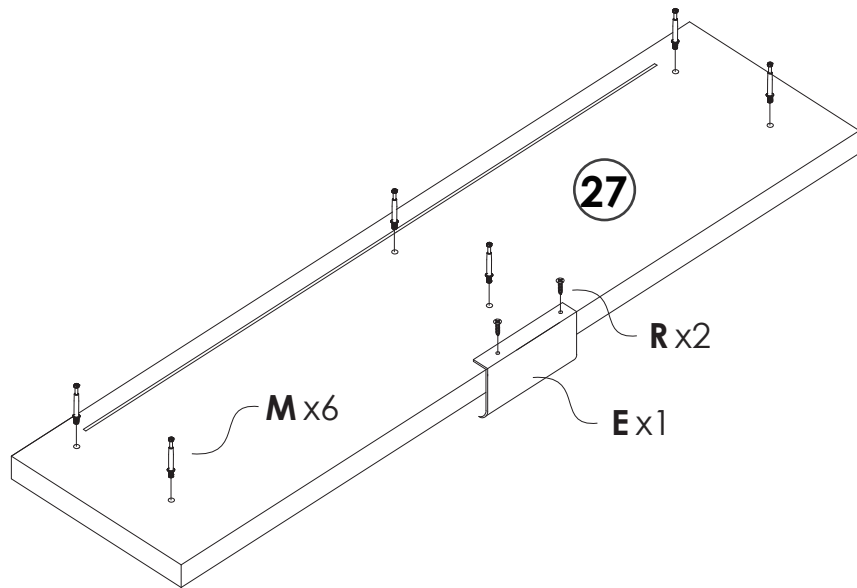


M3*12mm

M x6pcs



M6*40mm

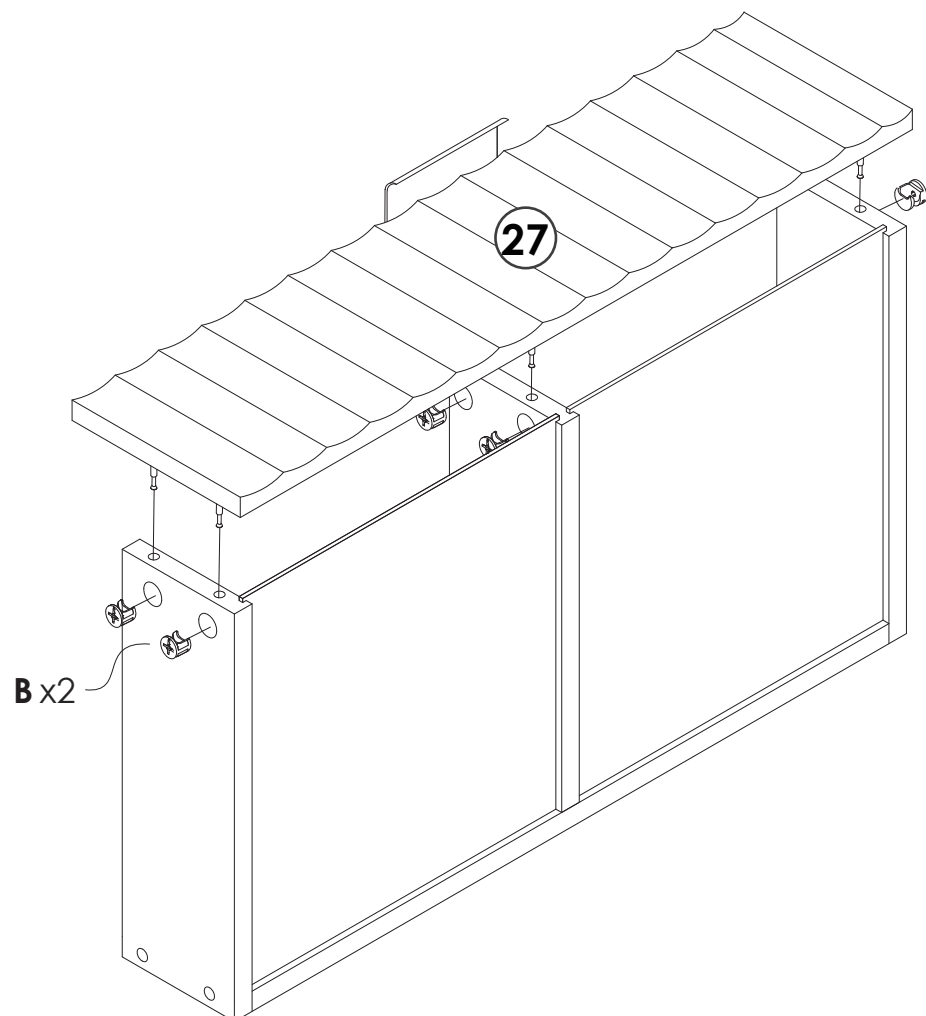


31

B x6pcs

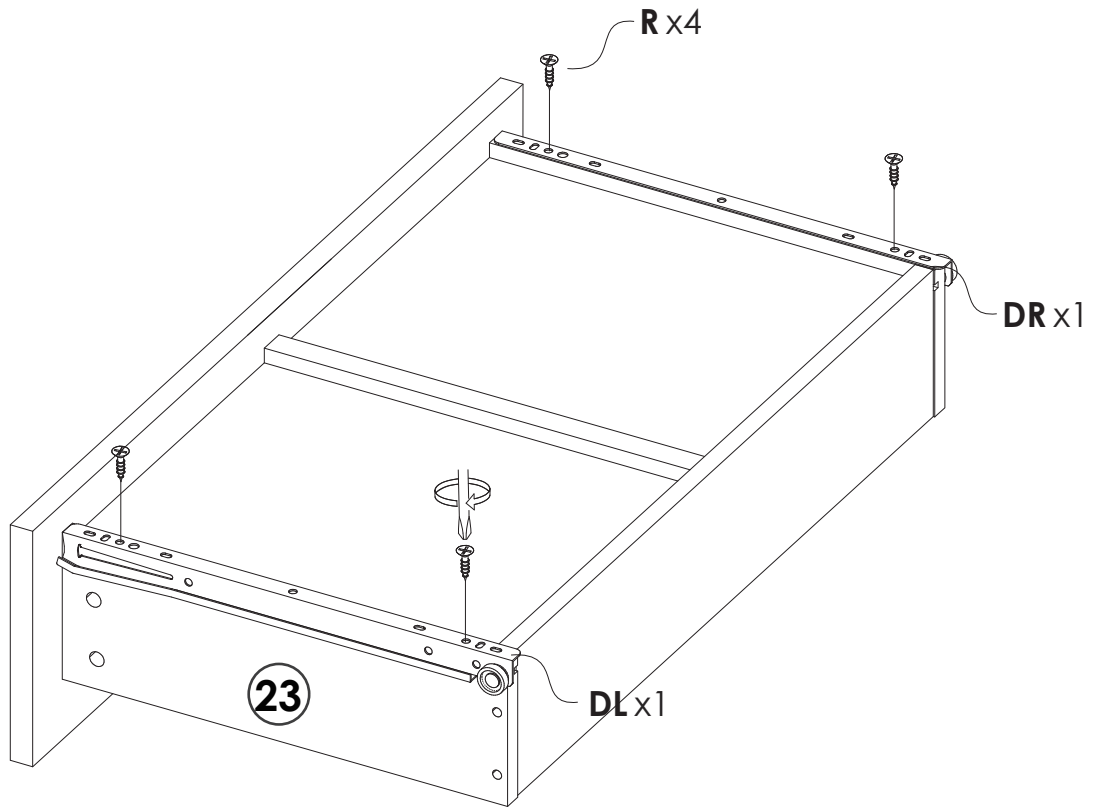


M15*11mm



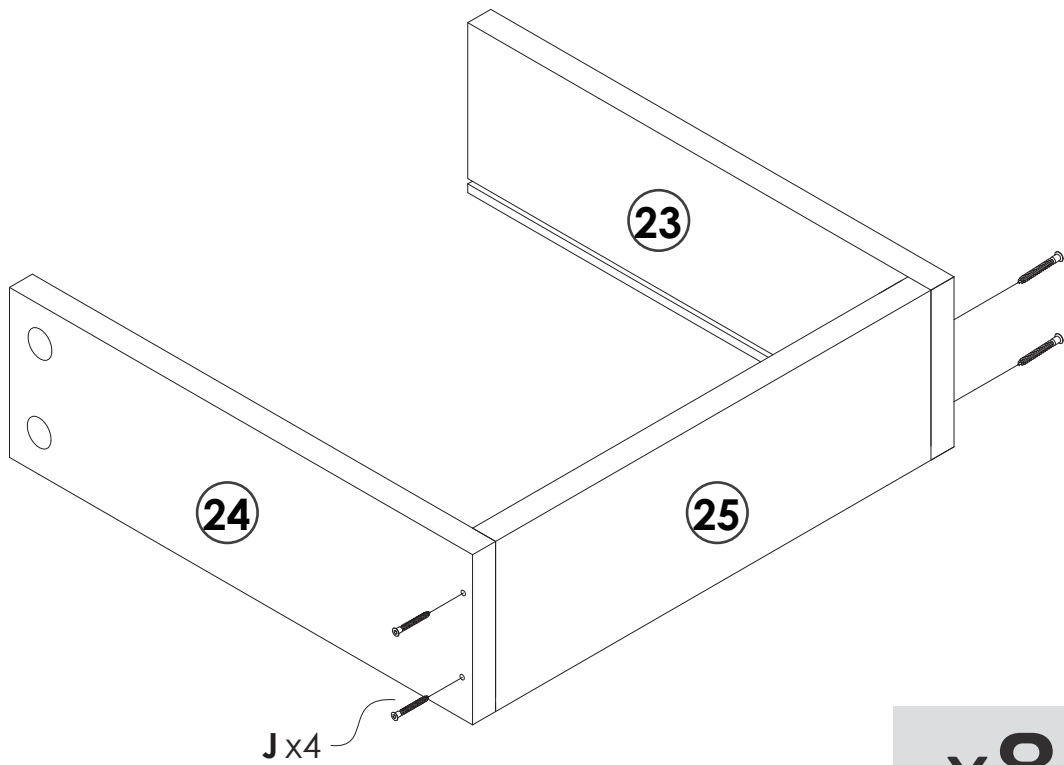
32

- G x1pc
DR
DL
12 inches
- R x4pcs
M3*12mm



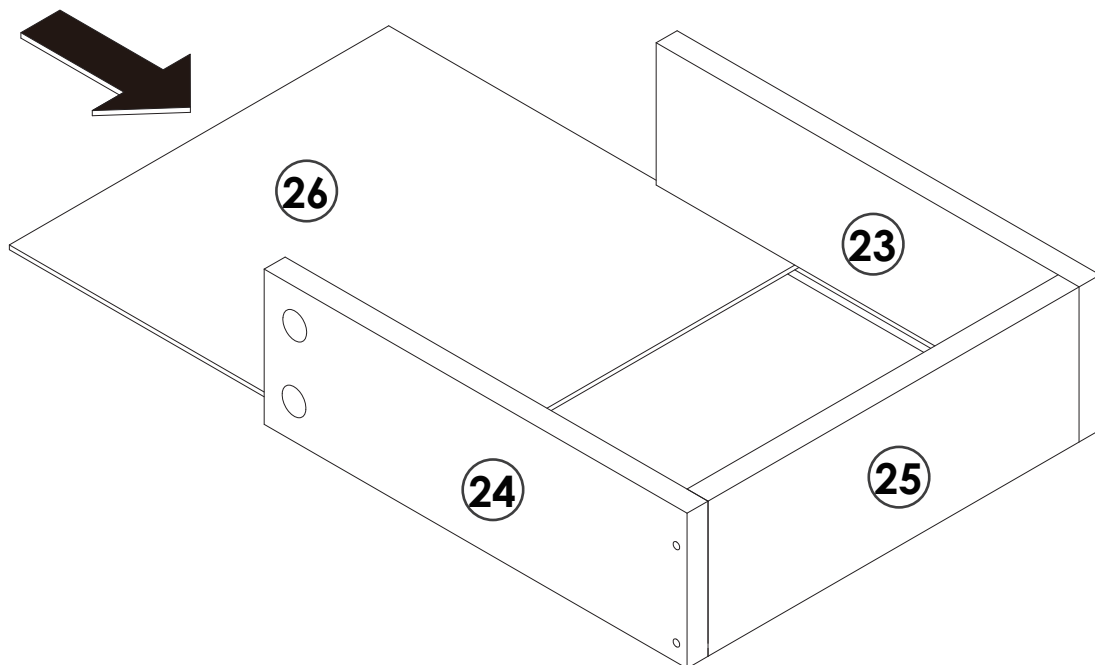
33

- J x32pcs
M5*40mm



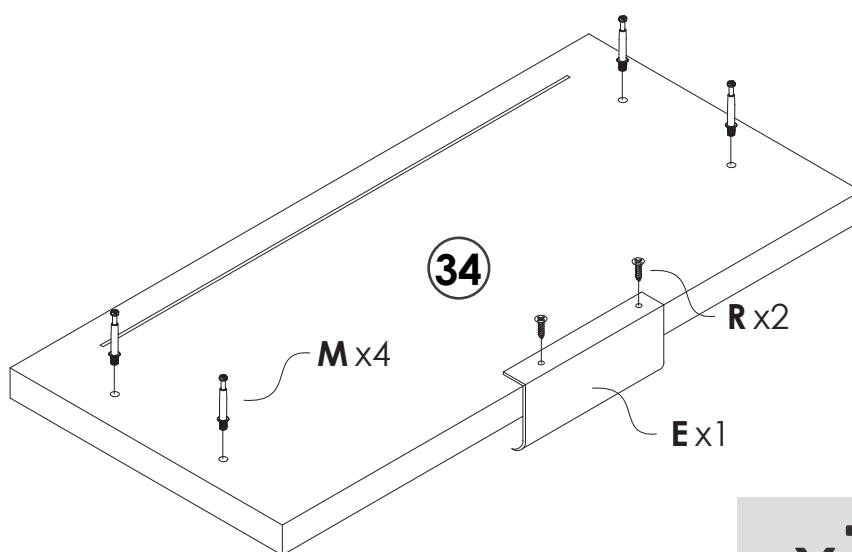
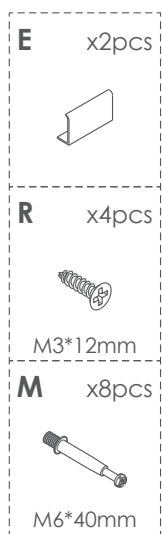
x8

34



x8

35



x2

36

E x2pcs



R x4pcs

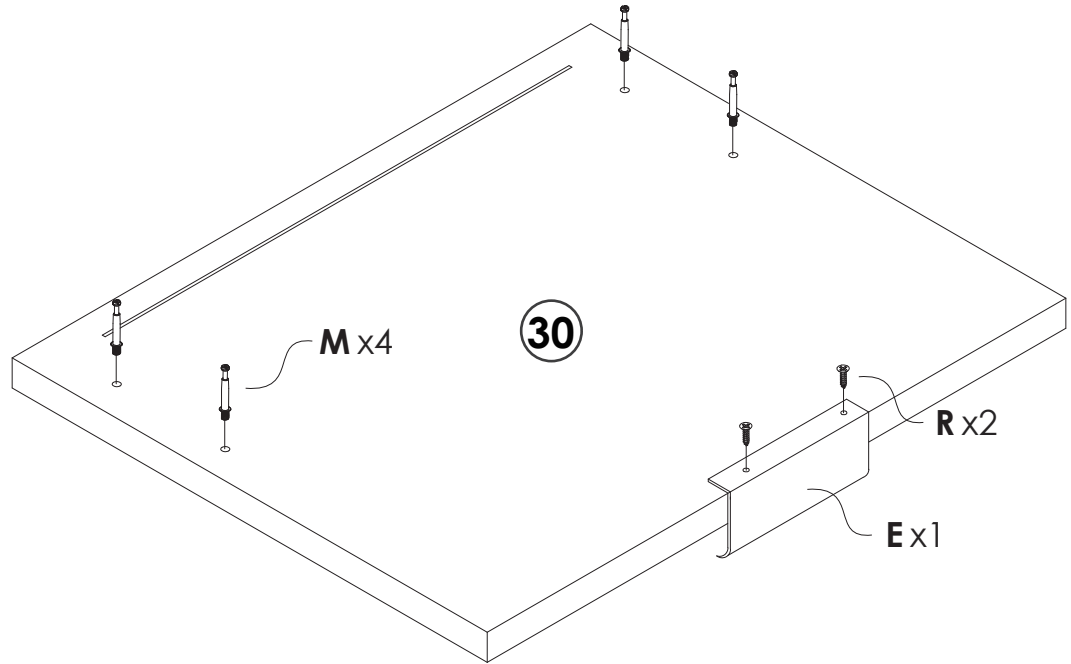


M3*12mm

M x8pcs



M6*40mm



x2

37

E x4pcs



R x8pcs

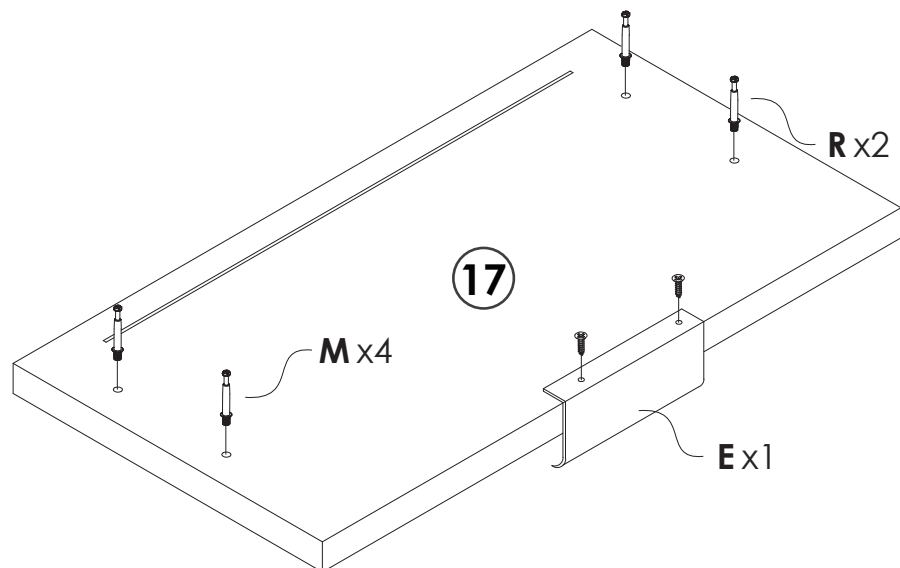


M3*12mm

M x16pcs

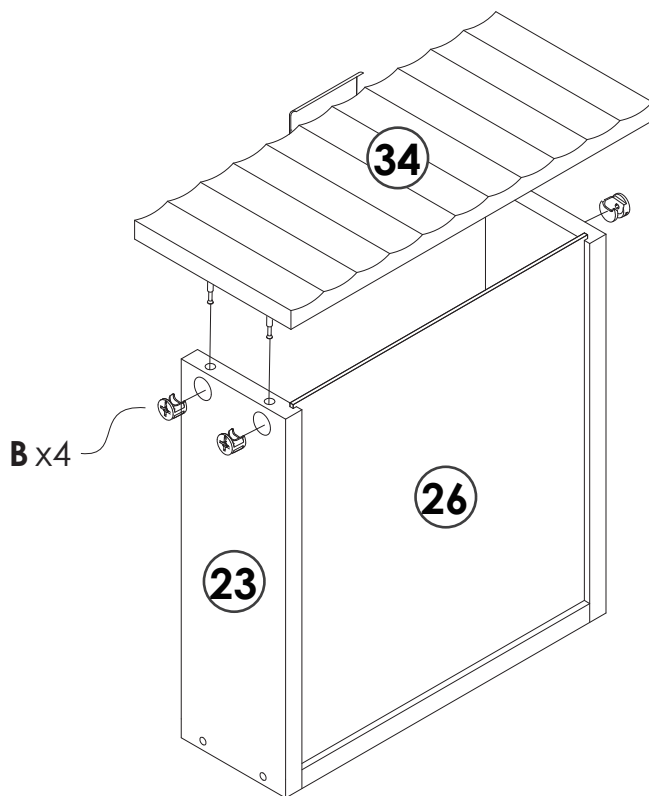
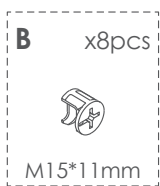


M6*40mm



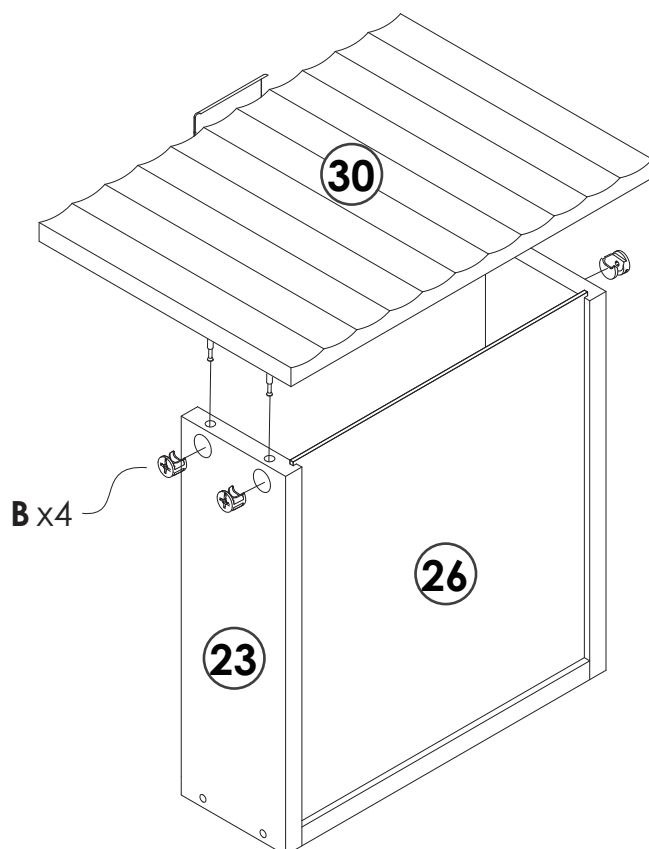
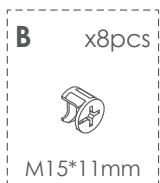
x4

38



x2

39



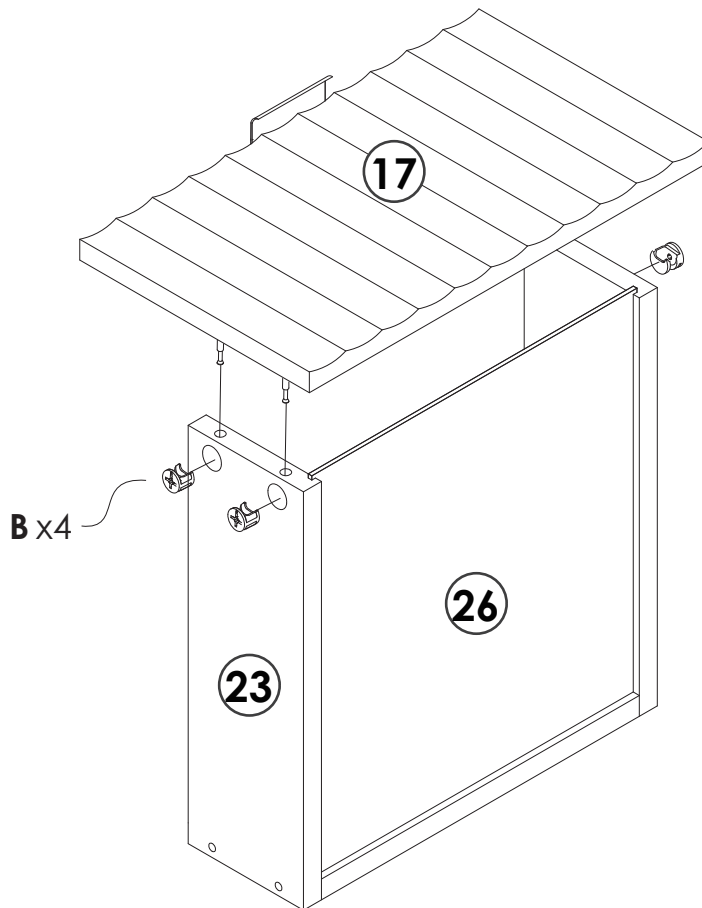
x2

40

B x16pcs



M15*11mm



x4

41

G x8pcs

DR

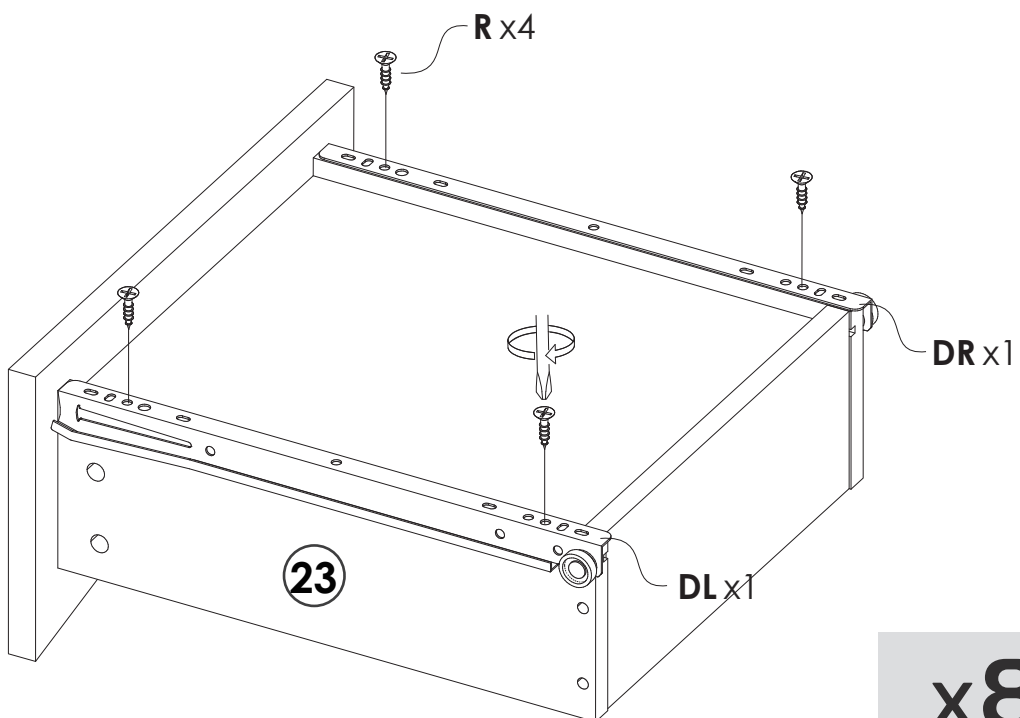
DL

12 inches

R x32pcs

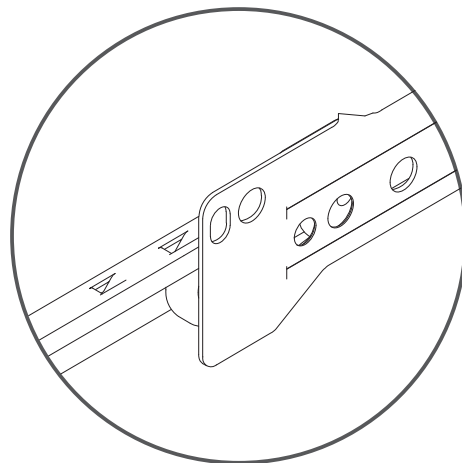
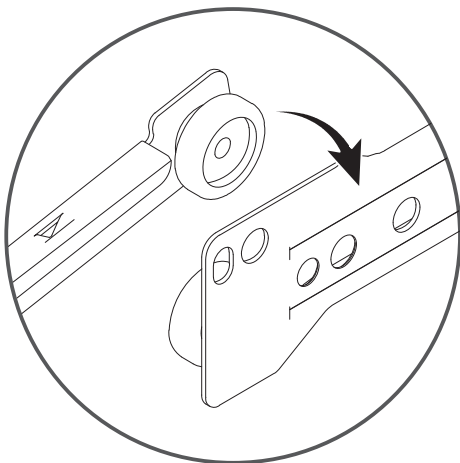
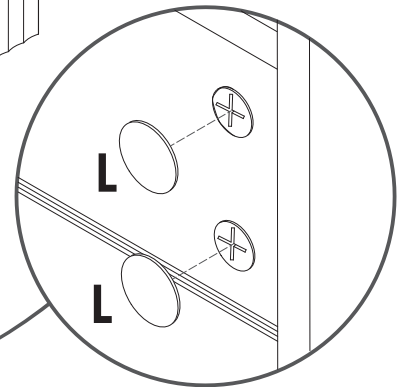
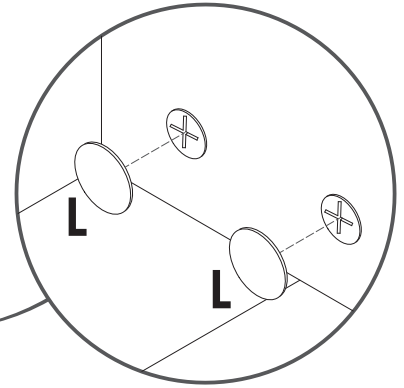
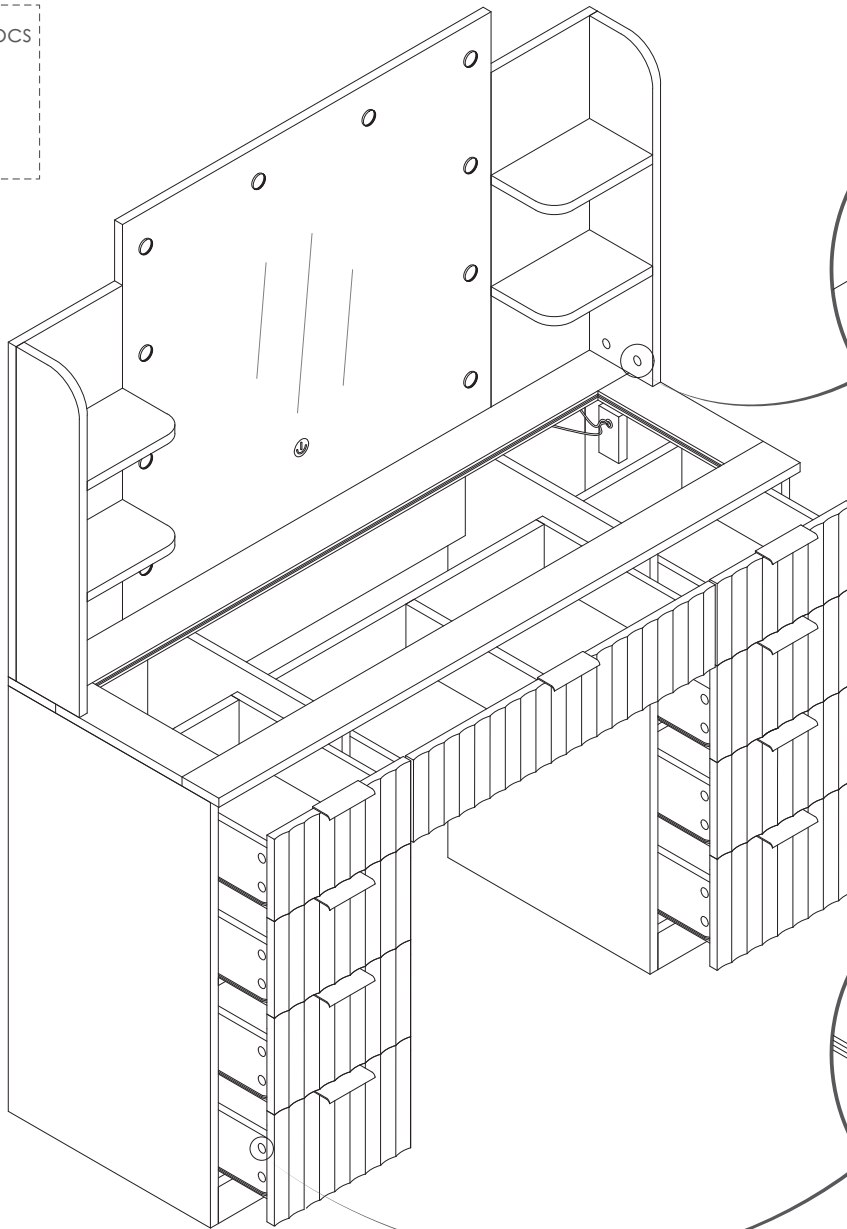
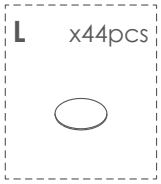


M3*12mm



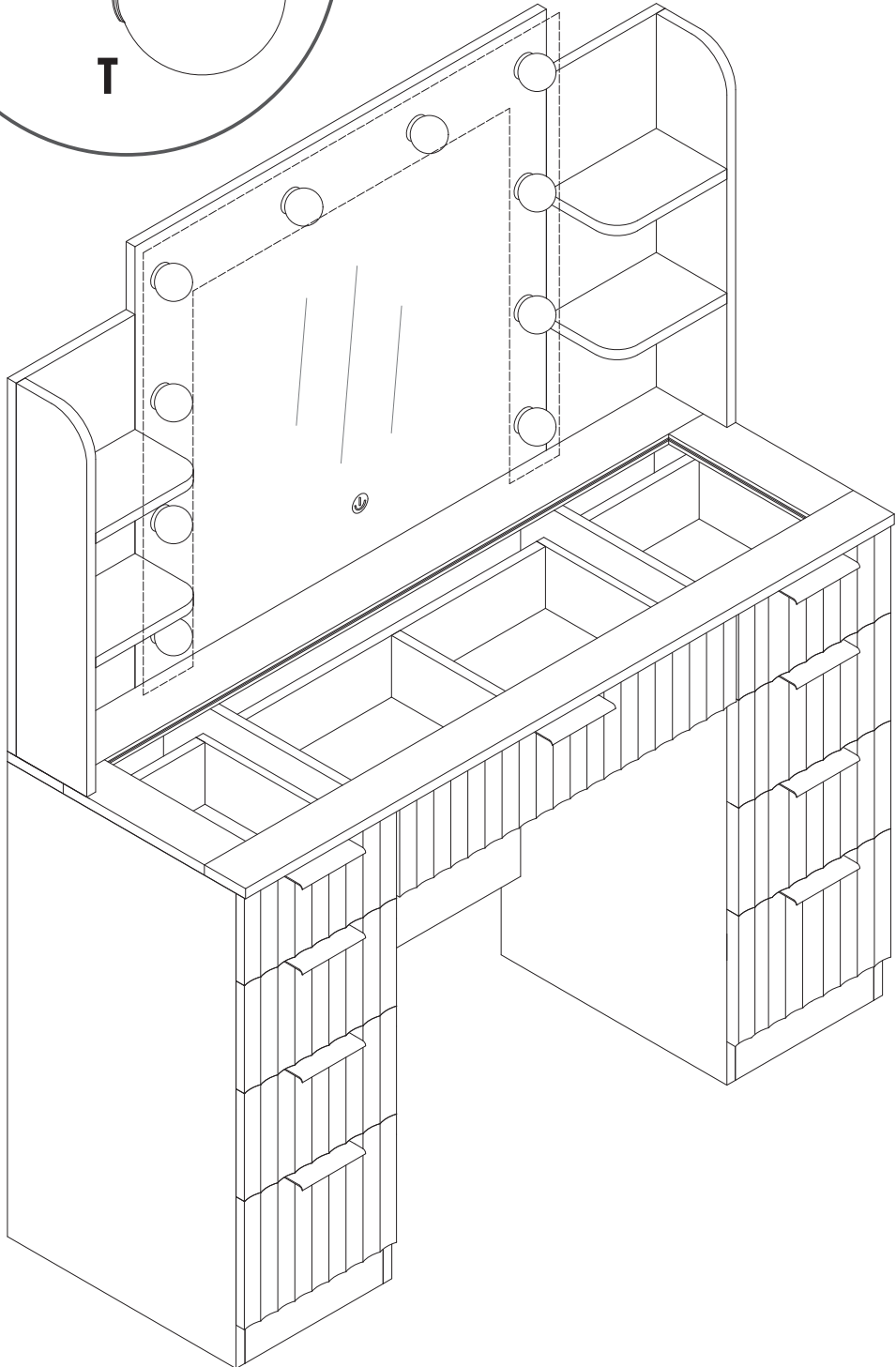
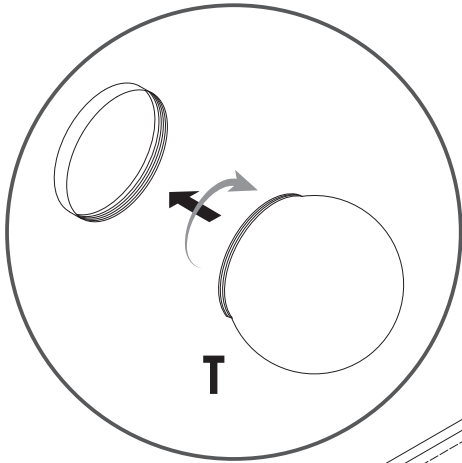
x8

42



43

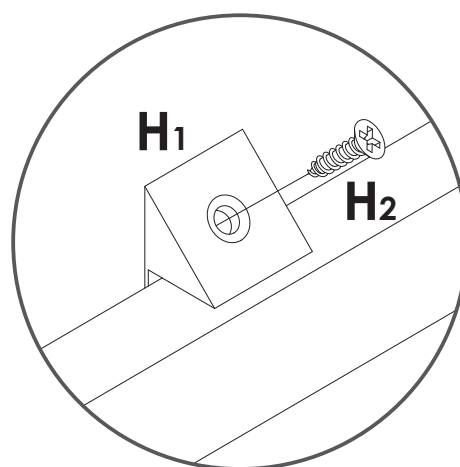
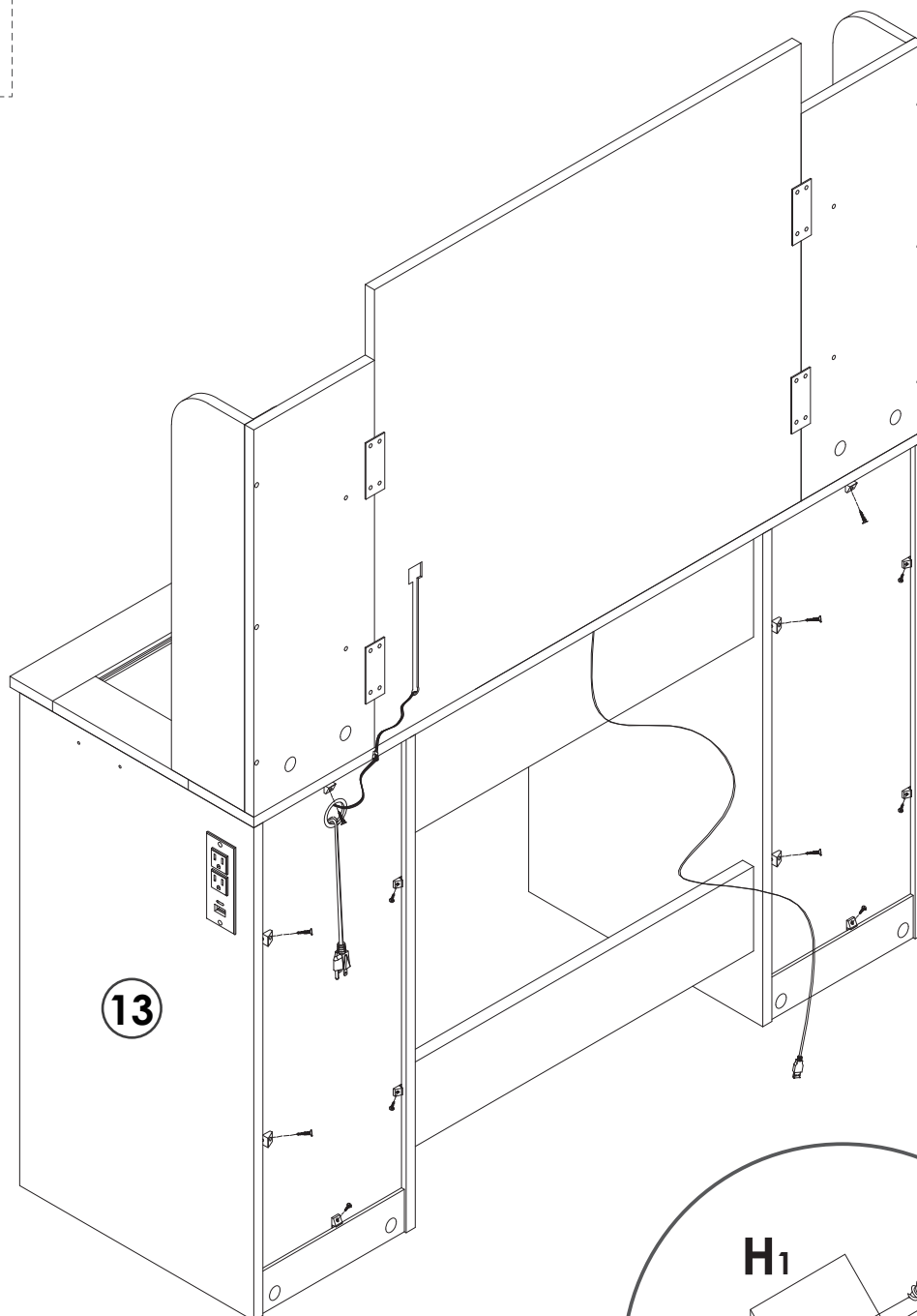
T x10pcs



44

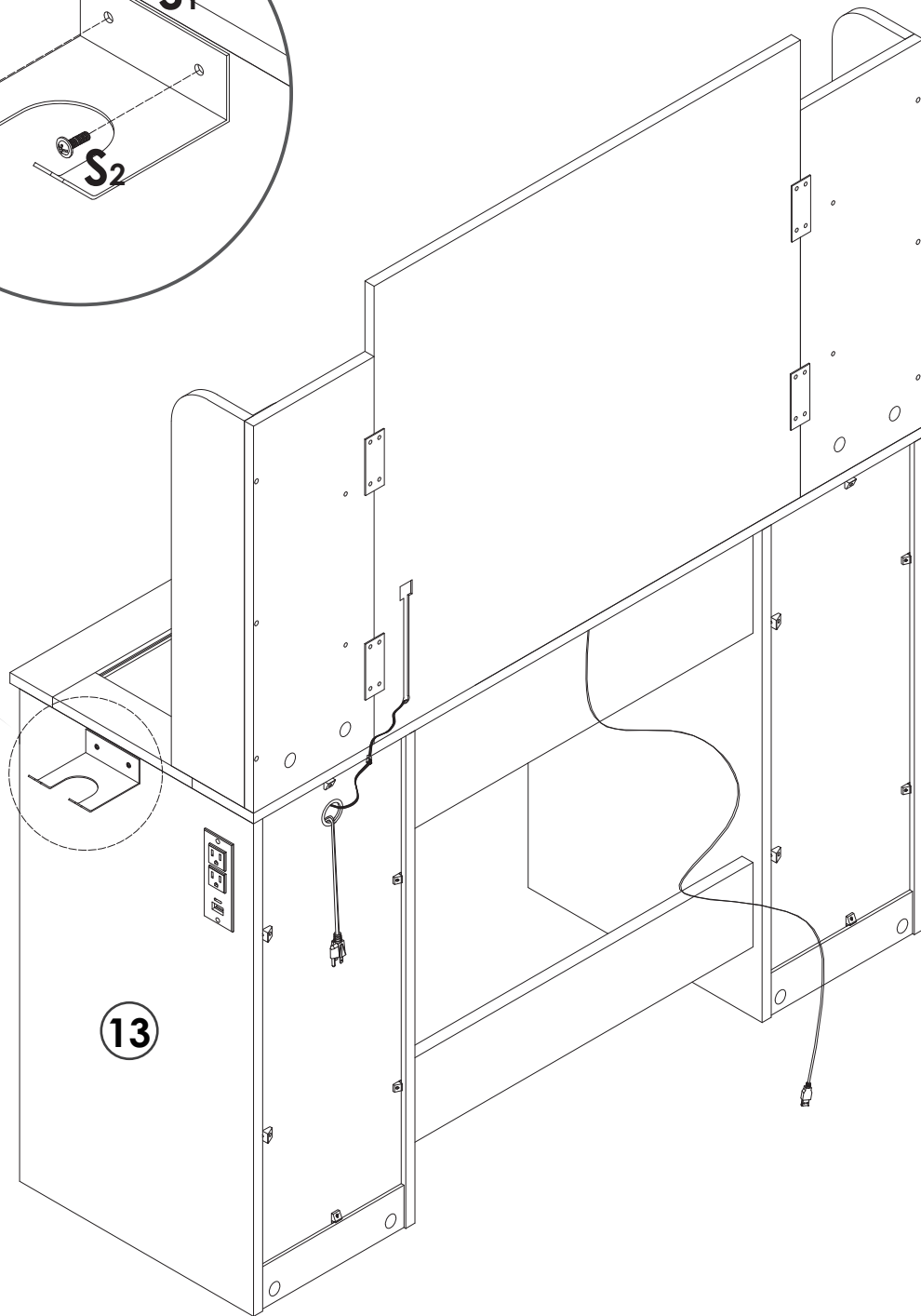
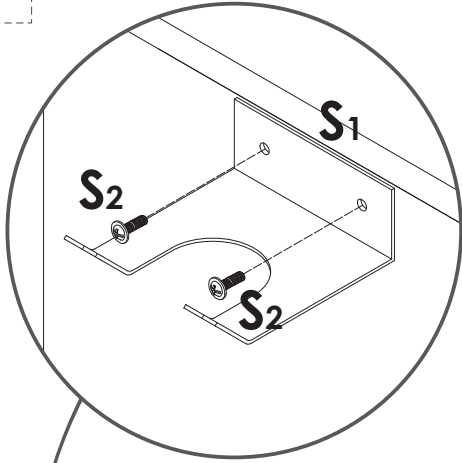
H x12pcs

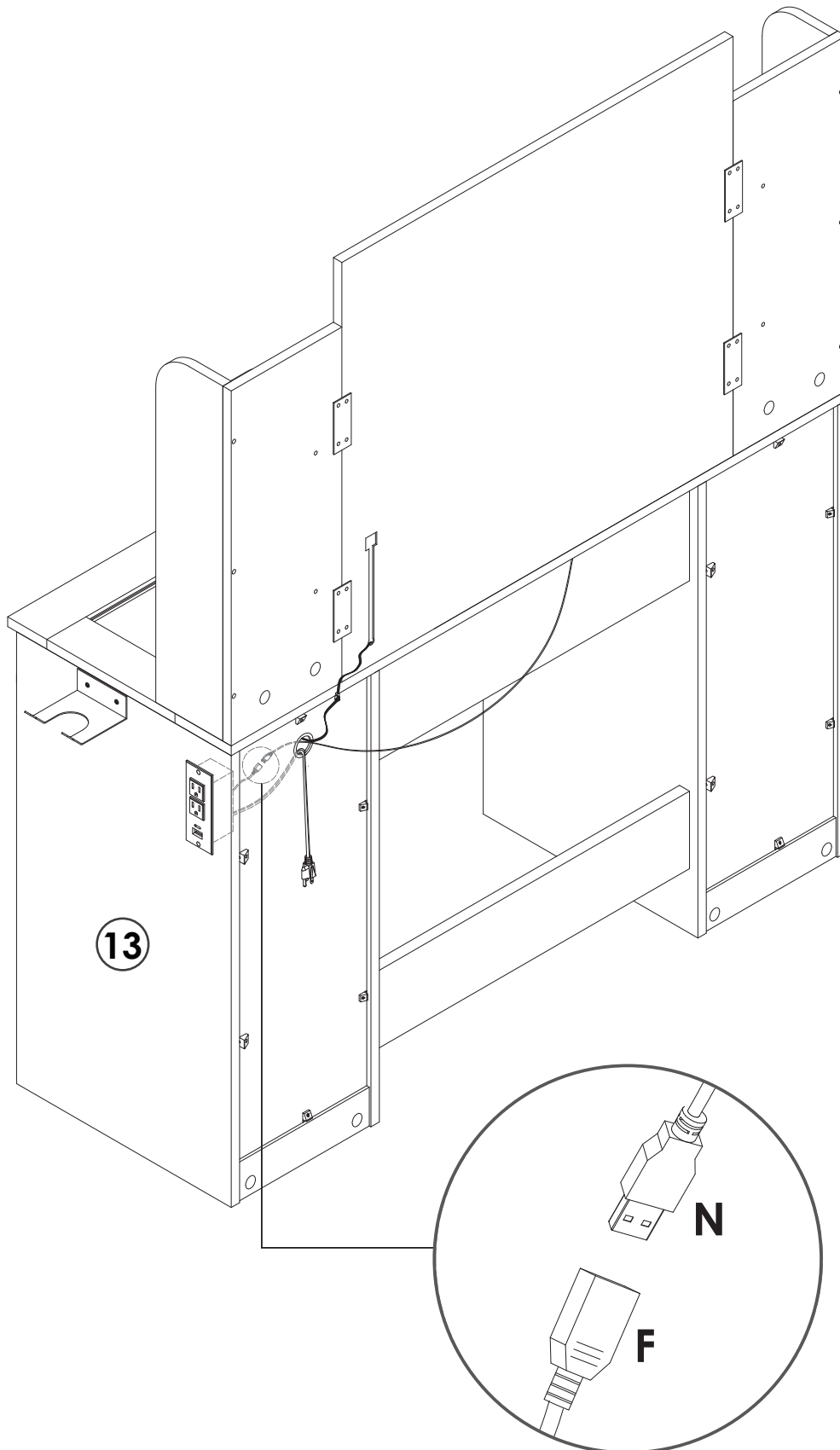
M3*16mm



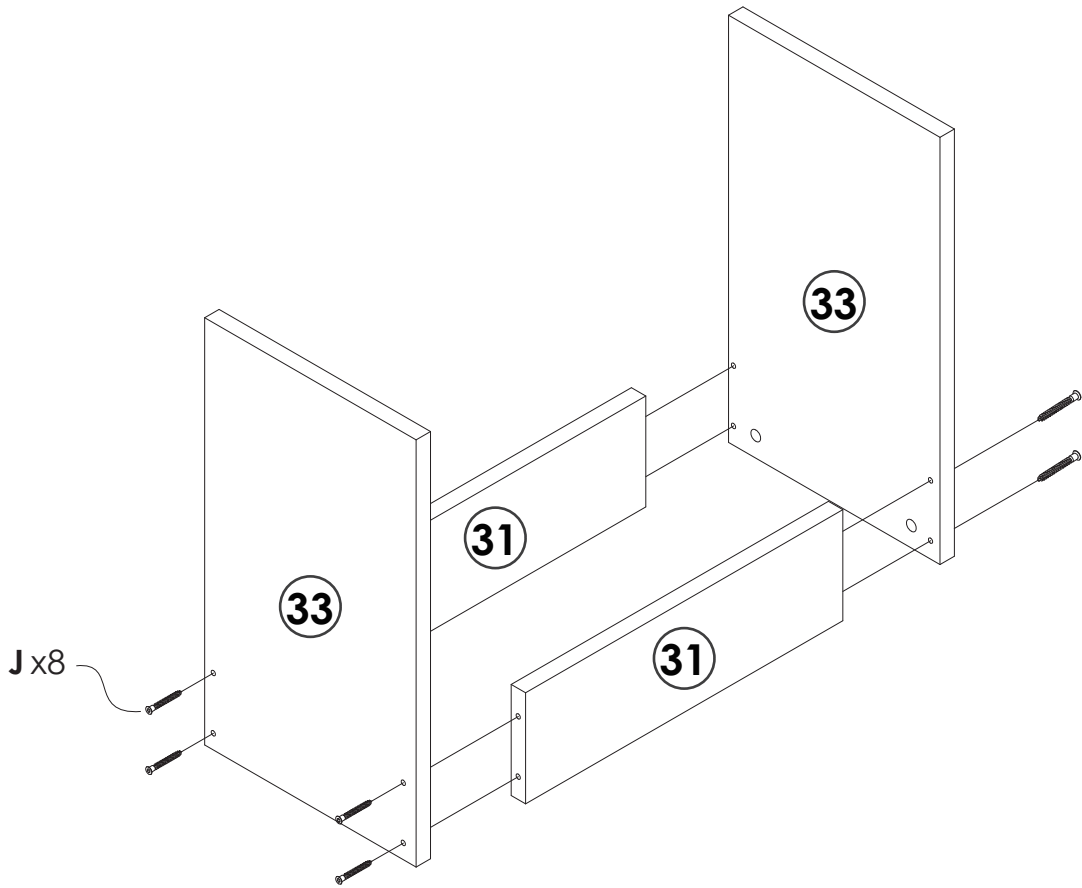
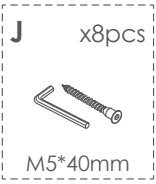
45

S x1pc

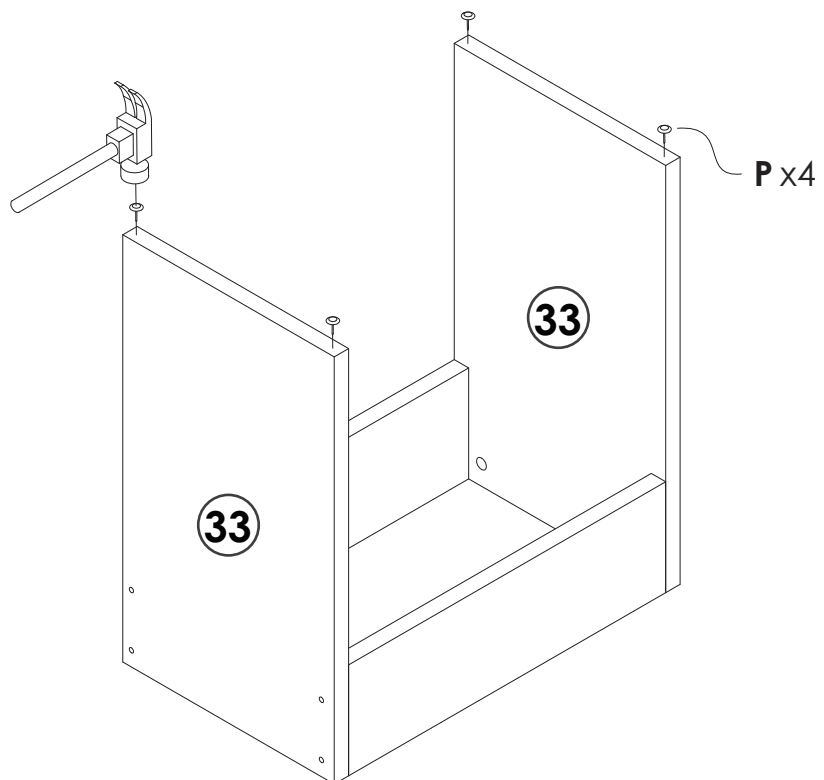
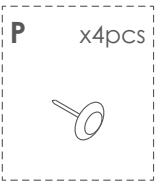




47



48

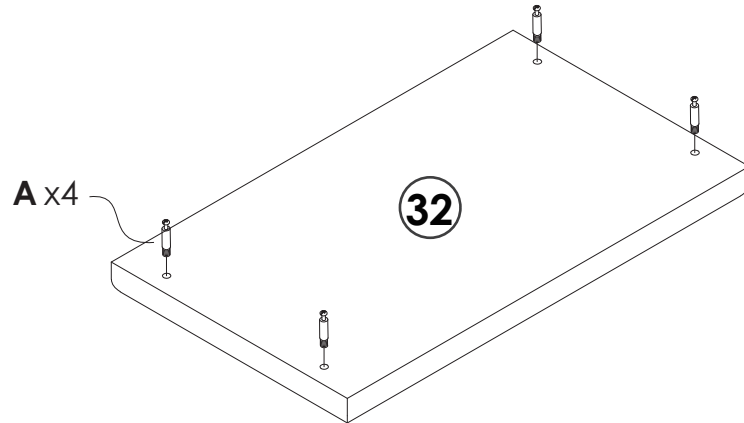


49

A x4pcs



M6*40mm

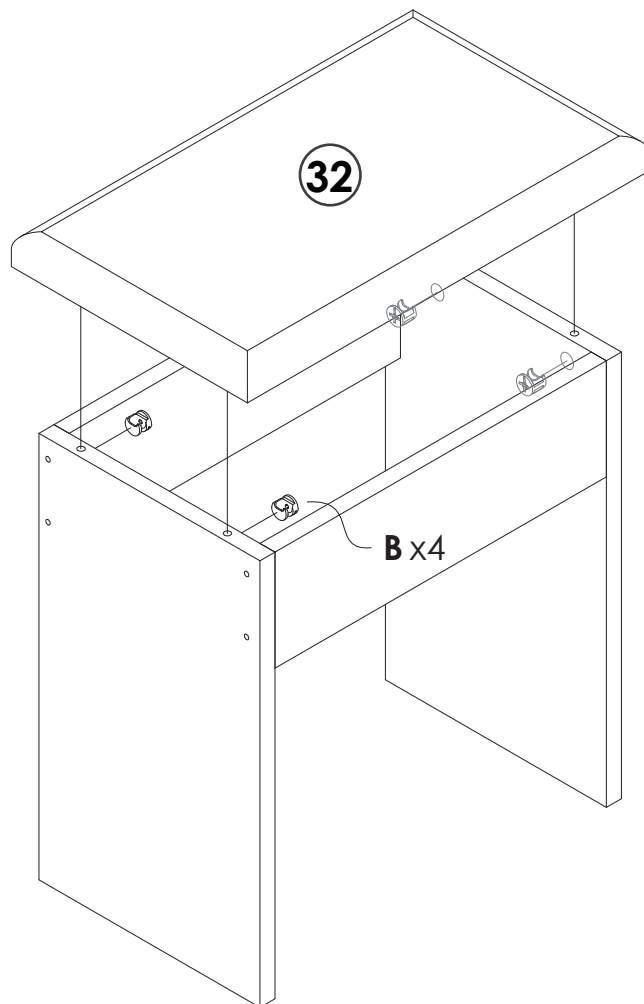


50

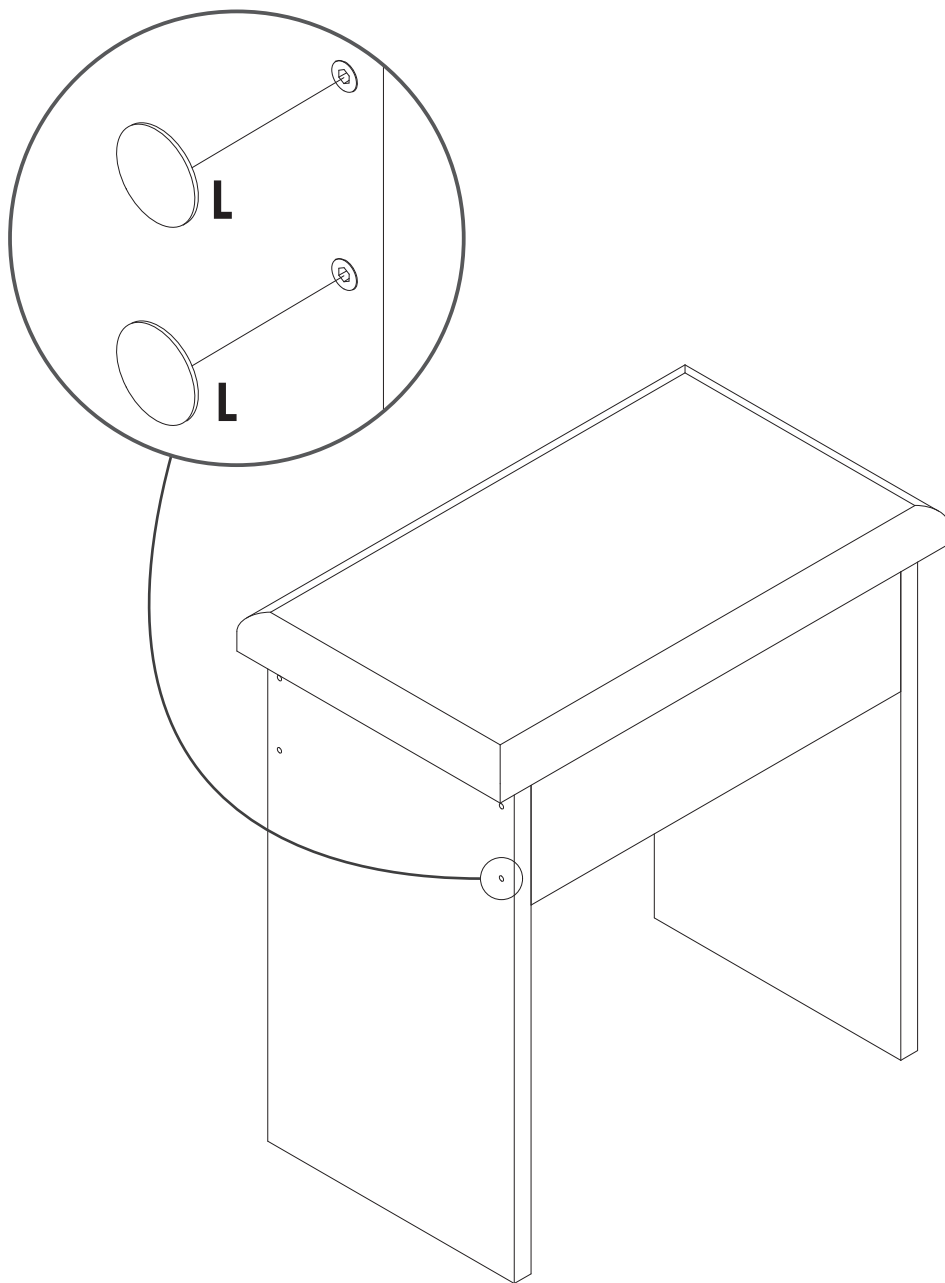
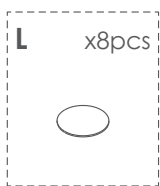
B x4pcs

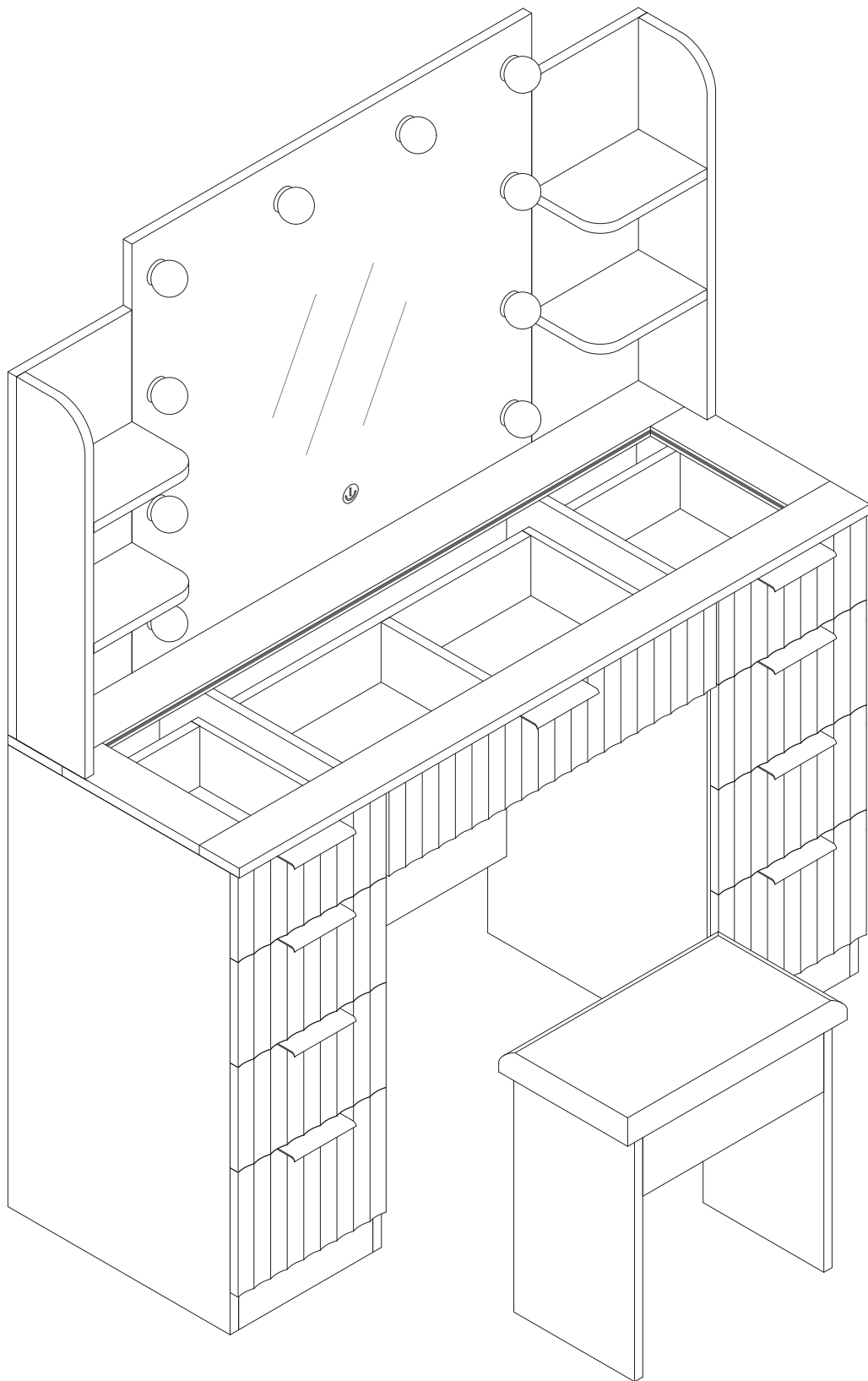


M15*11mm



51





WARRANTY

We provide an **18-month** warranty on the product starting from the date of the original purchase. If the product has any manufacturing defect, please contact us through email with details about the problem. We will send you further information about the return or exchange.