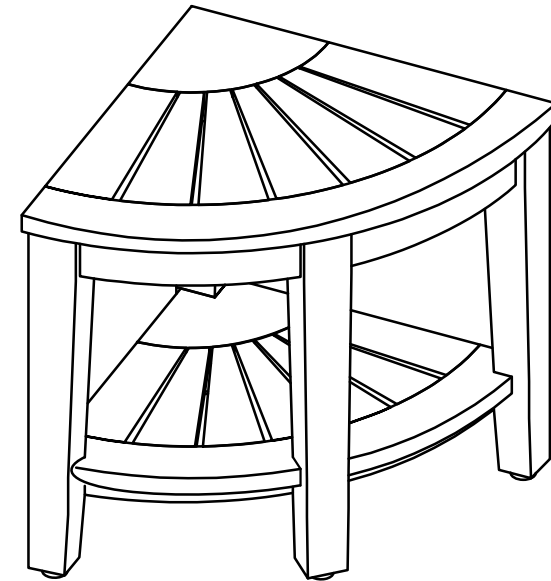
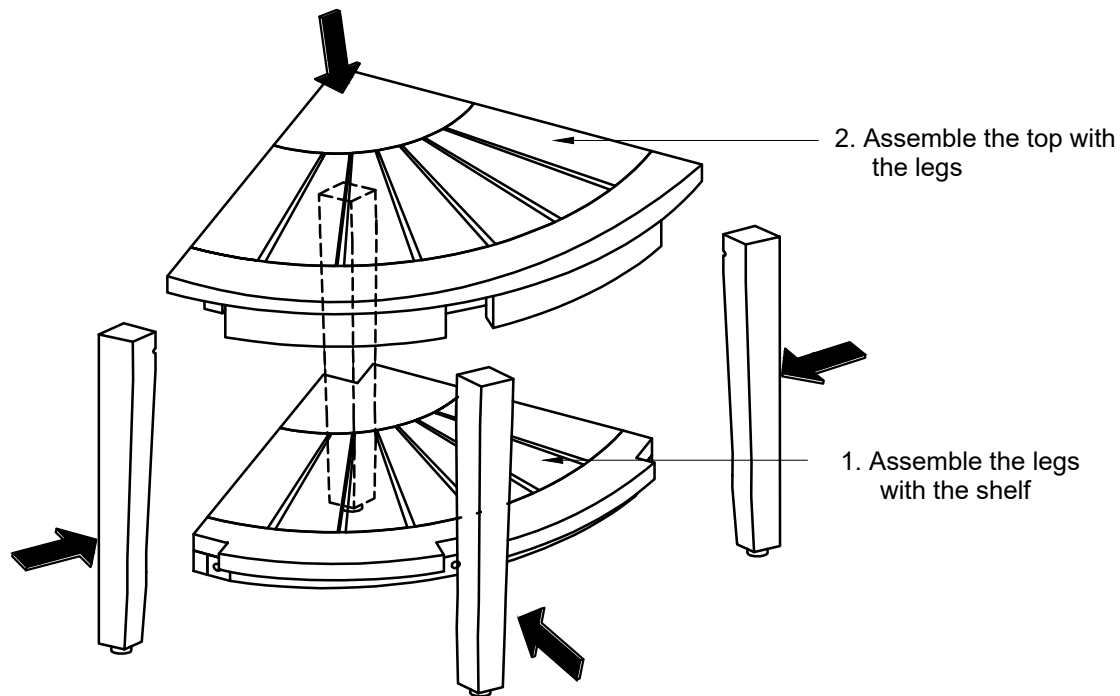




NOTICE

1. Follow the assembly instructions
2. Please confirm all accessories are present before installation
3. Do not fully tighten the screws during initial assembly. Gently adjust the board to make them level. Only tighten after all pieces are correctly assembled
4. If you encounter any problems during installation, refer to two solutions:
 - Follow the installation video on the product page; or
 - Contact our customer service

ASSEMBLY INSTRUCTIONS



Hardware List		
No.	Components	Qty
1	 JCBC M6 x 40 mm	8 pcs
2	 Allen Key	1 pcs