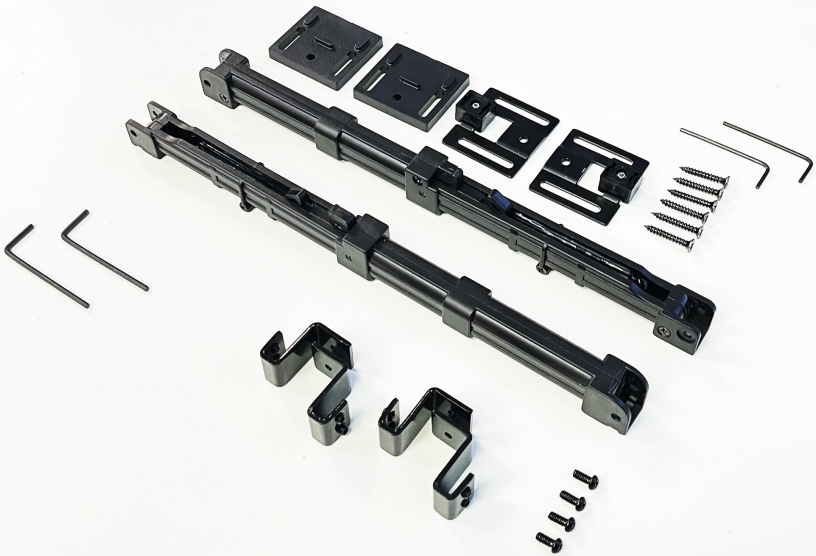




Soft Close Mechanism

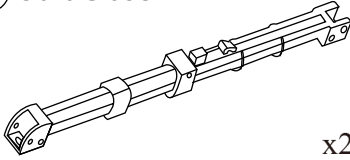
Installation Manual



# HARDWARE INCLUDED

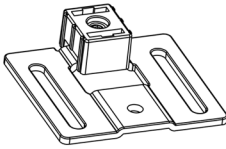
Please check your quantity of hardware and tools you need before installation.

① Soft Close



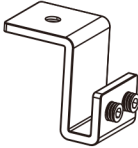
x2

④ Actuator



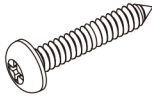
x2

② Clamp



x4

⑤ Self Tapping Screw



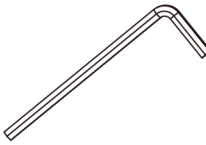
x6

③ Machine Tapping Screw

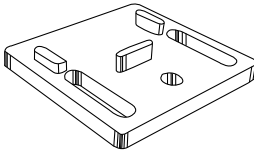


x4

⑥ Allen Key



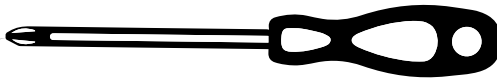
⑦ Actuator Spacers



x2

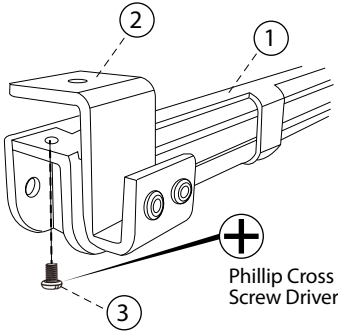
## Tool Needed for installation

Phillip Cross  
Screw Driver

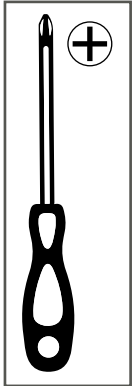
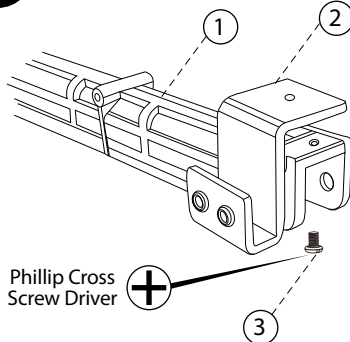


# INSTRUCTIONS

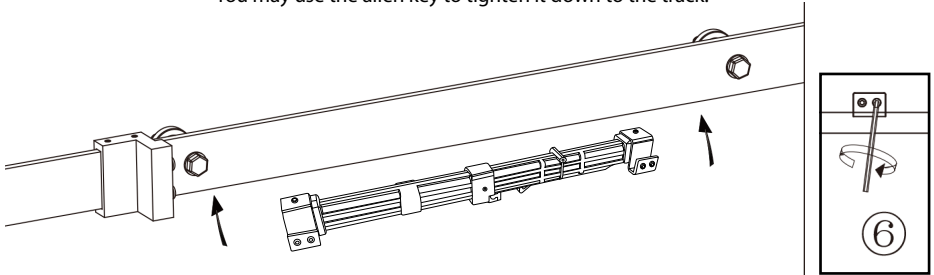
1 Install the Clamp on to the Soft Close



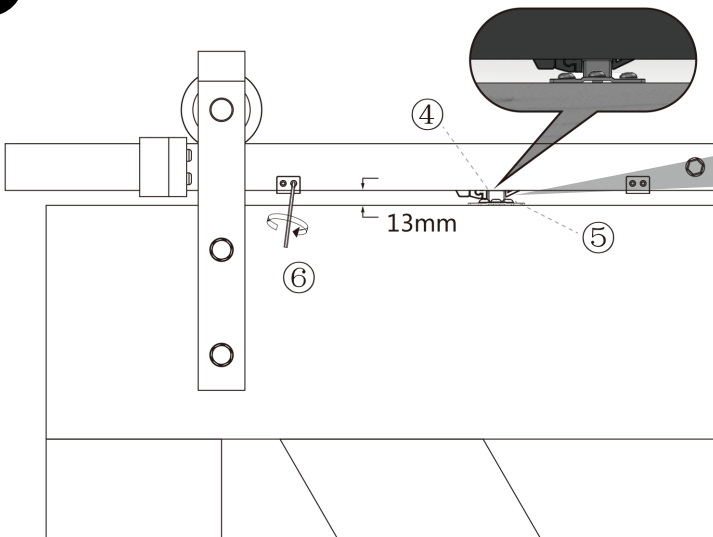
2 Do the same on both ends.



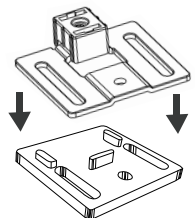
3 Clamp the soft close closer to where the door will stop, in between two lag bolt/spacer placement. You may use the allen key to tighten it down to the track.



4



You may stack the actuator and the actuator spacer before installation if the actuator does not reach the soft close.





SLIDING HARDWARE / BARN DOORS  
High Quality • Exquisite Design • Outstanding Services

### ABOUT US

At Homacer, our goal is to provide the finest sliding barn door hardware products and services for our valued customers. We keep polishing our products to make their quality better, prices lower and installation easier. We make it possible for you to get everything you need from us when you think about installing sliding barn doors.

### CONTACT US

#### Customer Services

**Office #:** 1(770) 864-5437

**Website:** [www.homacer.com](http://www.homacer.com)

**Email us:** [info@homacer.com](mailto:info@homacer.com)

#### Bulk Order Program

To learn more about bulk order program you may contact us at

**Office #:** 1(770)-559-5849

**Website:** [www.homacer.com/pages/membership-program](http://www.homacer.com/pages/membership-program)

**Email us:** [sales@homacer.com](mailto:sales@homacer.com)

### LOCATION

1885 Beaver Ridge Cir, Ste A  
Norcross, GA 30071