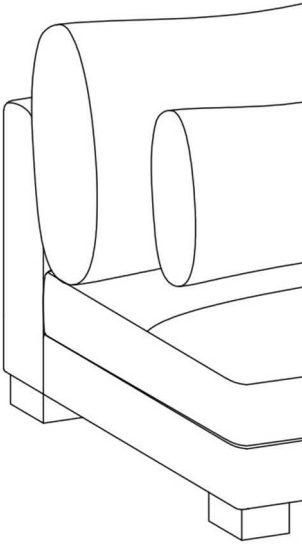


# Owner Manual



# WARRANTY

We strive to offer high quality product and we also try our best to satisfy each customer that order from us, no matter on products or services as needed. Each customer receives a record of their order, such as the order number or item receipt. For any items that are out of warranty period, you may still be able to purchase the replacement parts from our company if they are available.



# MAINTENANCE AND WARNING

Please read the manual thoroughly  
before you start installing.

Please keep the product away from  
sharp object.

Packaging and small parts may have  
chocking hazard, please keep them away  
from children and pets.

Please clean the product according to each  
clean code, check the product description  
for more information.

Please keep the product away from fire.

If you have any other questions, please  
contact us, we will be glad to help you out.

If the product is placed under direct  
sunlight, the pattern or color might fade  
away overtime.

Check the product periodically to make  
sure everything is secured and tightened.

Always use proper tools for installation.

Do not jump on the product.



Around 20 min

# PRODUCT DESCRIPTION

Provides a rectangular sofa and 3 single sofas to meet the needs of other family members.

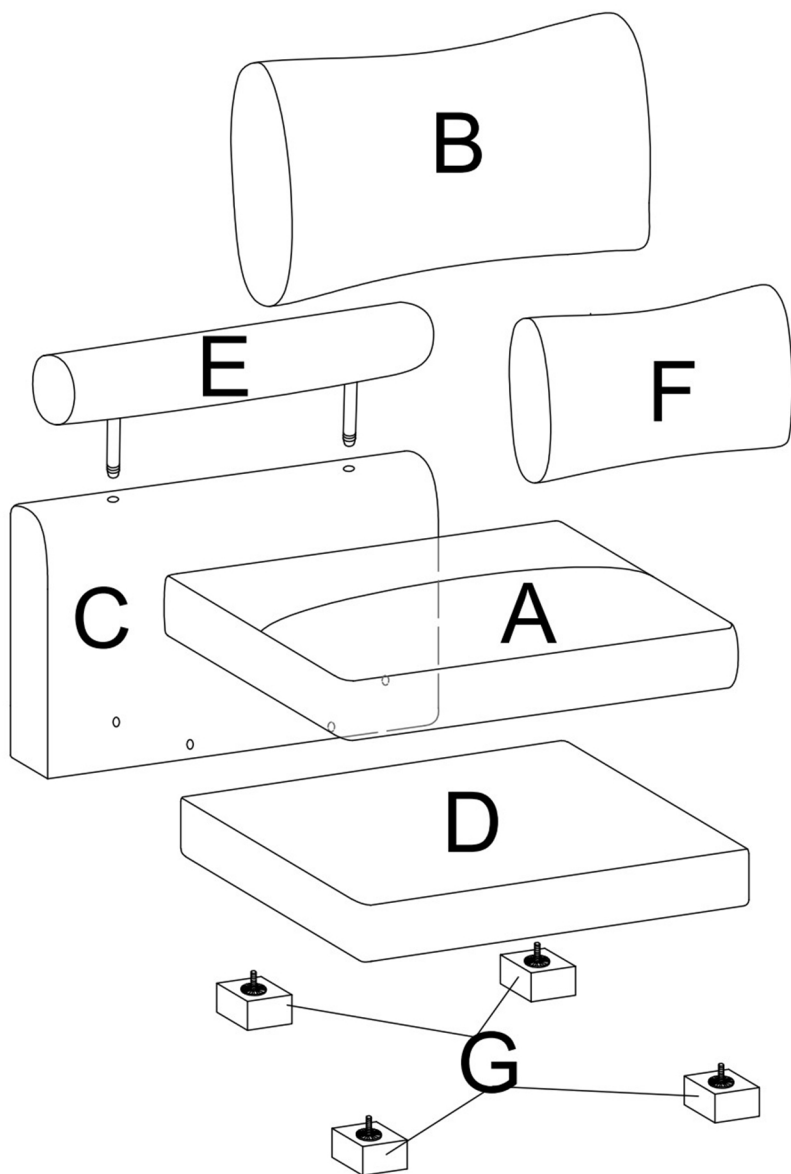
Whole structure is made of hardwood and metal, also solid wood as legs, weight capacity can be up to 1200 lbs.

Highly filled sofa foam cushions provide with the most comfortable sitting posture and back support.

Cushioned backrests can be rearranged for additional comfort, also come with small pillows to support arms or neck.

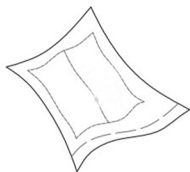
The entire sofa is made of corduroy material, giving you a comfortable experience.

# EXPLODED VIEW



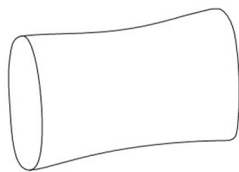
# PARTS

A\*1



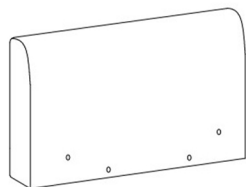
Seat cushion

B\*1



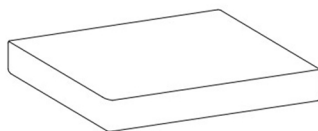
Back cushion

C\*1



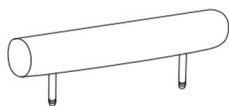
Backrest frame

D\*1



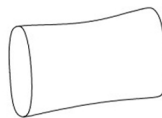
Seat frame

E\*1



Headrest

F\*1



Waist cushion

G\*4



Legs

# HARDWARE

## TOOL LIST

NOTE: Designated with (★) We provide additional spare parts in the hardware package

①\*4



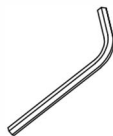
Bolt  
M8\*50mm

②\*4



Flat washer

③\*1



Allen key

④\*1

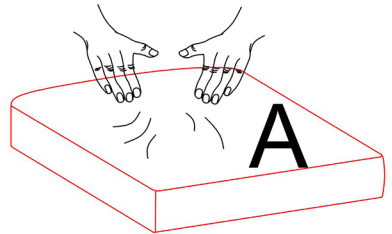
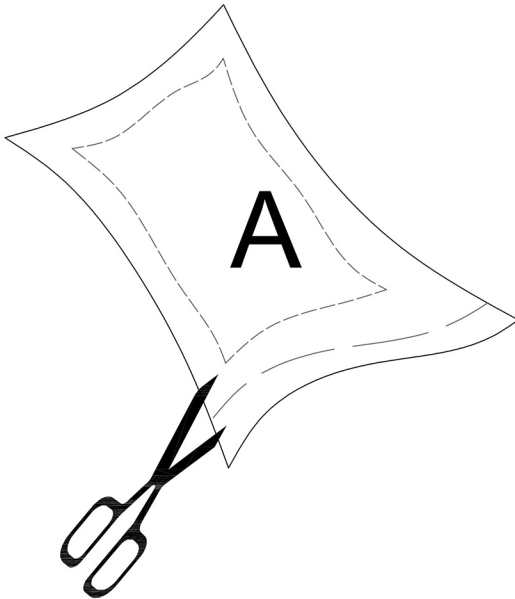


HOOK

Please make sure all hardware & packing material fitting the list. Especially some small accessories may be missing during transportation. Please contact us if you have any question.

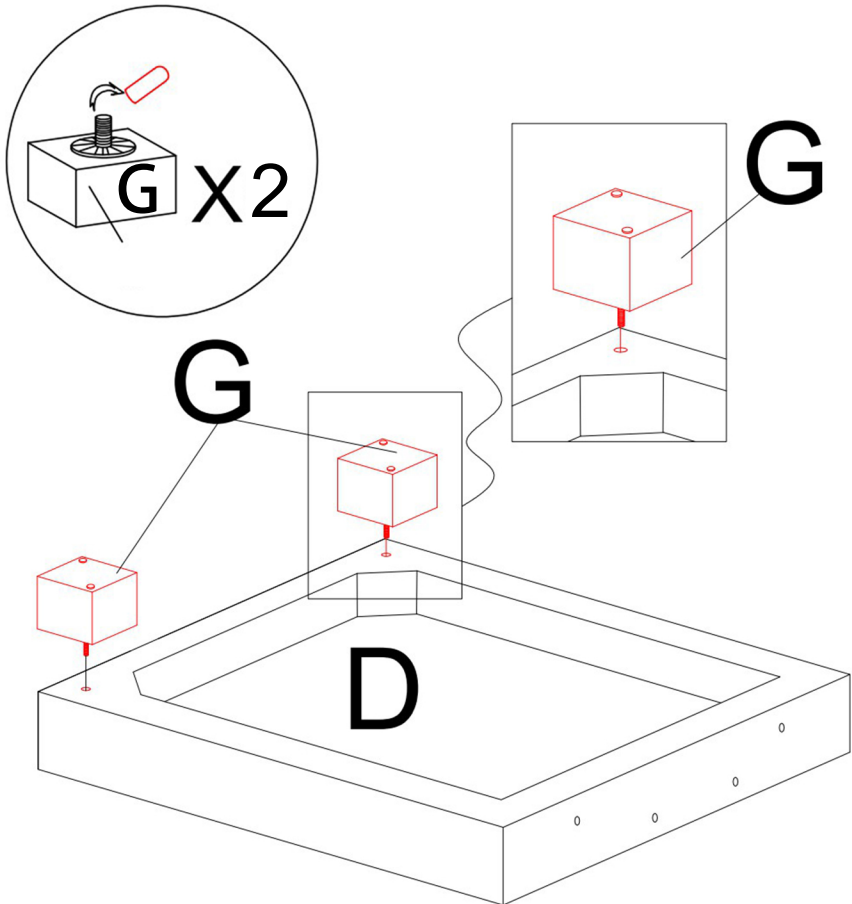
# step 1

After taking out of the cushions (A) from the air compression bag, please allow it to recover for a period of time. It might take up to 48 hours to be fully recovered, you may gently slap onto the cushion to speed up the process.



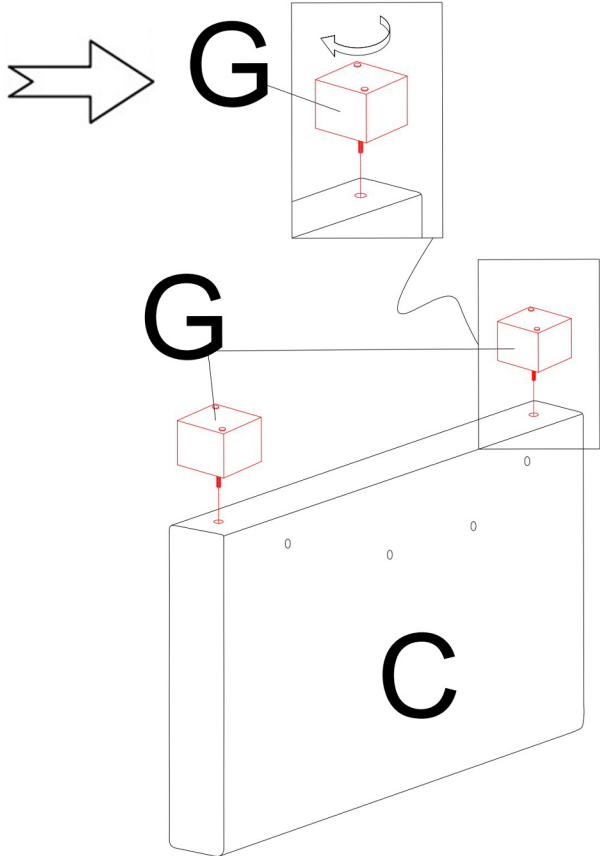
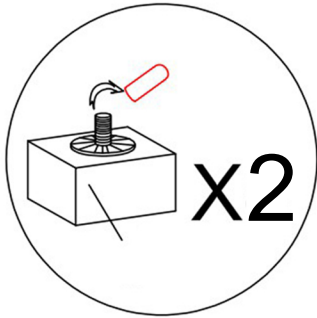
# step 2

Remove the plastic caps from the bolt parts of the wooden legs, Place the seat frame on its side on a clean surface, then twist the wooden legs(G) clockwise into each corner of the seat frame(D) as shown, make sure they are fully tightened.



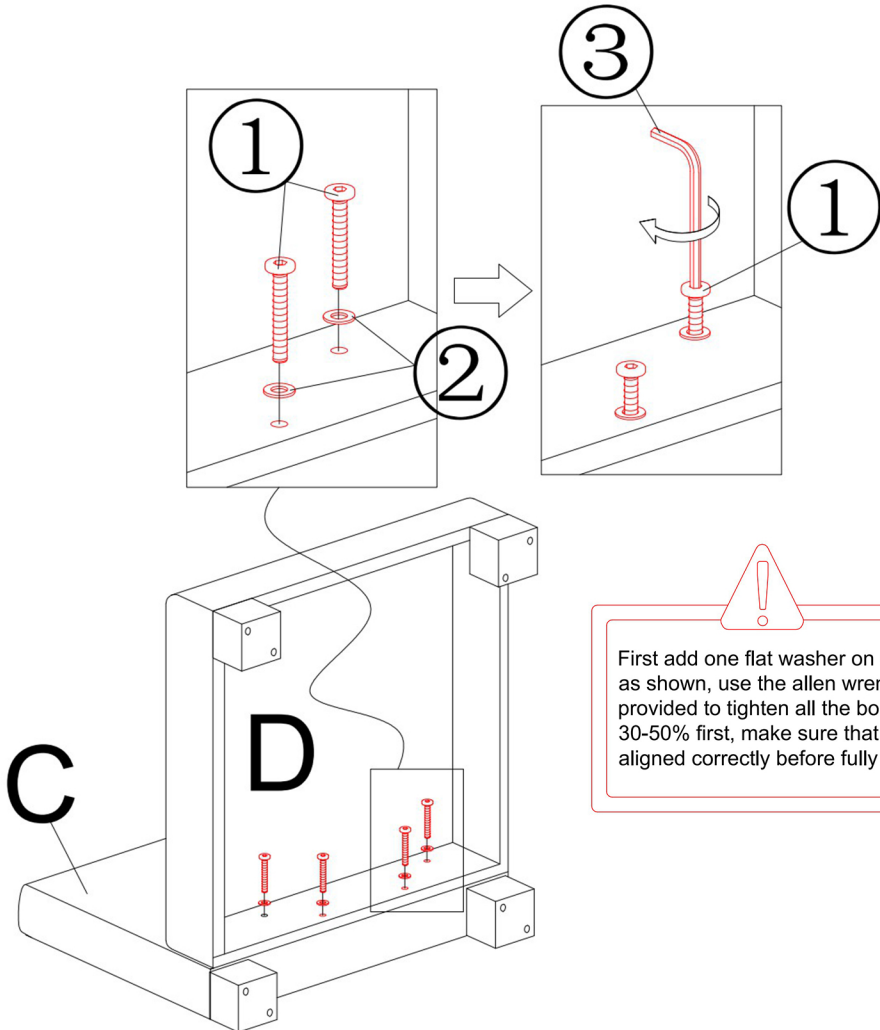
# step 3

Remove the plastic caps from the bolt parts of the wooden legs(G), Place the backrest frame(C) on its side on a clean surface, then twist the wooden legs(G) clockwise into each corner of the backrest frame(C) as shown, make sure they are fully tightened.



# step 4

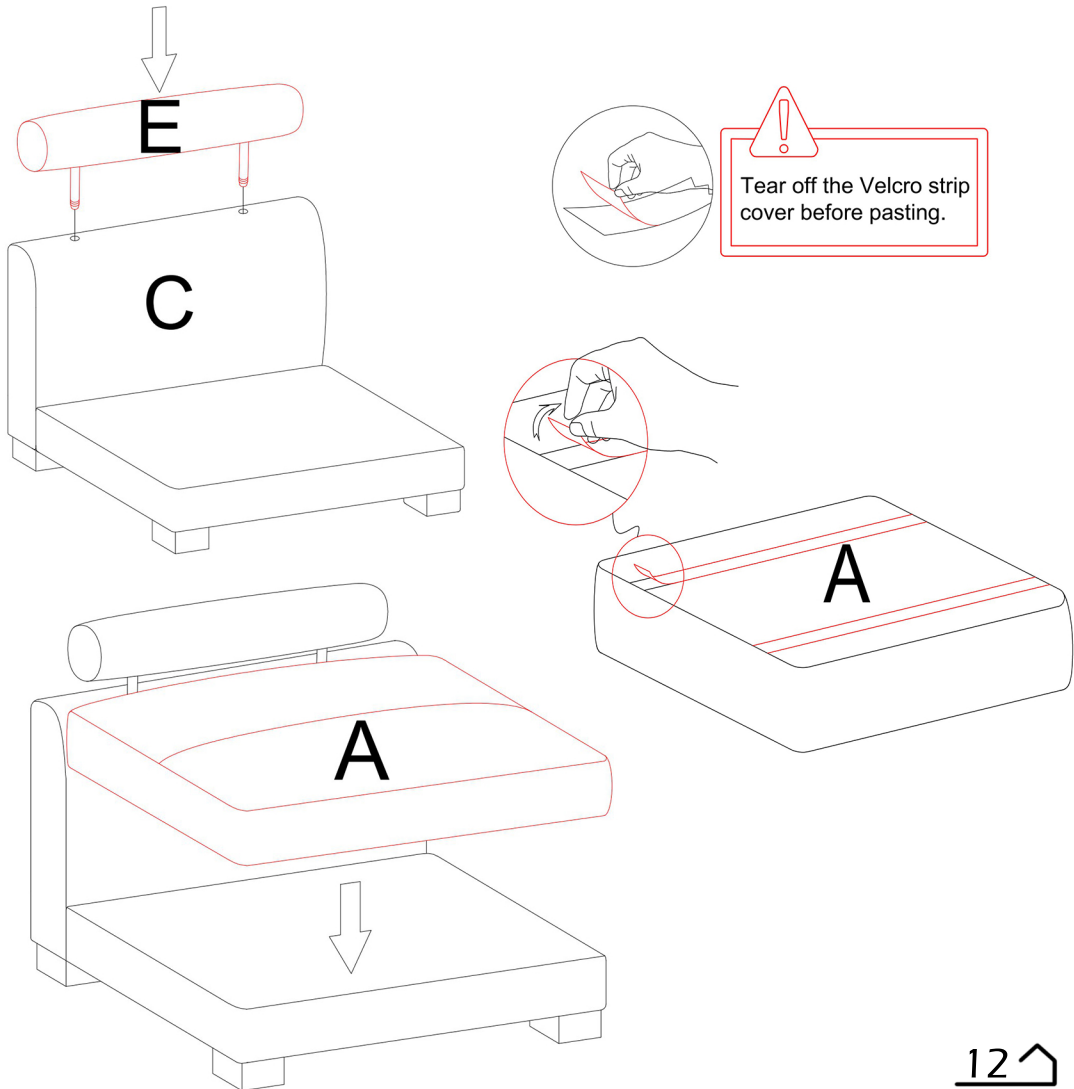
Place the seat frame (D) on its side as shown, and put all four screws (①) and flat washer (②) into the predrilled holes. Align all four screw holes, then use the allen key (③) provided to tighten them.



# step 5

Insert headrest (E) into the backrest (C) as shown, make sure they are aligned. There are three levels of adjustment for the headrest.

Tear off the Velcro tape covers on the bottom of the cushions(A), and place the cushions(A) onto the sofa as shown.



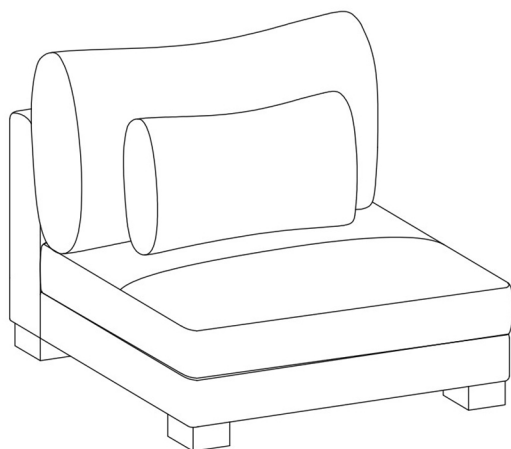
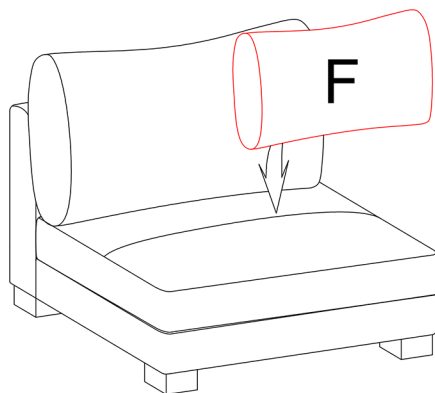
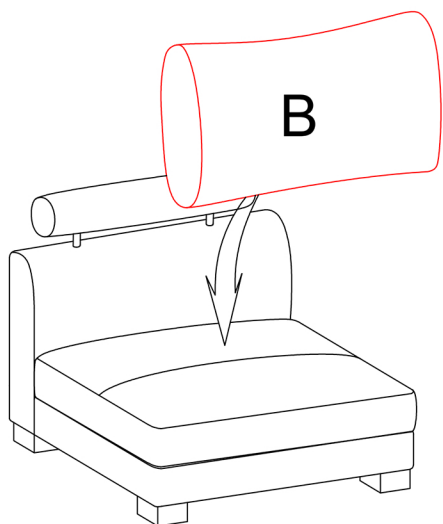
# step 6

Place the back cushion (B) onto the sofa.

Place the waist cushion (F) onto the sofa.

Congradulations, the assembly is complete!

Thank you again for choosing our product! Please enjoy!



# step 7

There is a metal buckle inside the carton as a free part.  
If you only purchased single part of the sofa, this buckle will not be useful.

If you want to be combined with other sofa components (ottoman, chair, chaise etc), this buckle can be used.

Just use this buckle to fix two parts together from the bottom to prevent displacement while using the products.

