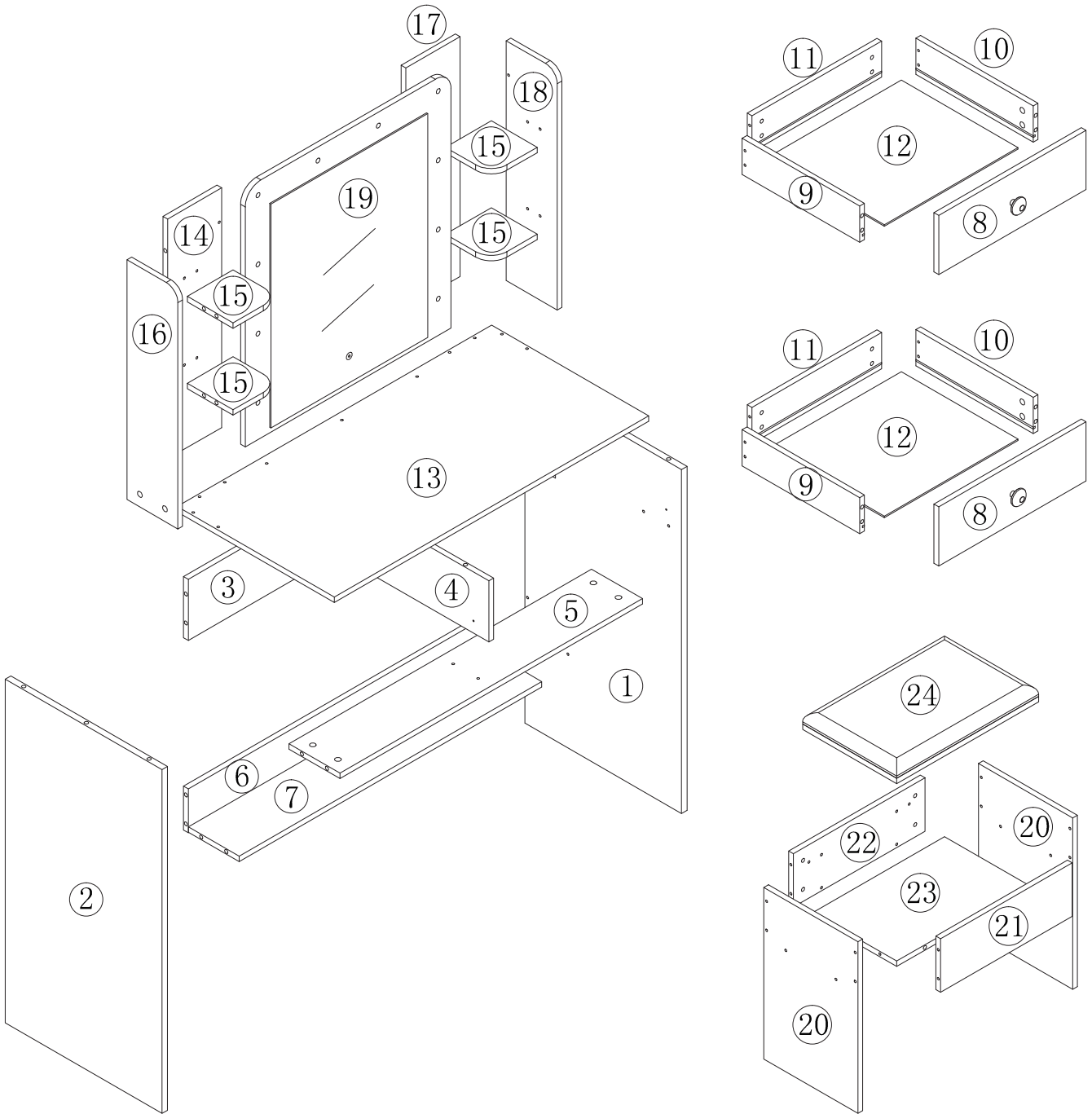


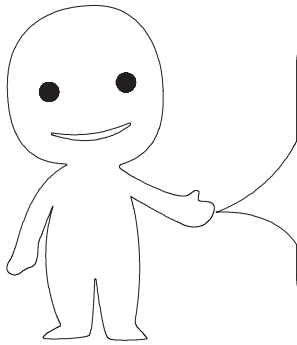
Product Manual

Parts List

The same number represents the same size board.



Parts List



Please prepare the following tools

A x 71

$\phi 6 \times 35 \text{ mm}$

B x 71

$\phi 12 \times 10 \text{ mm}$

C x 26

$\phi 4 \times 40 \text{ mm}$

D x 26

$\phi 10 \times 9 \text{ mm}$

E x 2

Drawer handle

F x 2

$\phi 4 \times 16 \text{ mm}$

G x 62

$\phi 3 \times 12 \text{ mm}$

H x 1

Charging Station

I x 2

I1
I2

Drawer Slide 12 inches

J x 2

Cabinet Hinge

K x 1

Screwdriver

L x 1

USB Line

M x 6

$\phi 4 \times 20 \text{ mm}$

N x 10

$\phi 35 \text{ mm}$

O x 11

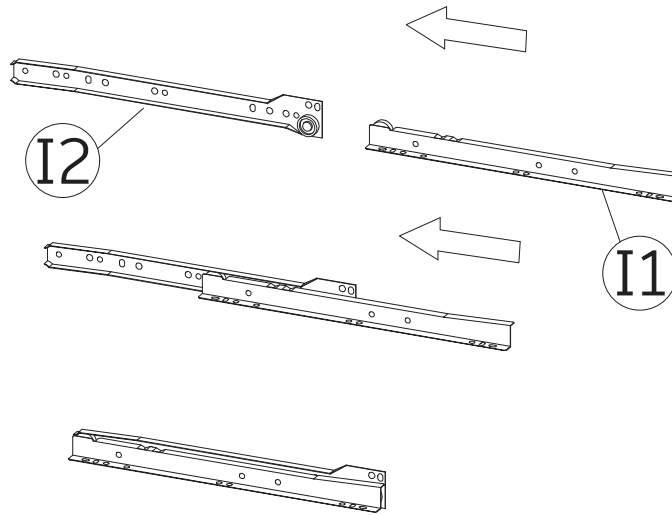
12*8*6

P x 10

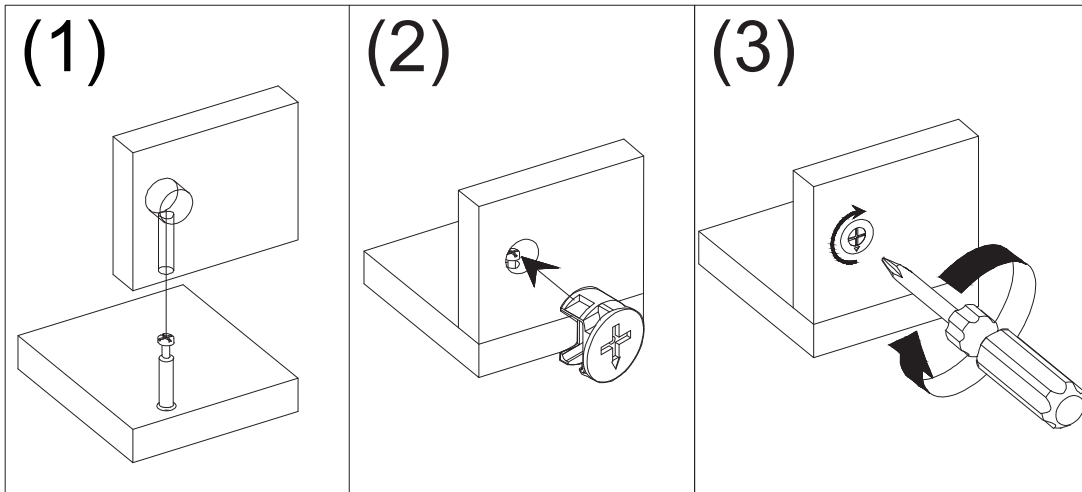
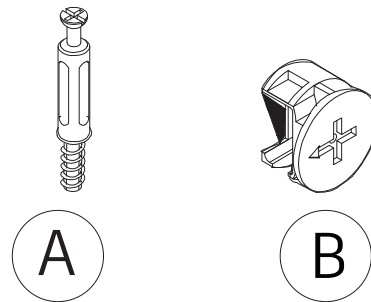
14*14*5

Warm Reminder

Before installing the drawer rail, you need to separate the I1 and I2 first.



This Cam Lock Fastening System will be used throughout the assembly process

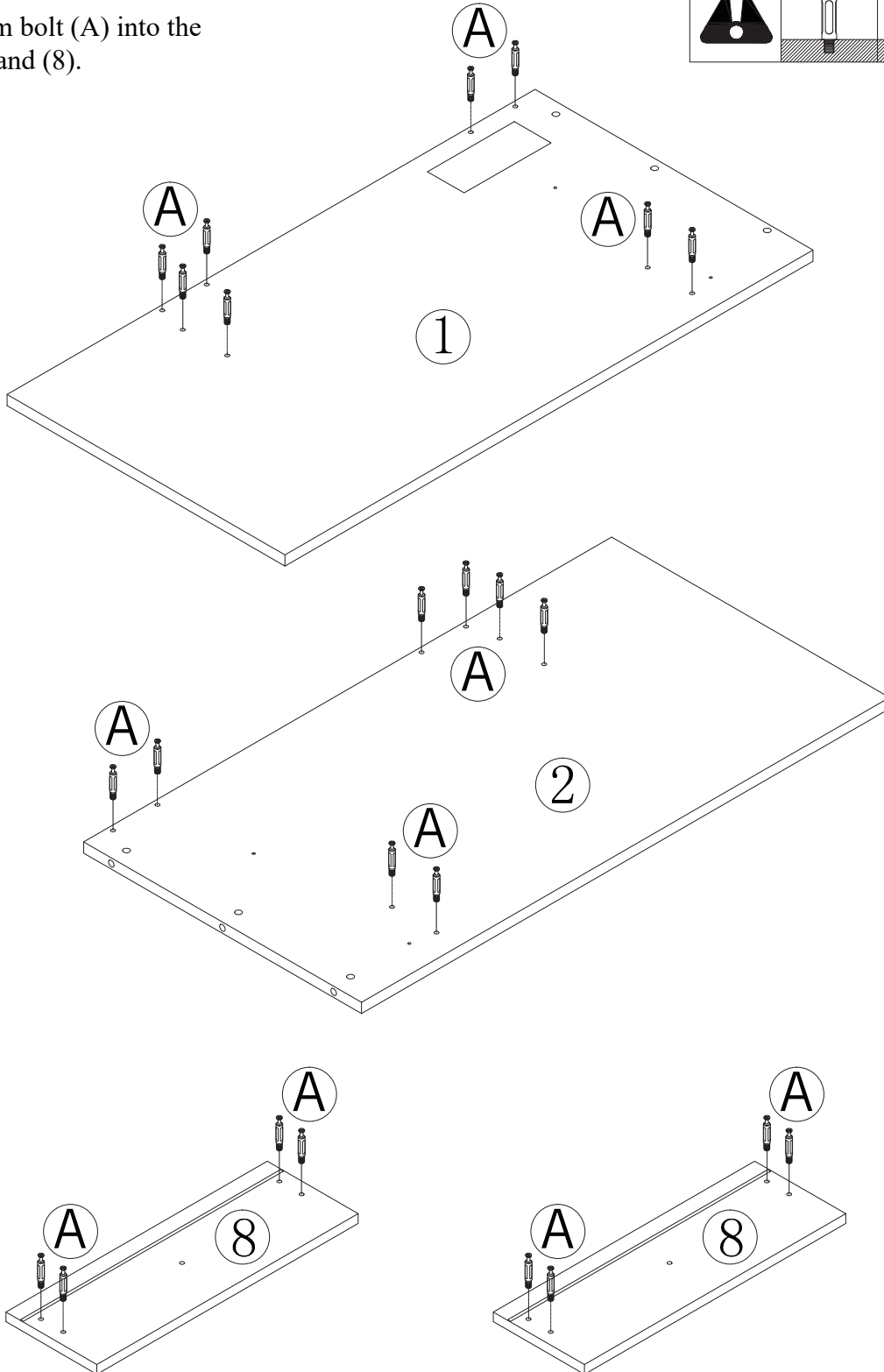


Install

1

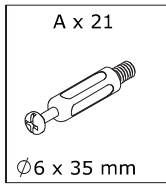
A x 24  Ø6 x 35 mm	① x 1 ⑧ x 2		
	② x 1		
			

Screw the cam bolt (A) into the panel (1) (2) and (8).

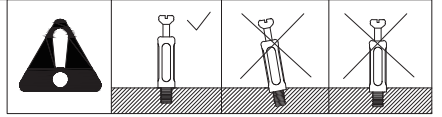
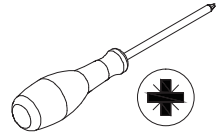


Install

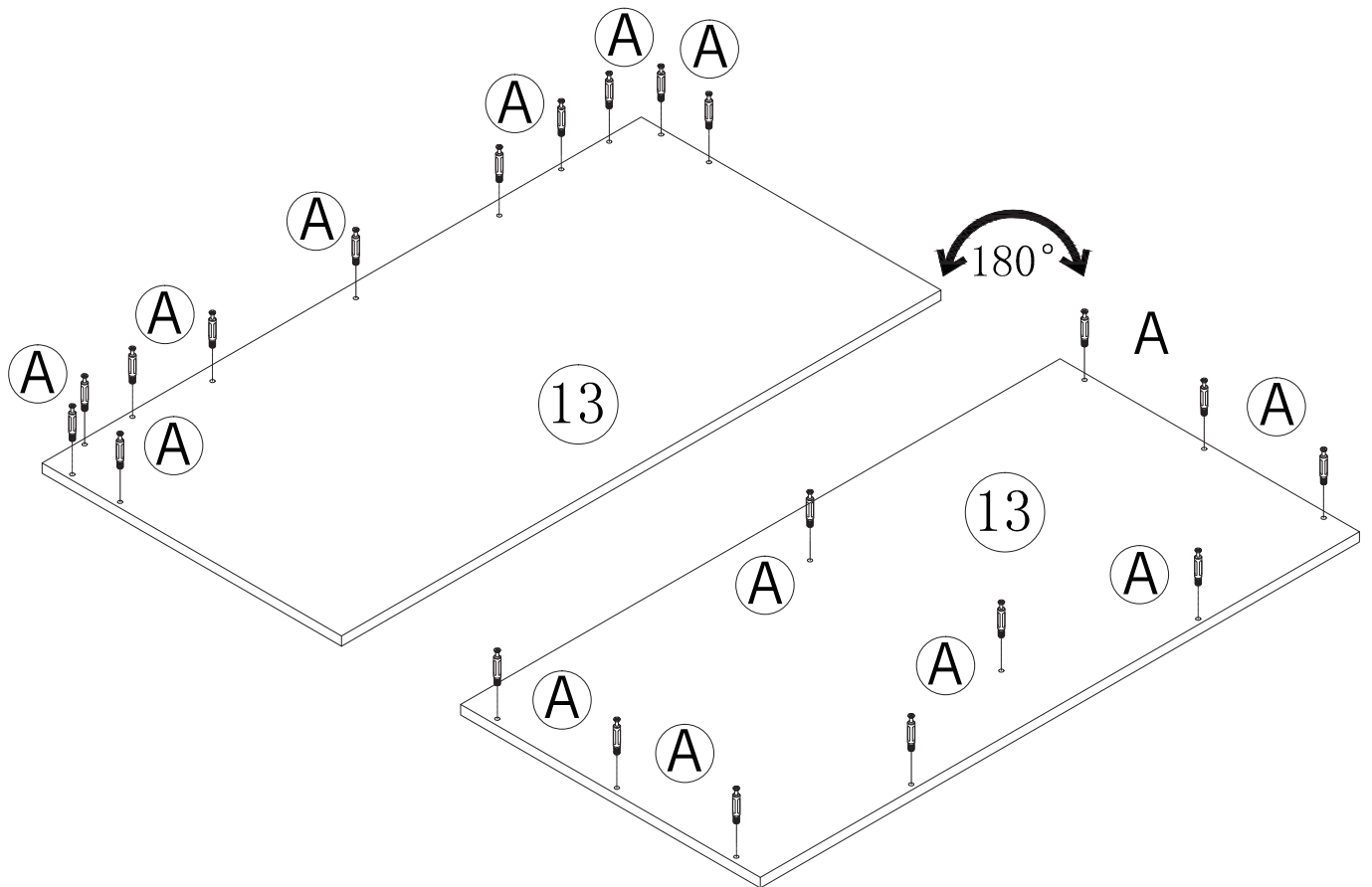
2



13 x 1

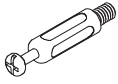


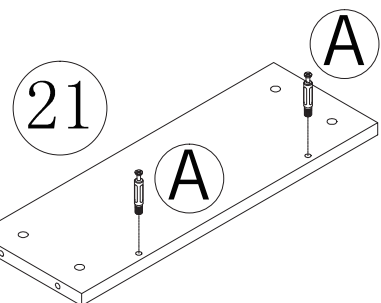
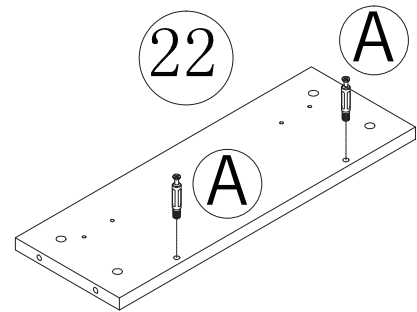
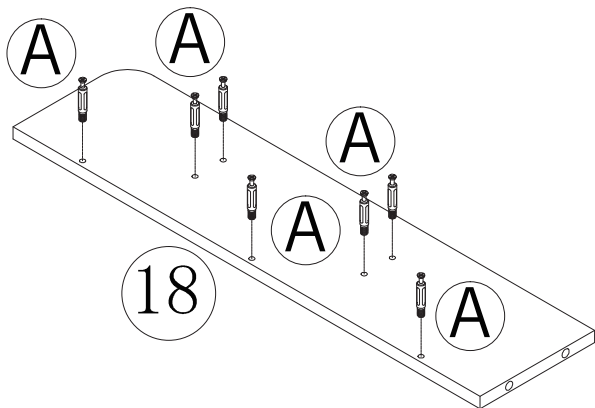
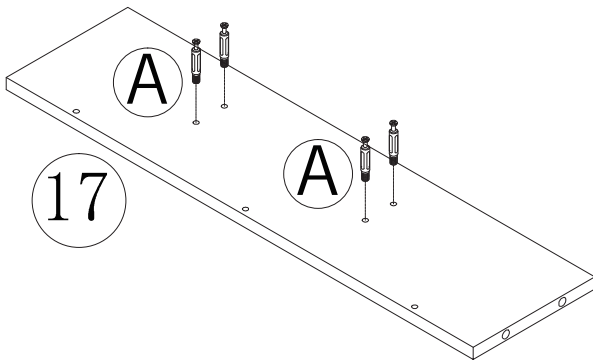
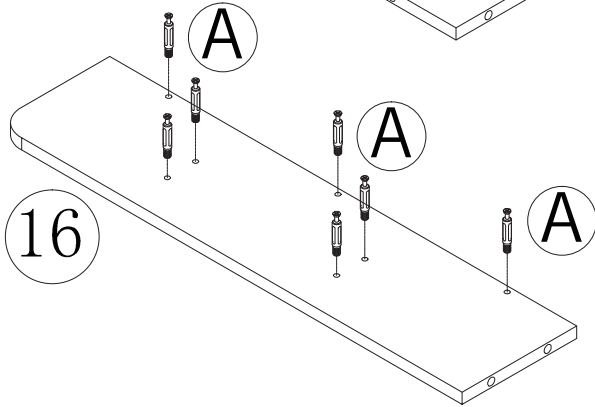
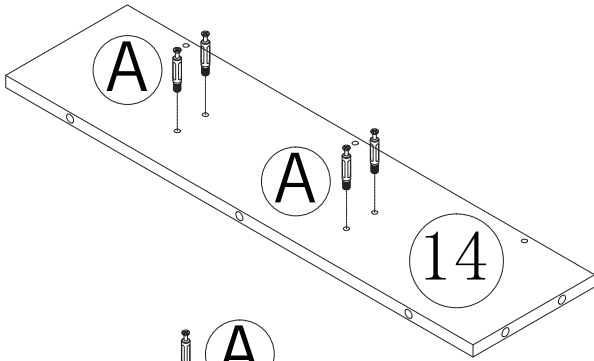
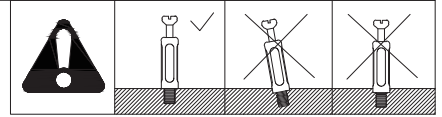
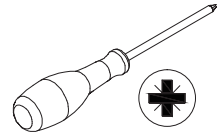
Screw the cam bolt (A) into panel (13).
Then, flip the panel 180° and screw the cam bolt (A) into the other side of panel (13).



Install

3




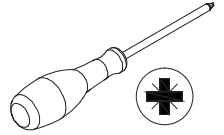
A x 26  ∅6 x 35 mm	14 x 1	16 x 1	17 x 1
	18 x 1	21 x 1	22 x 1


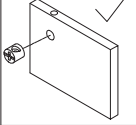
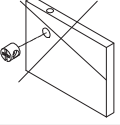


Screw the cam bolt (A) into the panel (14) (16) (17) (18) (21) and (22).

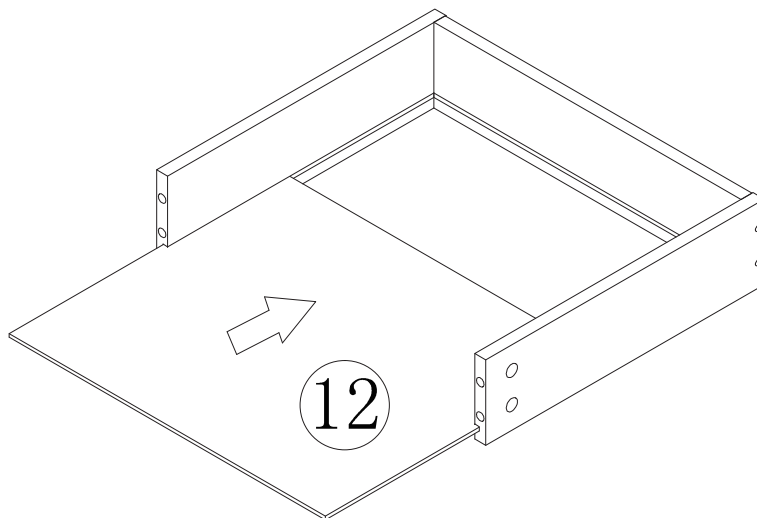
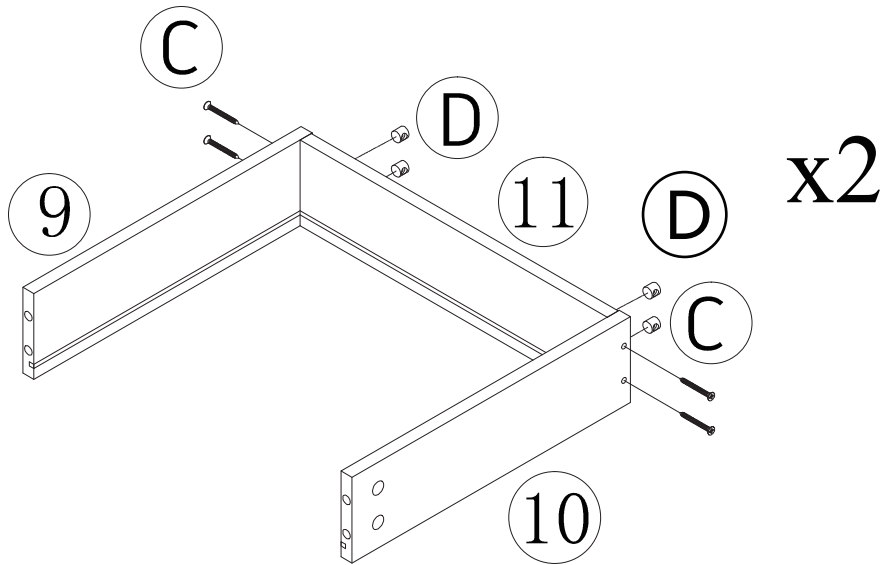
Install

4

<p>C x 8</p>  <p>Ø 4 x 40 mm</p>	<p>D x 8</p>  <p>Ø 10 x 9 mm</p>	<p>9 x 2 10 x 2</p> <p>11 x 2 12 x 2</p>		
---	---	--	---	---

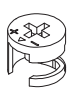

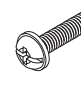
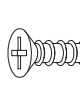
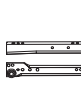


		
---	---	---

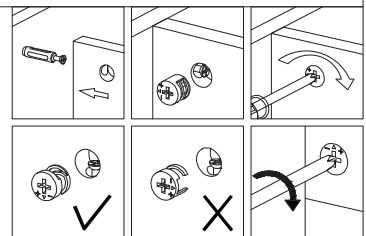
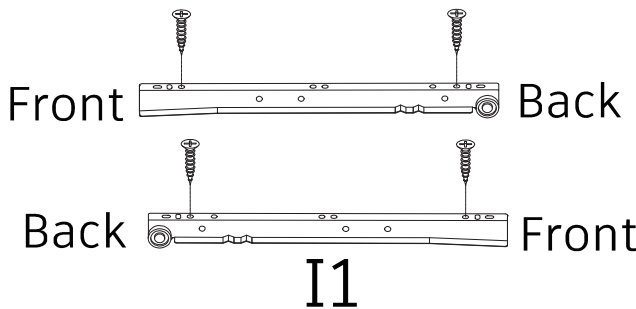
Screw part (D) into panel (11).
Attach panels (9) and (10) to panel (11) using screws (C).
Slide bottom panel (12) into the assembled drawer unit.



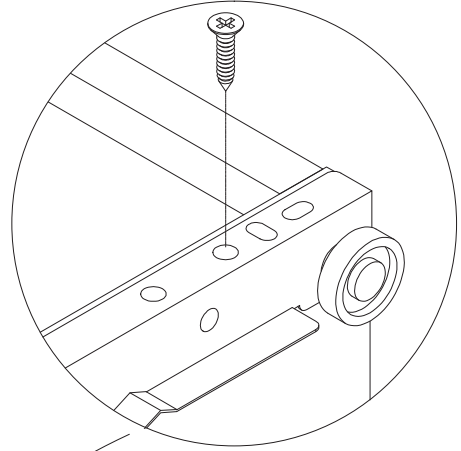
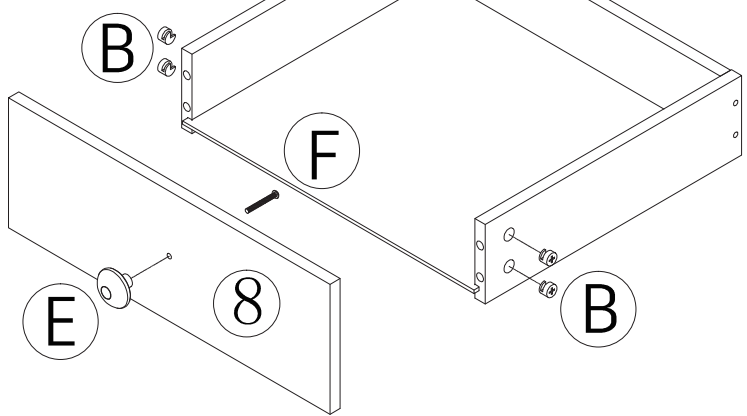
Install

5

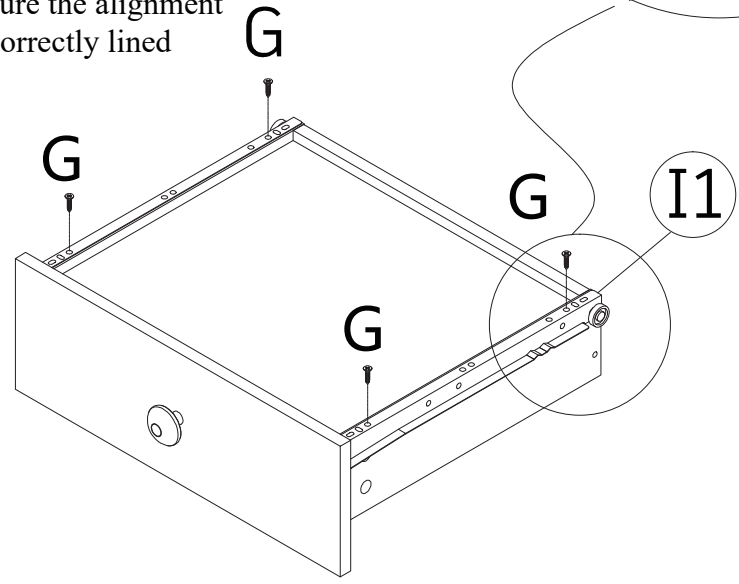
<p>B x 8</p>  <p>Ø12 x 10 mm</p>	<p>E x 2</p> 	<p>F x 2</p>  <p>Ø4 x 16 mm</p>	<p>G x 12</p>  <p>Ø3 x 12 mm</p>	<p>I 1 x 4</p>  <p>I1 I2</p>	<p>8 x 2</p>  
---	--	--	---	--	--



Pass screw (F) through the center of panel (8) to attach with the drawer handle(E).
Align the screws (A) on panel (8) with the holes in panels (9) and (10), then secure them using cam locks (B).

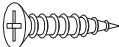


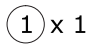
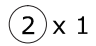

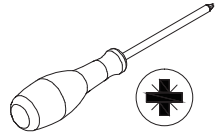


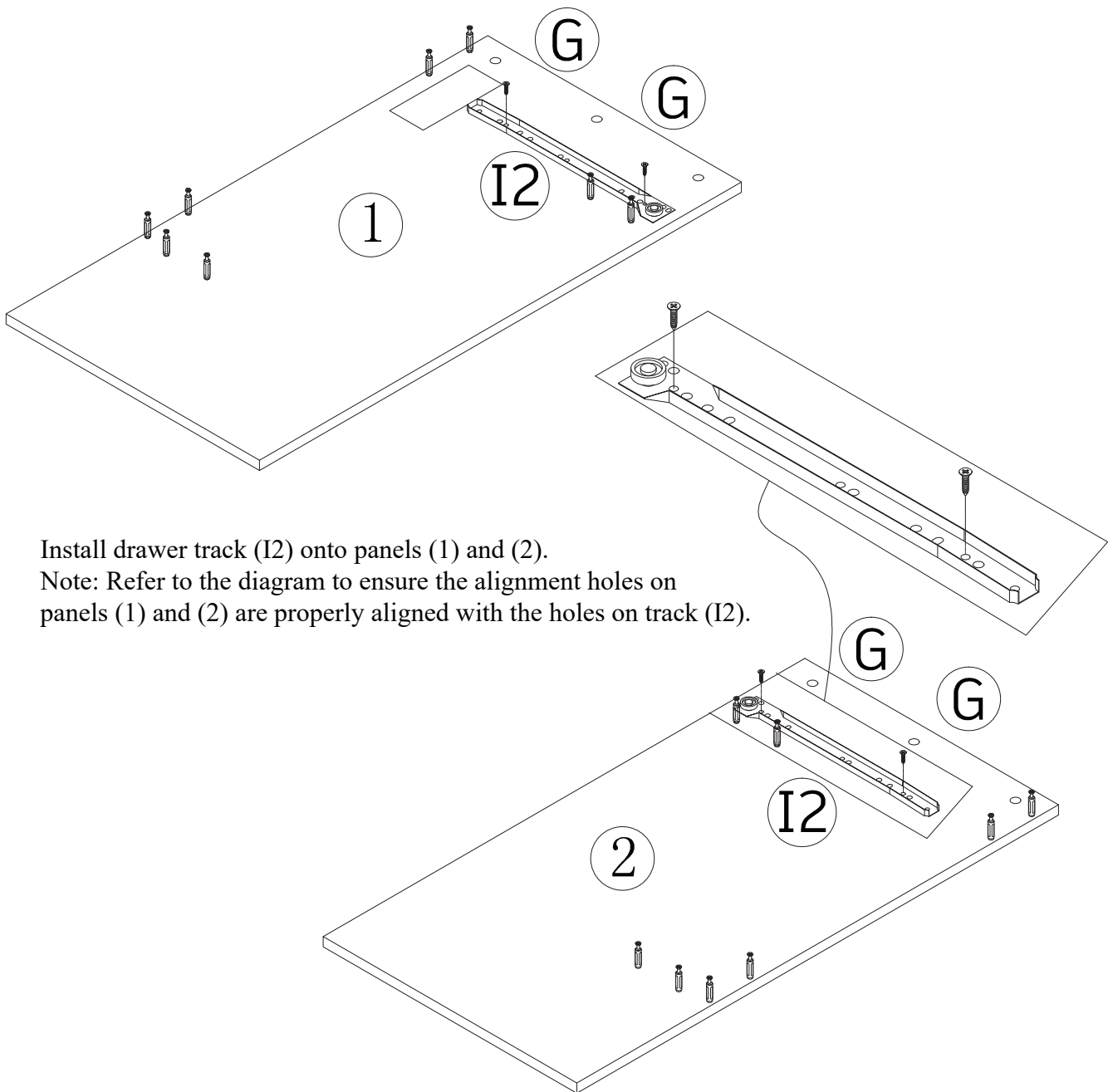
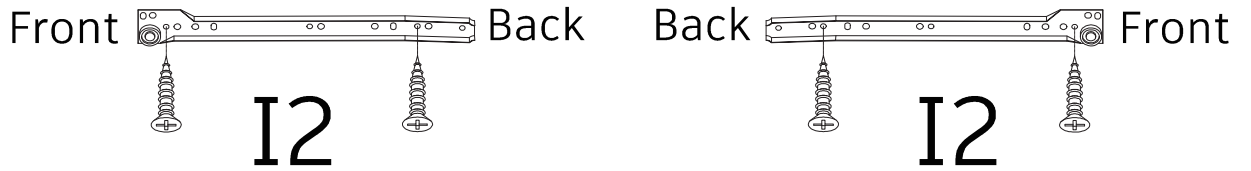
Install track (I1) onto the bottom of the drawer and secure it with screw (G). Repeat this step four times.
Note: Refer to the diagram to ensure the alignment holes on panels (9) and (10) are correctly lined up with the holes on track (I1).



Install

6

G x 4  Ø3 x 12 mm	I 2x 2  I1  I2	(1) x 1 (2) x 1  (1) x 1  (2) x 1		
--	--	---	---	---

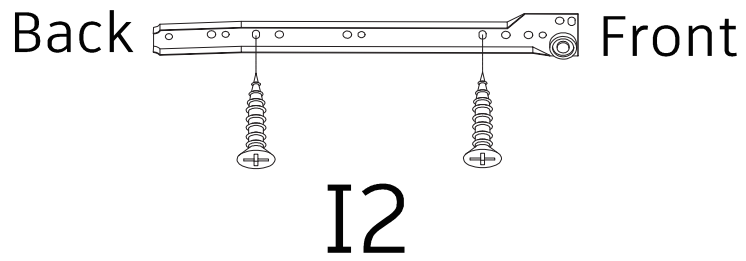


Install drawer track (I2) onto panels (1) and (2).
 Note: Refer to the diagram to ensure the alignment holes on panels (1) and (2) are properly aligned with the holes on track (I2).

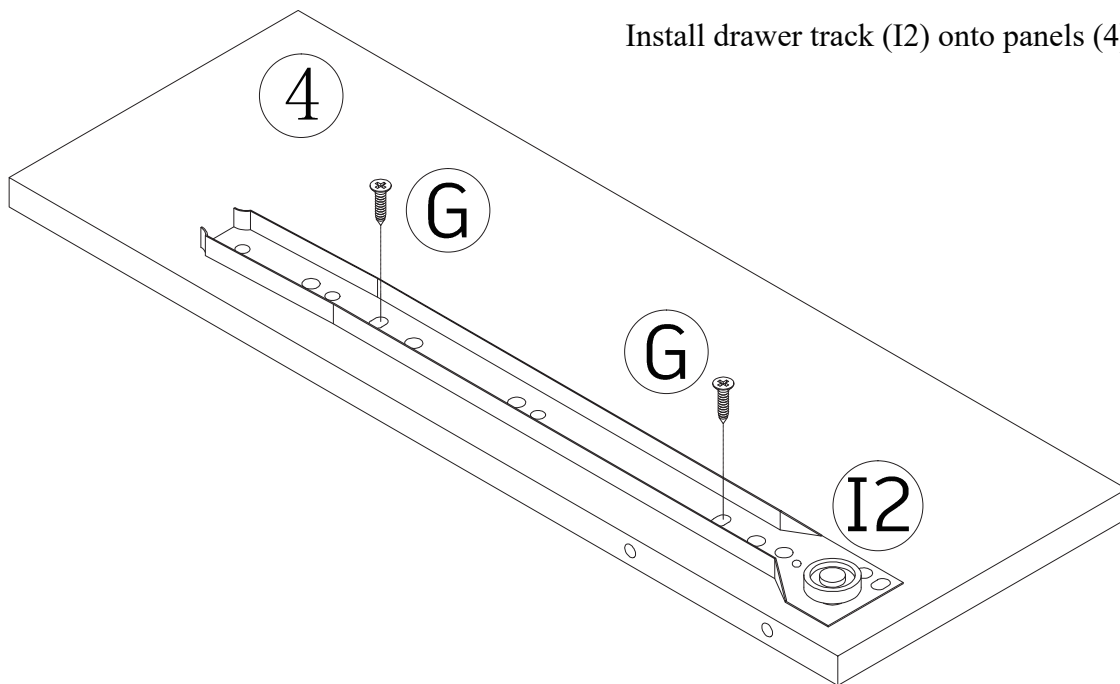
Install

7

<p>G x 2</p>  <p>Ø3 x 12 mm</p>	<p>I 2x 1</p>  <p>I1 I2</p>	<p>4 x 1</p>		
--	--	--------------	---	---


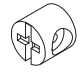

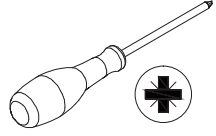


Install drawer track (I2) onto panels (4).


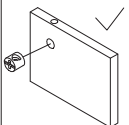
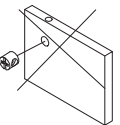


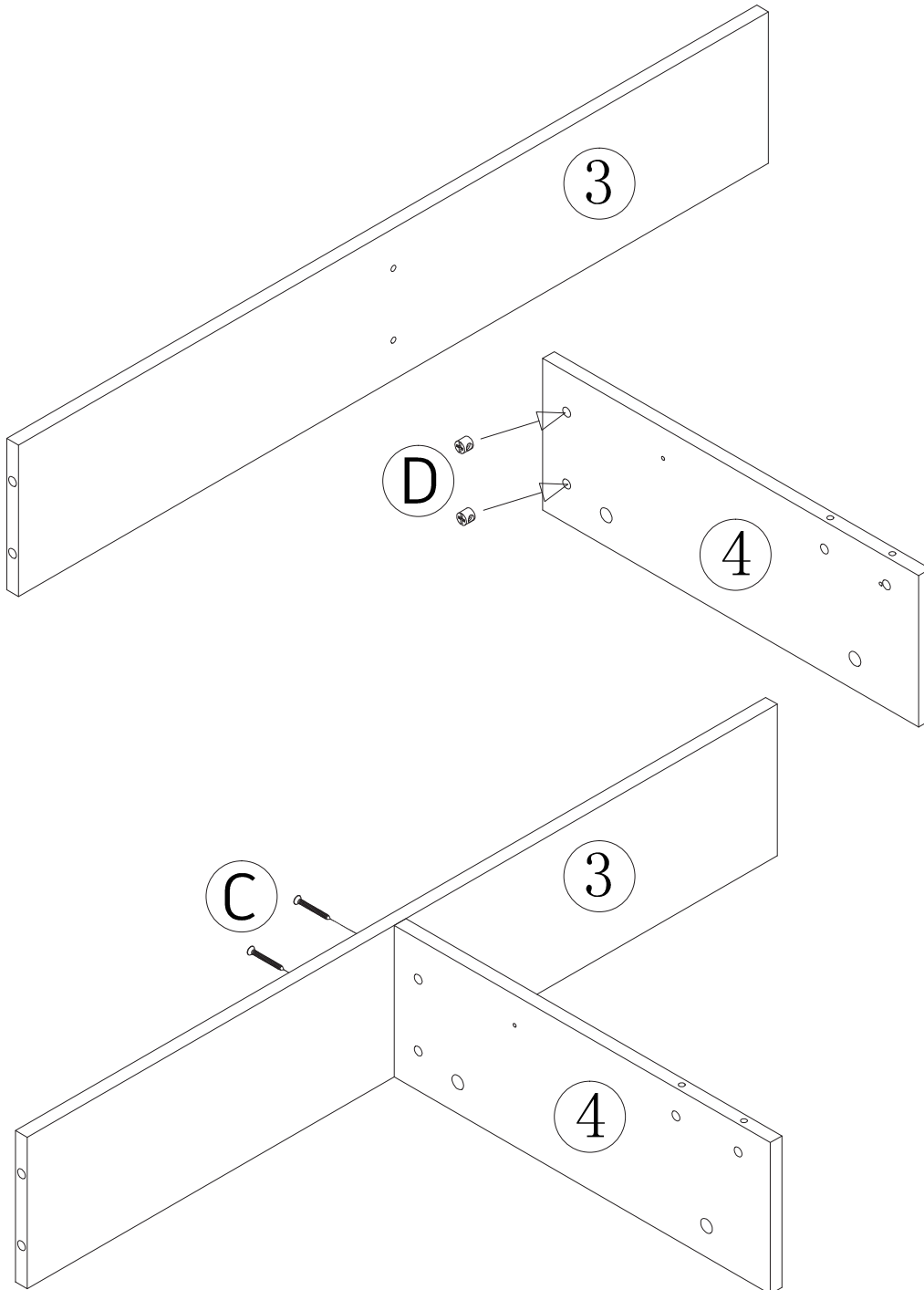
Install

8

C x 2  Ø 4 x 40 mm	D x 2  Ø 10 x 9 mm	3 x 1 4 x 1		
---	---	--------------------	---	---




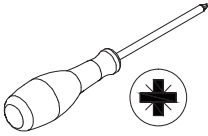
Insert Part (D) into panel (4).
Use screw (C) to pass through the holes in
panel (3) and screw into panel (4).

		
---	---	---


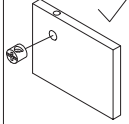
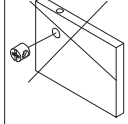


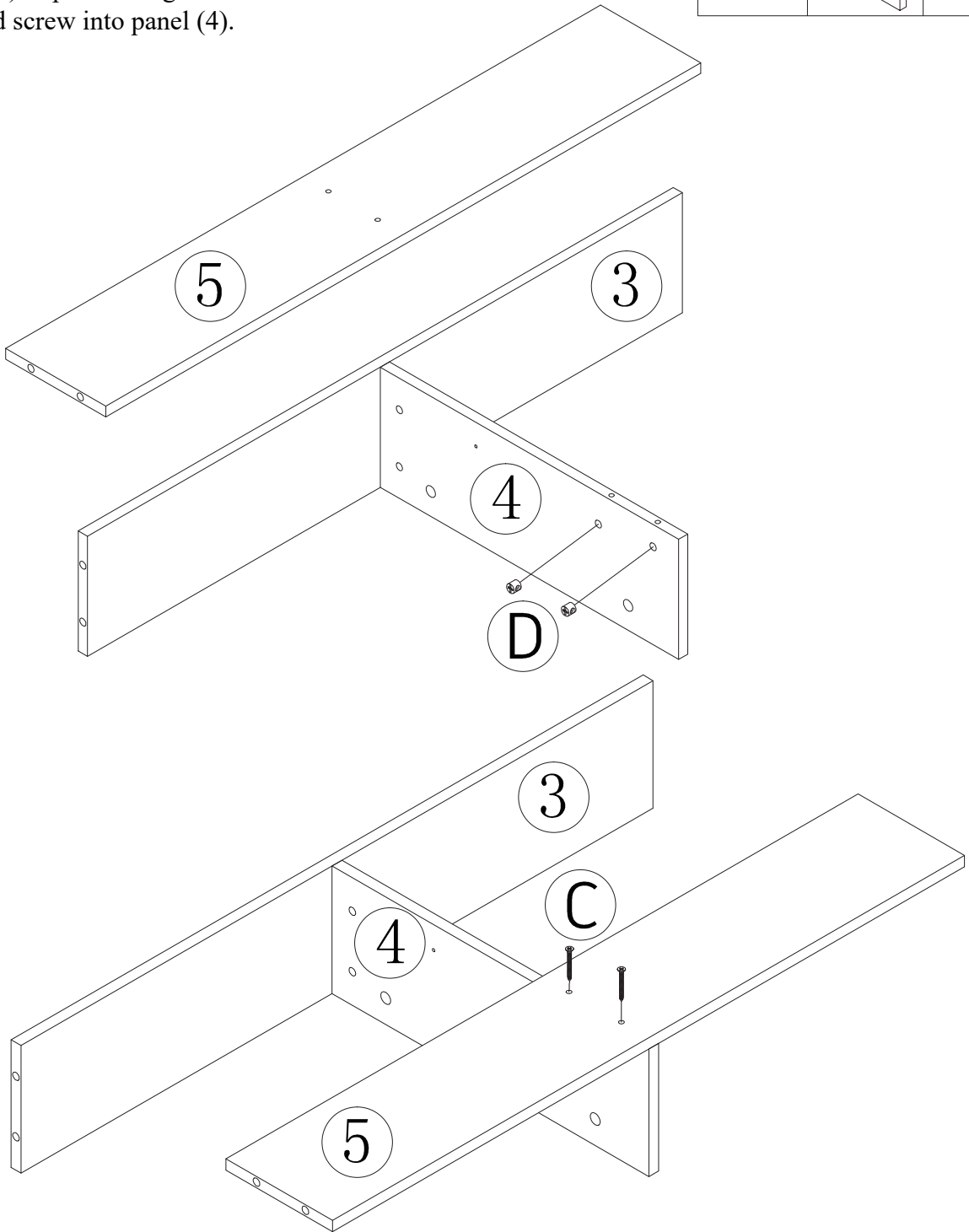
Install

9

<p>C x 2</p>  <p>Ø 4 x 40 mm</p>	<p>D x 2</p>  <p>Ø 10 x 9 mm</p>	<p>3 x 1</p> <p>4 x 1</p> <p>5 x 1</p>		
---	---	--	---	---

Insert Part (D) into panel (4).
Use screw (C) to pass through the holes in panel (5) and screw into panel (4).

		
---	---	---

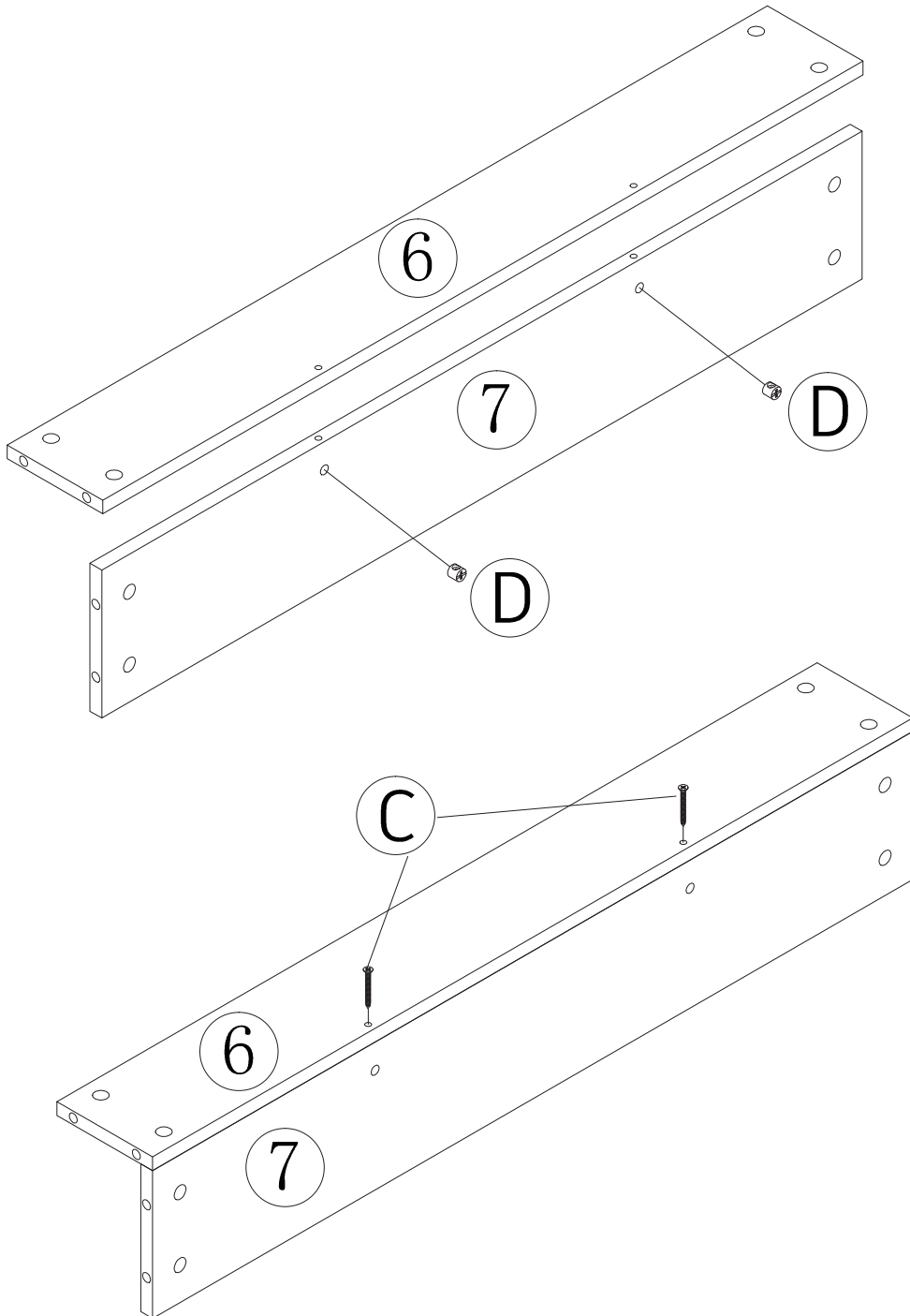
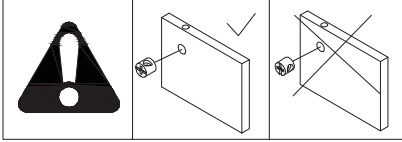


Install

10

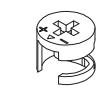

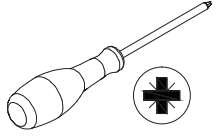
C x 2  Ø 4 x 40 mm	D x 2  Ø 10 x 9 mm	6 x 1 7 x 1	 
---	---	--------------------	--

Insert Part (D) into panel (7).
Use screw (C) to pass through the holes in
panel (6) and screw into panel (7).

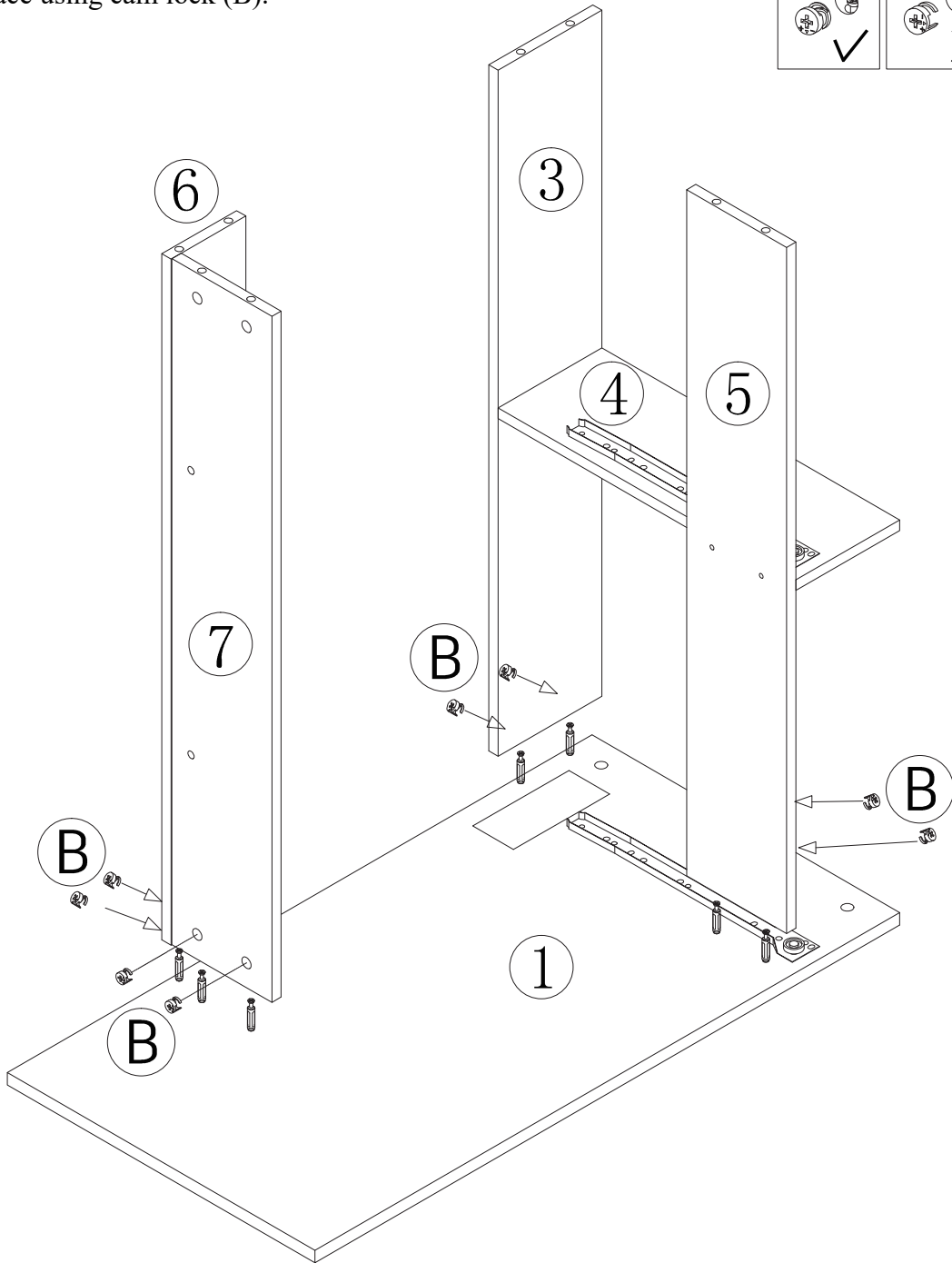
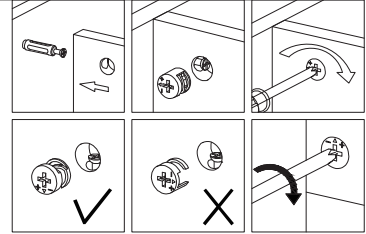


Install

11

 B x 8 Ø12 x 10 mm	1 x 1	3 x 1	4 x 1	 
	5 x 1	6 x 1	7 x 1	

Align screw (A) on panel (1) with the holes in the panel (3),(5),(6) and (7).
Secure it in place using cam lock (B).

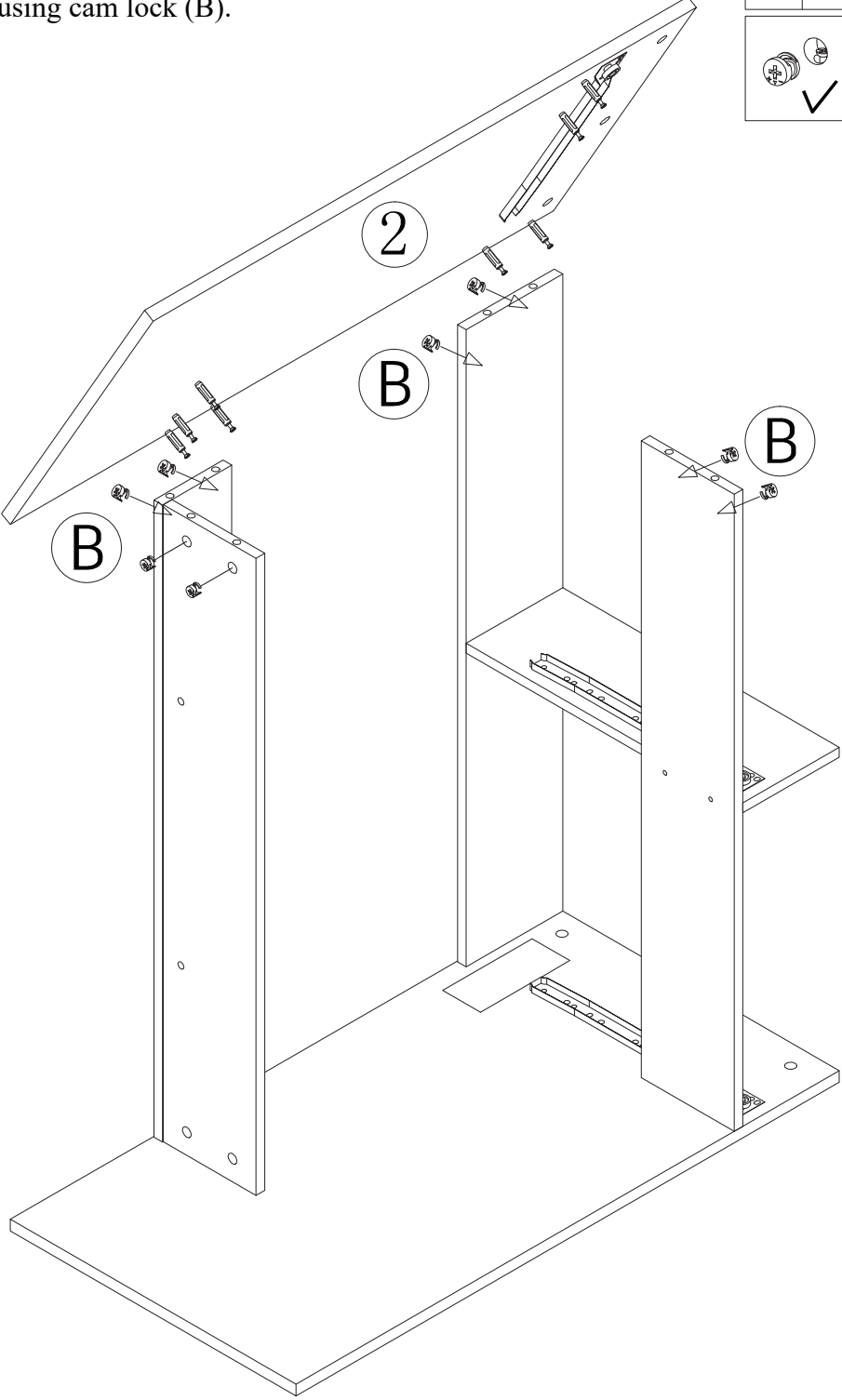
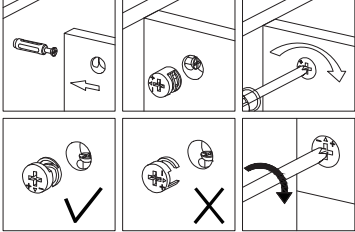


Install

12


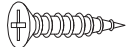

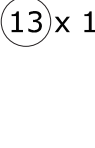

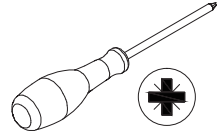
<p>B x 8</p>  <p>Ø12 x 10 mm</p>	<p>2 x 1</p>		
---	--------------	---	---

Align screw (A) on panel (2) with the holes in the parts assembled in Step 11. Secure it in place using cam lock (B).

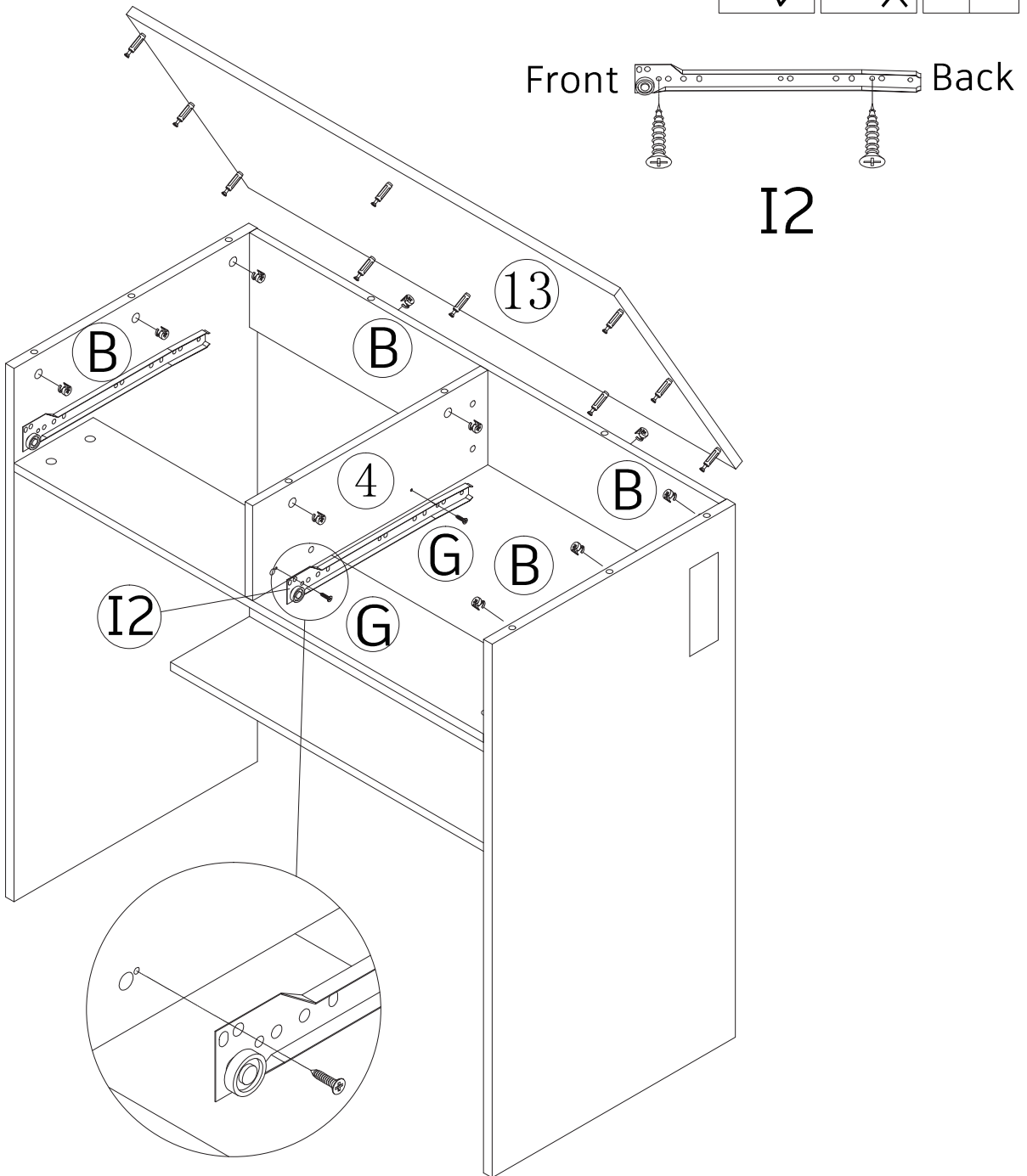
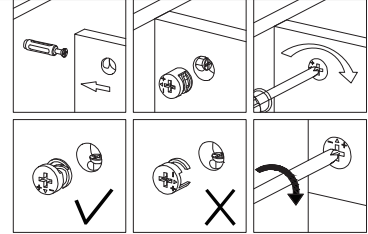


Install

13



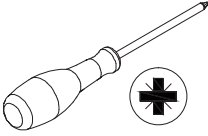
<p>B x 10</p>  <p>Ø12 x 10 mm</p>	<p>G x 2</p>  <p>Ø3 x 12 mm</p>	<p>I 2x 1</p>  <p>I1 I2</p>	<p>13 x 1</p> 		
--	--	--	---	---	---

Align screw (A) on panel (13) with the holes shown in the illustration.
 Cover the panel and secure the screws in place using cam lock (B).
 Next, install track (I2) onto panel (4) and secure it with screw (G).



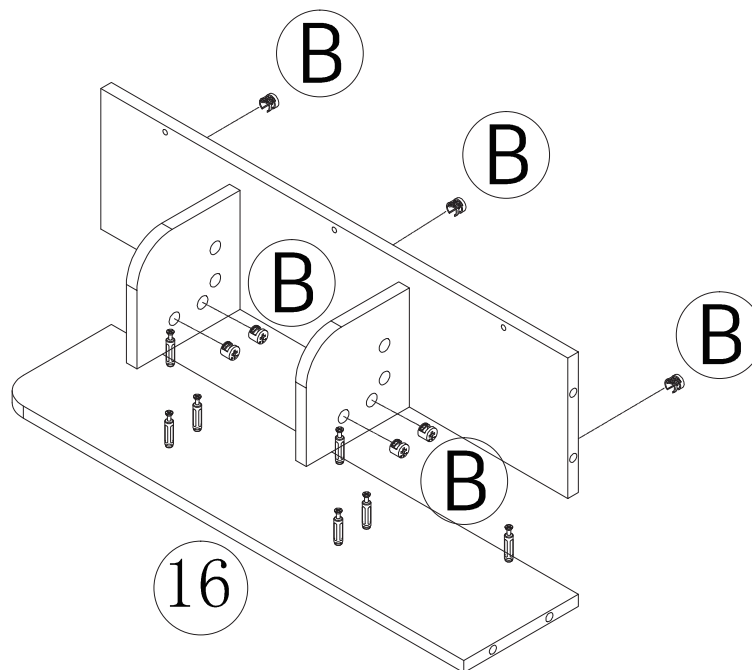
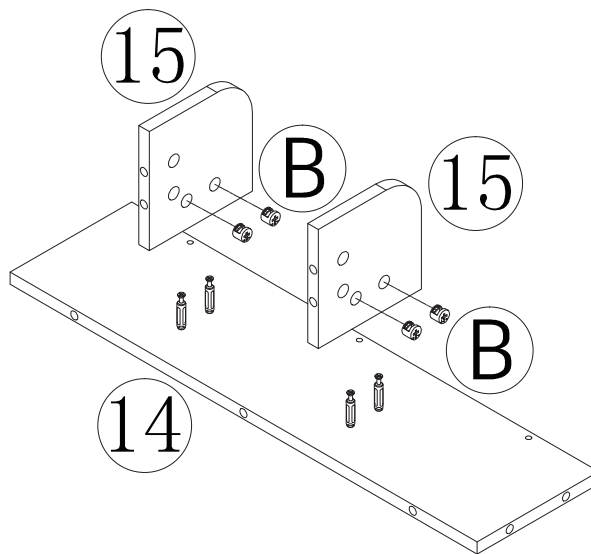
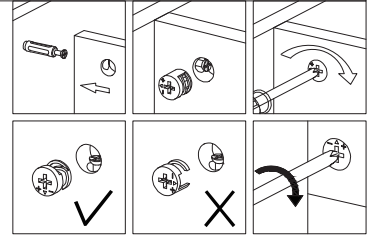
Install

14

B x 11  Ø12 x 10 mm	(14) x 1 (15) x 2 (16) x 1		
--	----------------------------------	---	---



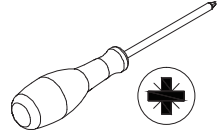
Align screw (A) on panel (14) with the holes in panel (15) and secure it in place using cam lock (B).

Next, align screw (A) on panel (16) with the holes in panels (14) and (15), and secure it in place using cam lock (B).



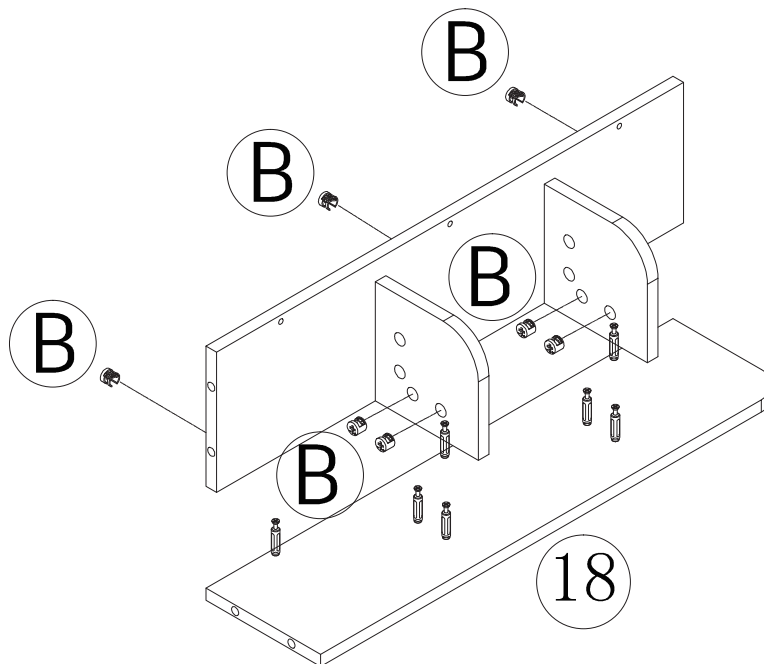
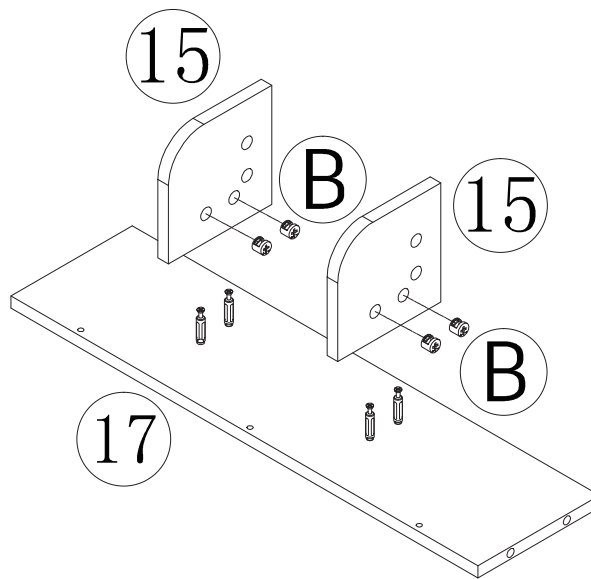
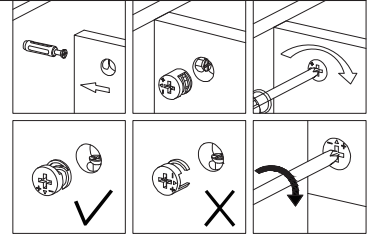
Install

15

B x 11  Ø12 x 10 mm	(15) x 2 (17) x 1 (18) x 1		
--	--------------------------------	---	---

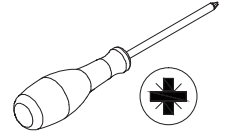
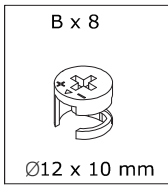
Align screw (A) on panel (17) with the holes in panel (15) and secure it in place using cam lock (B).

Next, align screw (A) on panel (18) with the holes in panels (17) and (15), and secure it in place using cam lock (B).

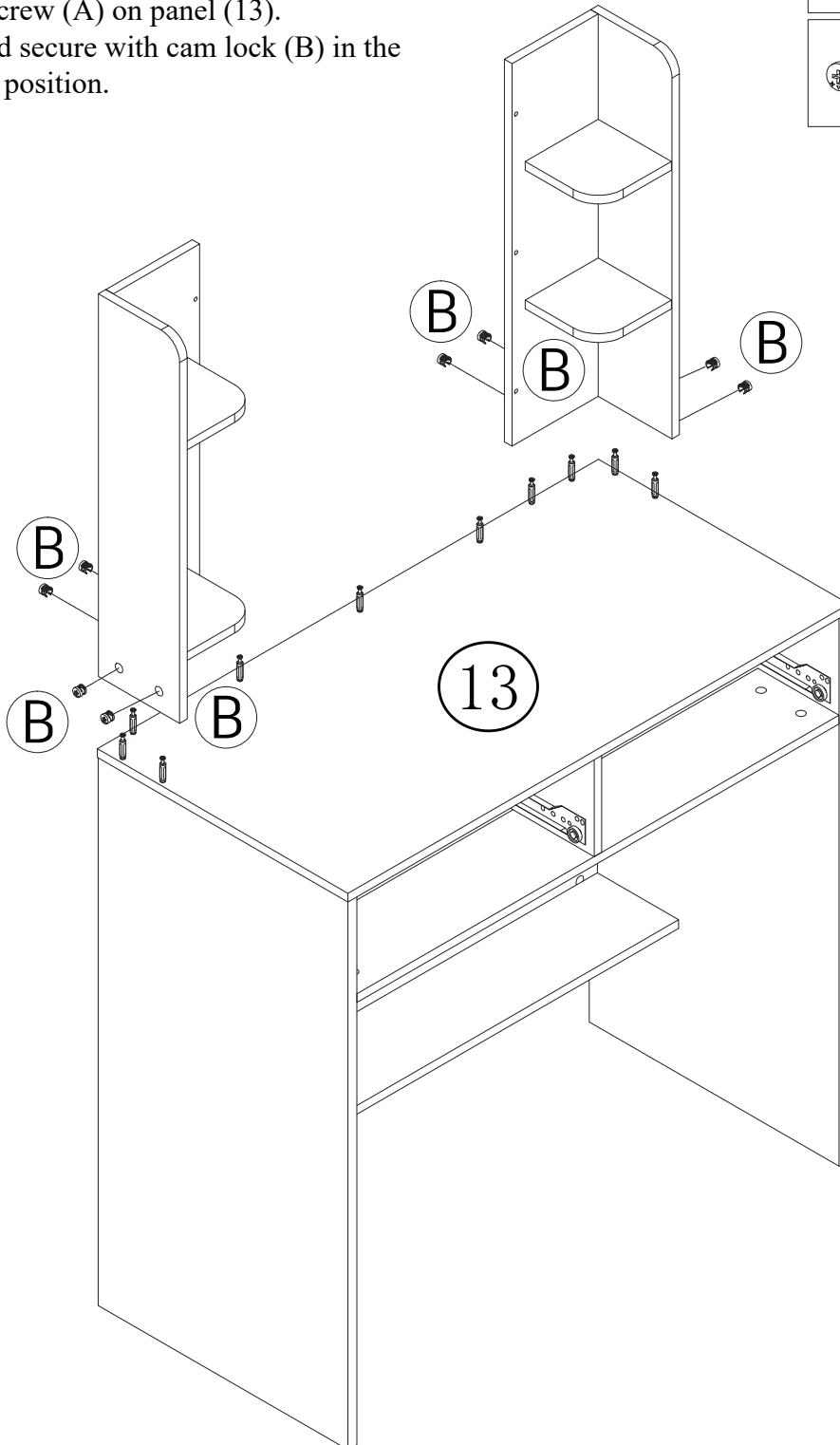
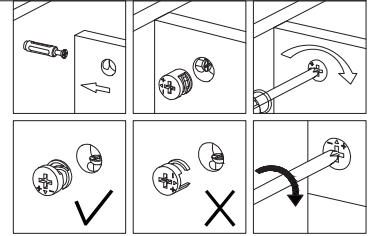


Install

16



Align the hole on the assembled components from Step 14 and Step 15 with screw (A) on panel (13).
Insert them and secure with cam lock (B) in the corresponding position.



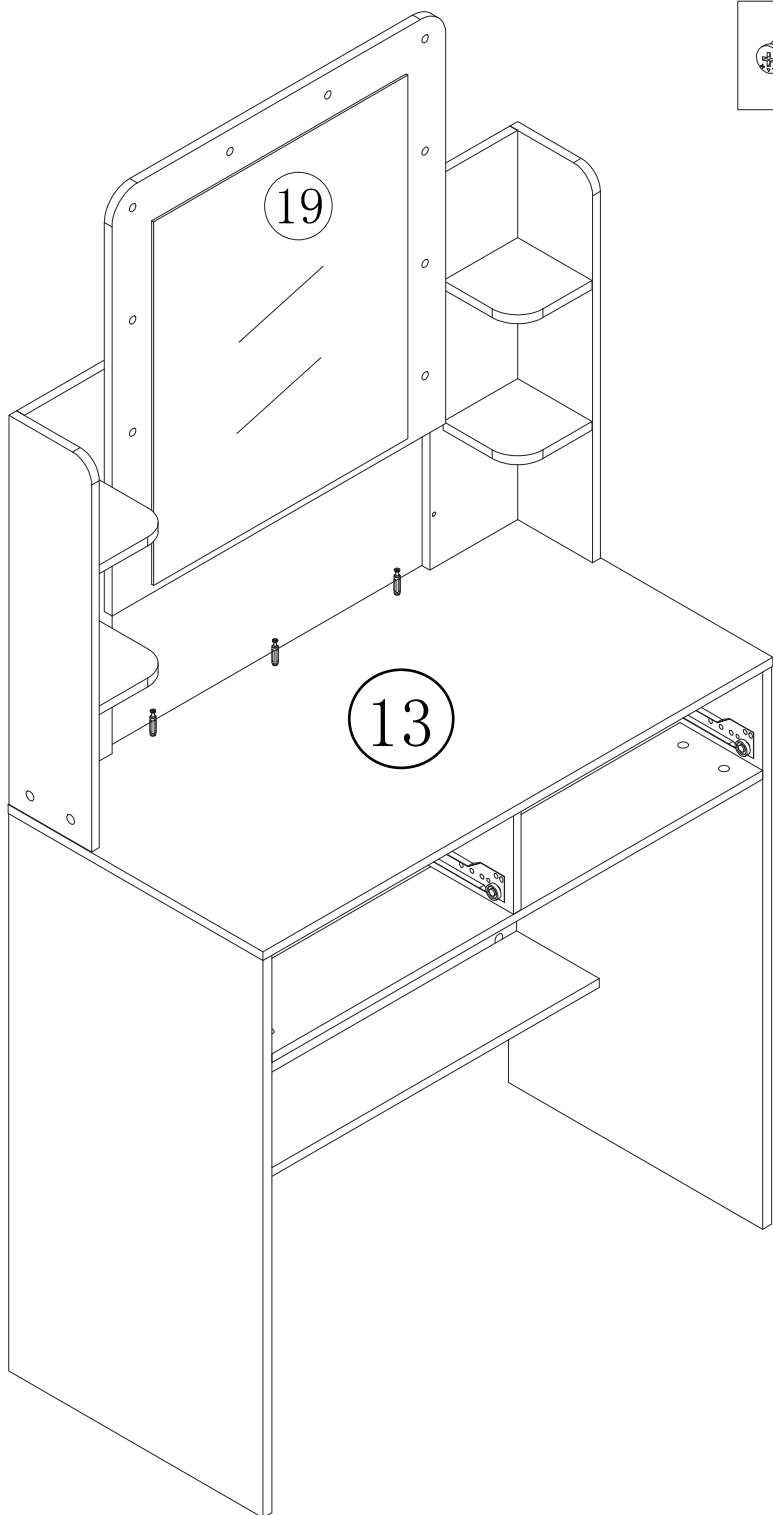
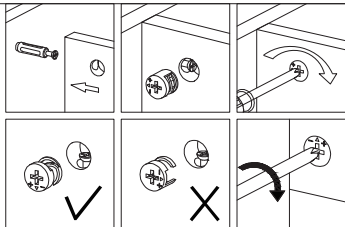
Install

17

19 x 1



Align screw (A) on panel (13) with the holes in the panel (19).

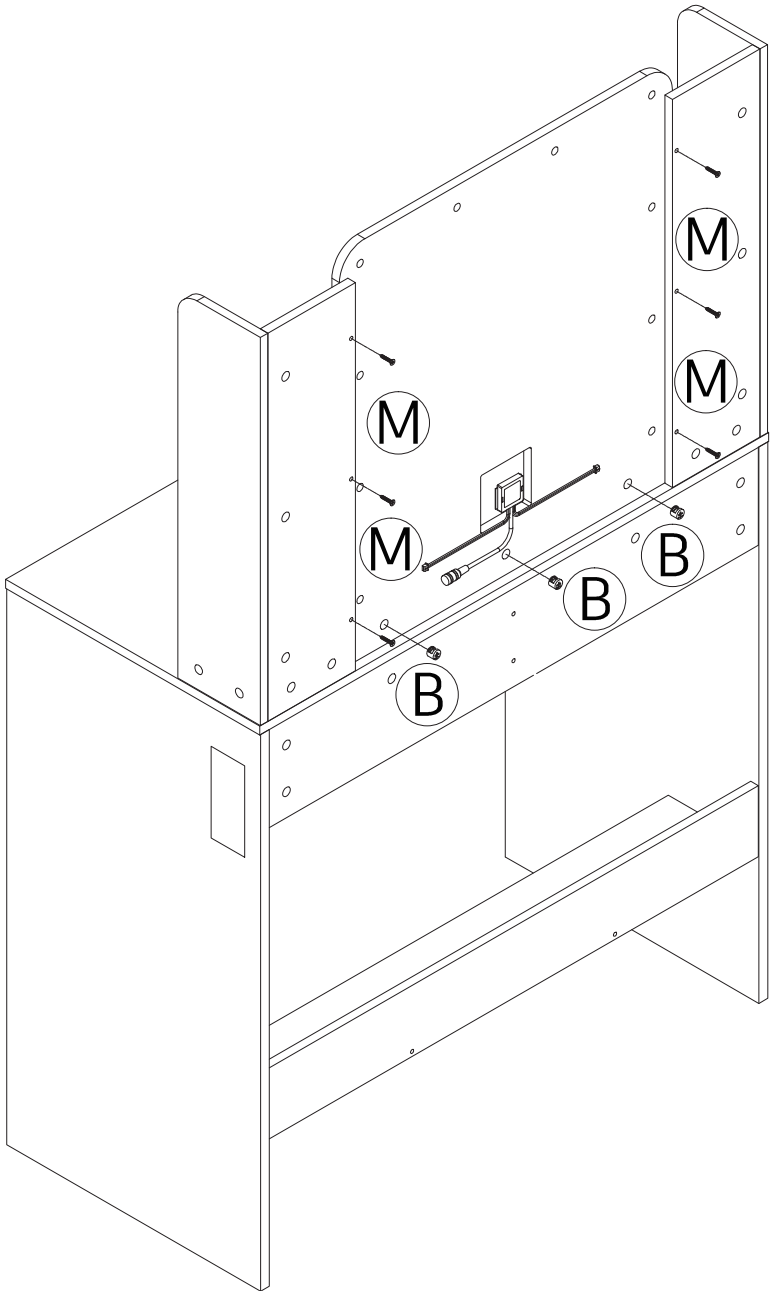
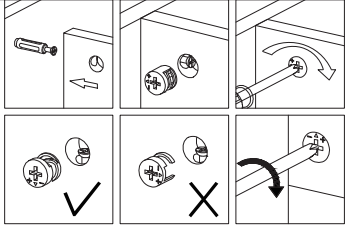


Install

18

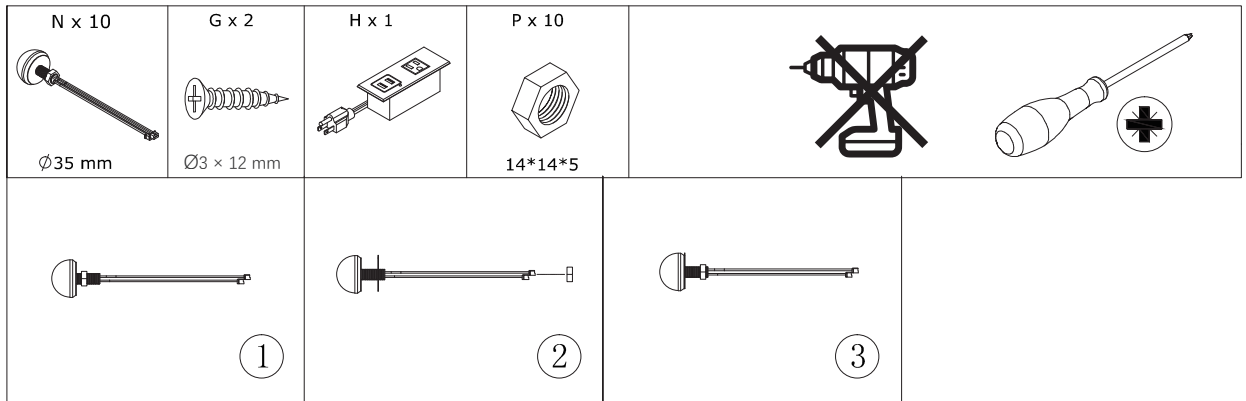
<p>B x 3</p>  <p>Ø12 x 10 mm</p>	<p>M x 6</p>  <p>Ø4x 20 mm</p>		
---	---	---	---

Insert panel (19) and secure it in place using cam lock (B).
Next, secure panels (14) and (17) to panel (19) with screw (M).

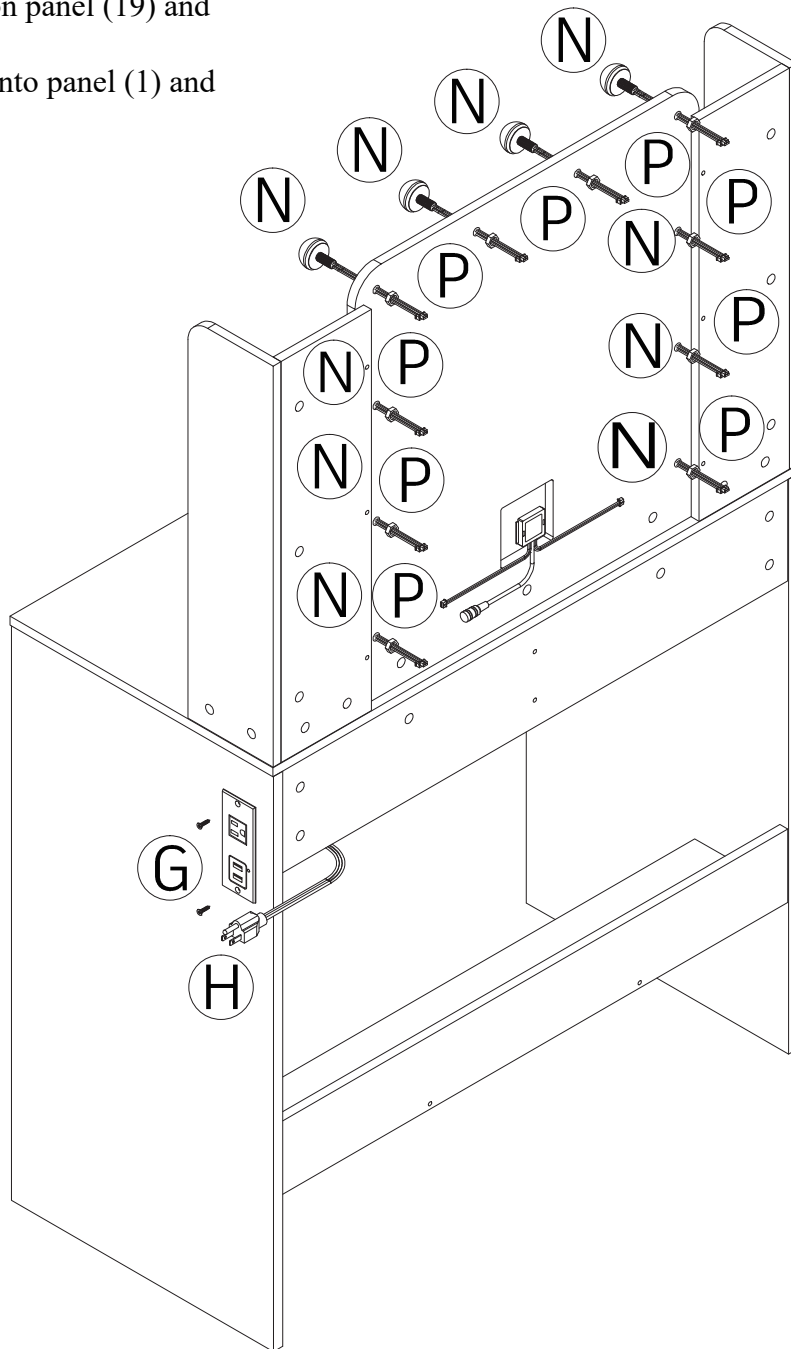


Install

19



Insert bulb (N) into the hole on panel (19) and secure it with nut (P).
 Next, install power strip (H) into panel (1) and secure it with screw (G).

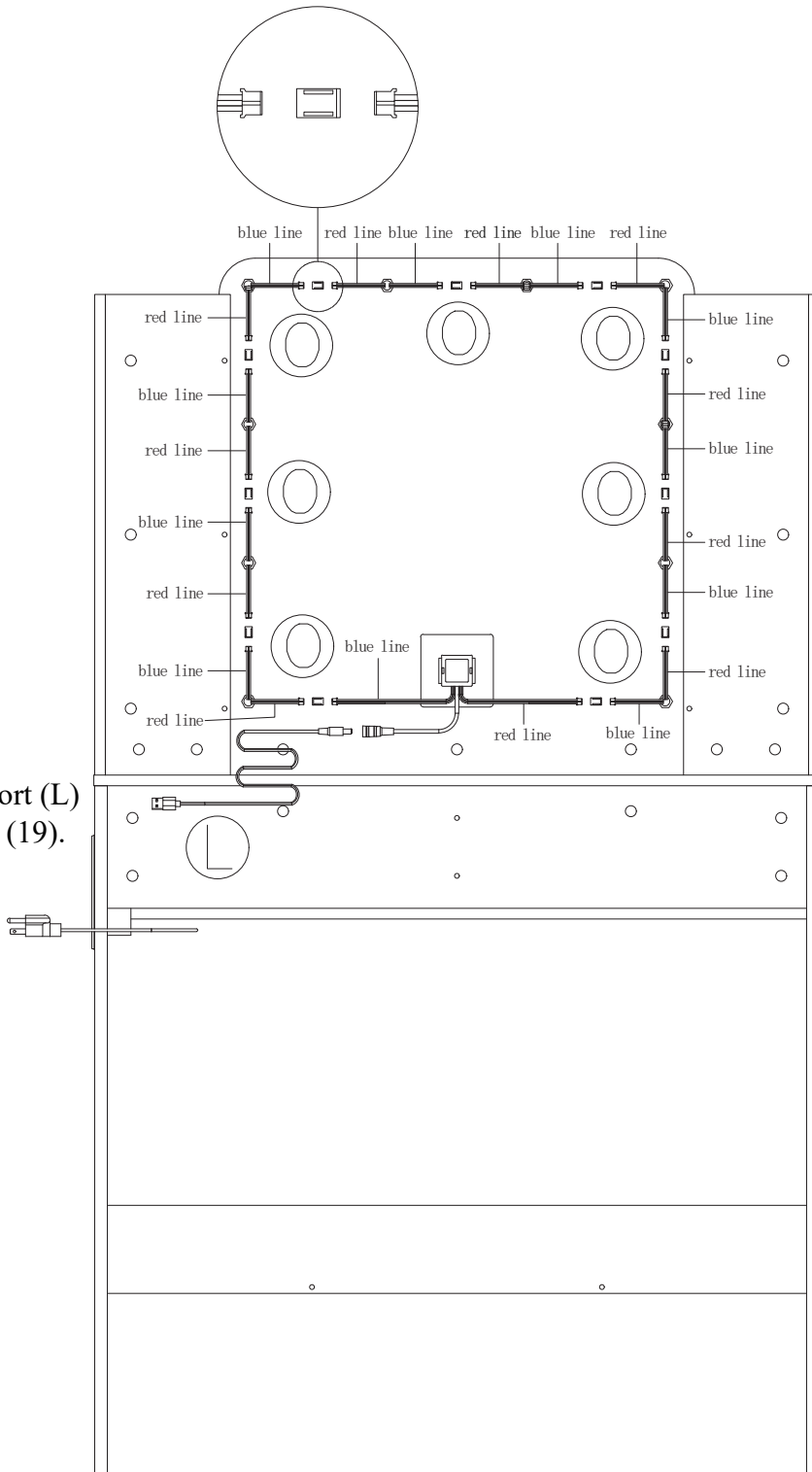


Install

20

<p>O x 11 12*8*6</p> 	<p>L x 1 USB Line</p> 	
--	---	--

Connect the red wire and the blue wire on panel (19), and secure them with part (O).
Note: Wires of the same color must not be connected!

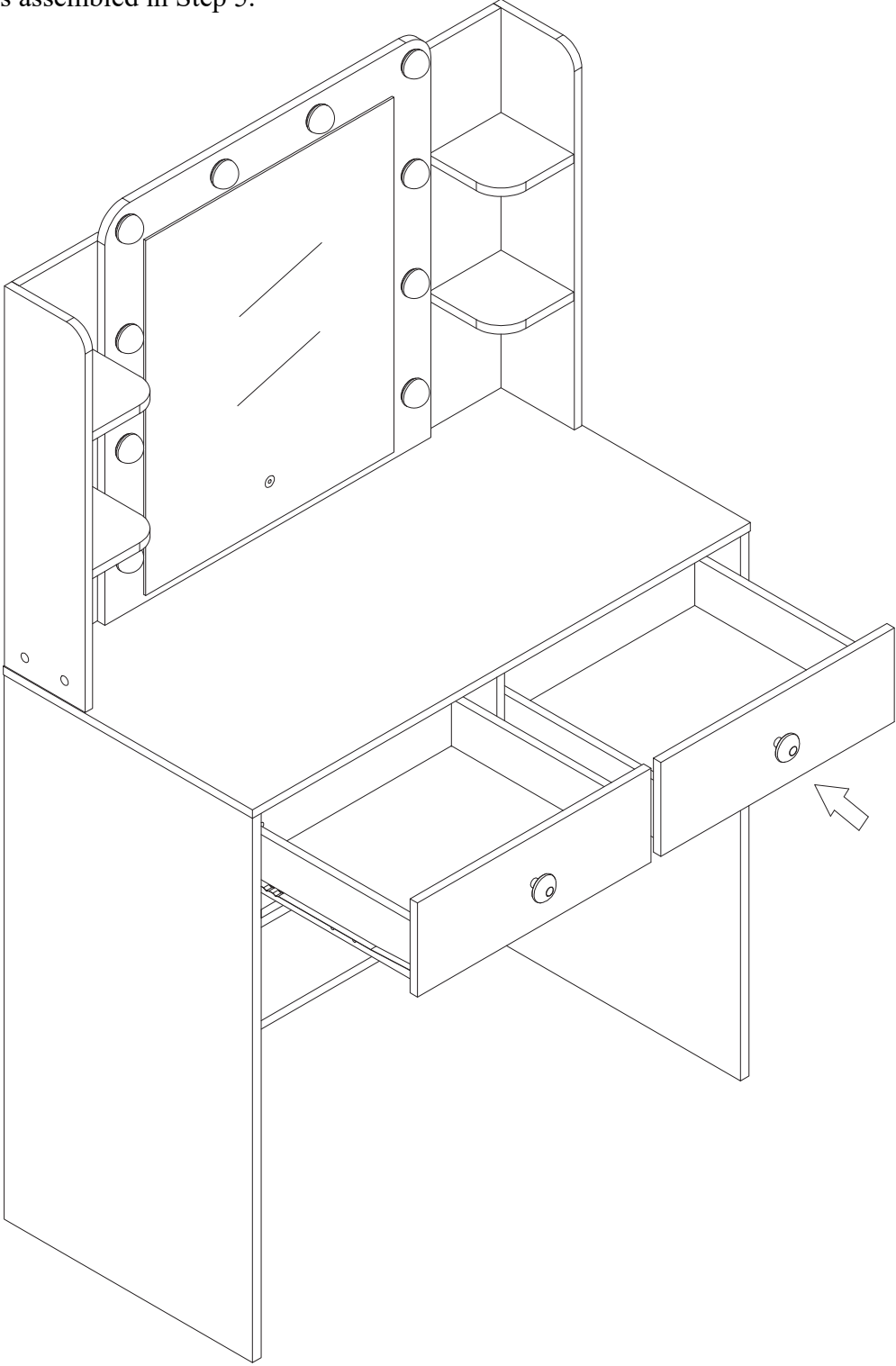


Connect the USB port (L) to the port on panel (19).

21



Insert the 2 drawers assembled in Step 5.

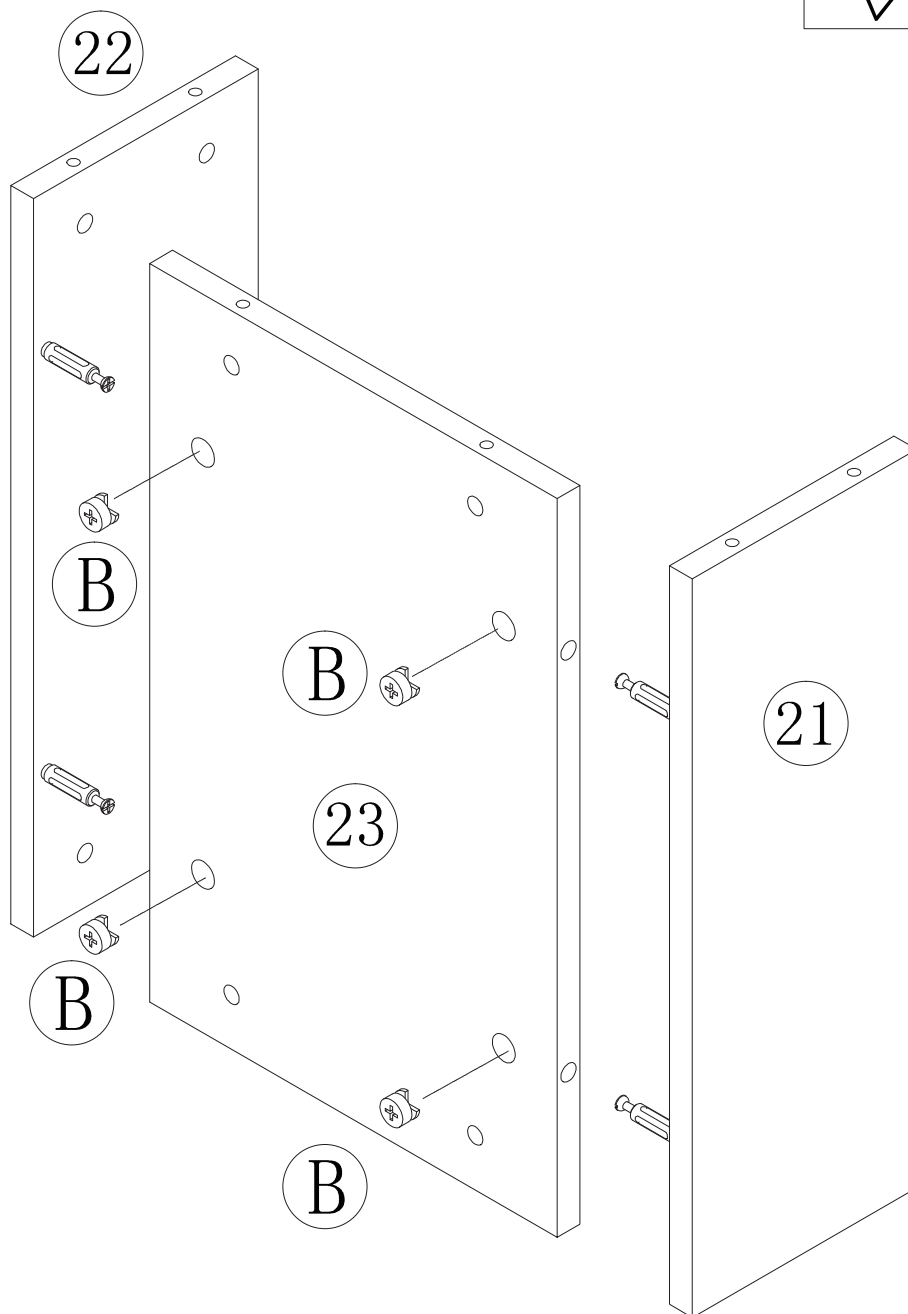
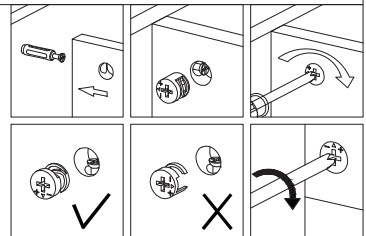


Install

22

B x 4  Ø12 x 10 mm	(21) x 1 (22) x 1		
	(23) x 1		


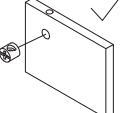
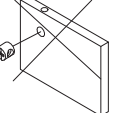
Align screw (A) on panels (21) and (22) with the holes in panel (23) and secure them in place using cam lock (B).



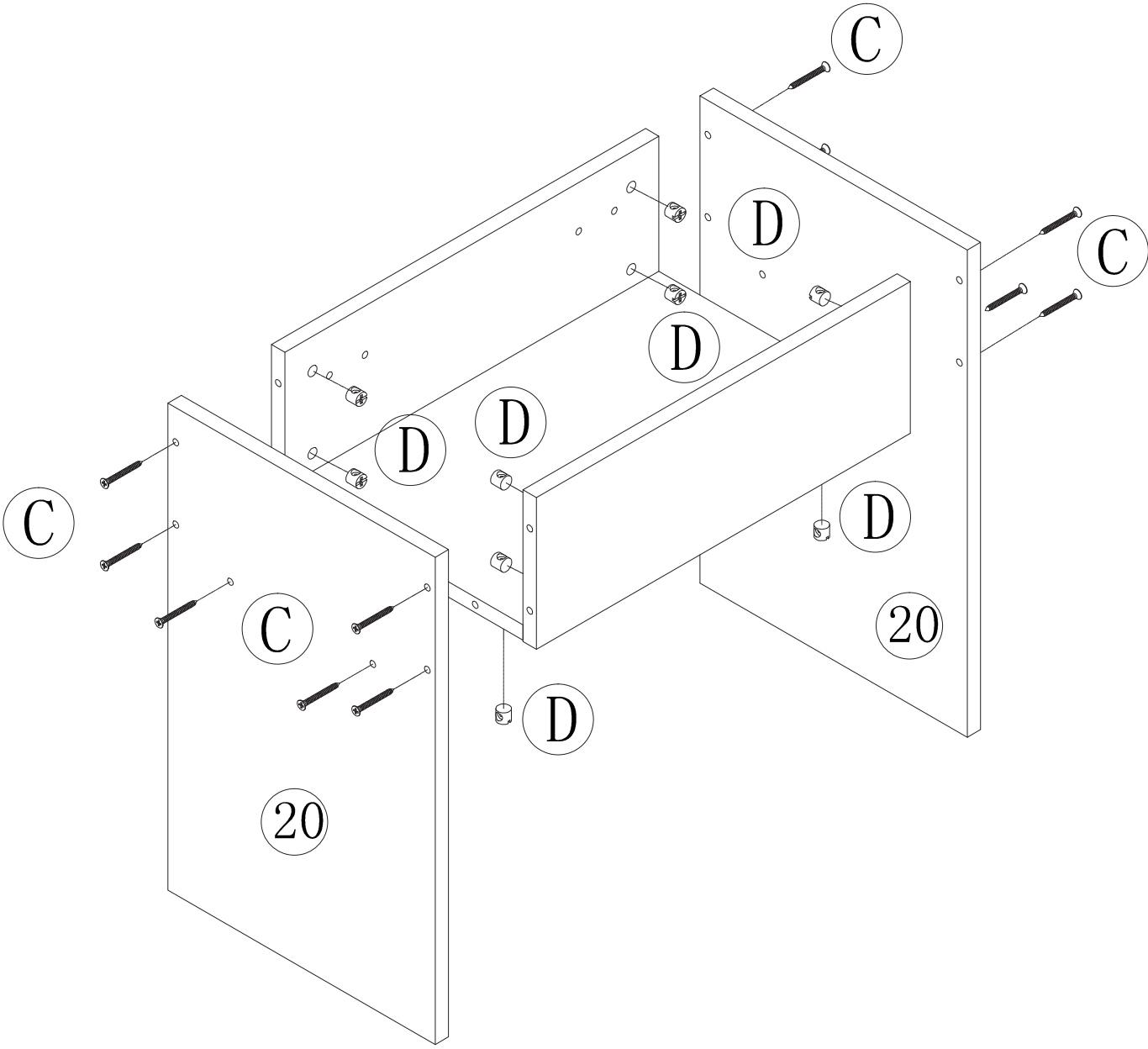
Install

23

<p>C x 12</p>  <p>Ø 4 x 40 mm</p>	<p>D x 12</p>  <p>Ø 10 x 9 mm</p>	<p>20 x 2</p>		
--	--	---------------	---	---


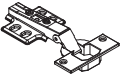
		
---	---	---

Insert part (D) into panels (21), (22), and (23).
Use screw (C) to pass through the hole in panel (20) and insert it into panels (21), (22), and (23), securing it with part (D).

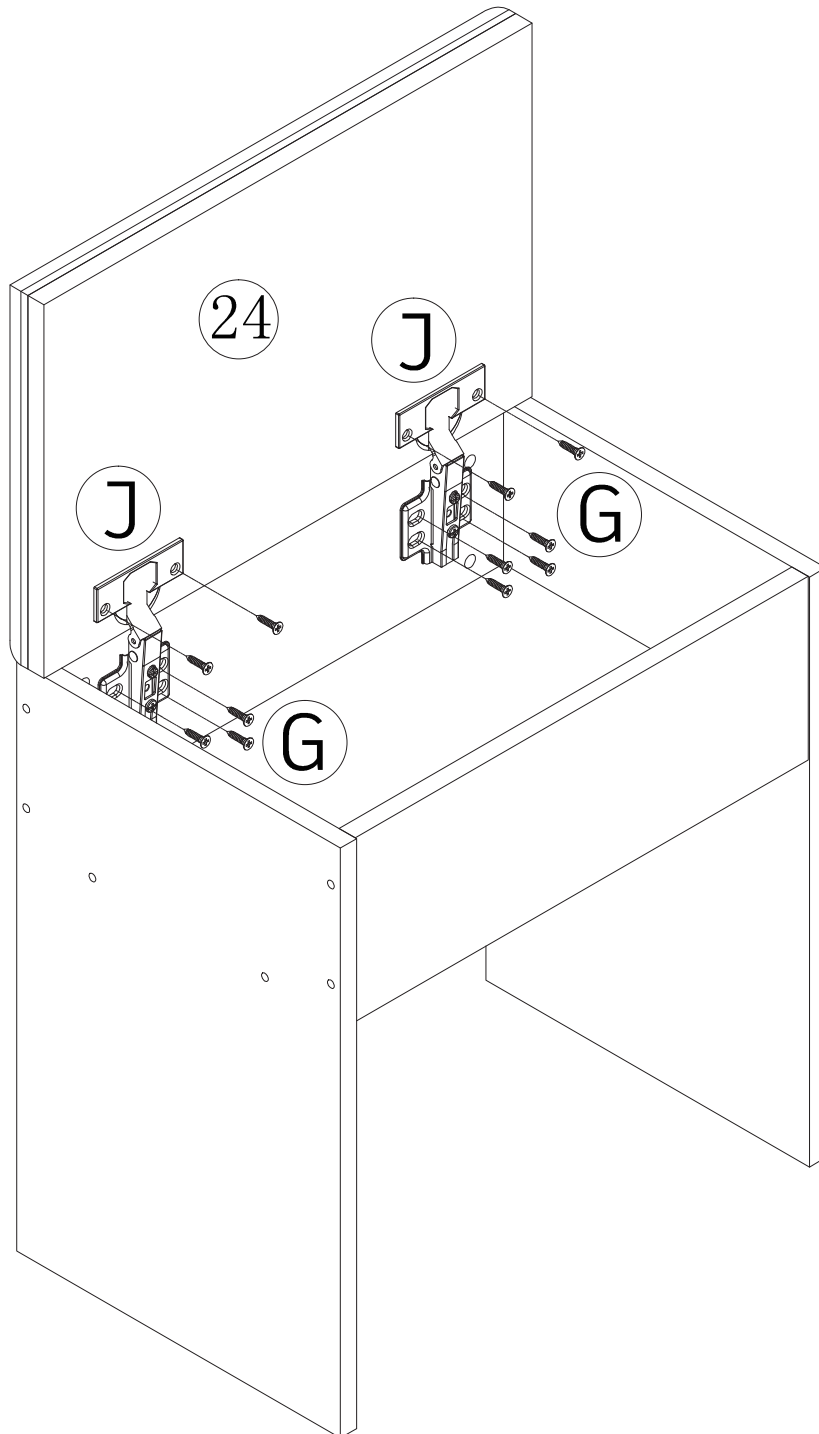


Install

24

<p>G x 12</p>  <p>Ø 3 x 12 mm</p>	<p>J x 2</p> 	<p>24 x 1</p> 		
--	--	---	---	---

Use part (J) to connect cushion (24) to the assembly from Step 23, and secure it in place with screws (G).

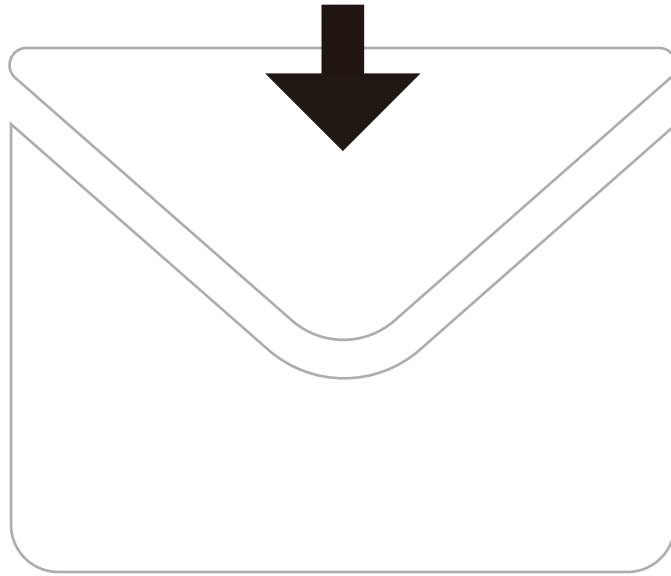


- **Usage of touch sensitive light strip**
- **Three-color switching + stepless dimming**
- **Turn it on for white light, click again for warm light, and click for the third time for neutral light;**

you can long press stepless dimming under different colors of lights.

- Turn on for white light and long press for dimming
- Click again for warm light and long press for dimming
- Third click for neutral light and long press for dimming
- Last click to turn off the light





We' d Love to hear from you!

Thank you for your purchase of our product!
If you encounter any problems, please give us an opportunity to improve your experience right away, our team members are more than happy to help.

We also welcome you to post a product review so that others could benefit from your experience. Thanks again for your support, feedback and time.