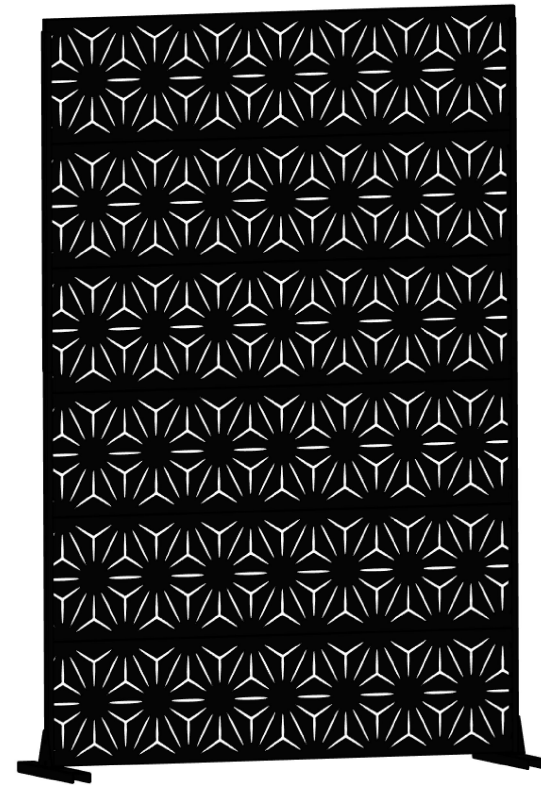


# Outdoor Privacy Screen

## Assembly Instruction



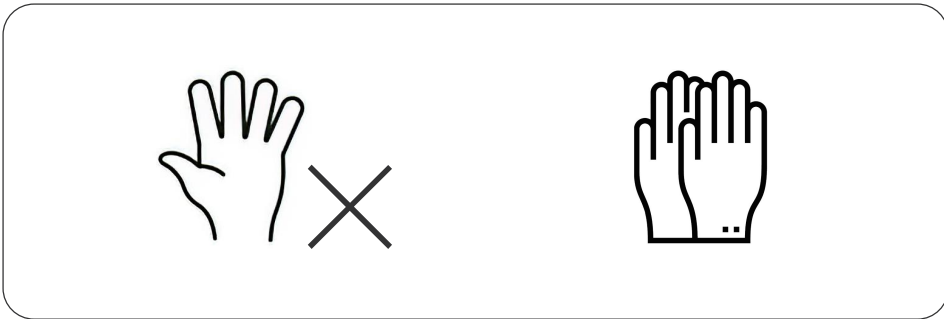
size: 1830\*1200

# Before Assembling

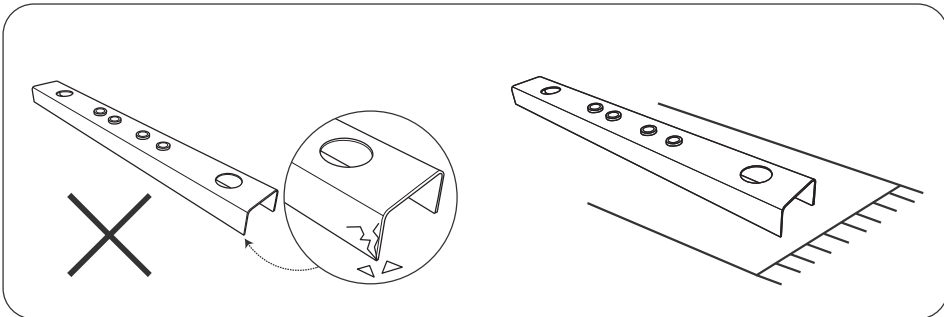
If the privacy screen will be used in a strong wind area, we highly recommend you using four Hex-Head Sleeve Anchors to fix the privacy screen on solid ground.

Before assembling, we recommend:

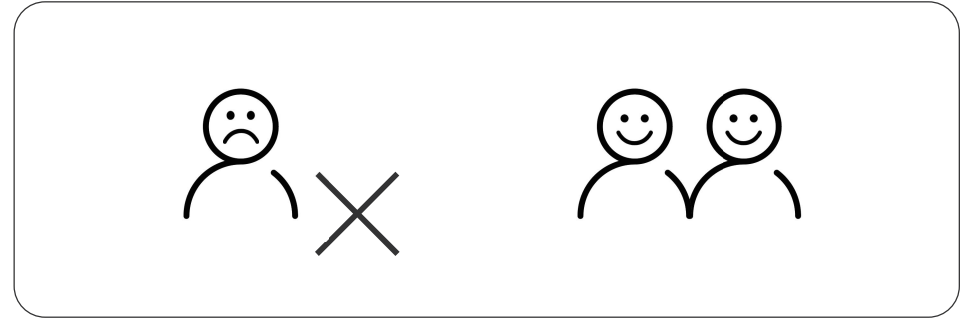
1. Wear Gloves.



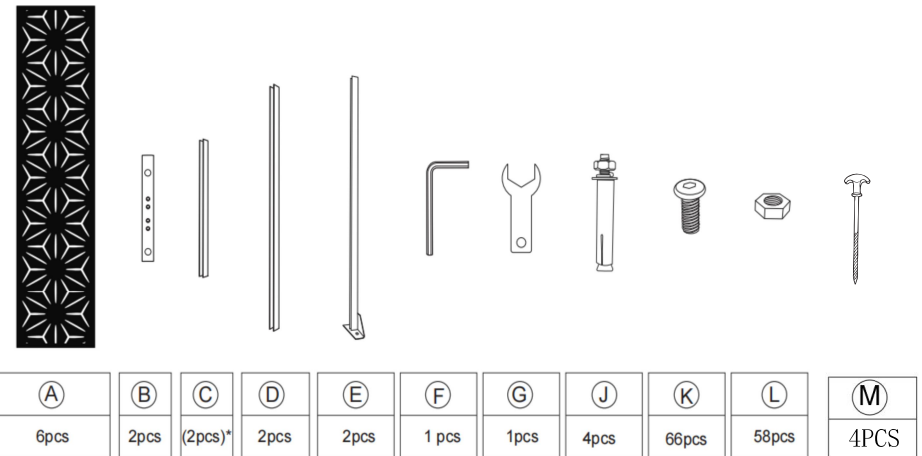
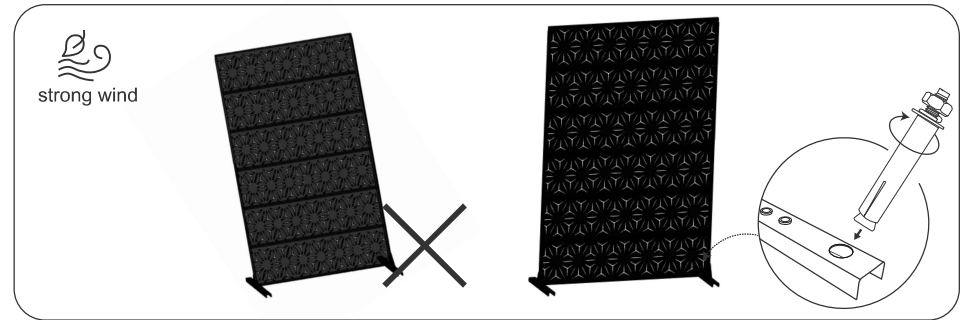
2. Assembling on a soft mat to prevent from scratch and scuff marks.



3. Ask for a Helping Hand.

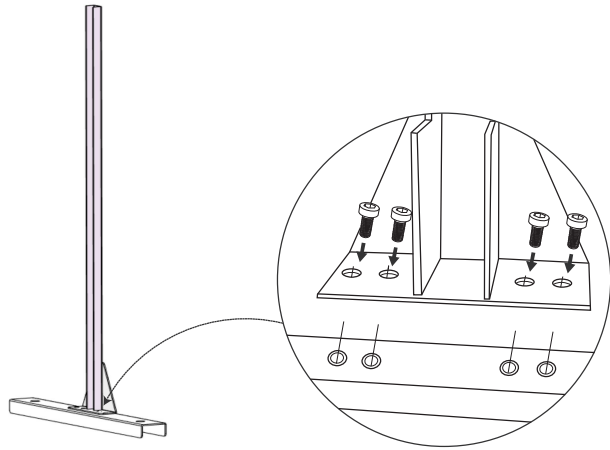


4. Use Hex-Head Sleeve Anchors to fix the privacy screen on solid ground if necessary.

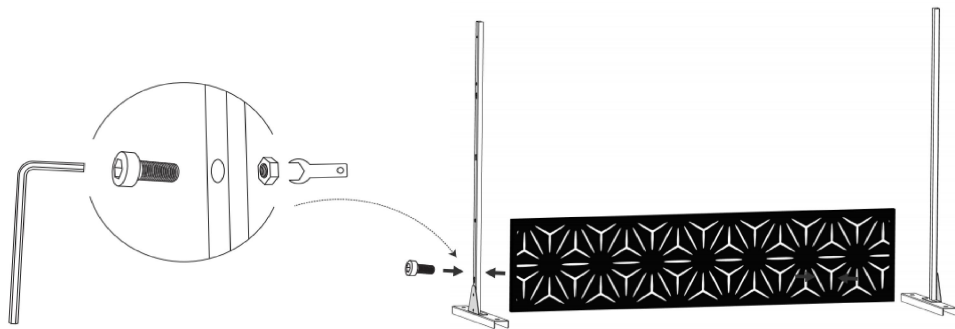


# Horizontally Install

1. Secure part E to base B using part H.

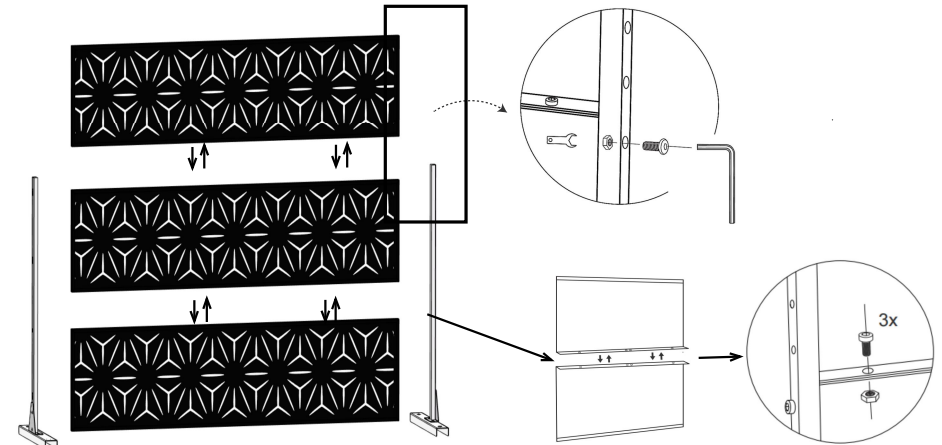


2. Use screw H to secure panel A and accessory E. Select the hole position ④.

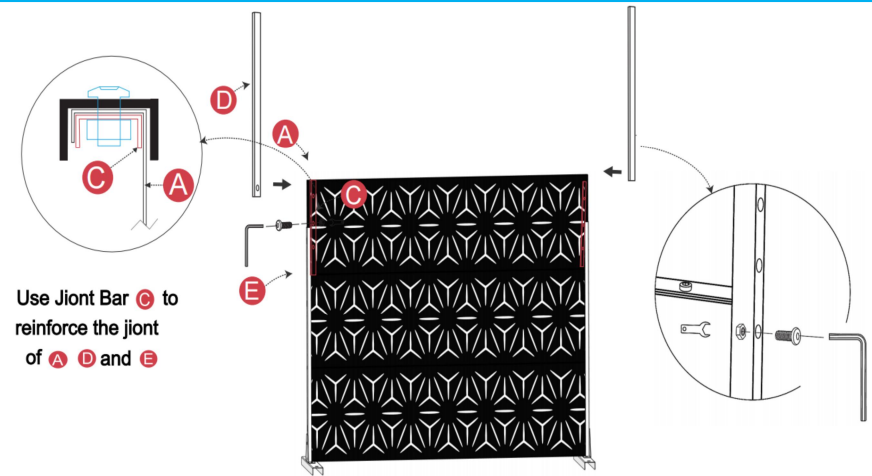


# Horizontally Install

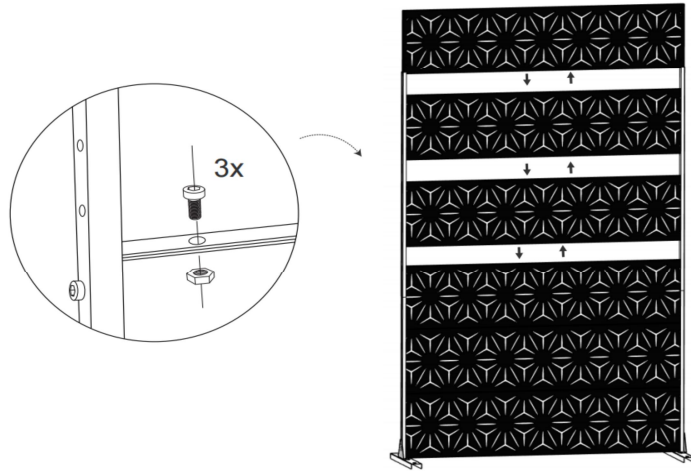
3. Fasten the bottom and middle panels A using screws.



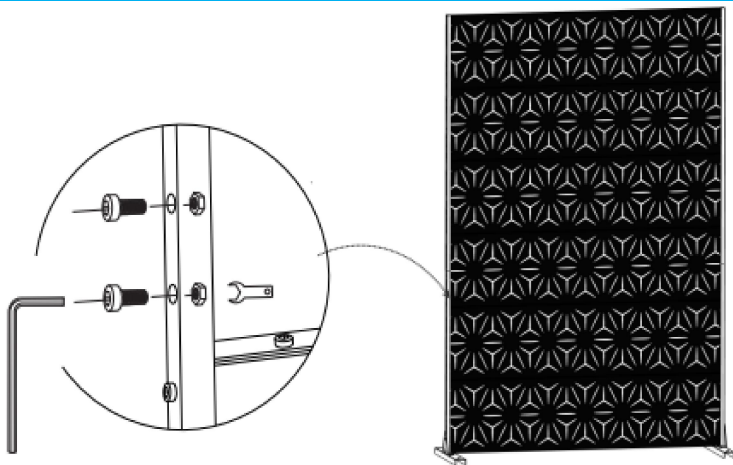
4. Fix the accessory stiffener C at the middle connection of accessory D and E with screw H.



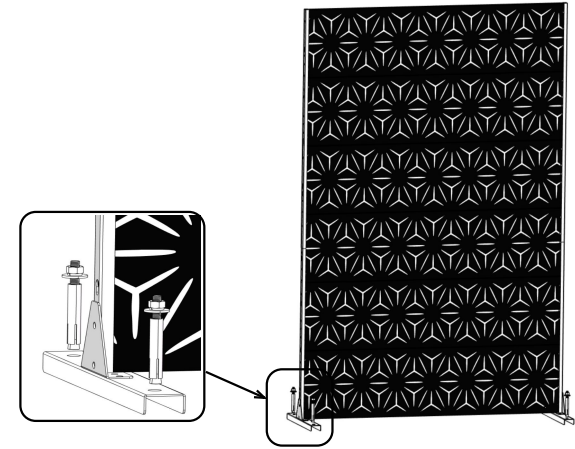
5. Place the last panel A directly into the fixed accessory D U-shape slot.



6. Fasten the accessory D&E to the panel A using screws.



7. Use accessory J to fix base B and accessory E on the ground.



8. Use accessory M to fix base B and accessory E on the ground.

