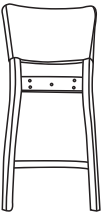
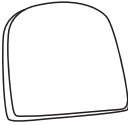
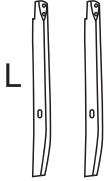
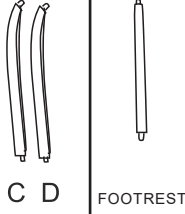
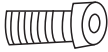
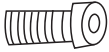


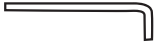

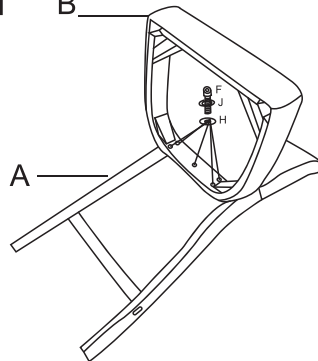


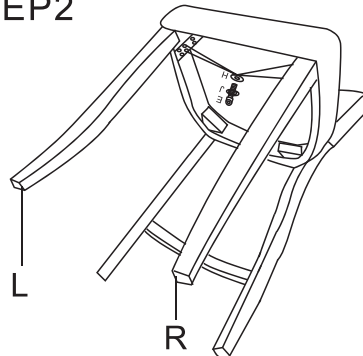
Ax1	Bx1	Cx2	Dx3	Ex4	Fx5	Gx6	Hx9	Ix1	Jx9
BACK	SEAT	FRONT LEGS	SIDESTRETCHERS-CD FOOTREST	SCREWS	SCREWS	TAPPING SCREWS	WASHER	SPANNER	SPRING WASHER
									
				M8x60mm	M8x50mm	M4.5x45mm			

STEP1



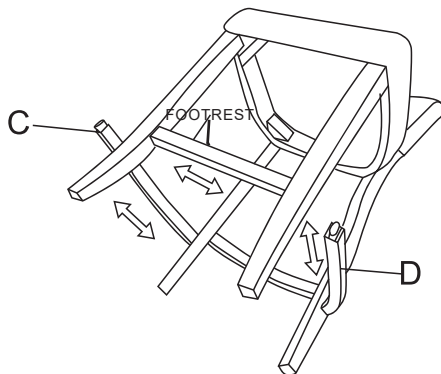
Loosely install the center bolt first, then loosely install both sides

STEP2



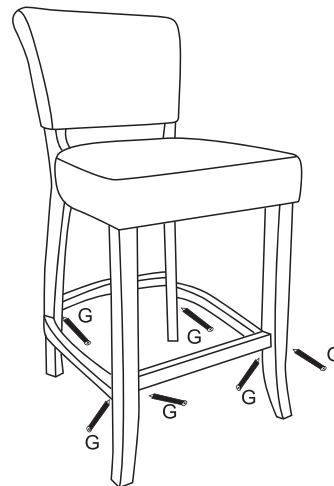
Firm pressure is required to push legs into the leg pockets

STEP3



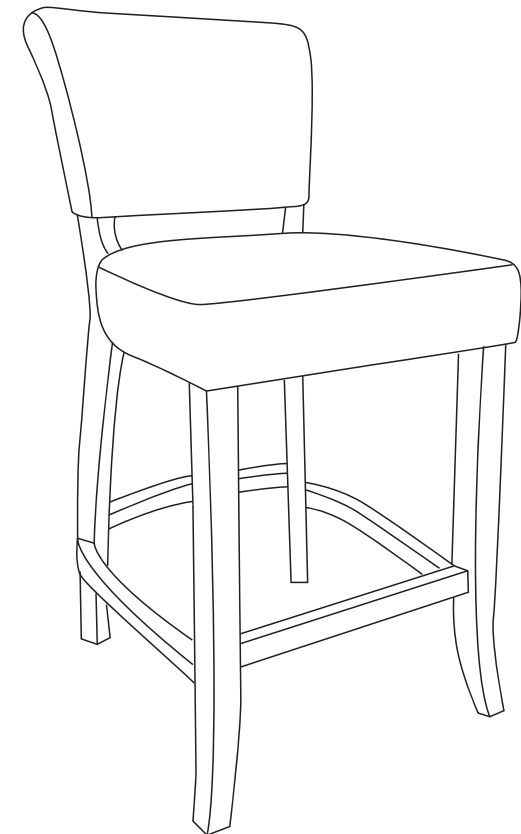
Note: Side stretchers are directional

STEP4



Tighten all bolts properly on even ground

ASSEMBLY INSTRUCTION



CLEANING OF PU\LEATHER COVER - WIPE CLEAN WITH A SOFT CLOTH MOISTENED WITH WATER AND NEUTRAL DETERGENT. DO NOT USE BLEACH,CHEMICAL OR BIOLOGICAL CLEANERS.