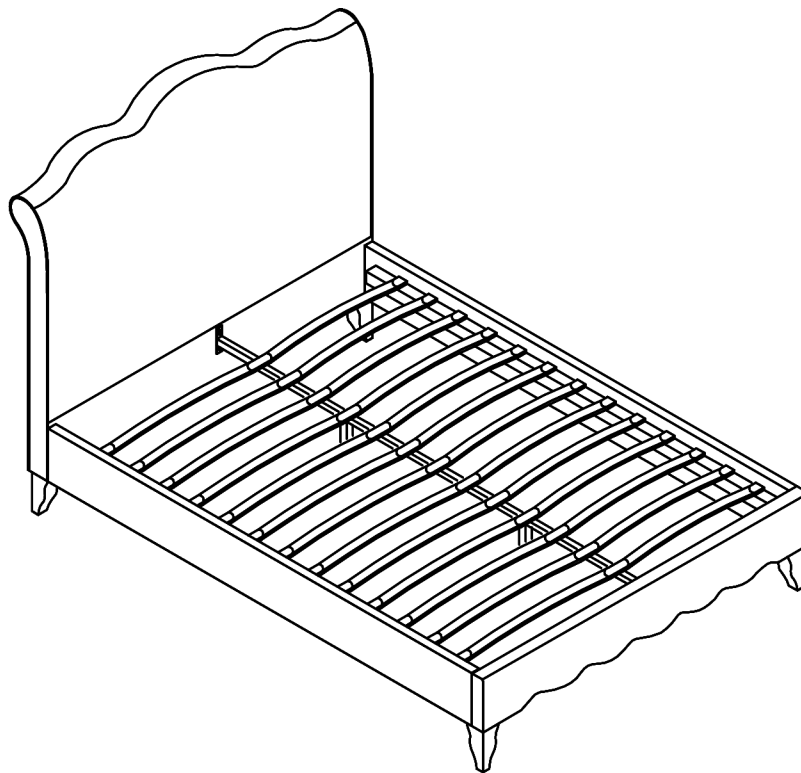


Assembly Instructions



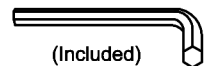
ASSEMBLY RATING

The Assembly Rating is a 5-point system that shows the degree of effort needed in assembling a specific product (with 1 being easy and 5 being difficult). For some products, two persons are recommended.

EASY  DIFFICULT

Tools Required For Assembly:

Allen Wrench



(Included)

Phillips Screwdriver



(Not Included)



2 PERSONS RECOMMENDED

ASSEMBLY & CARE ADVICE

FOR YOUR FURNITURE TO LAST, CORRECT ASSEMBLY AND PROPER MAINTENANCE ARE NECESSARY. PLEASE FOLLOW THE INFORMATION PROVIDED BELOW TO FULLY ENJOY YOUR FURNITURE.

BASIC ASSEMBLY TECHNIQUES



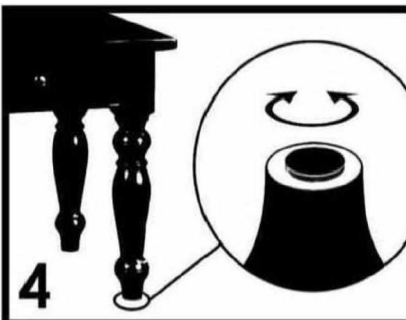
When lock or spring washer is used in an assembly, please make sure the lock or spring washer is placed between the larger flat washer and the head of the screw or bolt.



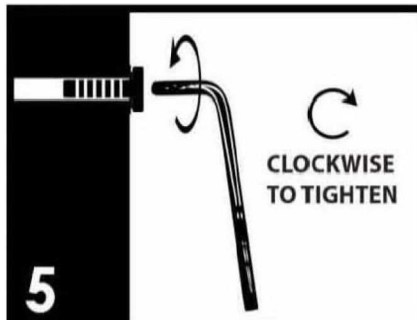
Position each part correctly and insert screws or bolts into their respective holes by hand tighten or using the proper hand tool. Only tighten when step is completed or when instructed to do so.



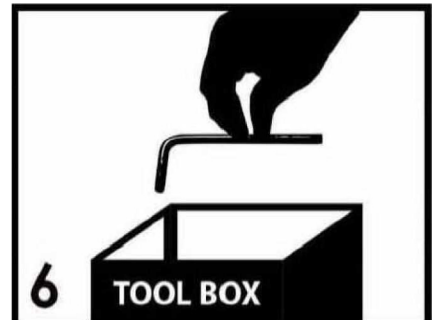
Use cardboard or carpet area when assembling furniture to prevent scratches. Make sure the furniture rests on a flat and level surface with each leg evenly touching the floor.



Some furniture comes with height adjustment knobs underneath each leg. To lower or to raise each leg, you need to turn clockwise or counterclockwise, respectively.



Make sure all parts are properly aligned, then use the appropriate hand tool to completely tighten the bolts or screws. Do not use power tools and do not overtighten.

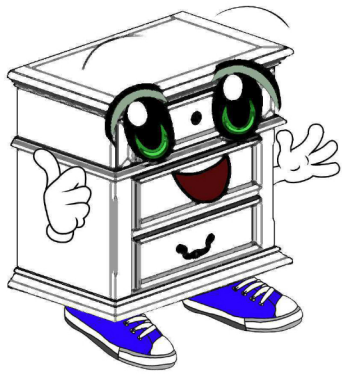


Save the instructions and store the Allen wrench or any supplied tool for later maintenance. After two weeks, check and tighten any loose hardware and repeat again every six months thereafter.

IT IS THE USER'S RESPONSIBILITY TO MAINTAIN THE FURNITURE. THE HARDWARE MAY LOOSEN OVER TIME AND MAY CAUSE THE FURNITURE TO BE WOBBLY AND UNABLE TO SUPPORT ITS INTENDED WEIGHT CAPACITY. THIS MAY LEAD TO COLLAPSE AND MAY CAUSE SERIOUS INJURY.



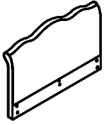

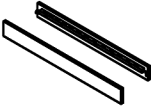



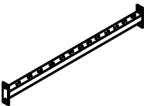
FAILURE TO FOLLOW THE GUIDELINES ABOVE MAY RESULT IN INJURY AND/OR PROPERTY DAMAGE.










Before you begin, please read Page 2 of "Assembly and Care Advice".

And remember, do not tighten until each step is completed or instructed.

Parts List

	#1 x 1pc Headboard
	#2 x 1pc Footboard
	#3 x 2pcs Side Rail
	#4 x 4pcs HB/FB Leg
	#5 x 26pcs Slat
	#6 x 2pcs Support leg 30*20*250mm
	#7 x 1pc Support Rail

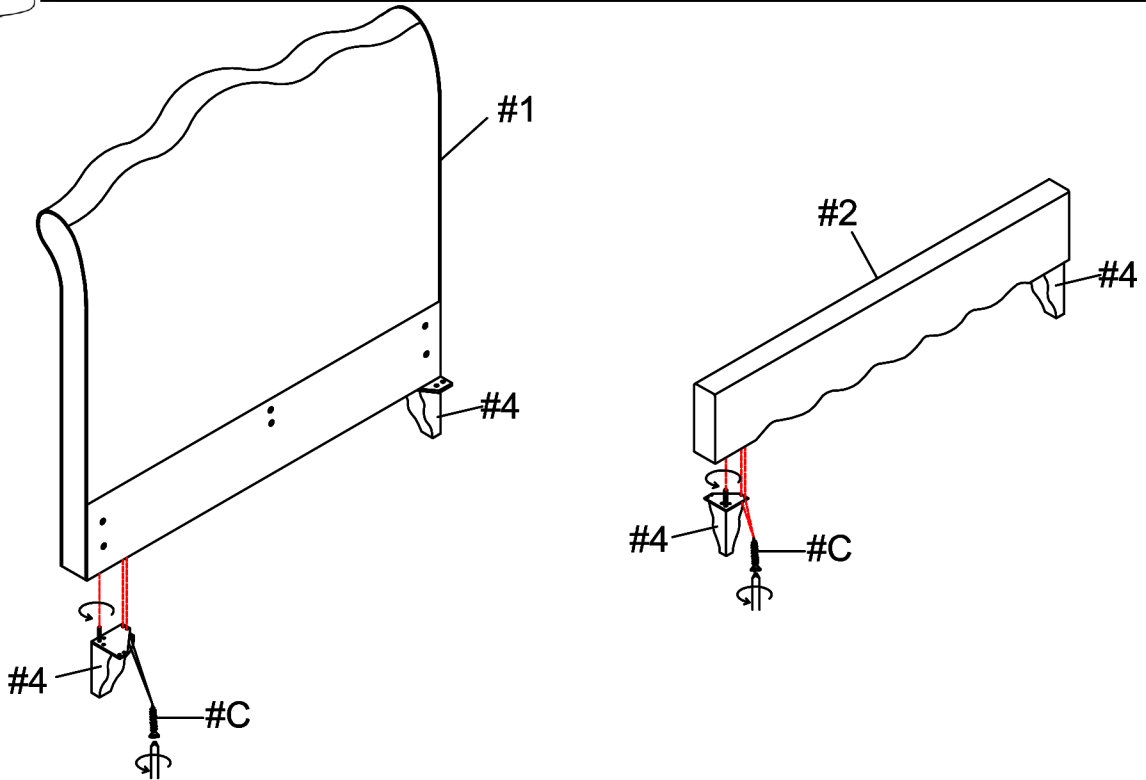
Hardware List

	#A x 1pc Allen Wrench
	#B x 14pcs Bolt Ø5/16"X1-1/2"
	#C x 16pcs Screw
	#D x 14pcs Flat Washer
	#E x 14pc Lock Washer
	#F x 26pcs End Cap
	#G x 13pcs Center Plastic Connector



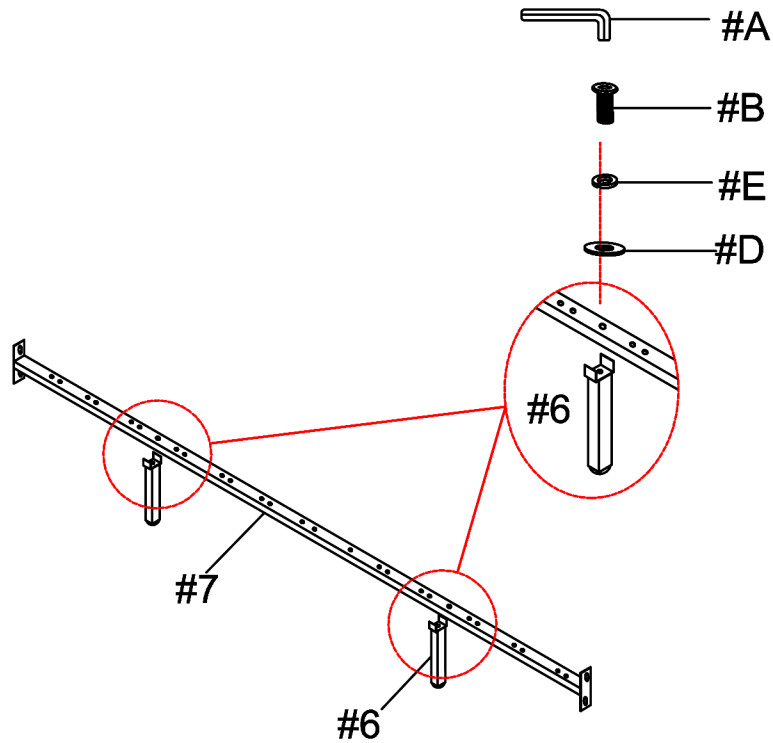
Attach the legs (#4) to the bottom of the headboard (#1) and footboard (#2). Make sure there are two holes from the legs (#4) that are facing outside as shown on the picture. Secure legs (#4) with screws (#C). There are no pre-drilled holes on the bottom of the headboard (#1) and footboard (#2).

#C x 8pcs



Prepare 2 bolts assembly by inserting lock washer (#E), then flat washer (#D) onto bolts (#B). Align support legs (#6) to the holes of the support rail (#7). Secure with bolts (#B).

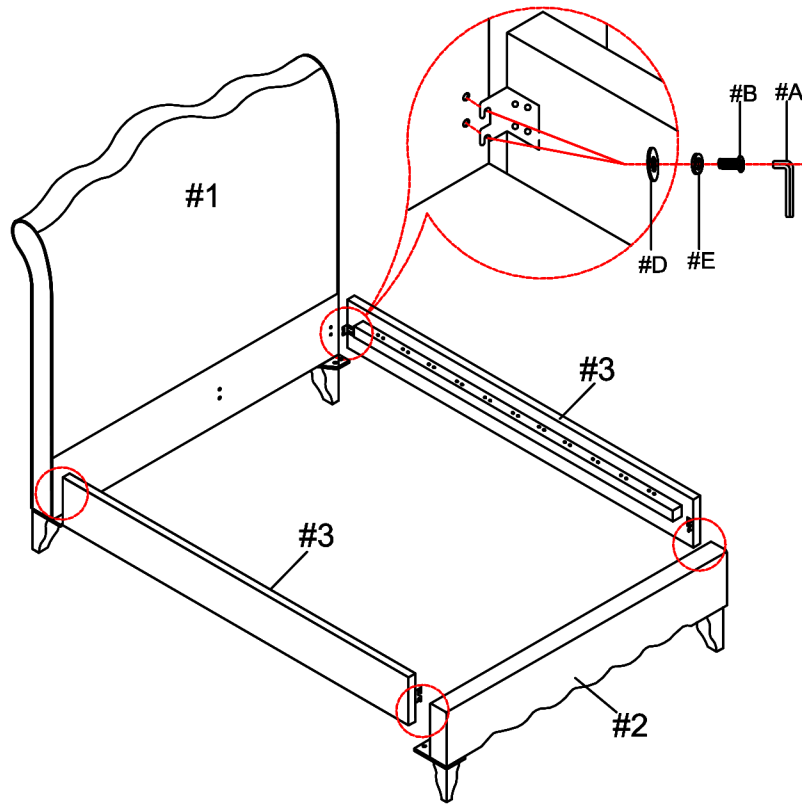
#B x 2pcs
#D x 2pcs
#E x 2pcs





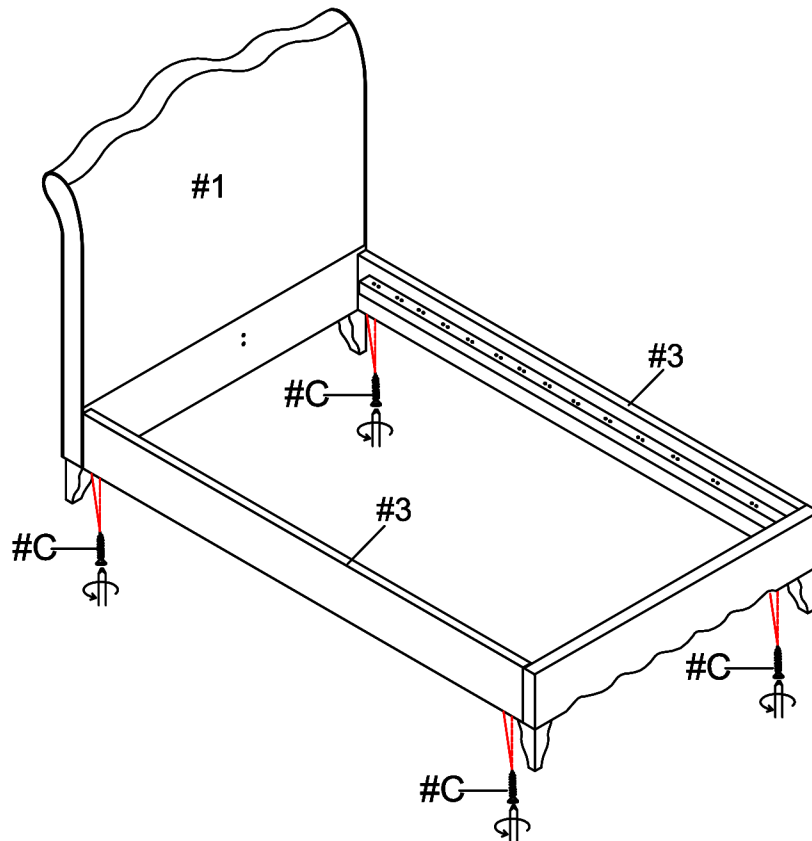
Prepare 8 bolts assembly by inserting lock washer (#E), then flat washer (#D) onto bolts (#B),
Align side rails (#3) to the holes of the headboard (#1) and footboard (#2). Secure with bolts (#B).

#B x 8pcs
#D x 8pcs
#E x 8pcs



Secure the legs (#4) to the side rails (#3) by using screws (#C). There are no pre-drilled holes on side rails (#3).

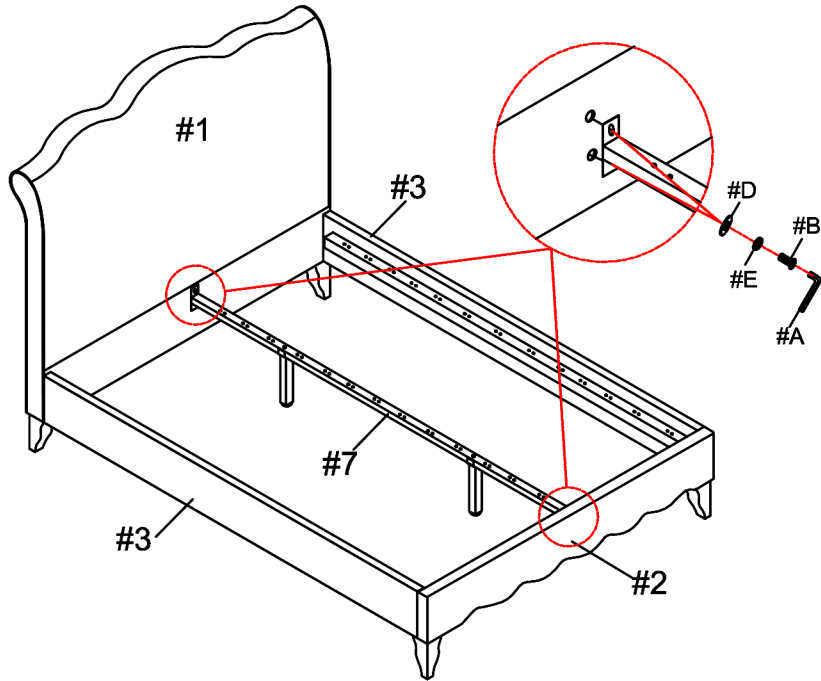
#C x 8pcs





Prepare 4 bolts assembly by inserting lock washer (#E), then flat washer (#D) onto bolts (#B). Align support rail (#7) to the holes of the headboard (#1) and footboard (#2). Secure with bolts (#B).

#B x 4pcs
#D x 4pcs
#E x 4pcs



Insert the center and end caps (#G,F) to the end of each slat (#5) as shown in the picture. Attach slats to the rails (#3,7) by inserting the caps (#G,F) to the holes of the rails (#3,7).

#F x 26pcs
#G x 13pcs

