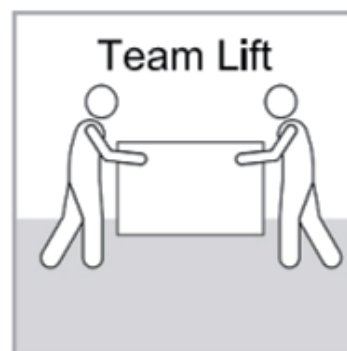
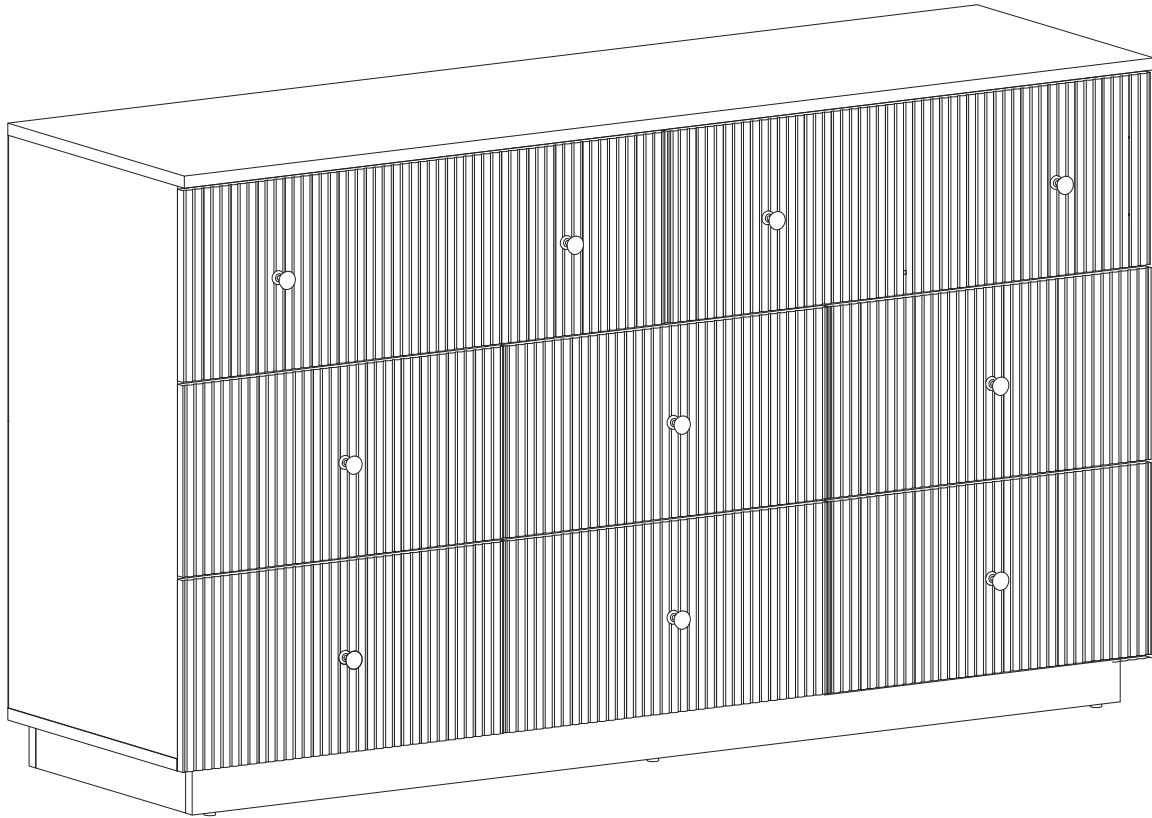
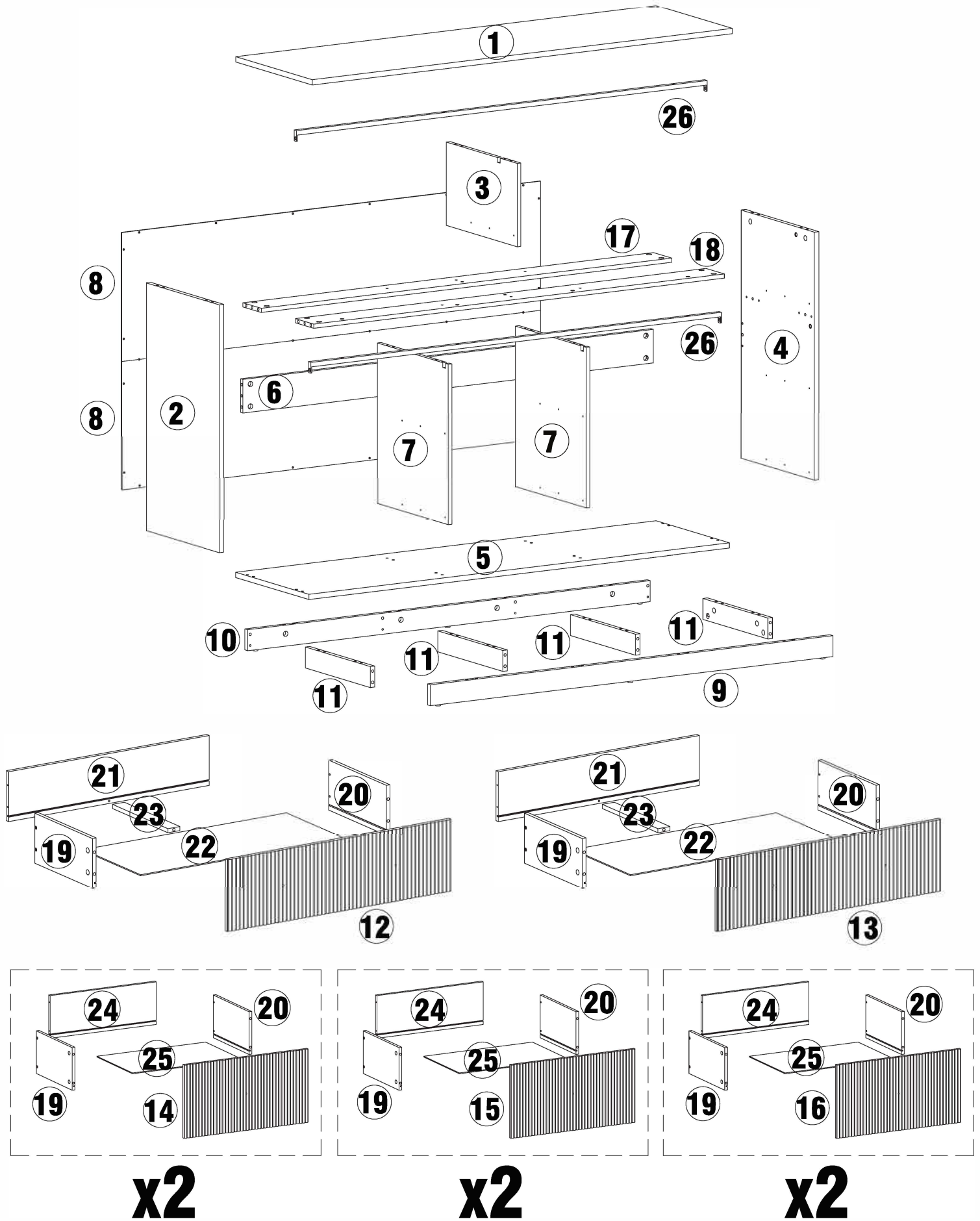


# ASSEMBLY INSTRUCTIONS



# PACKAGE INCLUDE



# PACKAGE CONTENT

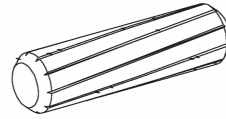
**Ø6x33.5MM**



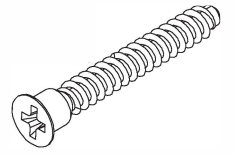
**Ø15x9.5MM**



**Ø6x30MM**



**Ø5x48MM**



**A**

**76X+2**

**B**

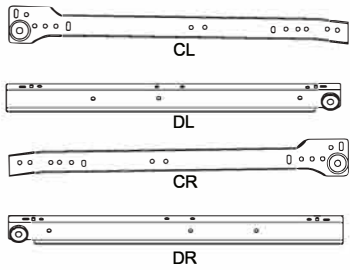
**76X+2**

**C**

**50X+2**

**D**

**18X+1**



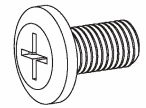
**Ø3.5x12MM**



**Ø4x30MM**



**M6x10MM**



**E**

**8X**

**F**

**112X+2**

**G**

**34X+2**

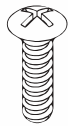
**H**

**4X**

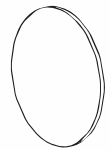
**Ø3x14MM**



**M4x20MM**



**Ø30MM**



**I**

**26X+2**

**J**

**10X**

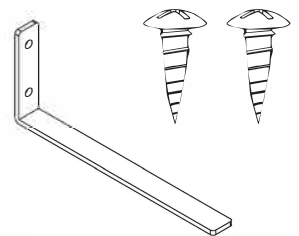
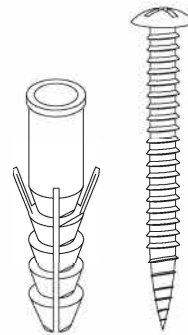
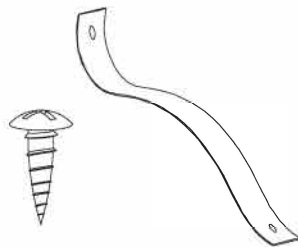
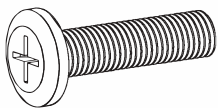
**K**

**10X**

**L**

**32X+2**

**M6x25MM**



**M**

**8X**

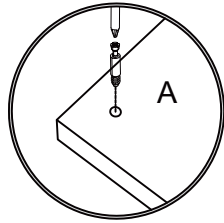
**N**

**2X**

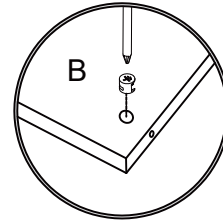
**O**

**2X**

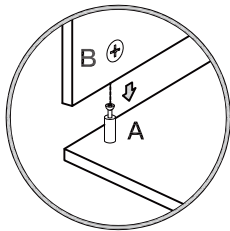
# How to use the cam lock system



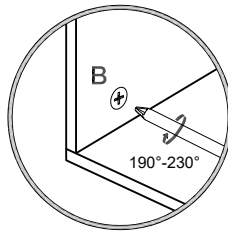
1. Screw cam bolt into panel



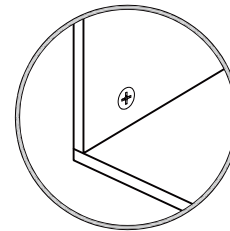
2. Push cam into panel - arrow feature on cam top points to panel edge



3. Align cam bolt(s) with cam(s) and insert all the way into cross-bored hole(s)

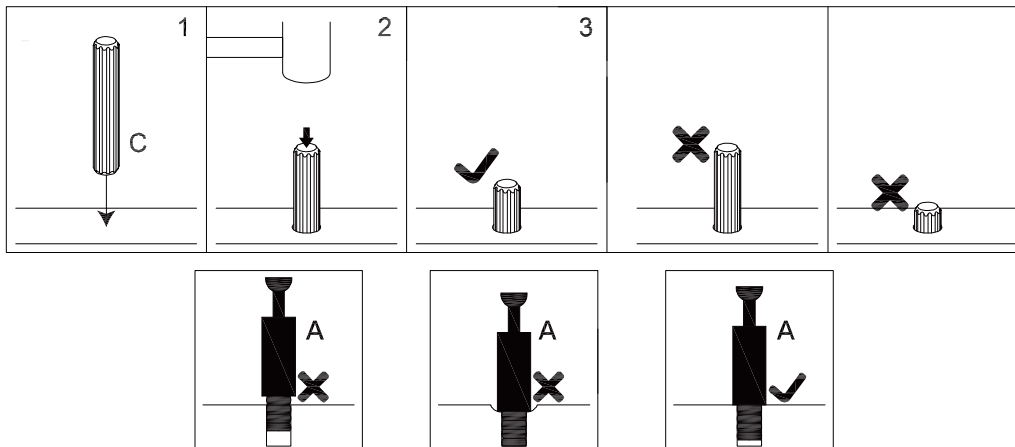


4. Rotate cam(s) clockwise 190°-230° to lock panels together



5. Panels should be tight against each other and connection should be rigid

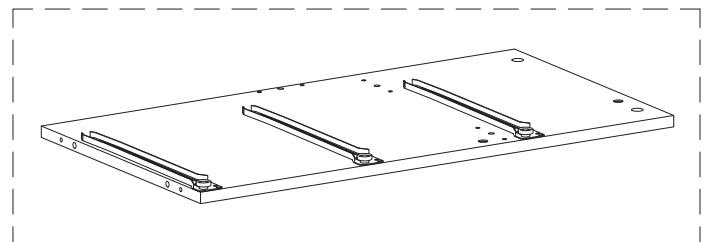
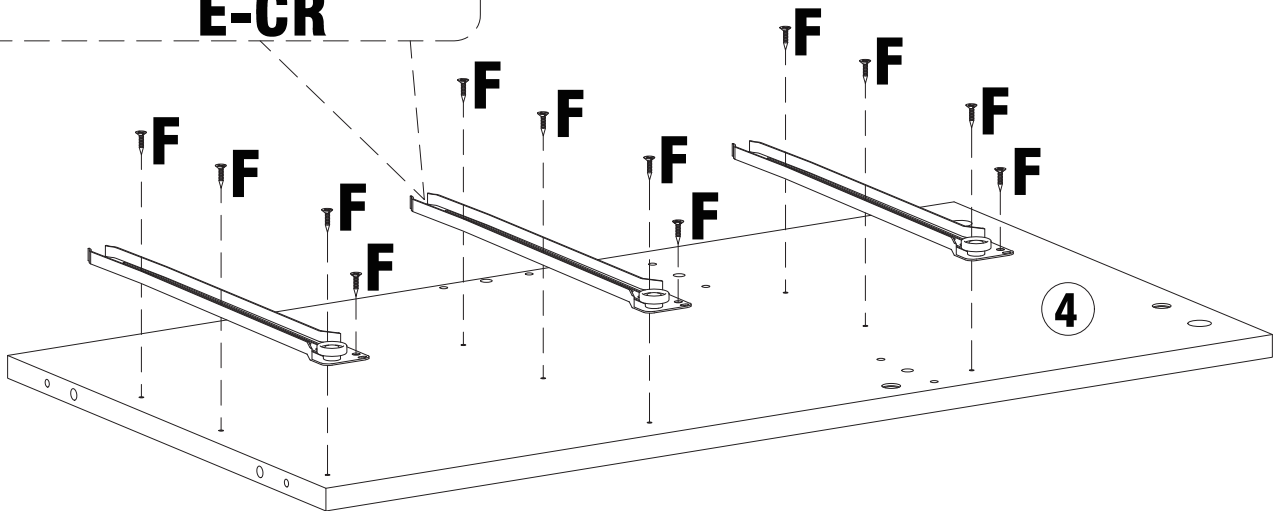
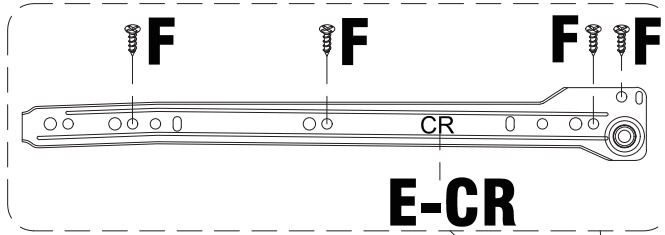
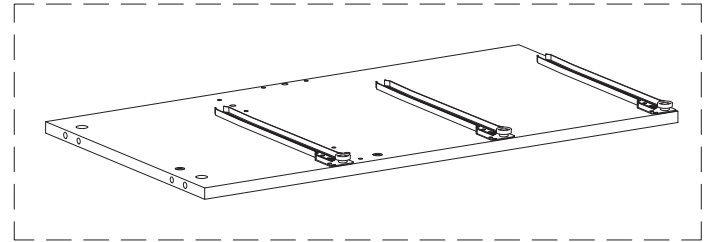
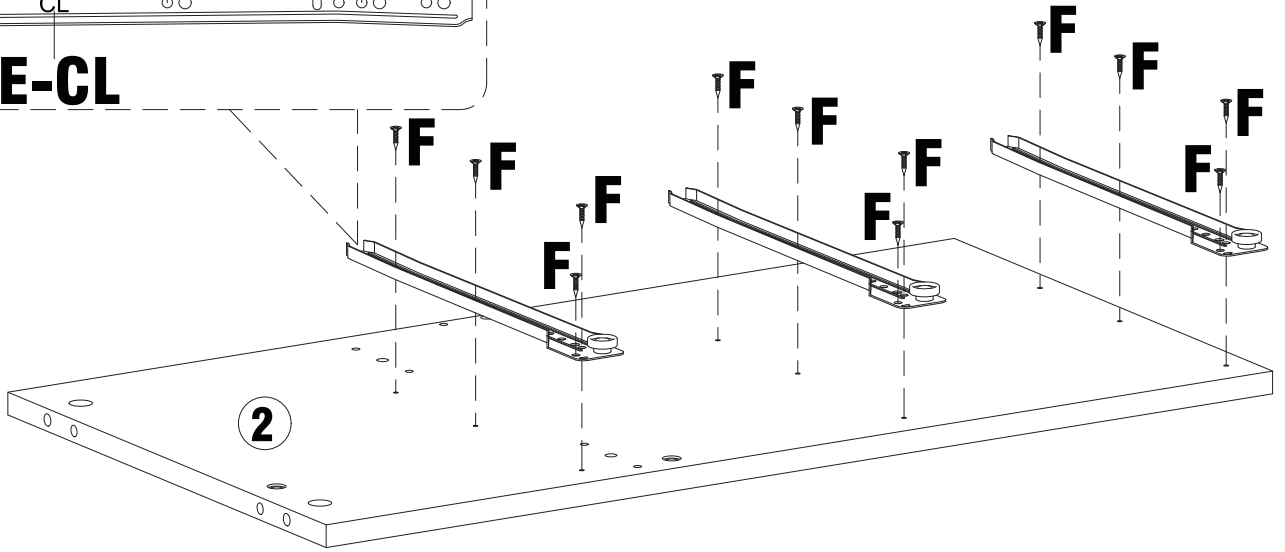
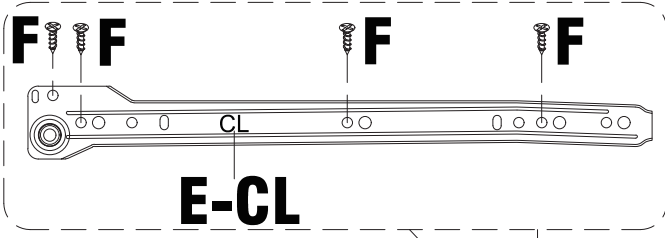
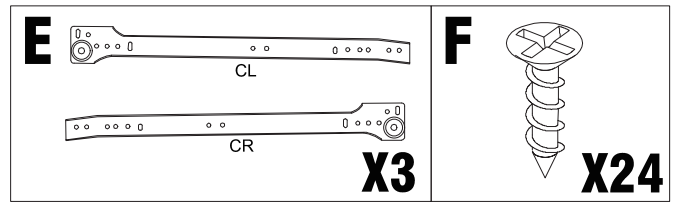
Insert the wood dowel [C] at least half way by tapping lightly with a rubber mallet, IF NECESSARY.



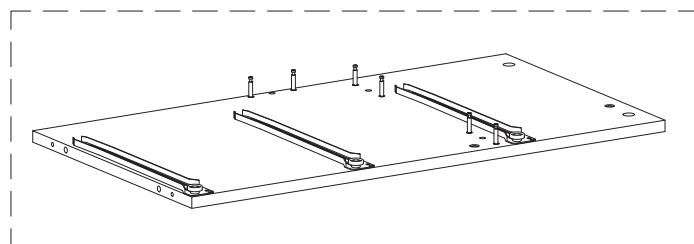
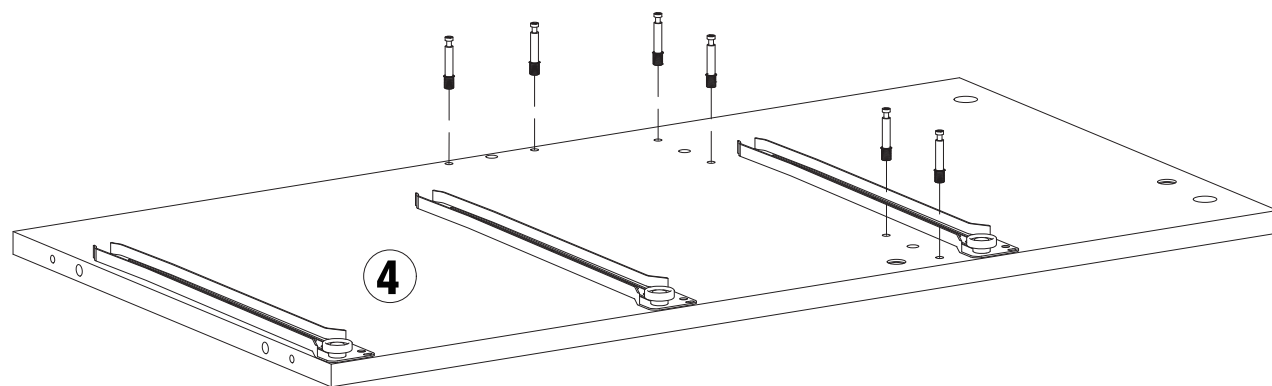
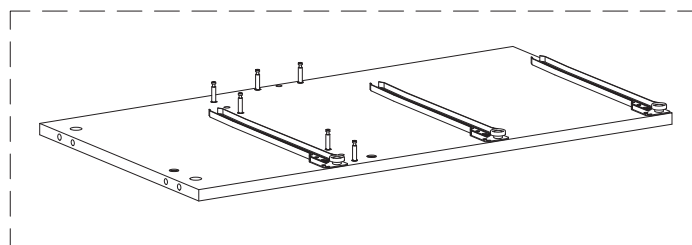
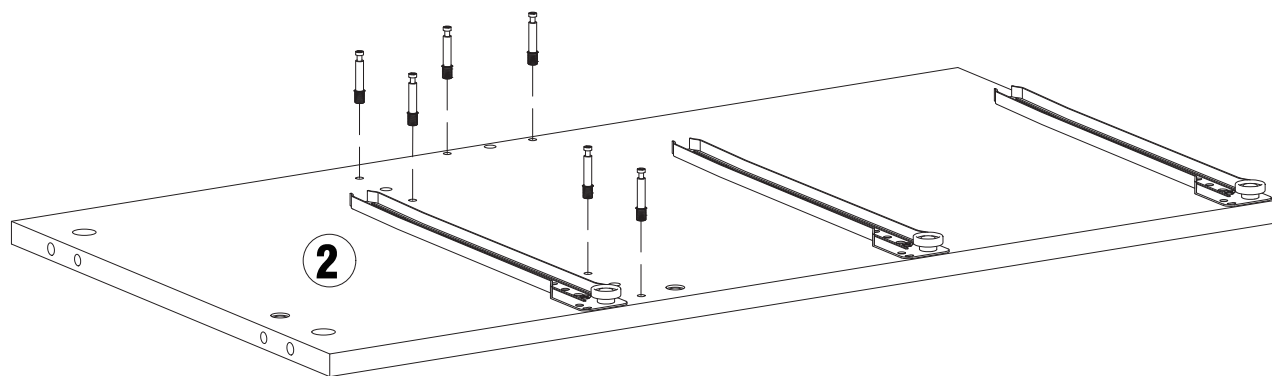
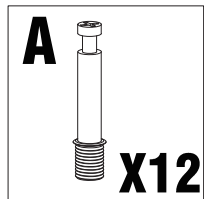
## **⚠ WARNING**

- Unit must be placed on a level surface or leveled with included hardware (when applicable).
- Do not sit or stand on or allow children to climb, sit or stand on the assembled product.
- For safety reasons, it is imperative that this unit be mounted to the wall.
- Do not use without installing the tip restraint.
- Unit can tip over causing severe injury or death.
- Do not exceed the recommended weight limits.
- Evenly distribute the weight on each level and always keep the heavier loads on the bottom.
- Before cutting, drilling or hammering into any wall or floor surface, verify the location of electrical, plumbing and gas lines. Cutting may cause serious injury.

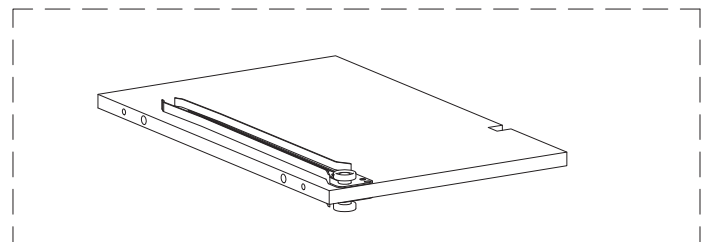
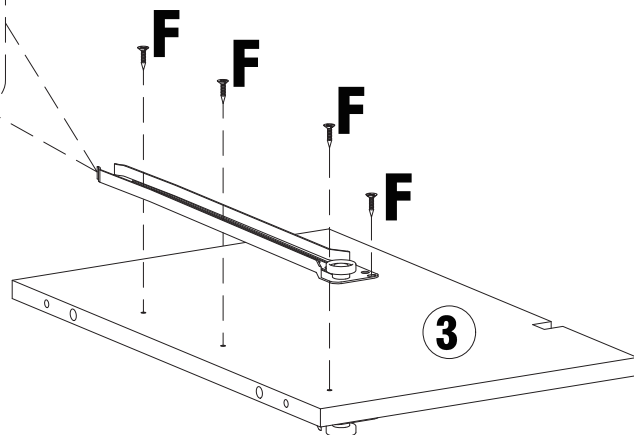
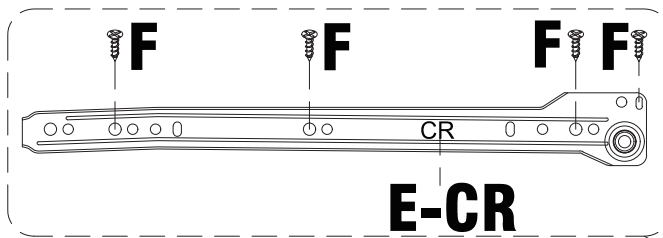
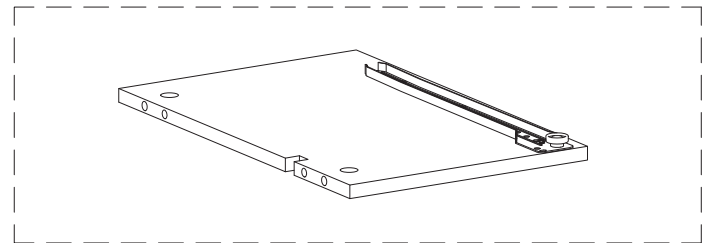
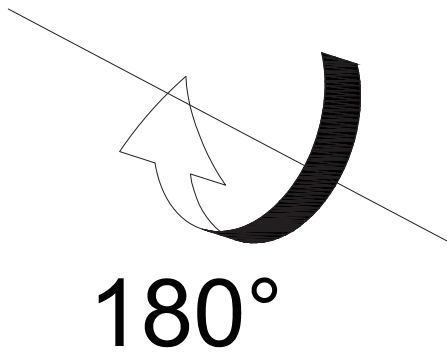
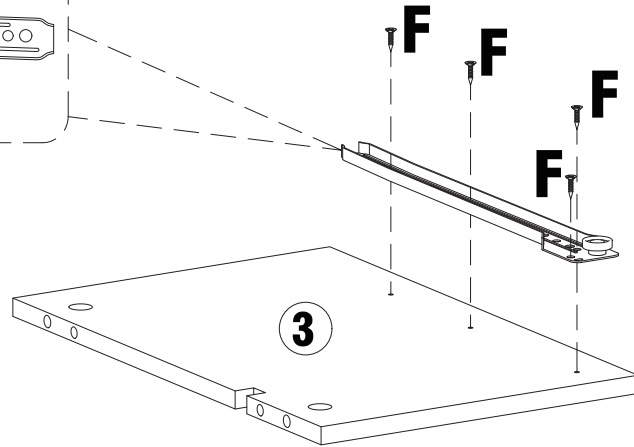
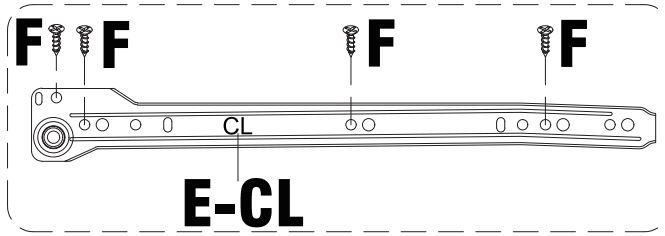
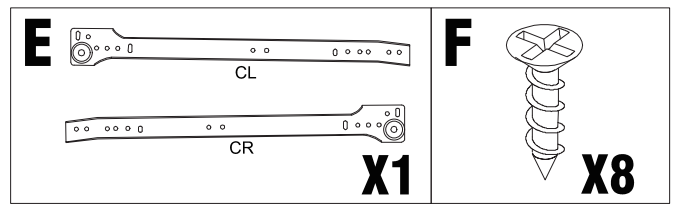
# STEP 1



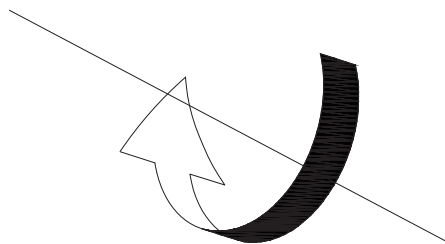
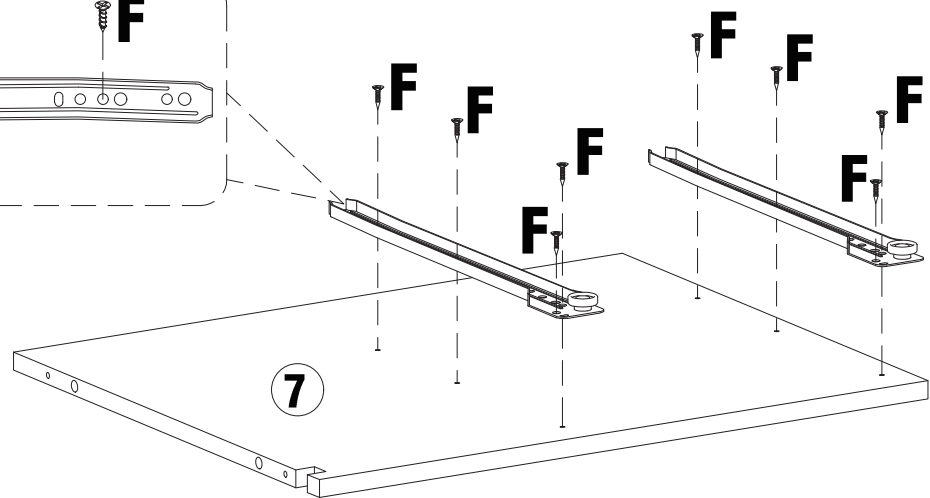
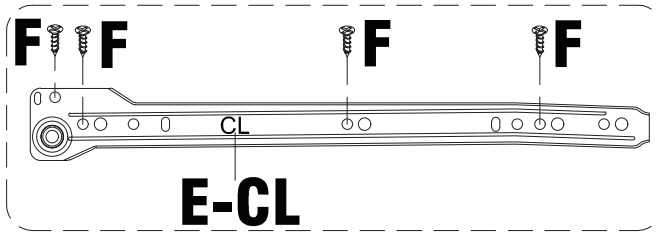
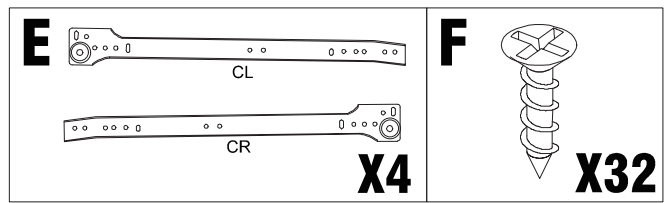
# STEP 2



# STEP 3

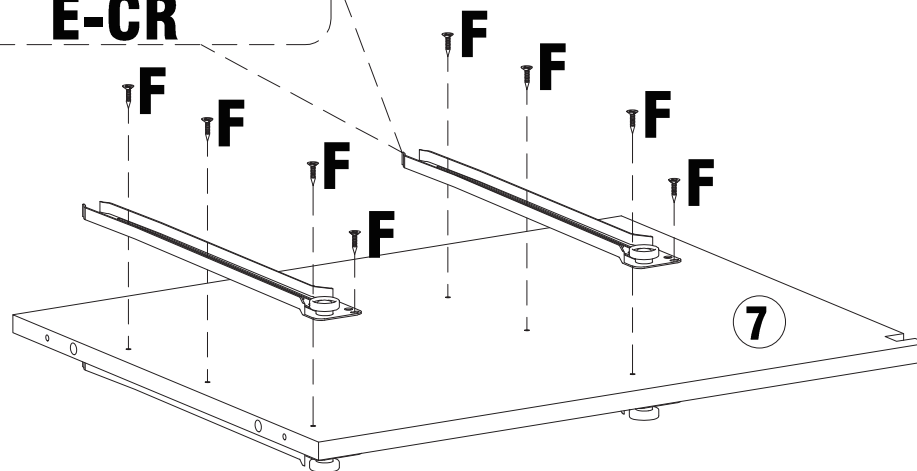
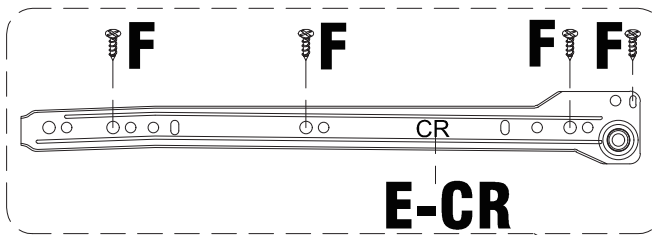
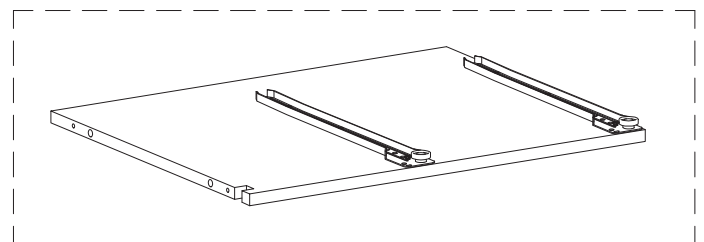


# STEP 4

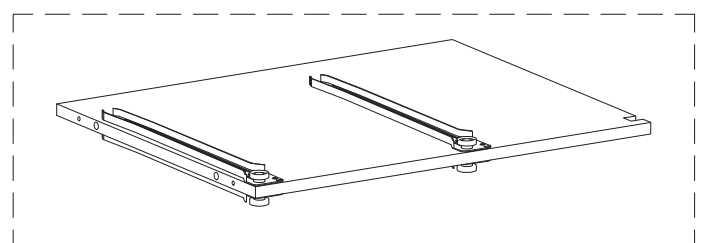


180°

**X2**

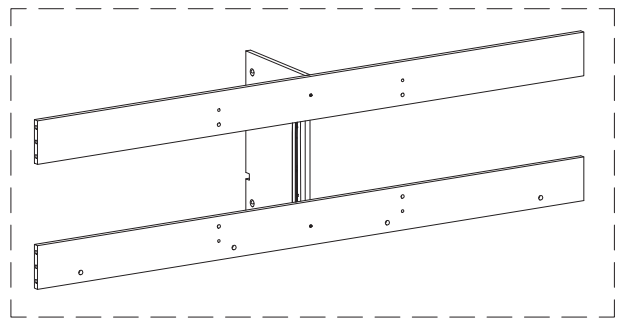
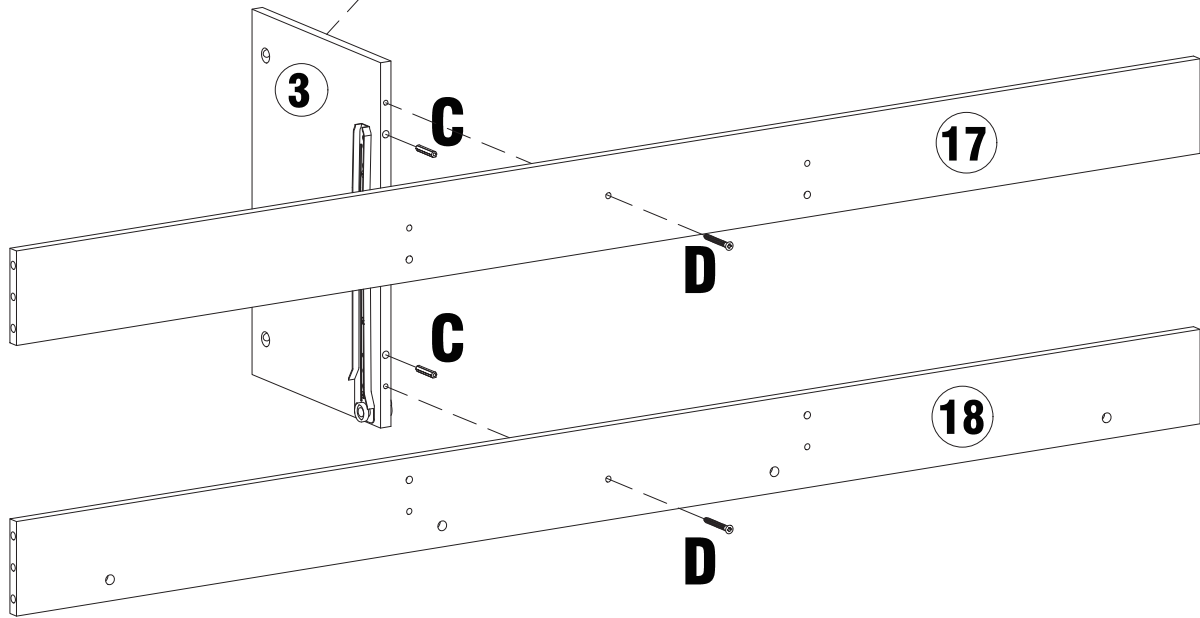
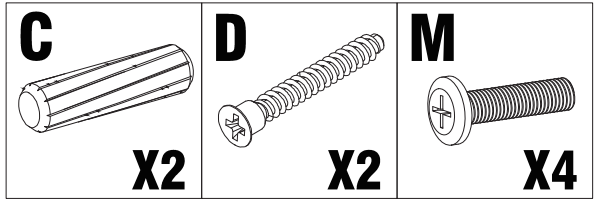


**X2**

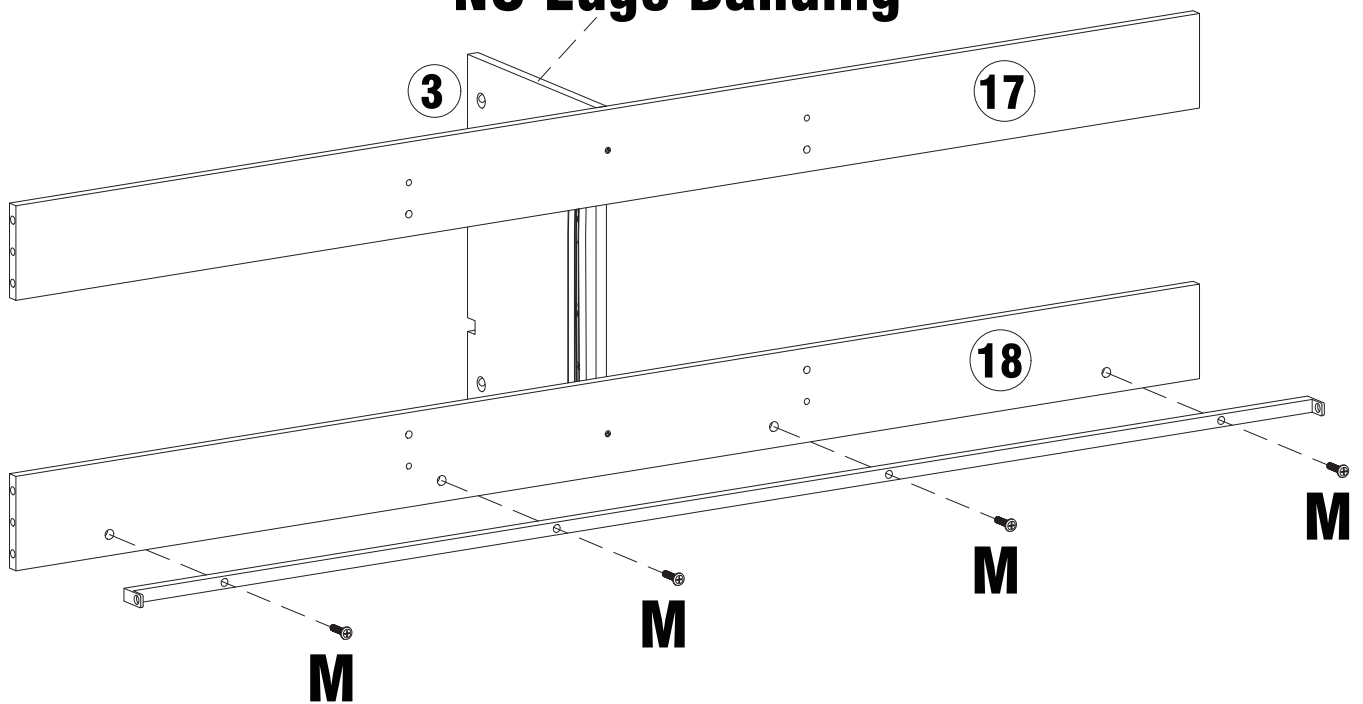


# STEP 5

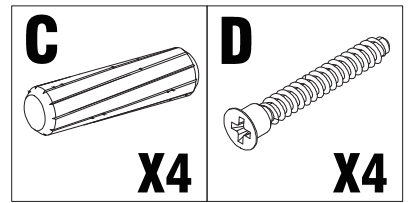
**NO Edge Banding**



**NO Edge Banding**

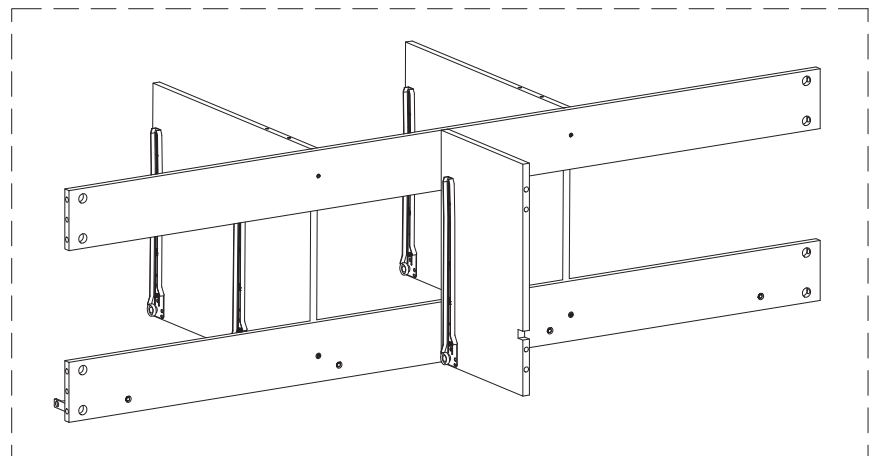
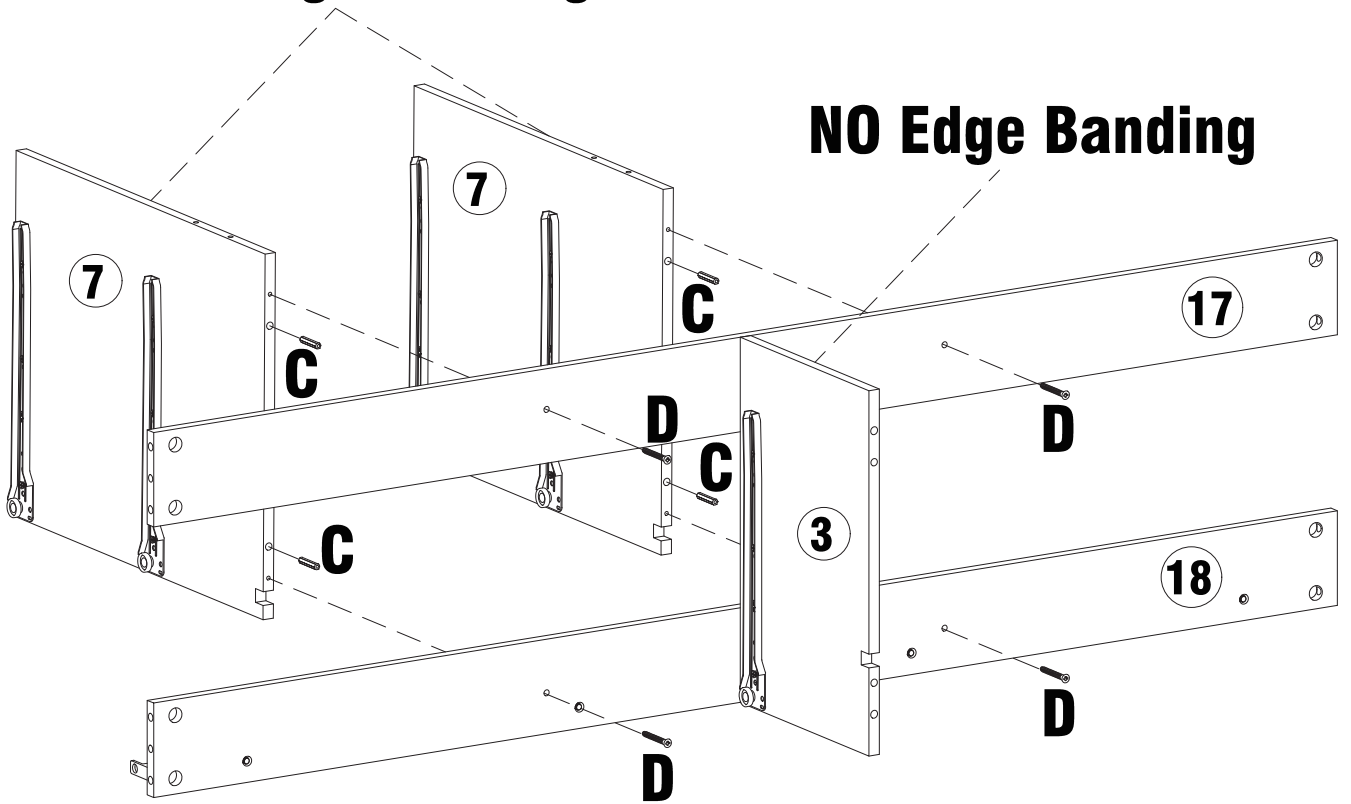


# STEP 6

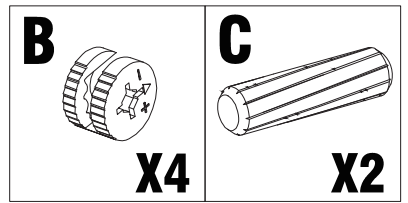


**NO Edge Banding**

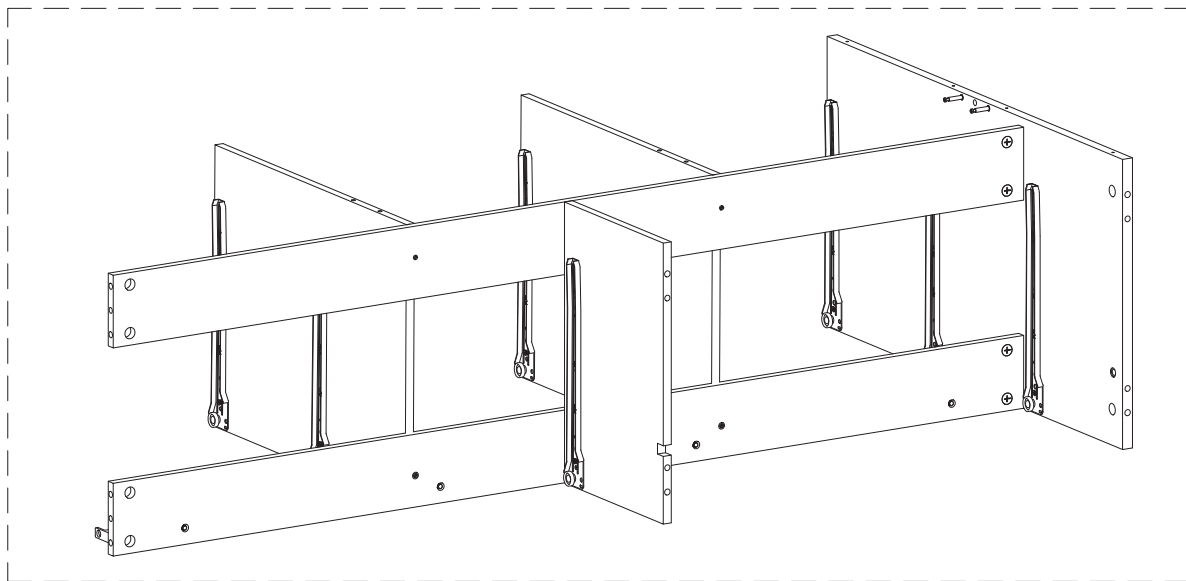
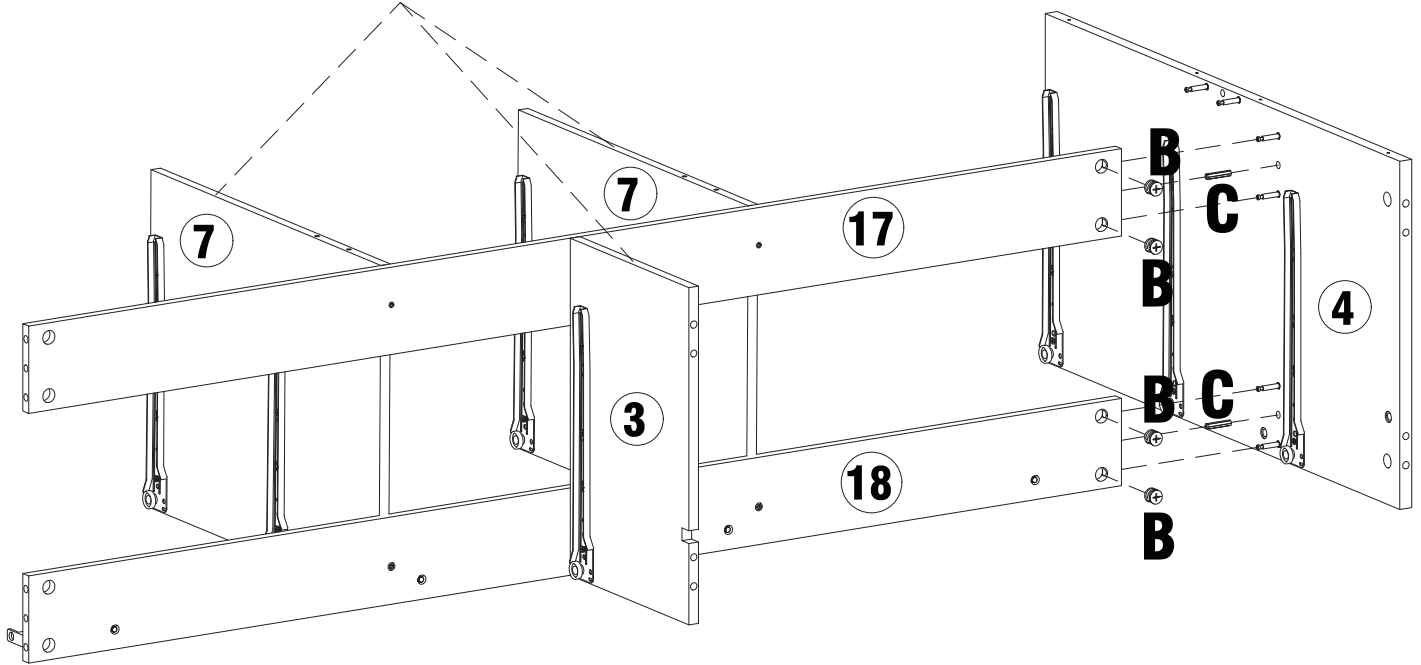
**NO Edge Banding**



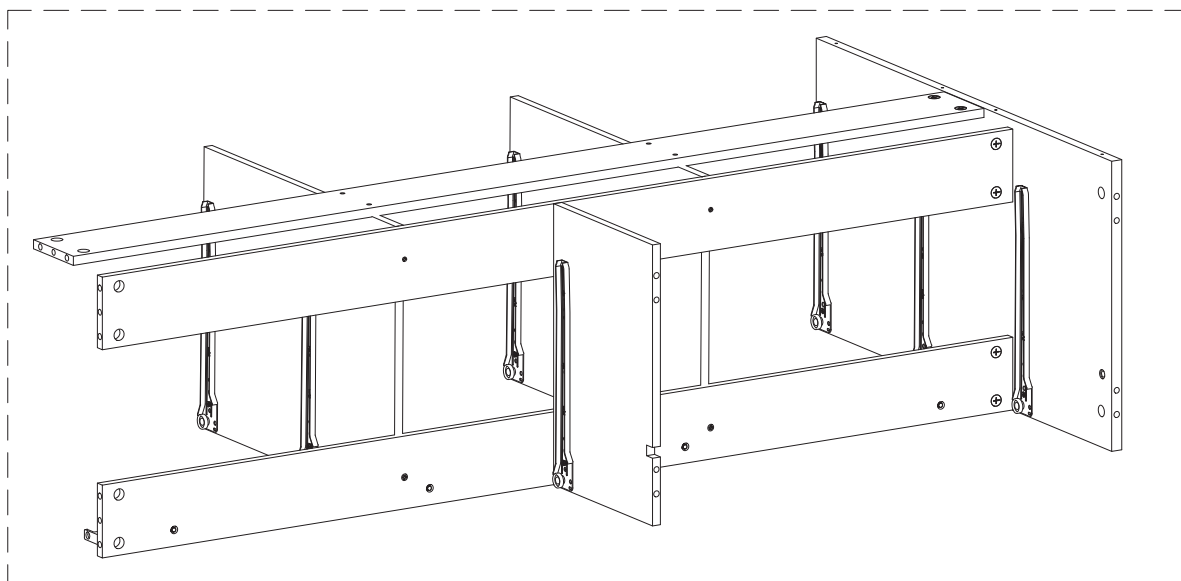
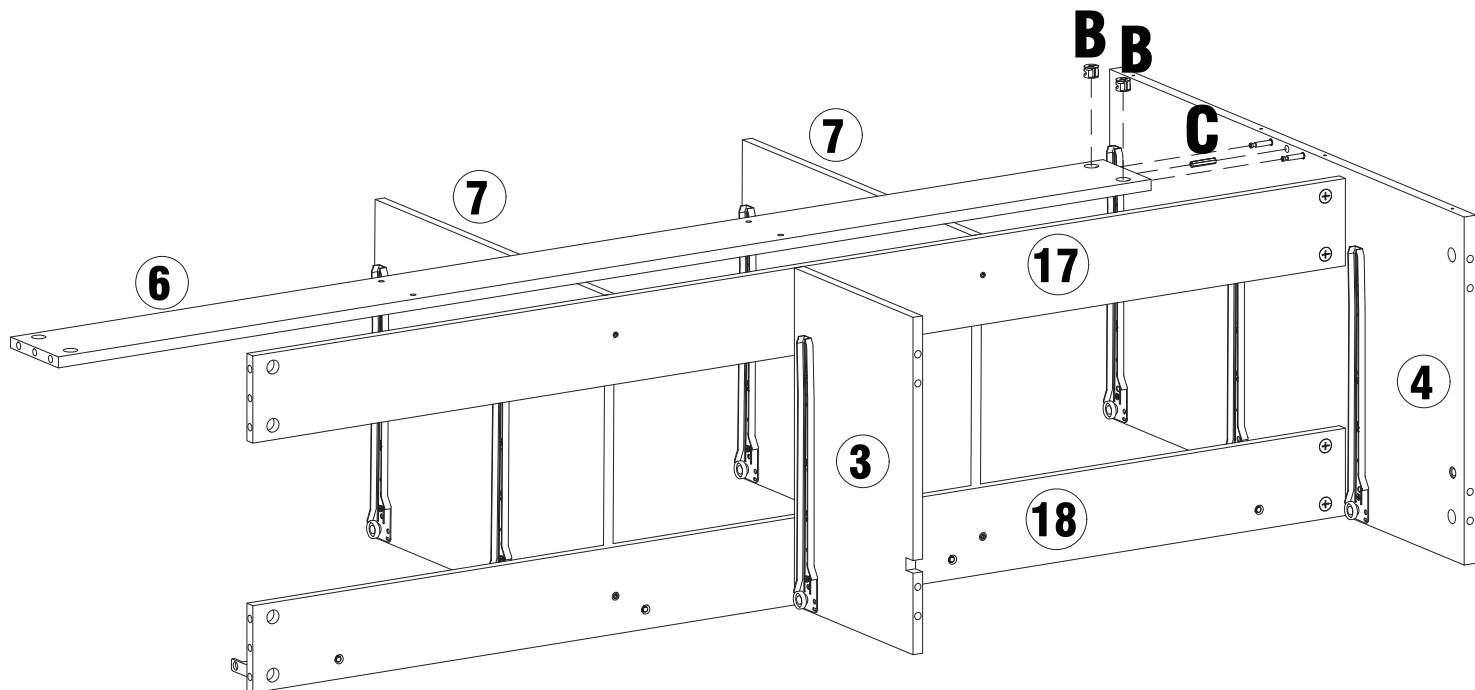
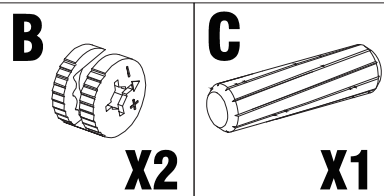
# STEP 7



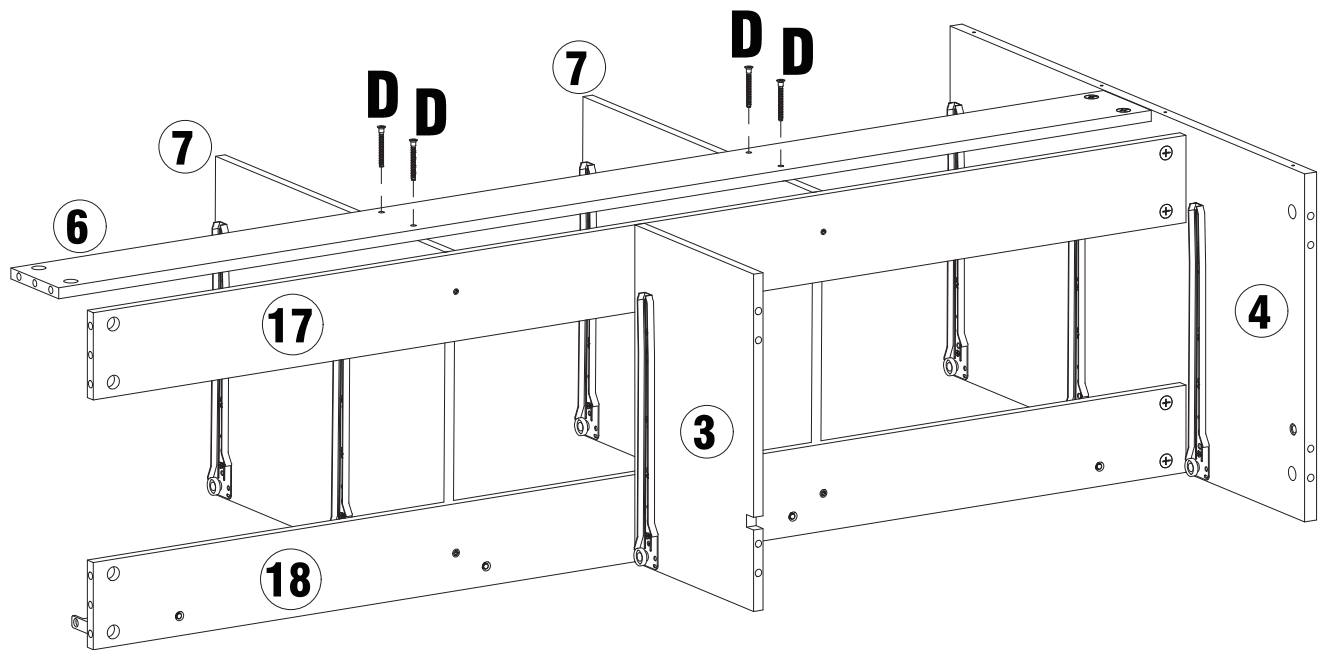
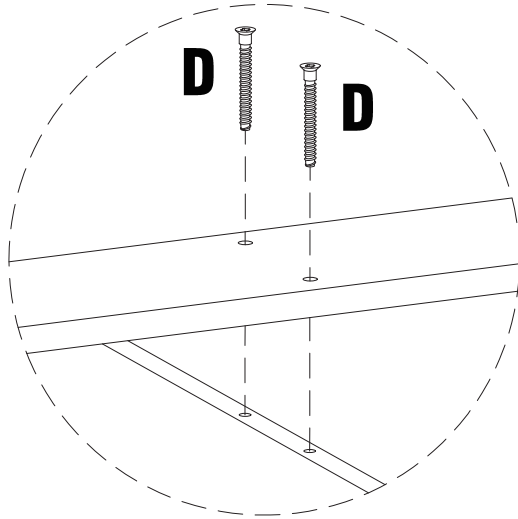
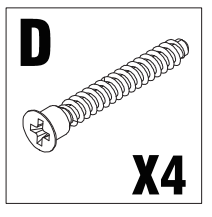
**NO Edge Banding**



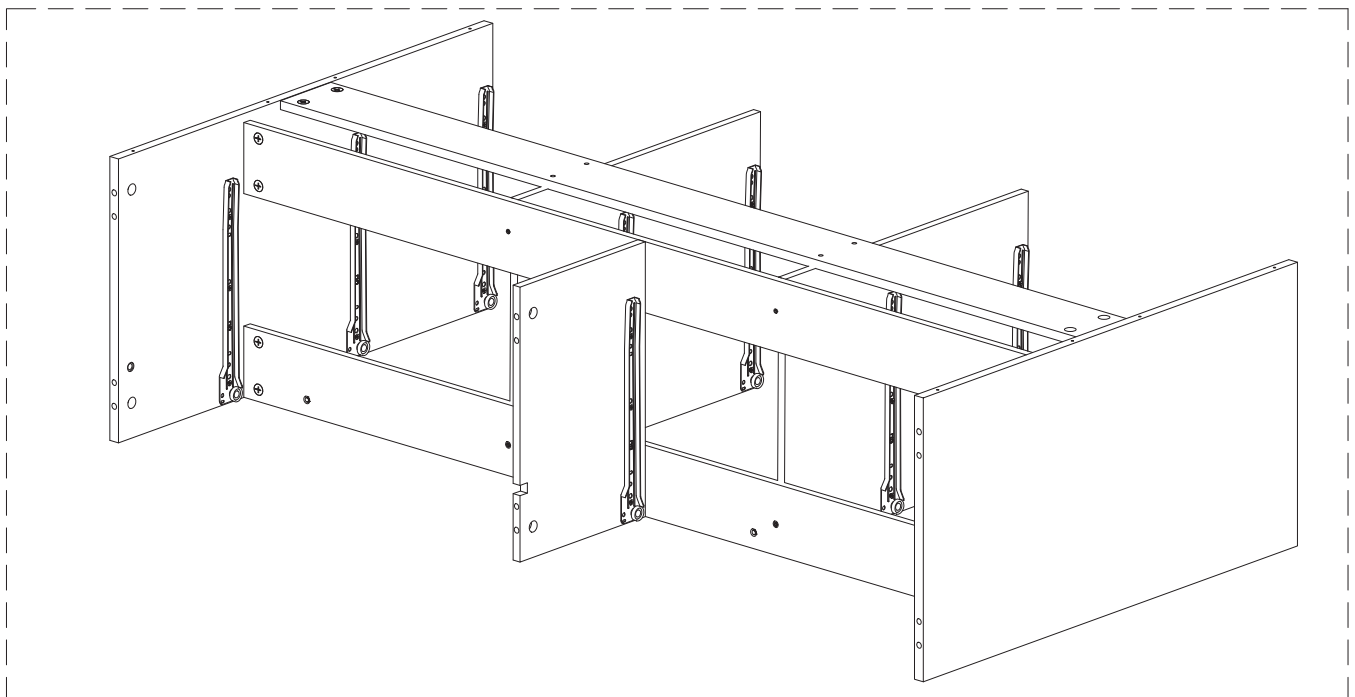
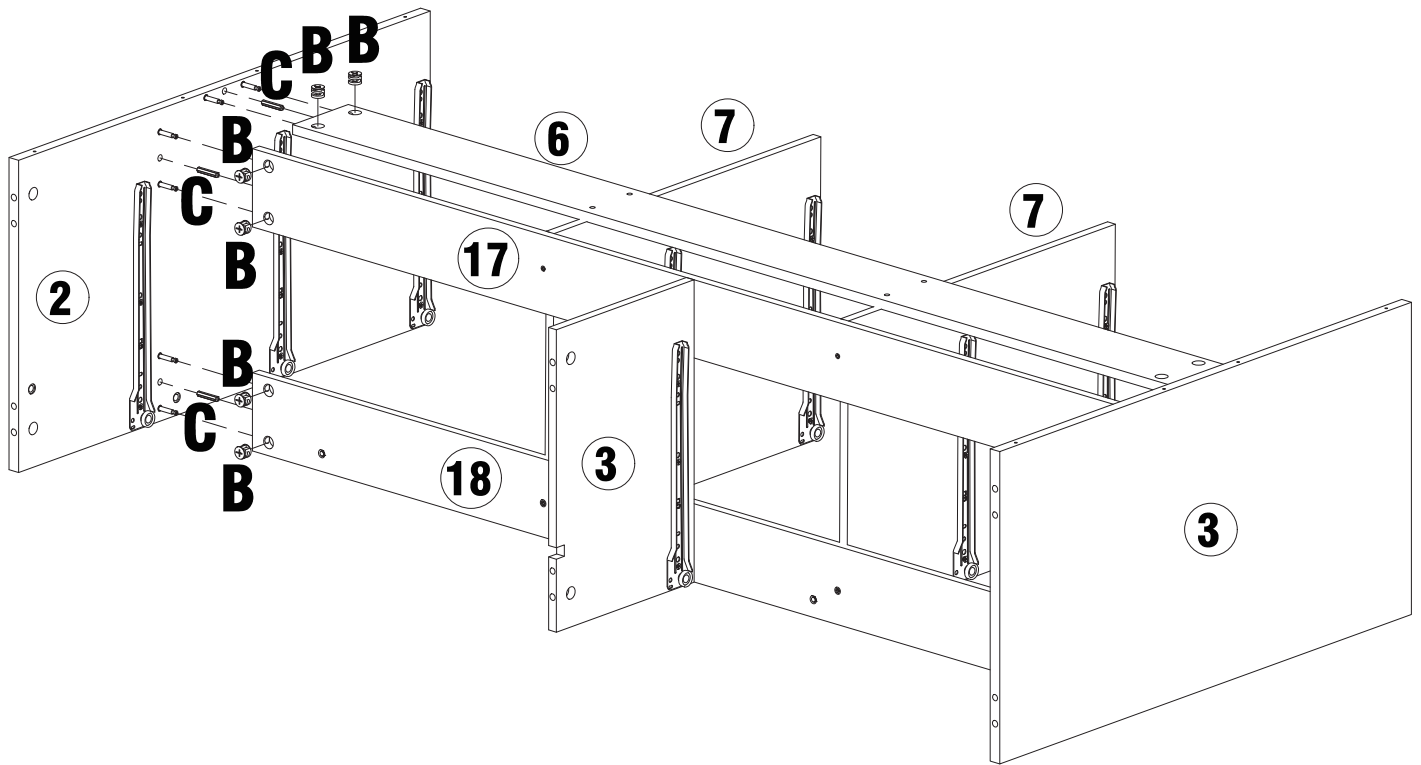
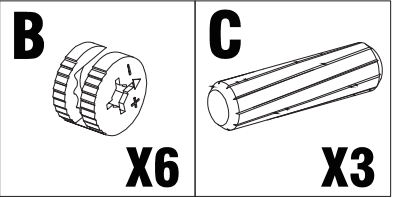
# STEP 8



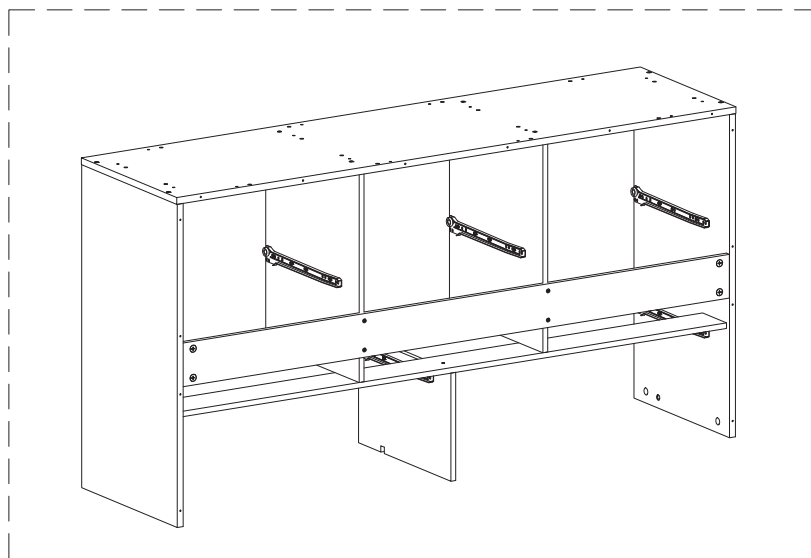
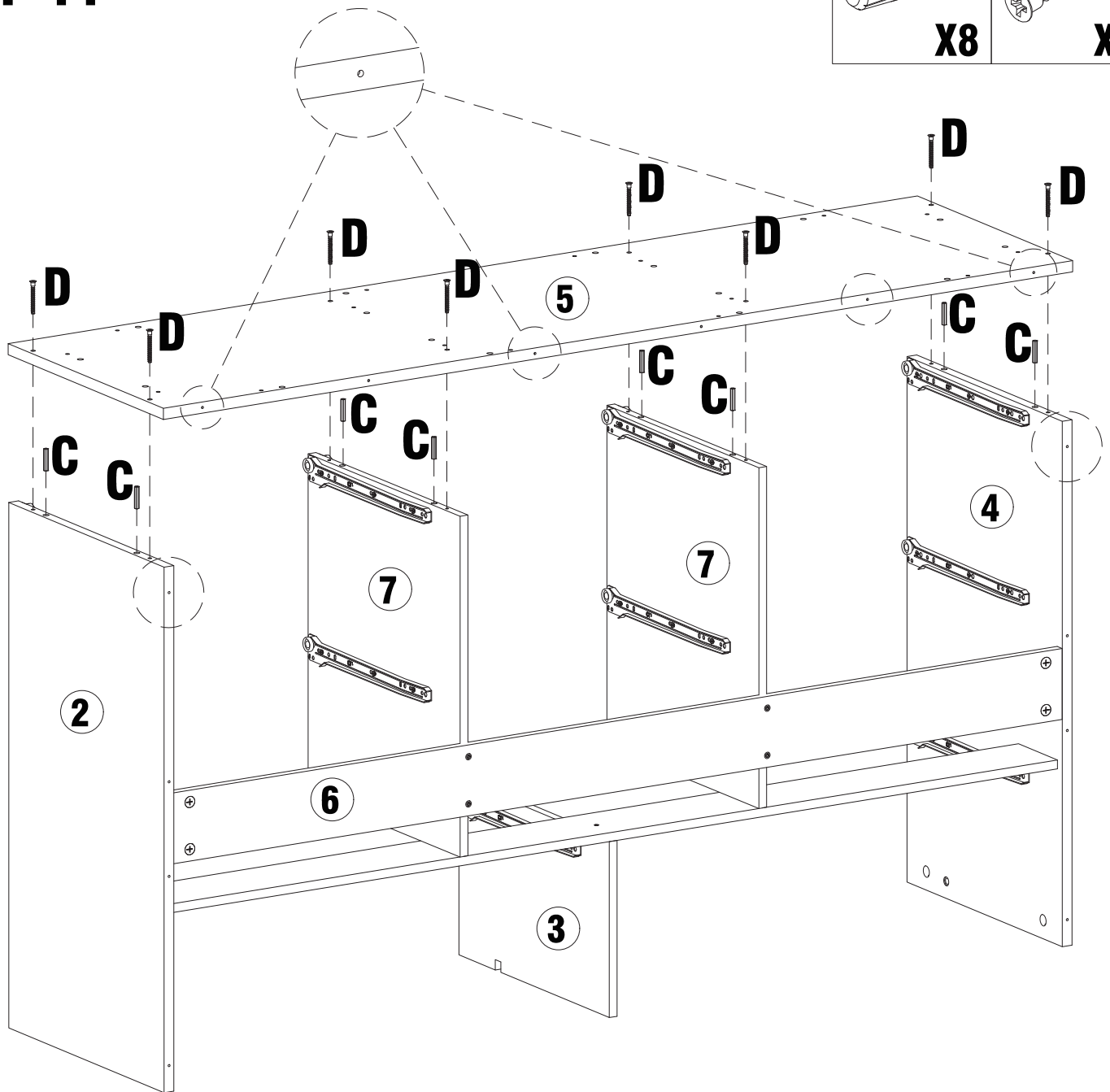
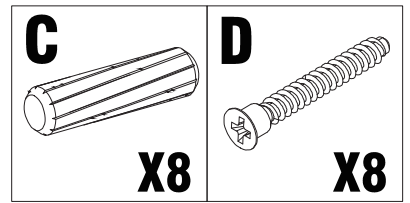
# STEP 9



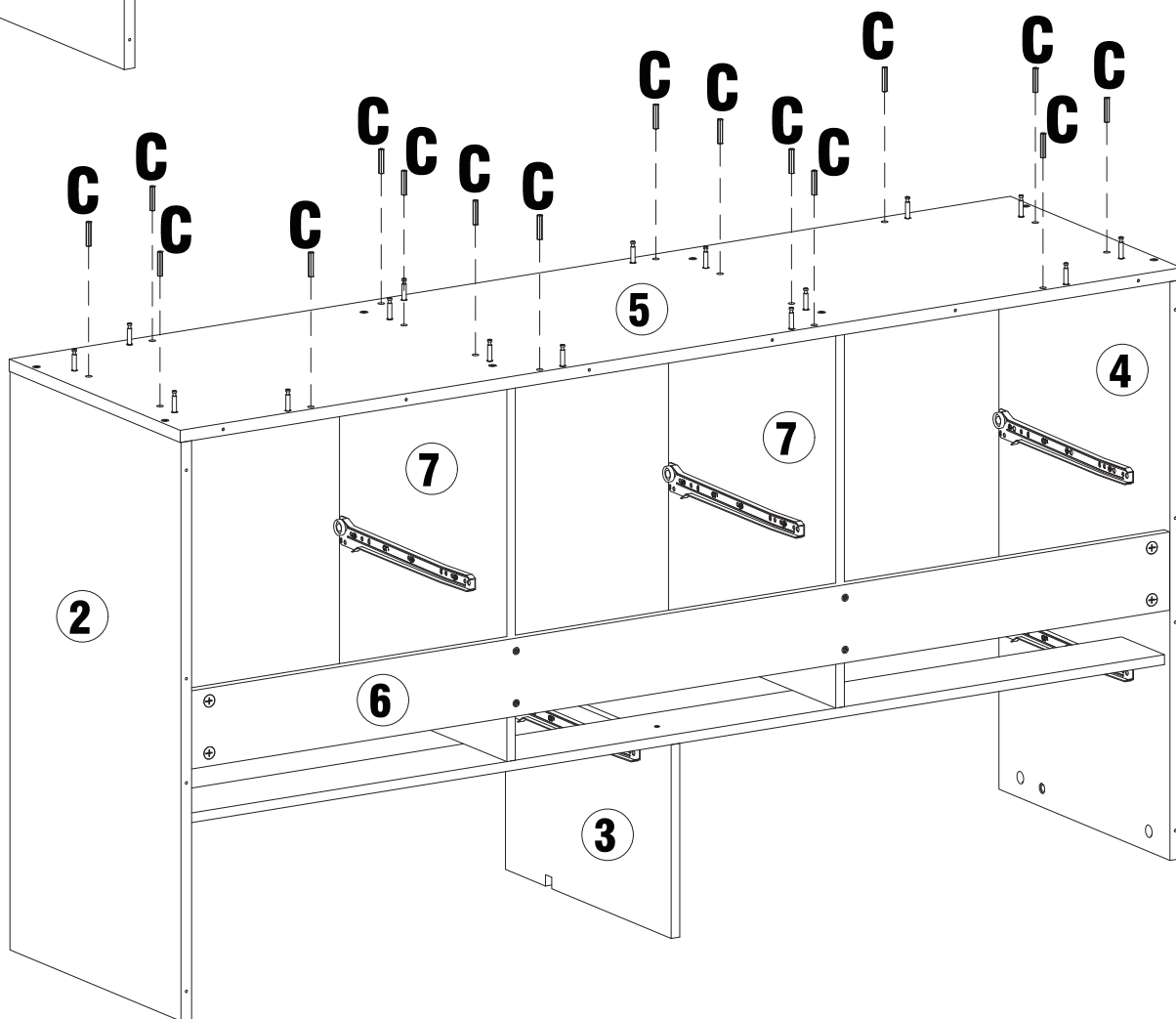
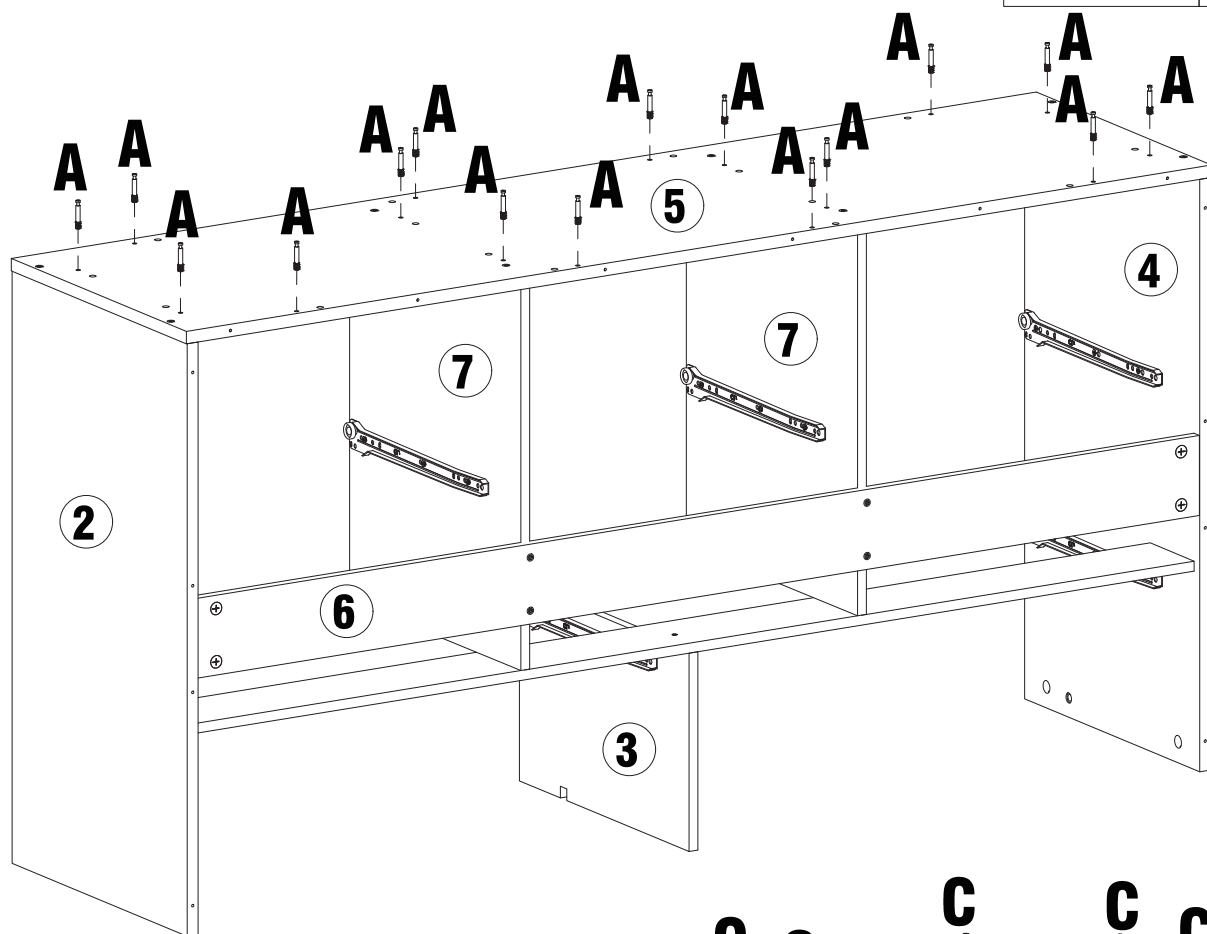
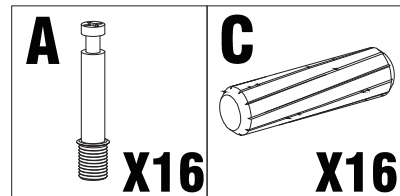
# STEP 10



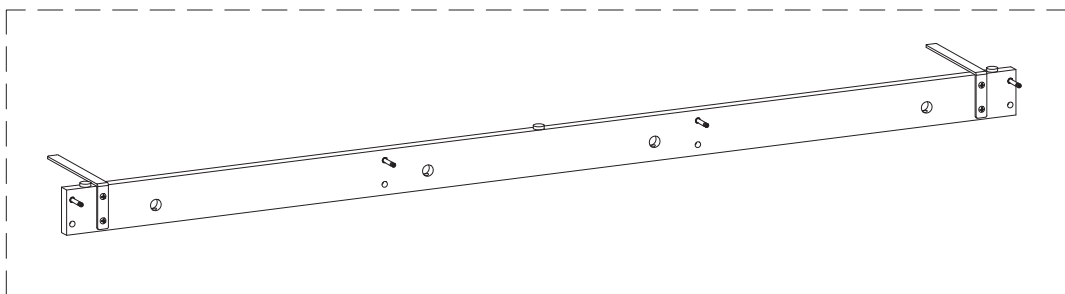
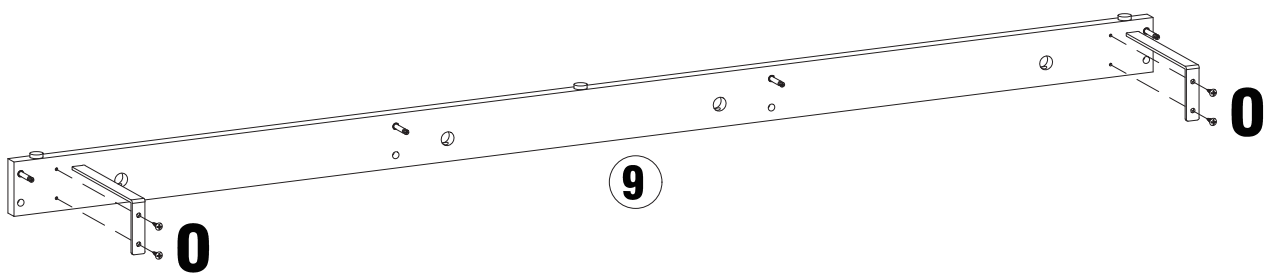
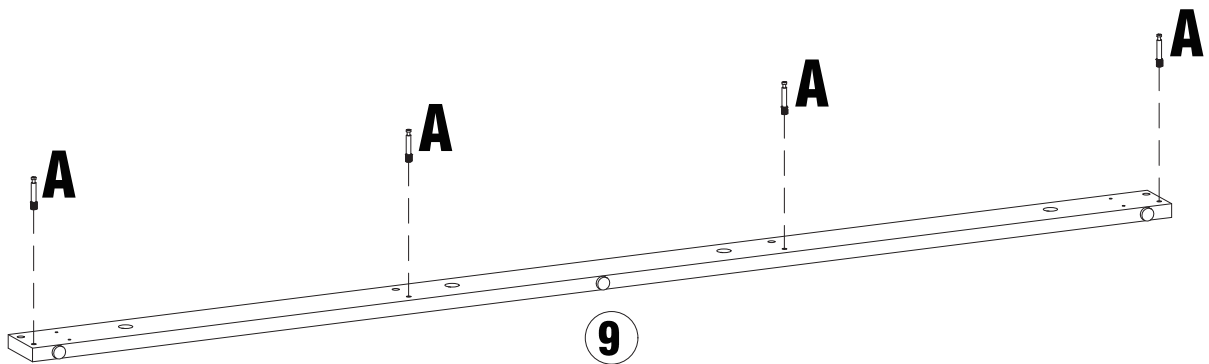
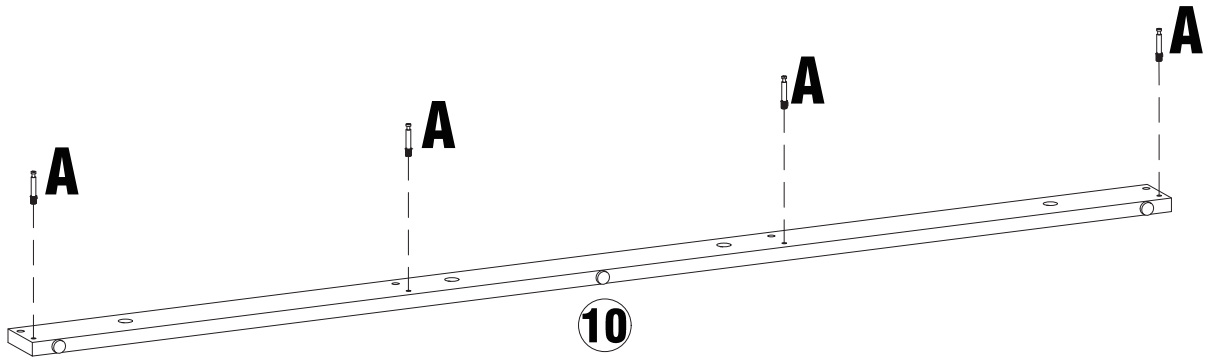
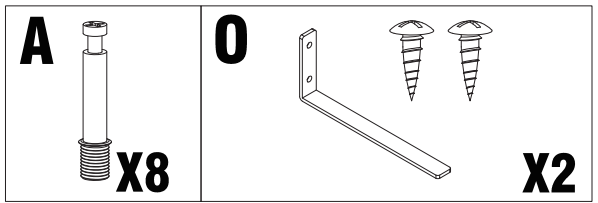
# STEP 11



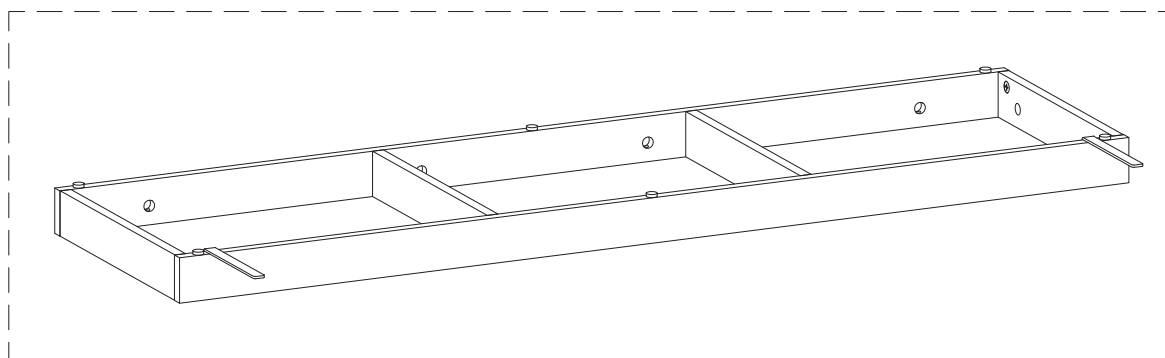
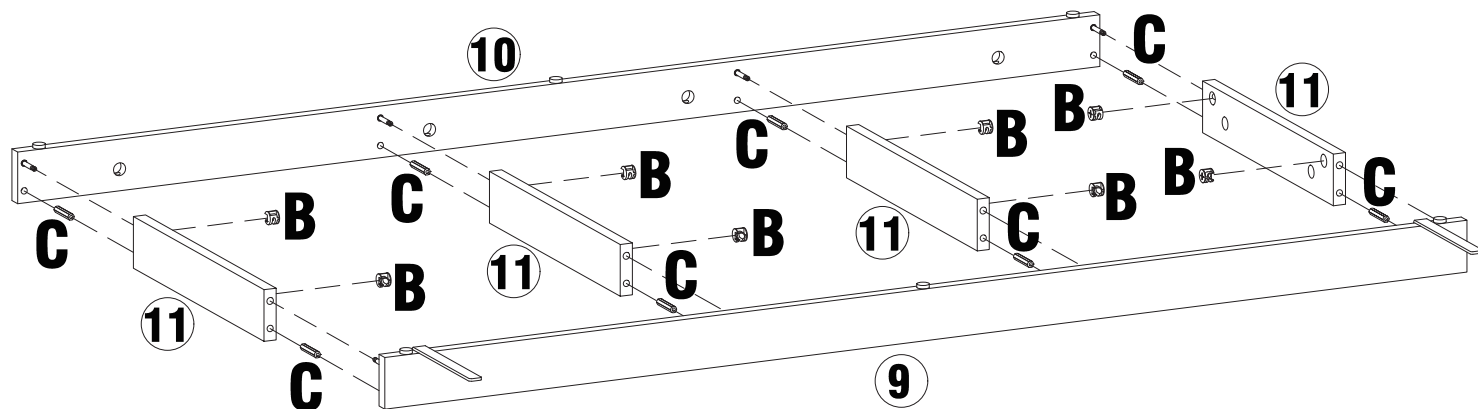
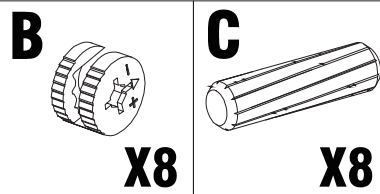
# STEP 12



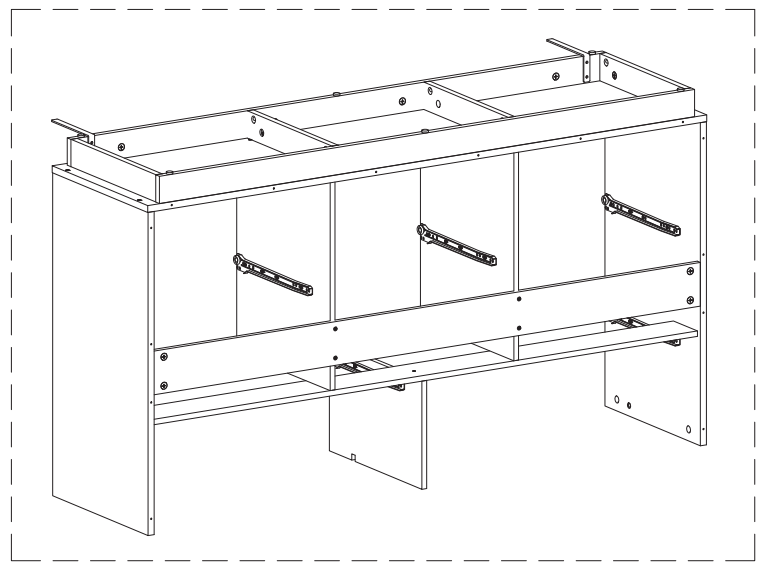
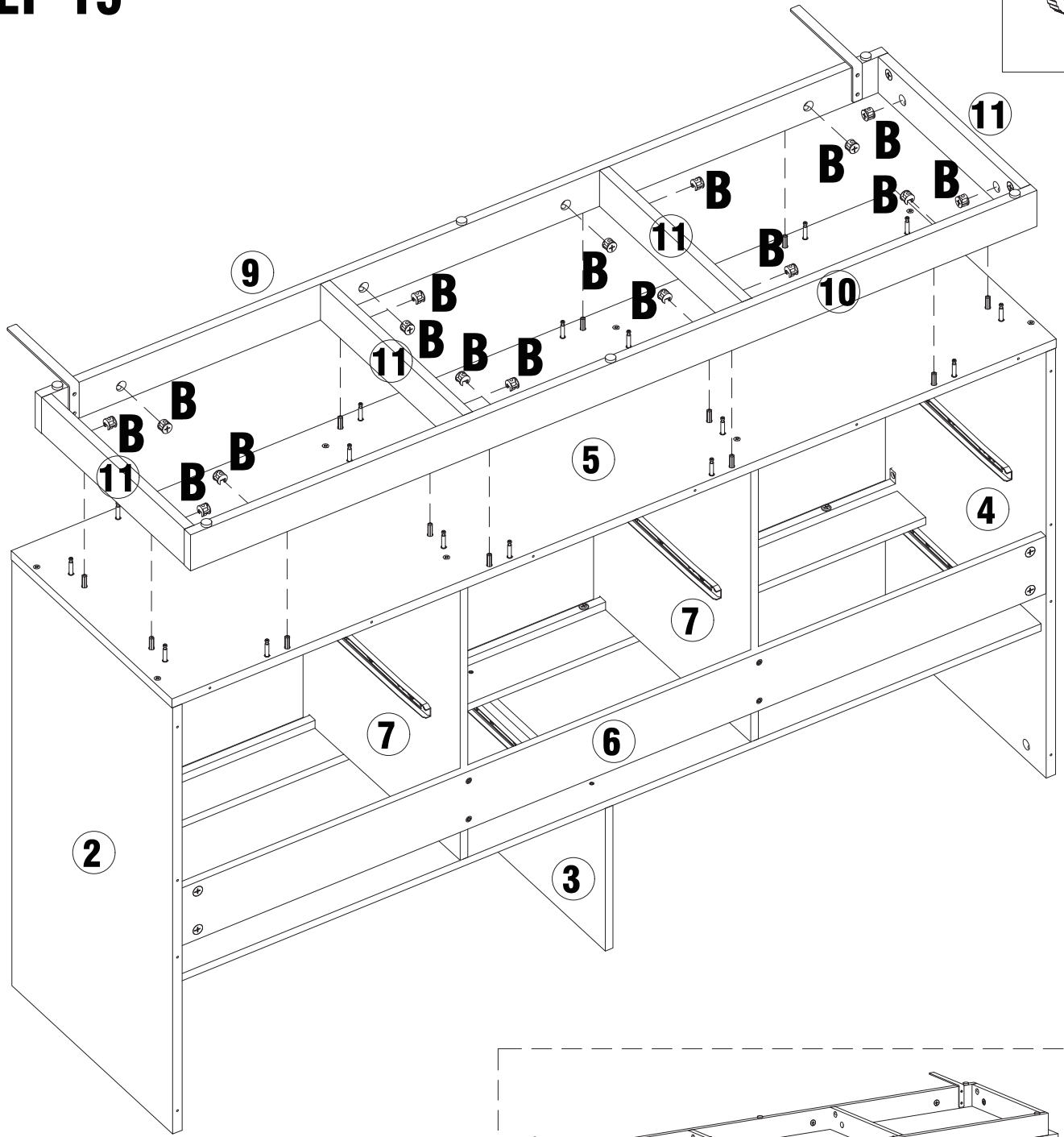
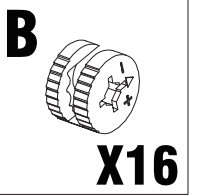
# STEP 13



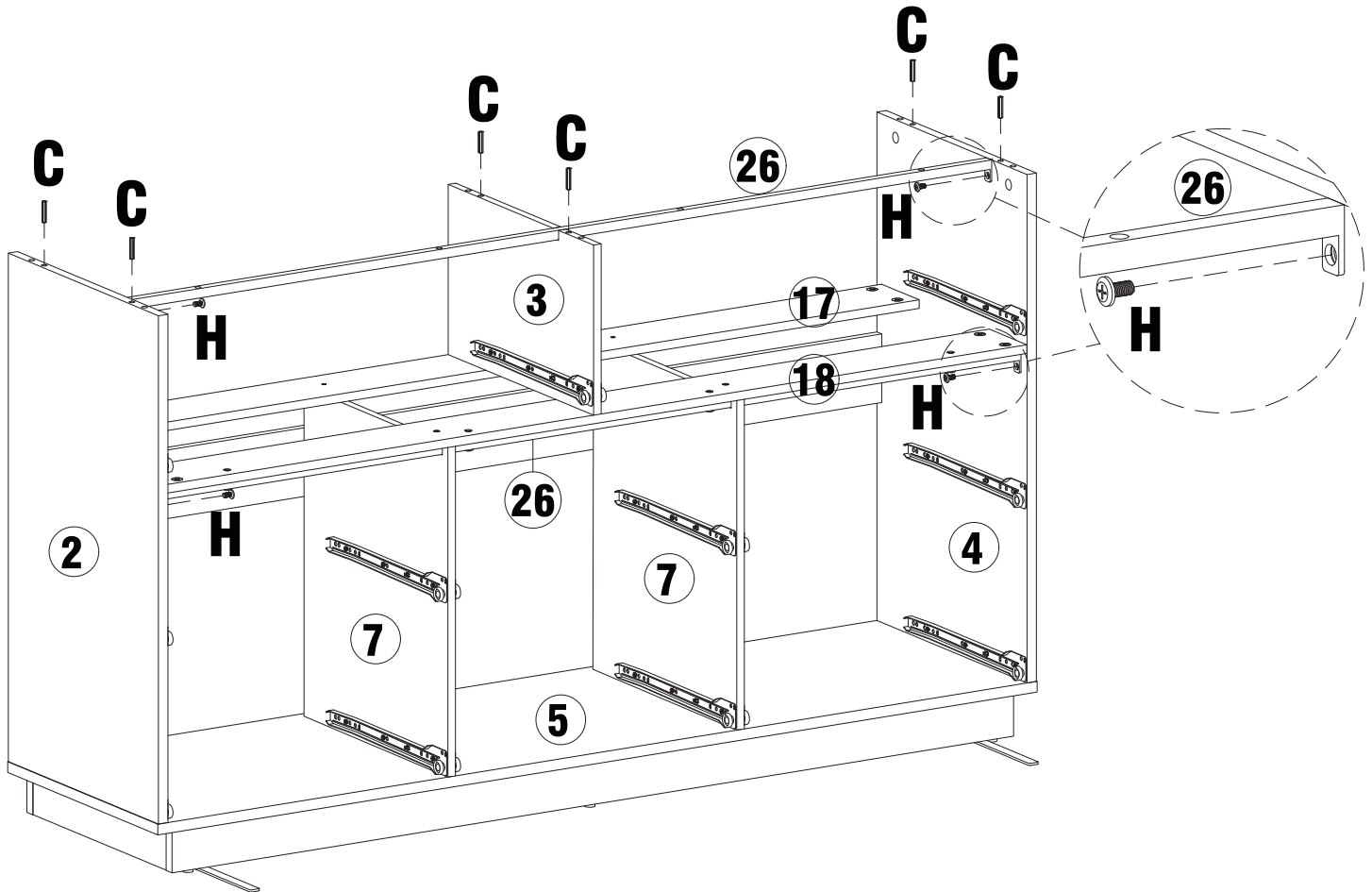
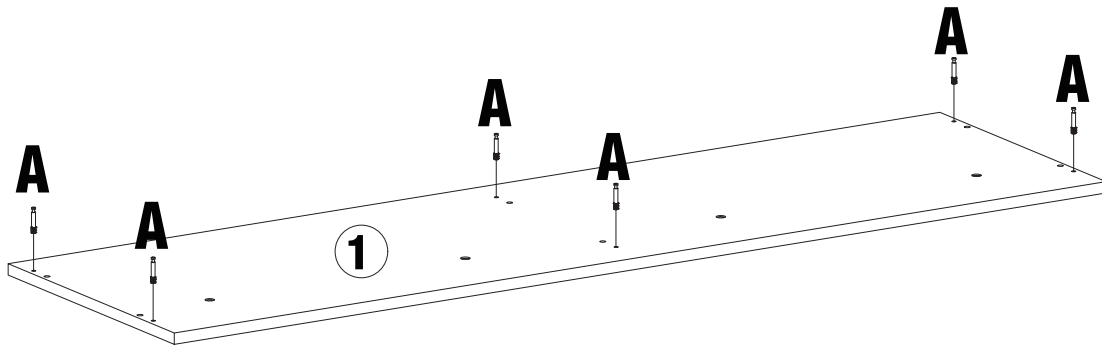
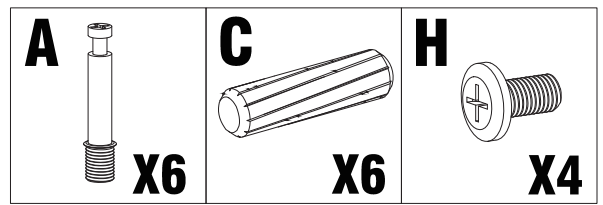
# STEP 14



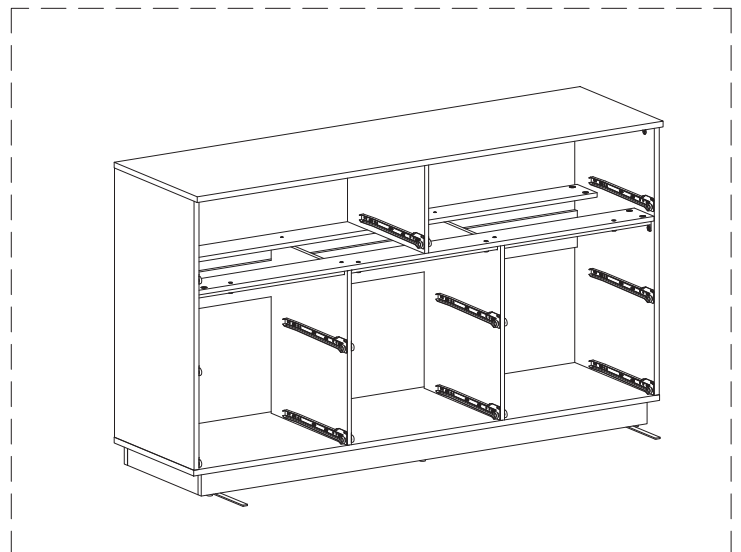
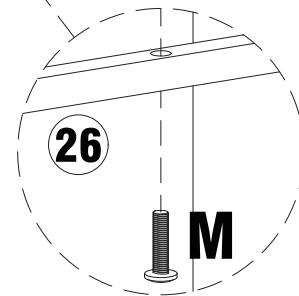
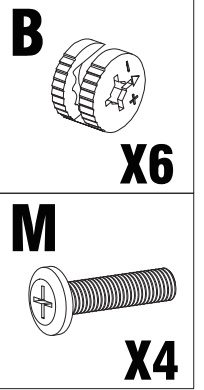
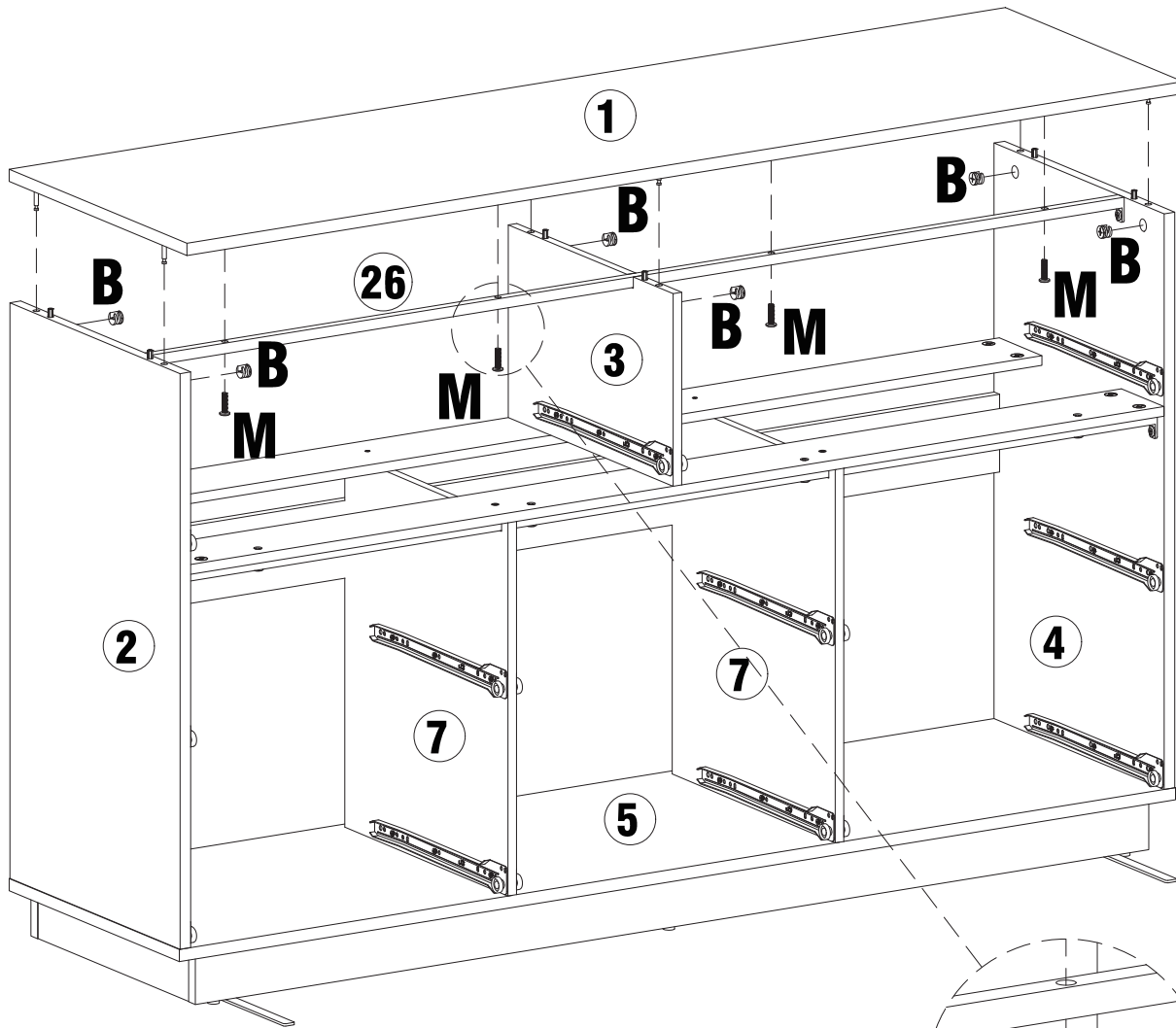
# STEP 15



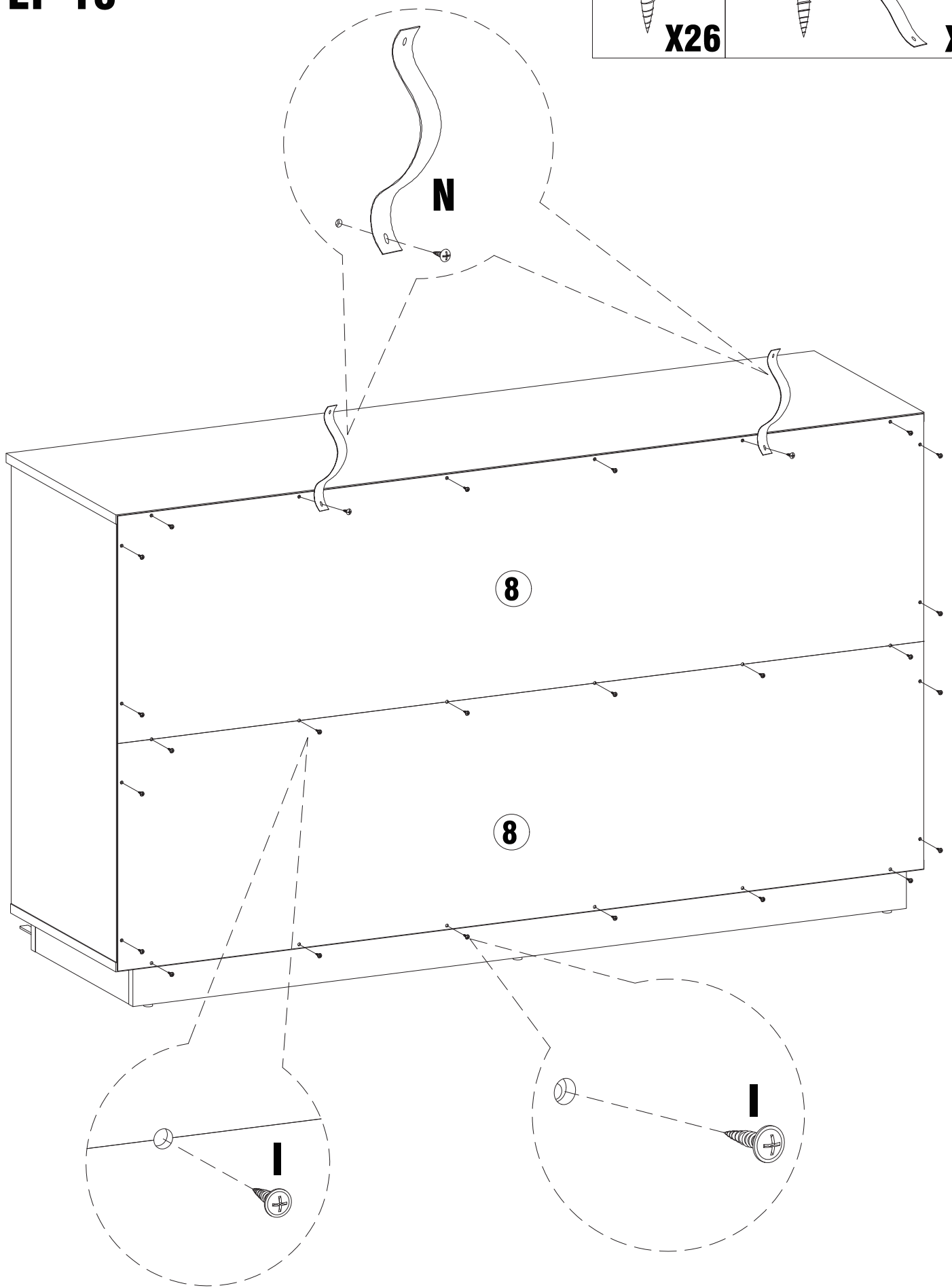
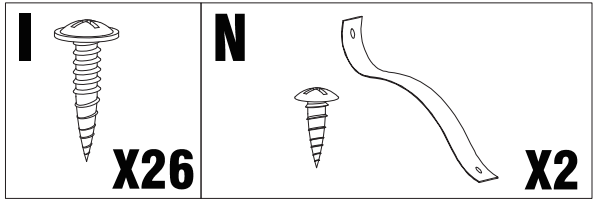
# STEP 16



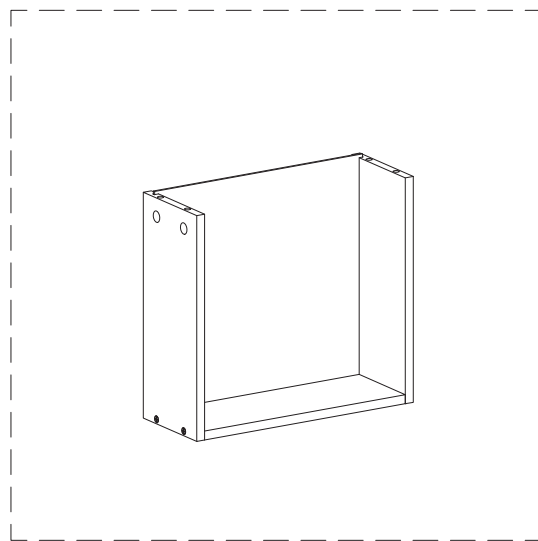
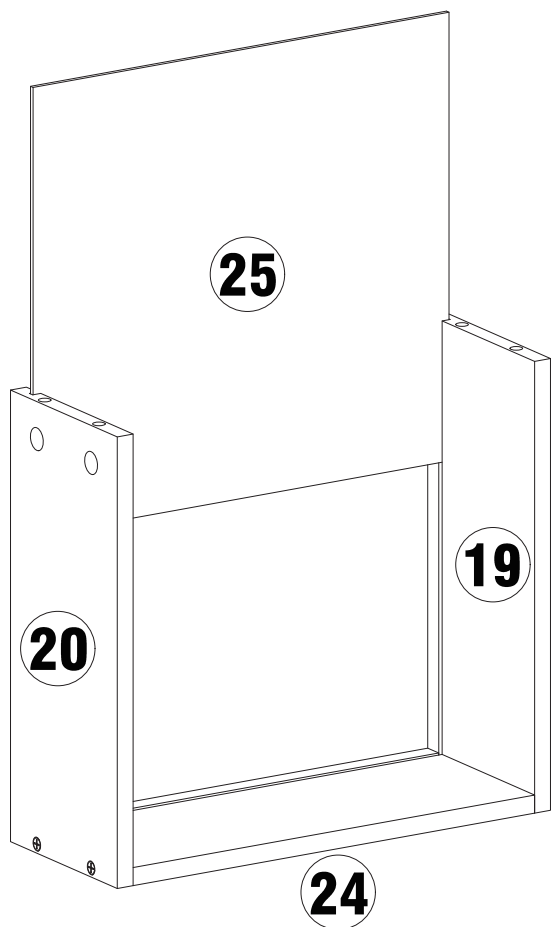
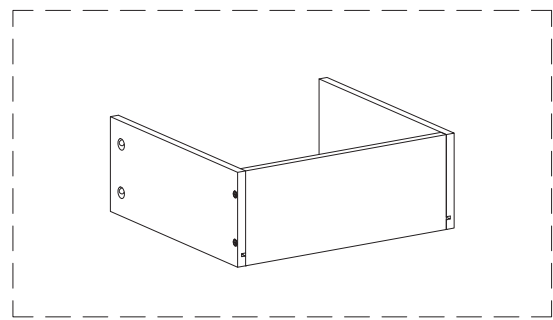
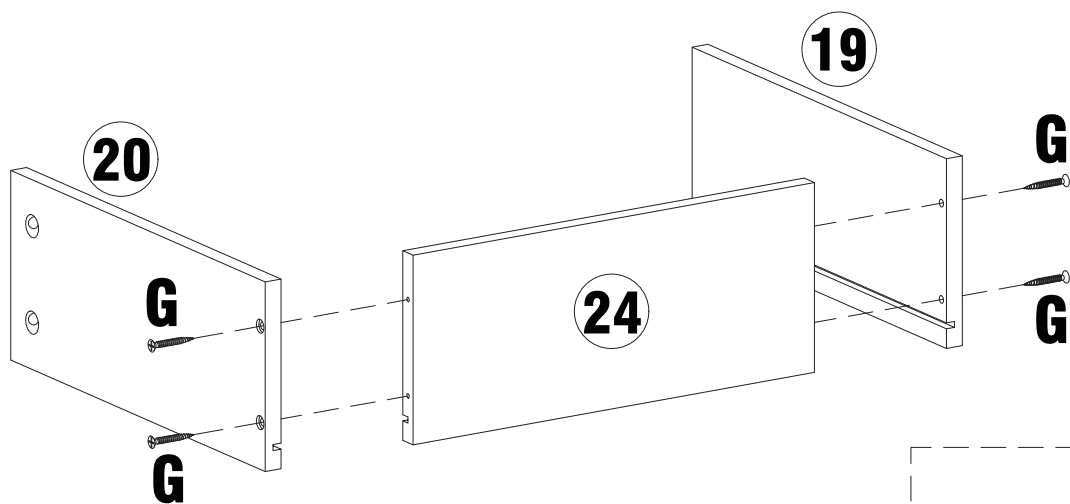
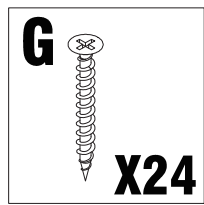
# STEP 17



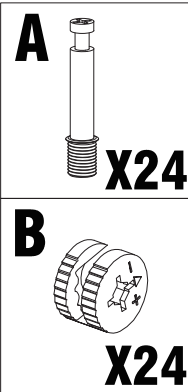
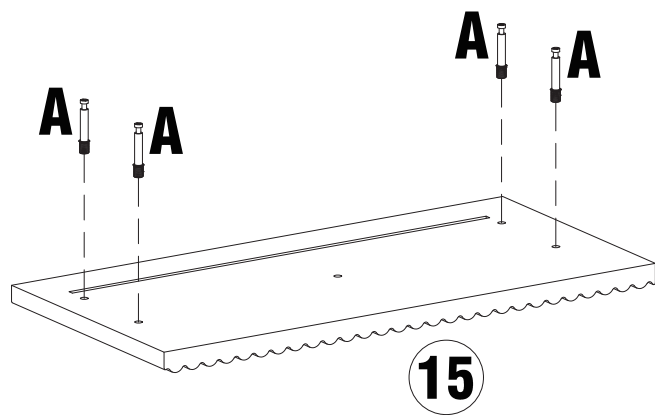
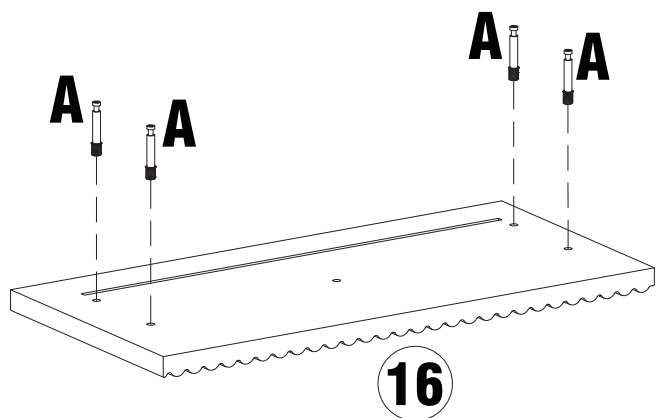
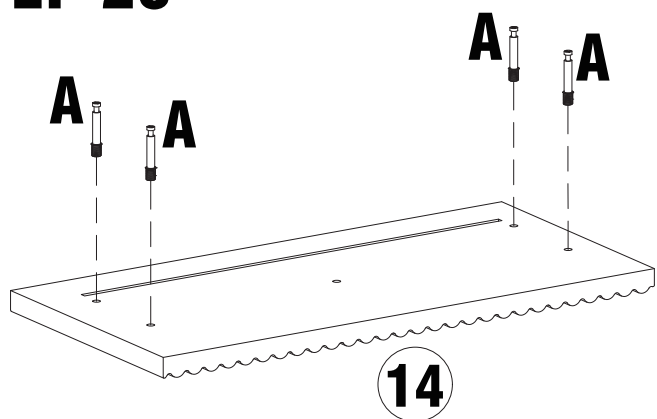
# STEP 18



# STEP 19

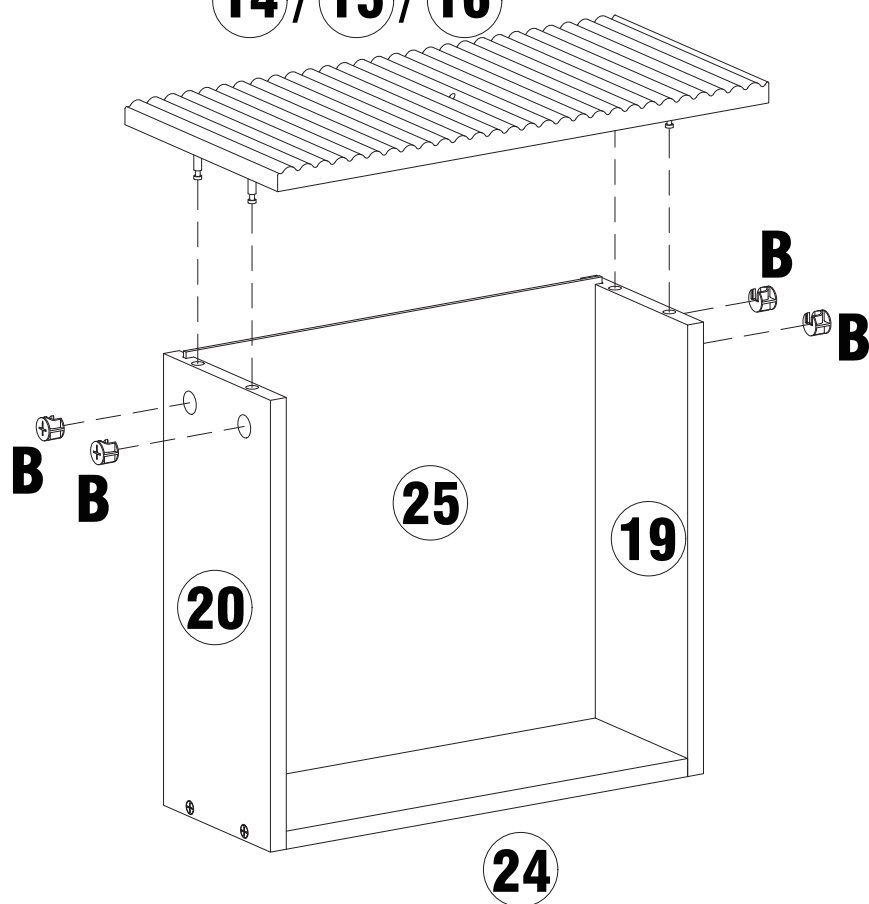


# STEP 20

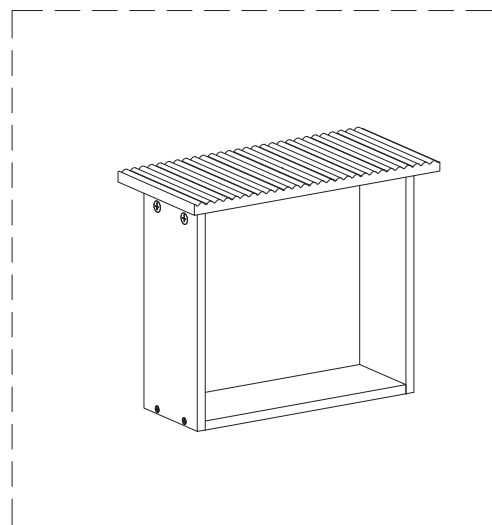


# X2

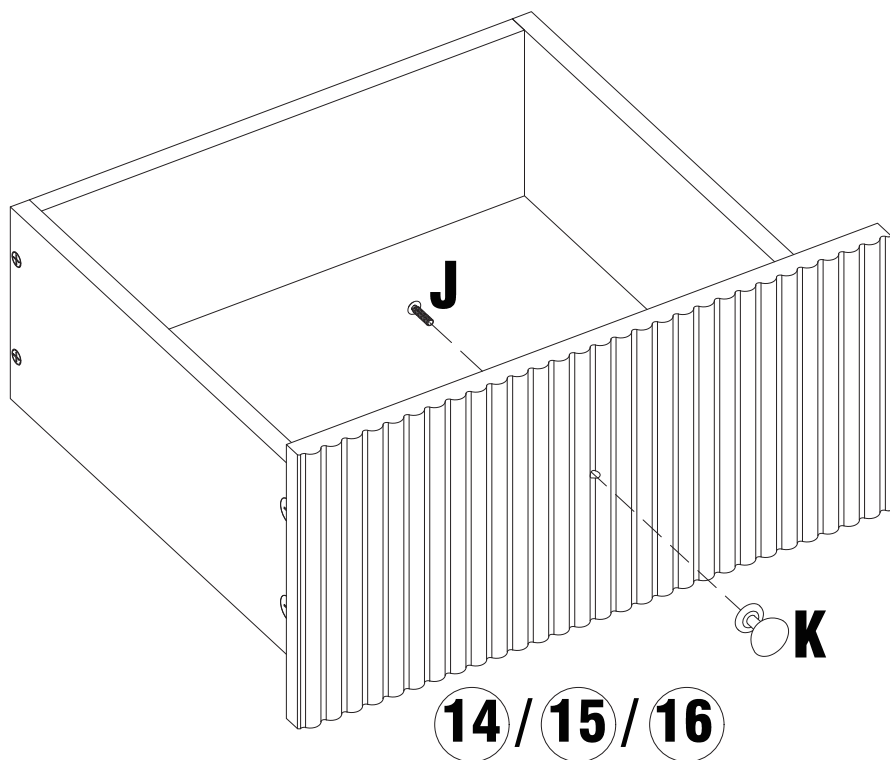
14 / 15 / 16



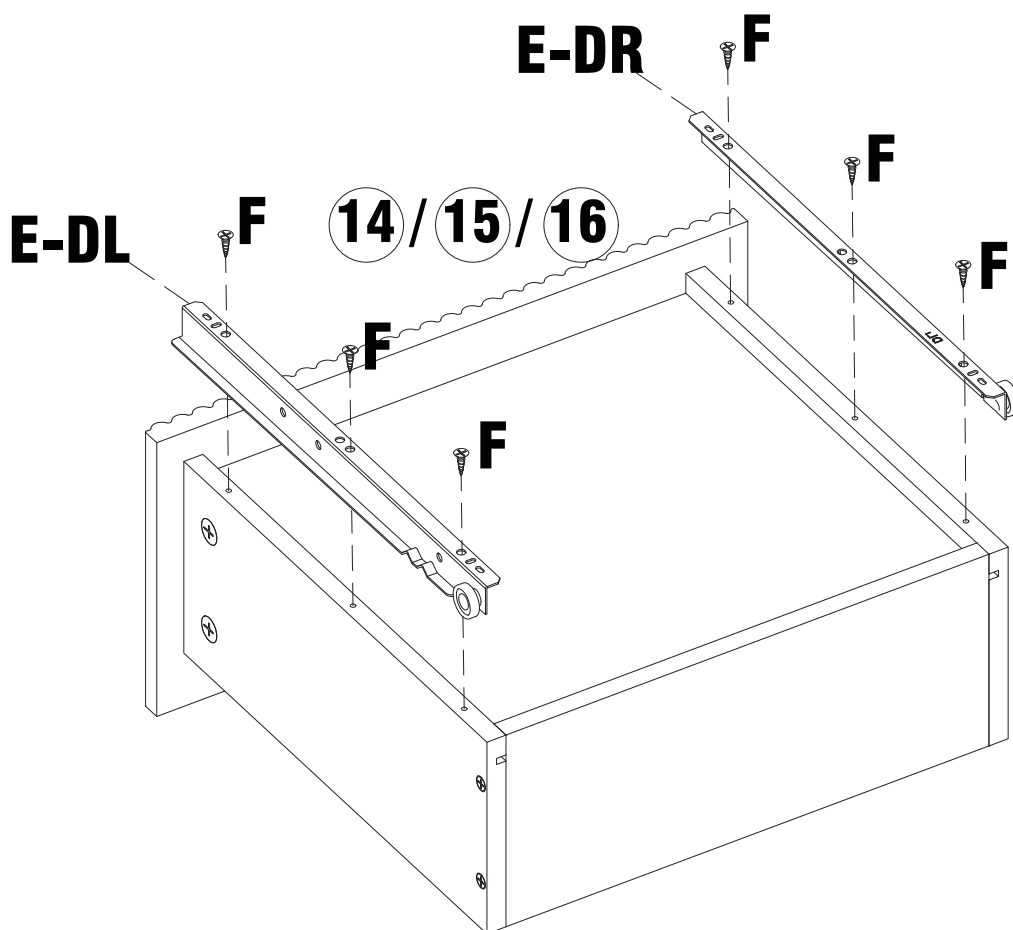
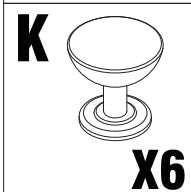
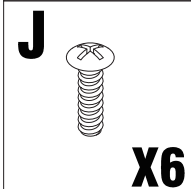
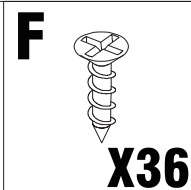
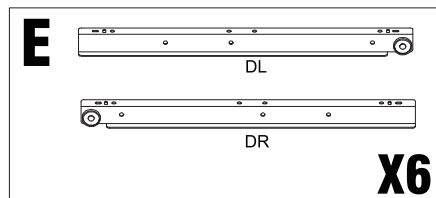
# X2



# STEP 21

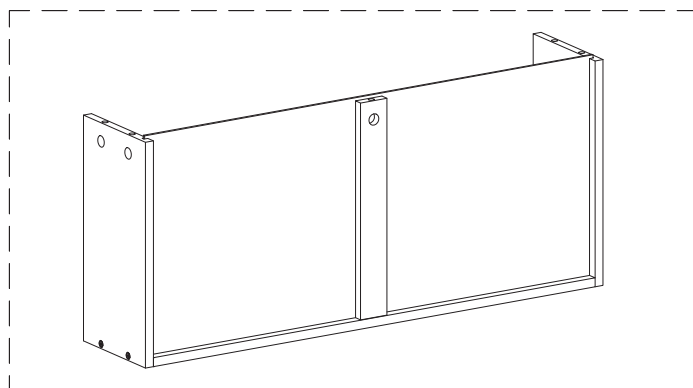
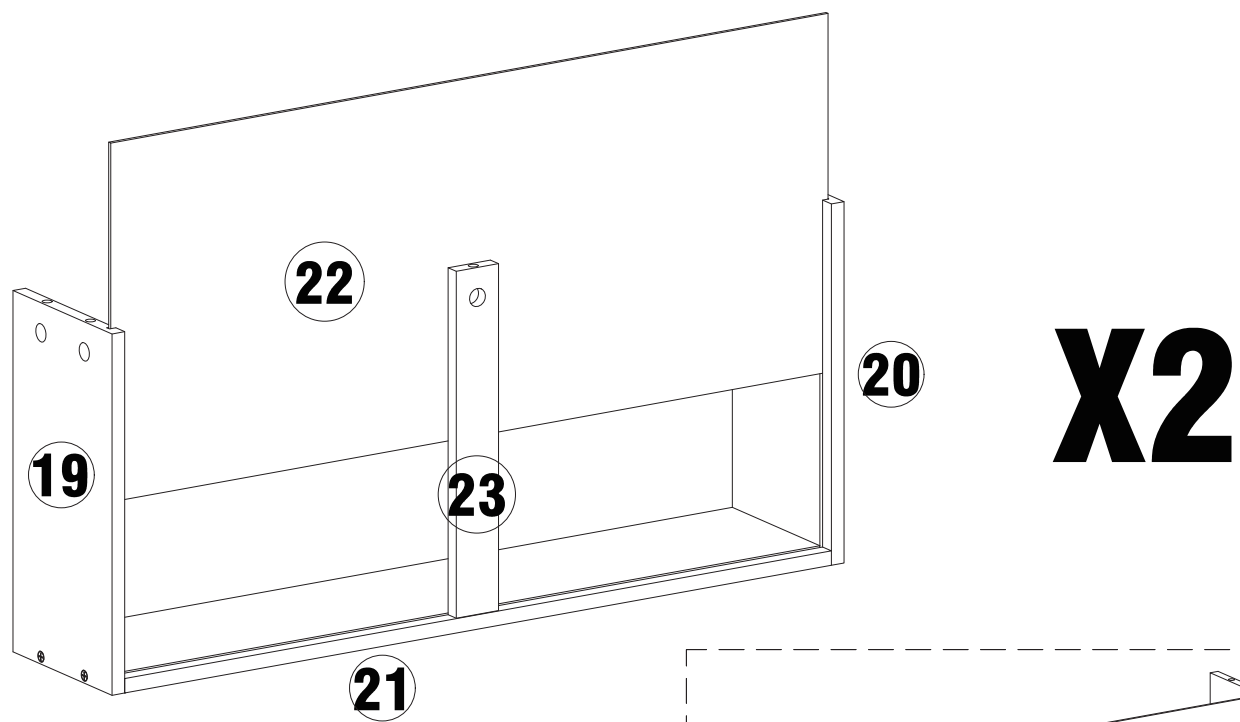
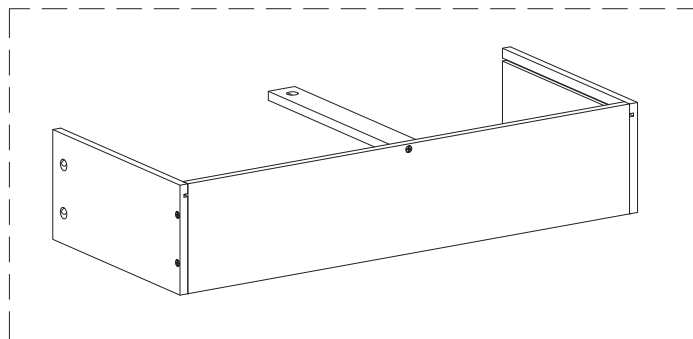
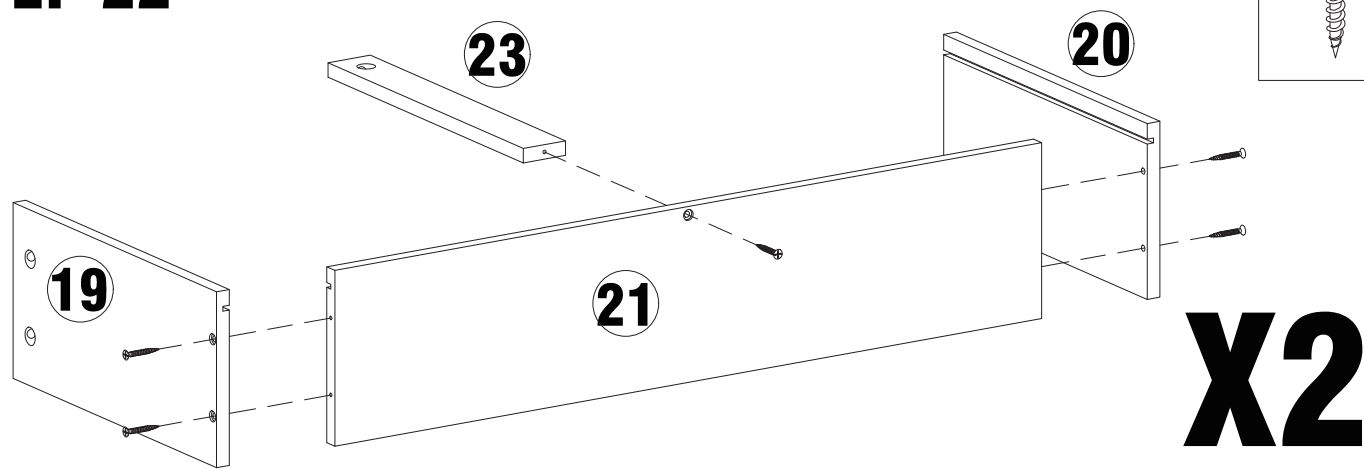
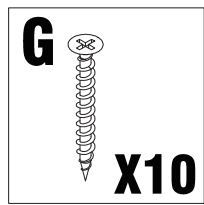


# X2

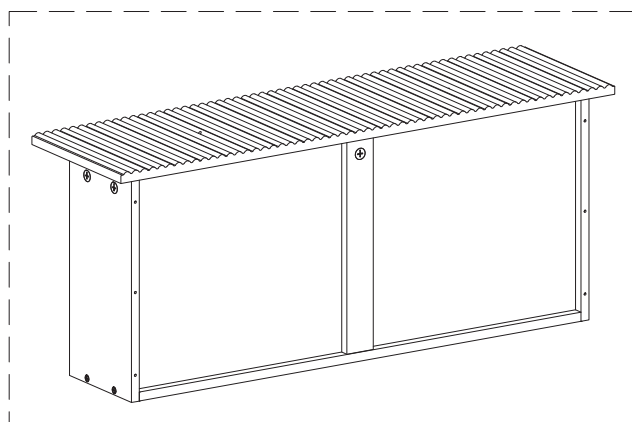
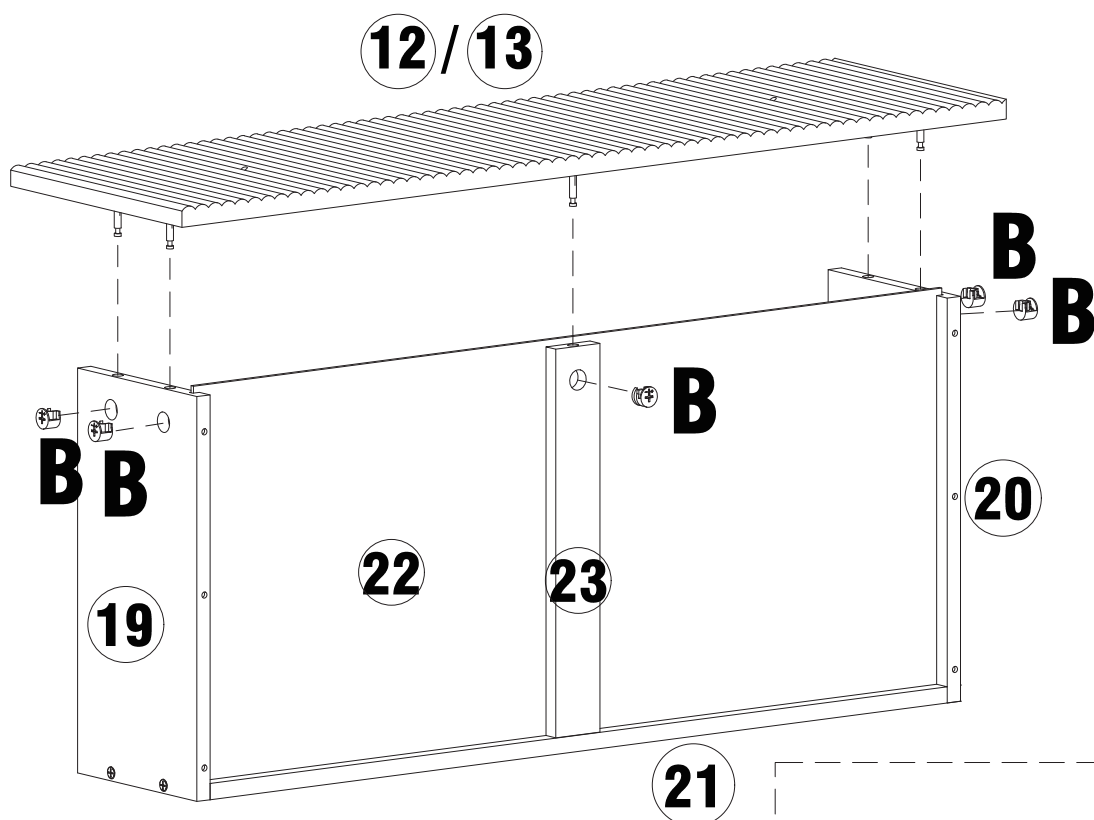
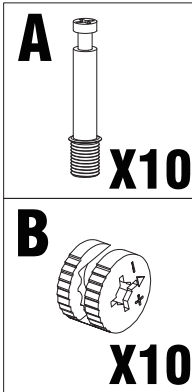
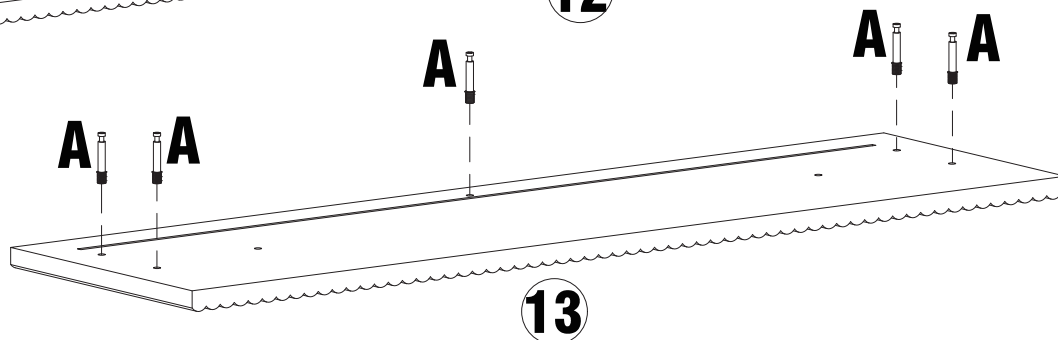
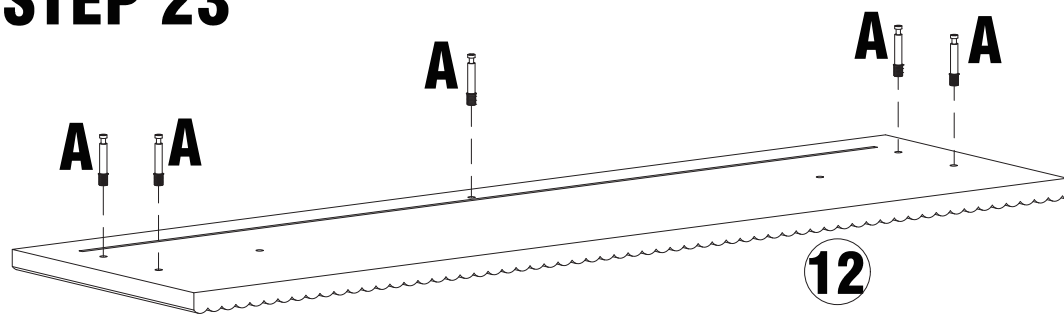


# X2

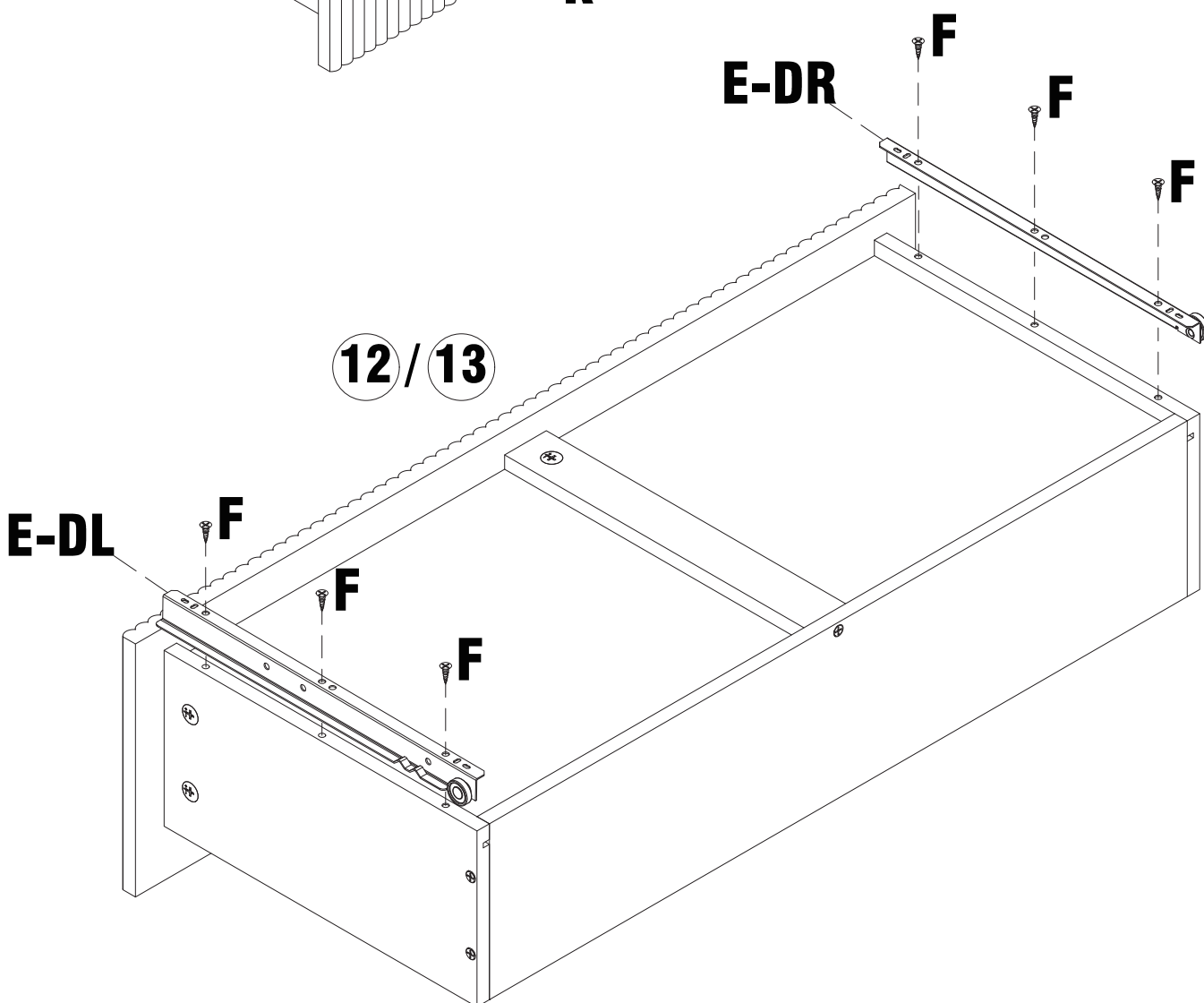
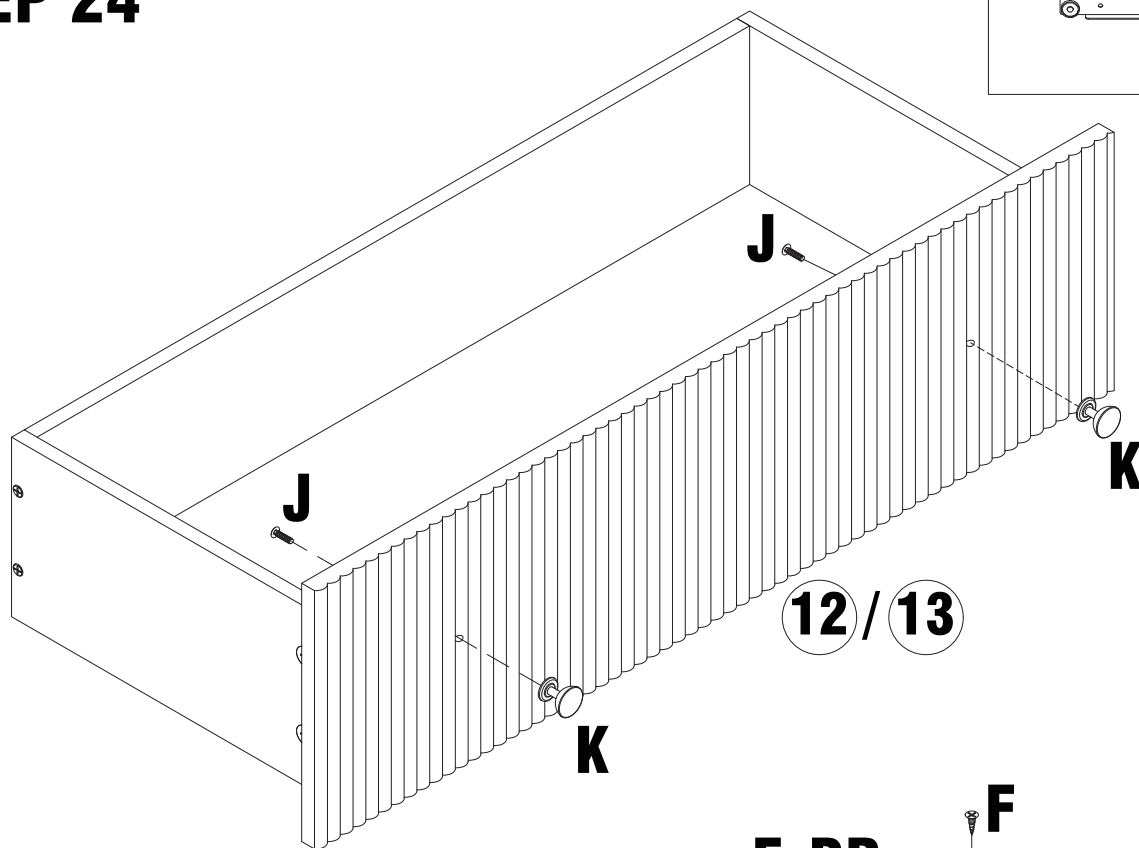
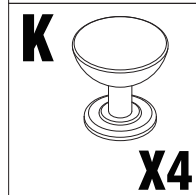
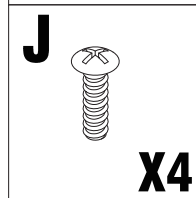
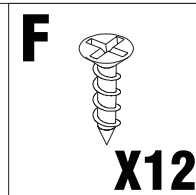
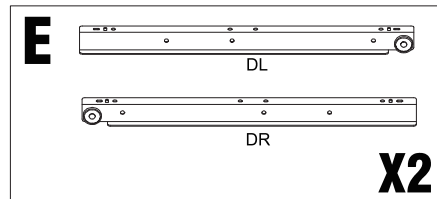
# STEP 22



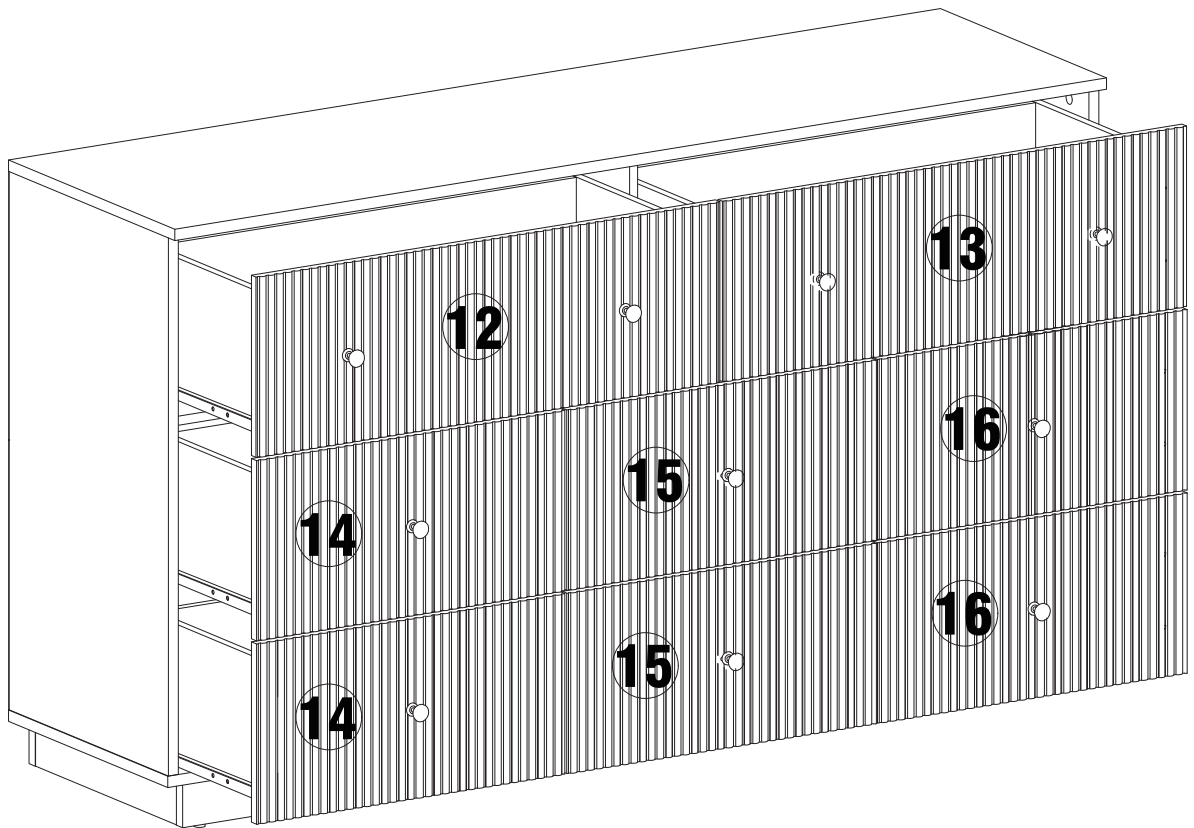
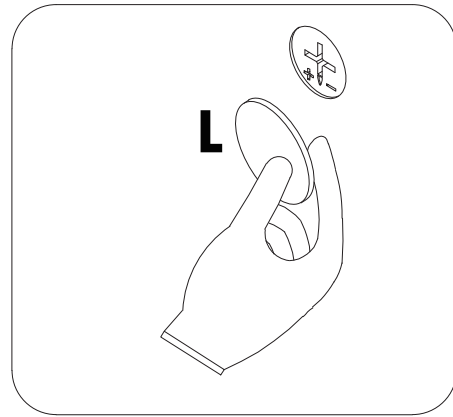
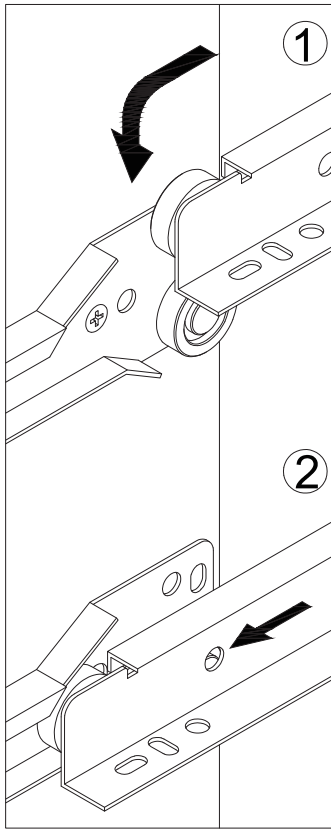
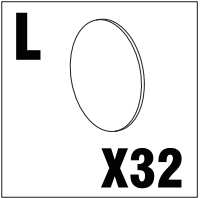
# STEP 23



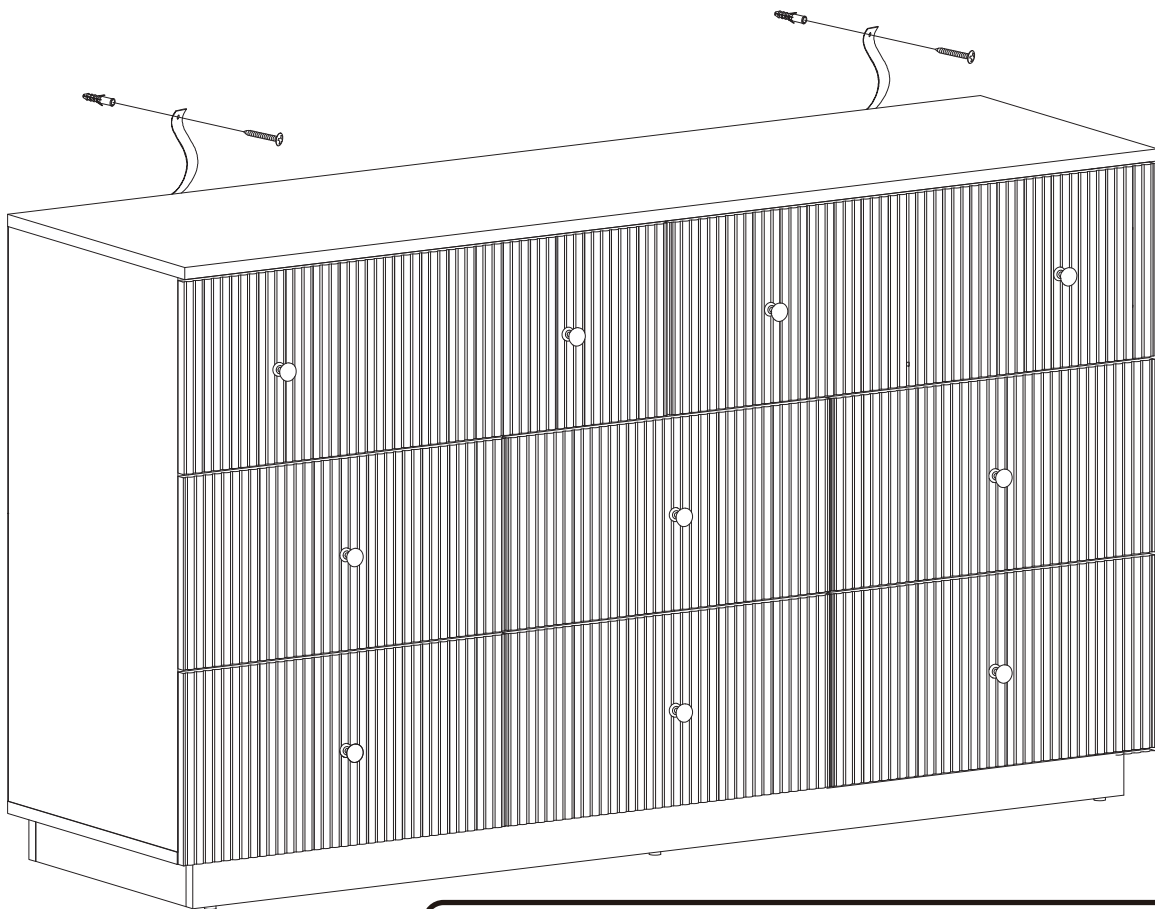
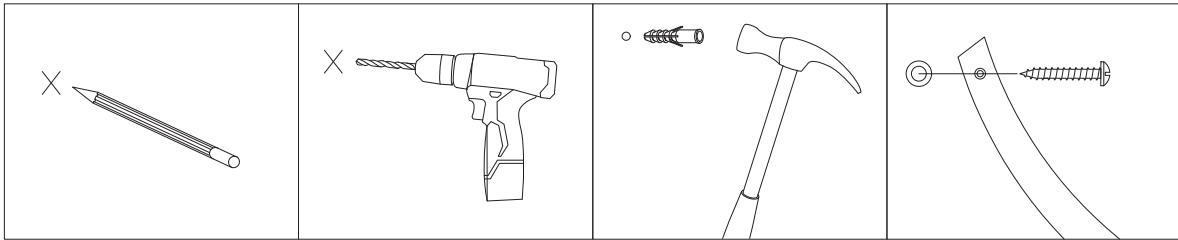
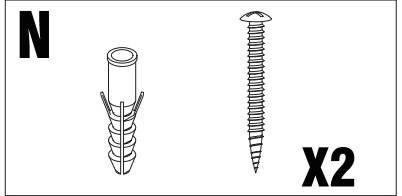
# STEP 24



# STEP 25



# STEP 26



## **⚠ WARNING**



**Children have died from furniture tipover. To reduce the risk of furniture tipover:**

- ALWAYS install anti-tip device provided.
- NEVER put a TV on this product.
- NEVER allow children to stand, climb or hang on any drawers, doors, or shelves.
- NEVER open more than one drawer at a time.
- Place heaviest items in the lowest drawers.

*this is a permanent label.  
Do not remove!*