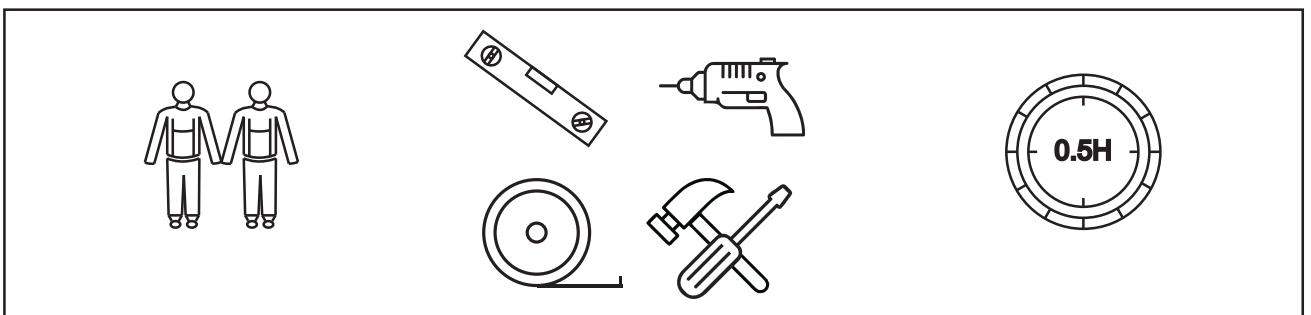
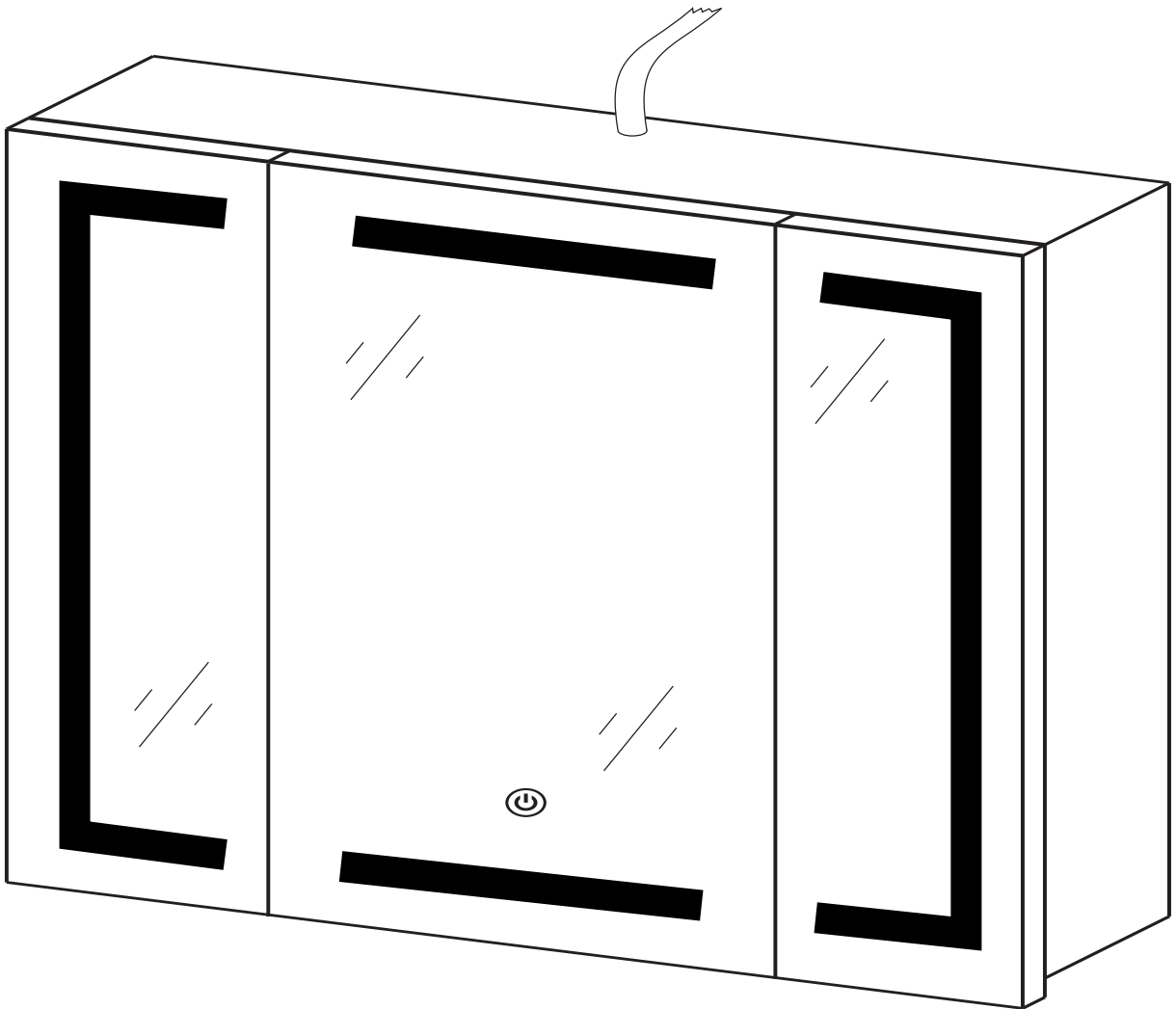
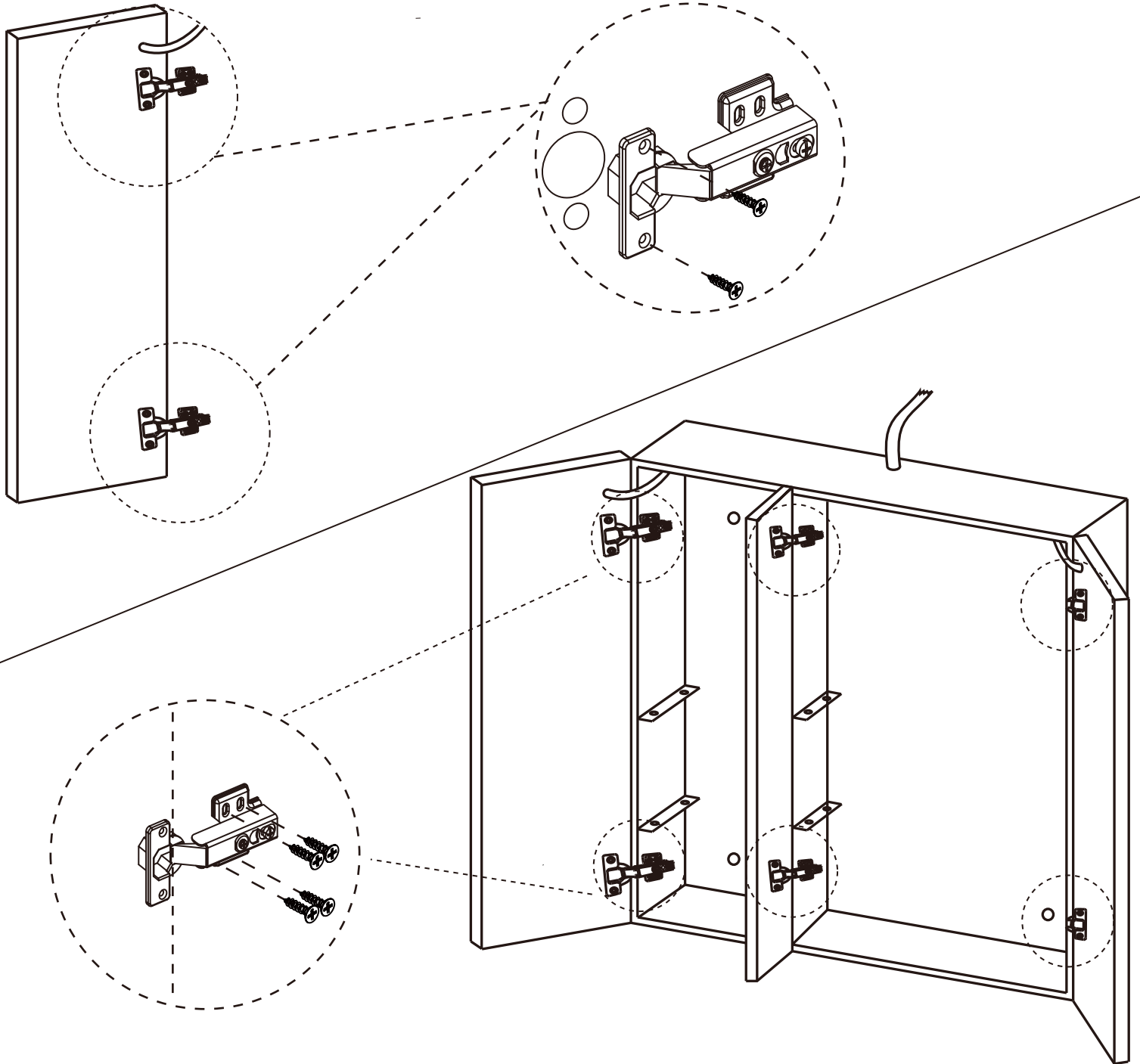


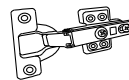
# Installation Instructions for LED Medicine cabinet



# Installation Instructions for Door



Screw hinges the door panel "left", "right" and "center" to the cabinet body



## **CAUTION:**

During operation of this product, never use hard or sharp objects directly against the mirror surface, as it may result in damage and/or personal injury.

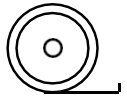
Clean the product with a soft cloth and mild detergent only. Do not use abrasives, chemical cleaners, or leave any solutions on the surface such as shampoo, etc. as they may damage the mirror.

# Installation Instructions for LED Medicine cabinet

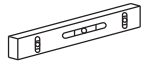
Please take time to read this leaflet carefully and retain it for future reference.

**⚠ Please put the product on the pearl cotton to avoid the glass damage**

## Tools used



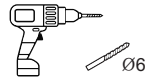
Measuring Tape



Levelling Ruler



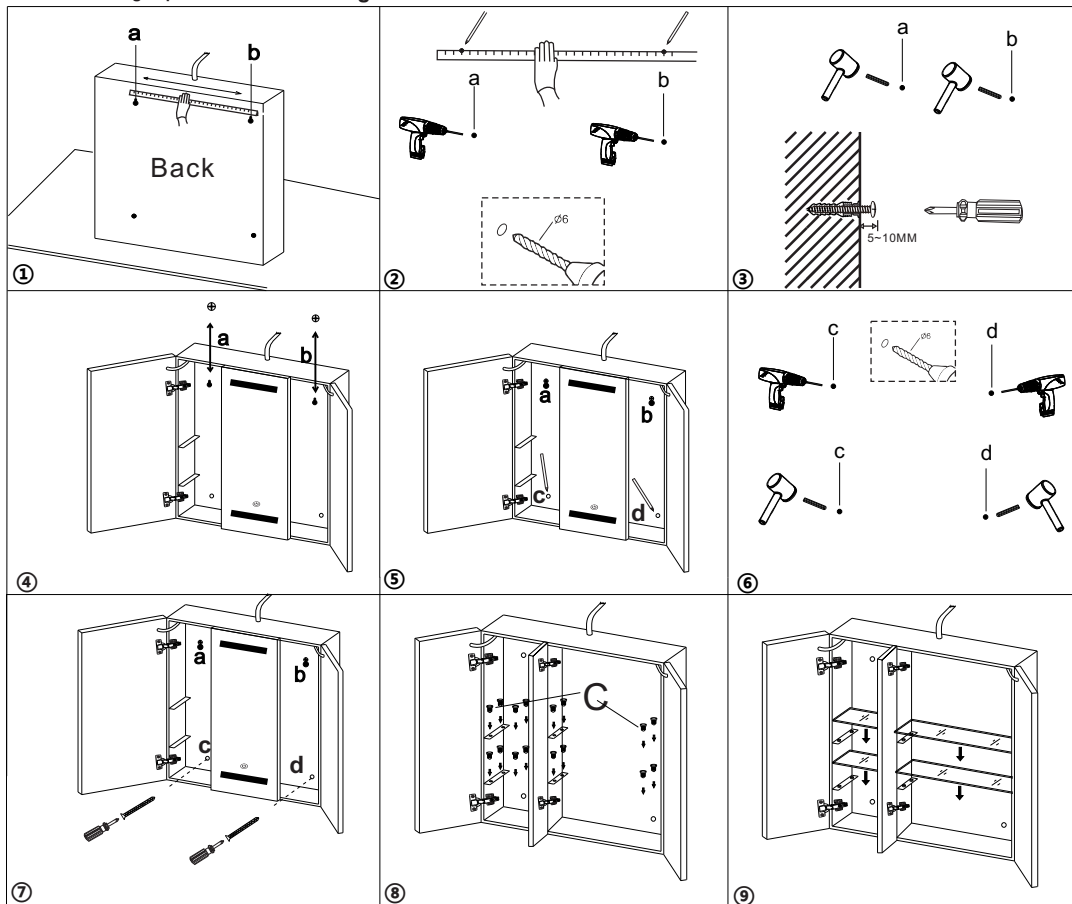
Screwdrivers





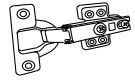




Drill with Bits



Hammers



## Accessories list

C  x16	D  x36	 x6
A  x4	B  x4	Glass  x2  x2

# Installation Instructions:

Fig1: Measure the distance between a/b.

Fig2: Mark the location of the holes horizontally on the wall and drill the holes.

Fig3: Hammer "A" anchors into the pre-drilled holes. Fix the screw "B" into the holes and make the screw protrude 5-10mm.

Fig4: Make the holes a/b align with the screw and hang the product.

Fig5: Measure the distance between c/d and mark the location.

Fig6: Drill the holes of c/d and hammer "A" anchors into the holes.

Fig7: Tighten the screws of c/d and a/b.

Fig8: Put the buffer "C" into shelf support to avoid the glass move.

Fig9: Put the glass shelf into the cabinet to complete the installation.

Joint point reference      The joint in the cabinet      Door wire joint

Tighten the knob after connected

**⚠ Cut off the power supply for installation**

Wire connecting door panel and cabinet,  
② tighten the knob as step 2 sketch.


Input terminal wiring diagram for US specifications


Black		Black
Green		Green
White		White

MAIN SUPPLY

## FUNTION:

The switch  control the light ON/OFF;

Dimmer: Keep pressing the  switch for over 2 seconds to adjust the brightness from 10% to 100%;

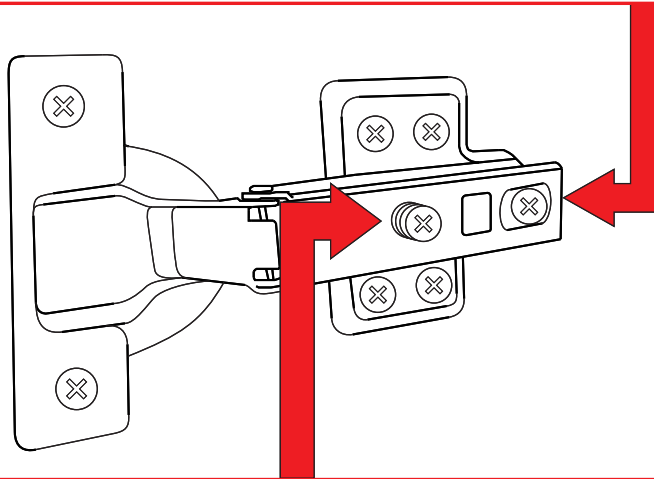
CCT: Short press the  switch, the lighting color temperature can be adjust to either 3000K / 4500K / 6400K.

Brightness Memory: When the light is turned on it will remain the last turn-off brightness level.

There is a white shaver socket inside the mirror cabinet.  
The maximum power of electrical appliances using this shaver socket cannot exceed 1000 watts.

## How to adjust the hinge

Loosen the screw by turning it counterclockwise to adjust the front and back movement of the door panel. After the adjustment is completed, fix the screw clockwise.



Turn clockwise to adjust the door panel to move to the right,  
Turn counterclockwise to adjust the door panel to move to the left.