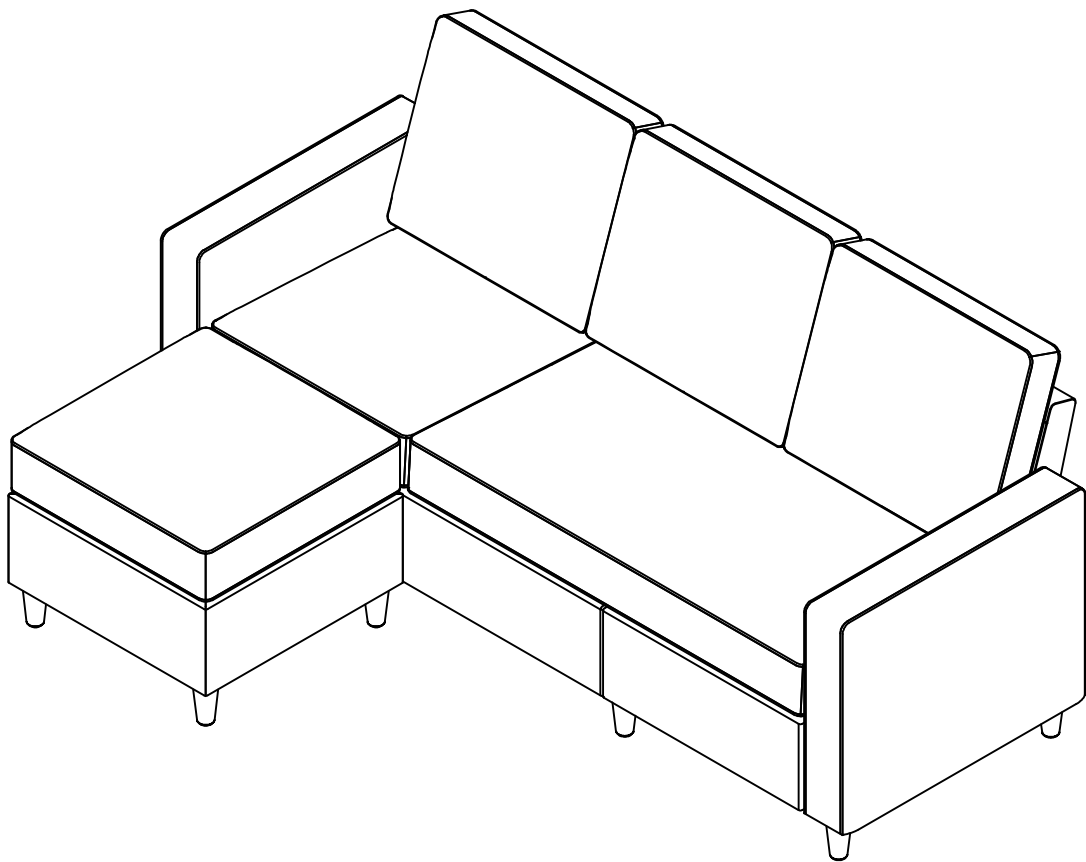


Assembly Instruction



*Please check that all parts are in good condition before assembling.
If any aren't, hold off assembling the product and contact us straight away so we can resolve this for you.
You'll find our email and telephone number on the back of this guide.*

NOTICE:

Please retain these instructions for future reference.

- Please read the instruction sheets carefully before assembly.
Remove all parts from carton and ensure all parts are included prior to assembly. If you notice any parts missing or defective, stop assembly immediately and contact us
- Assemble the sofa on a protected surface to prevent product components from scratches.
- Be careful not to cross-thread screws.
- Do not use power tools.
- Two people are recommended for assembly.
- Seat and back cushions may take more than 72 hours to fully expand, which will allow wrinkles caused by packing to fade.

RETURN/DAMAGE CLAIM INSTRUCTIONS:

- DO NOT discard the box/original packaging if return is required. We may refuse return if item is returned without original packaging.
- A photo of the markings on the side of the box (showing model and batch details) is required in case a part is needed for replacement. This helps us to identify your product batch to ensure you receive the correct parts.
- A photo of the damage is always required to file a damage claim for replacement or refund processed quickly. Please make sure you have the box even if it is damaged for purpose of return shipment.



Assembly requires 2 people.
It's always easier with a
friend.



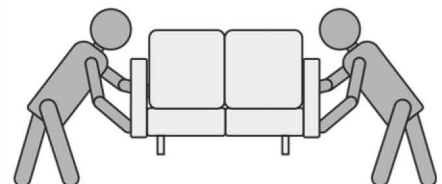
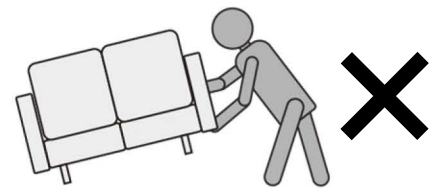
Assembling this product on
a soft surface protects its
finish.



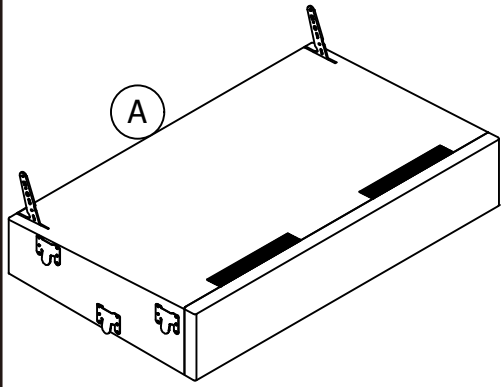
2 PEOPLE
ASSEMBLY



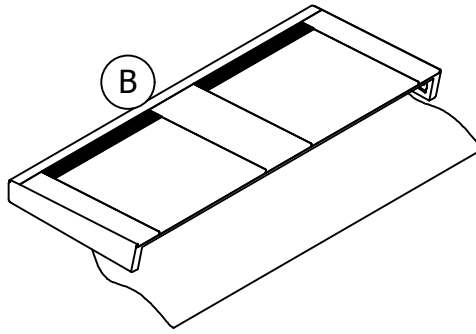
APPROXIMATELY
30 MIN.
ASSEMBLY



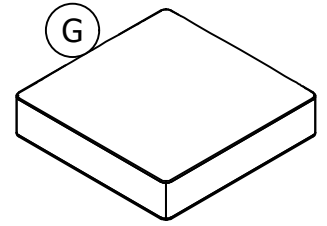
PARTS LIST - BOX 1



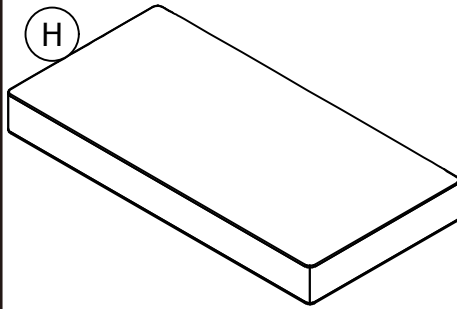
2-Seat Base X 1 PC



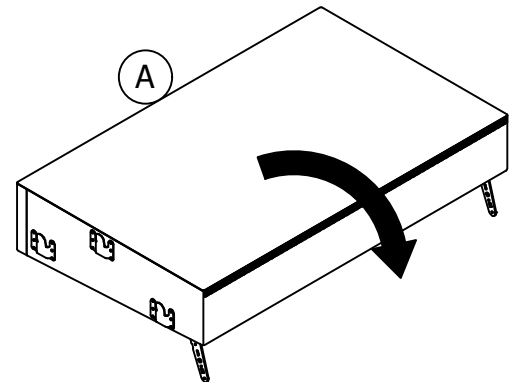
2-Seat Backrest X 1 PC



Seat Cushion X 2 PCS



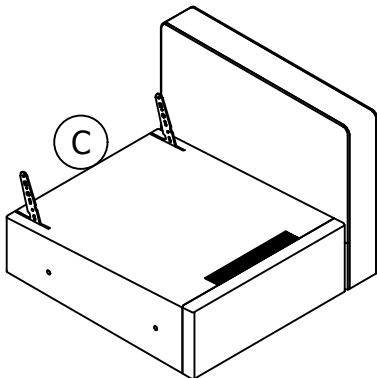
2-Seat Cushion X 1 PC



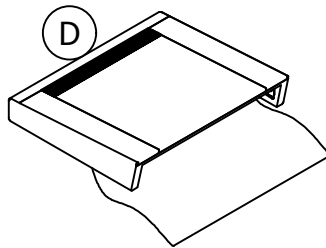
NOTE: This item is packed in 2 boxes!
All parts listed on this page are in Box 1.
If Box 2 is missing please contact your Retailer.

! *Seat Cushions and 2-Seat Cushion will be found in the compartment under the seat as shown.*

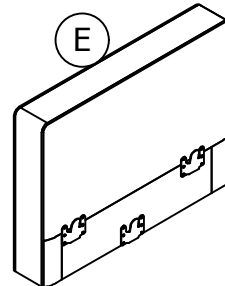
PARTS LIST - BOX 2



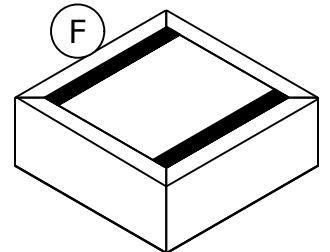
1-Seat Base X 1 PC



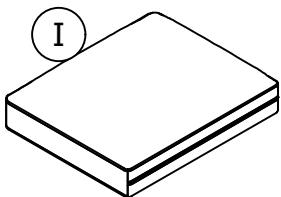
1-Seat Backrest X 1 PC



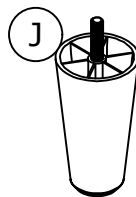
Arm X 1PC



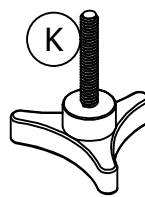
Chaise Base X 1PC



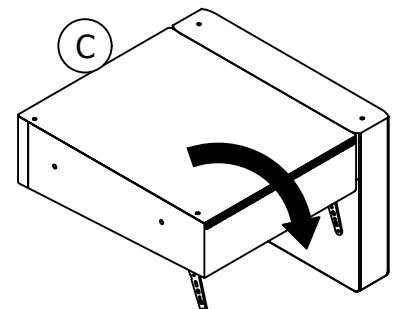
Back Cushion X 3 PCS



Leg X 10 PCS



Bolt X 2 PCS

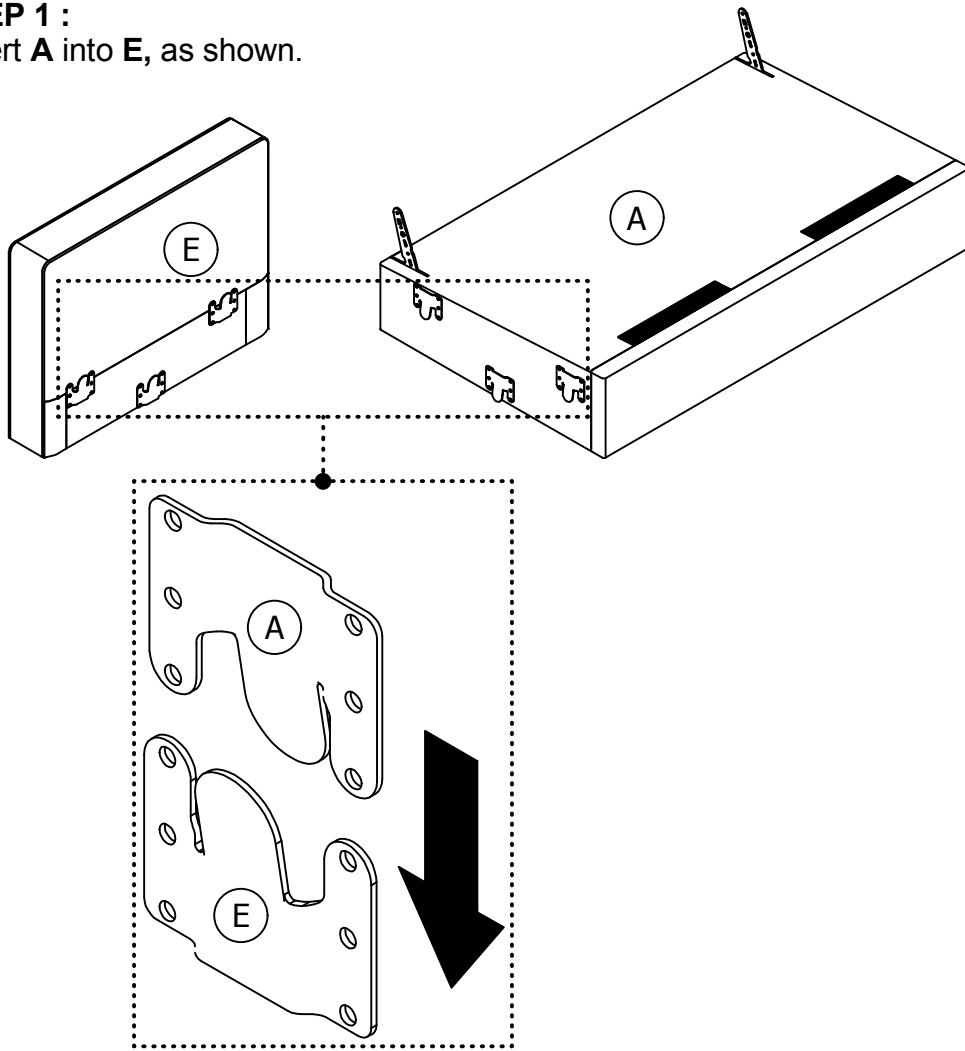


NOTE: This item is packed in 2 boxes!
All parts listed on this page are in Box 2.
If Box 1 is missing please contact your Retailer.

! *1-Seat Backrest, Back Cushion, Legs and Bolts will be found in the compartment under the seat as shown.*

STEP 1 :

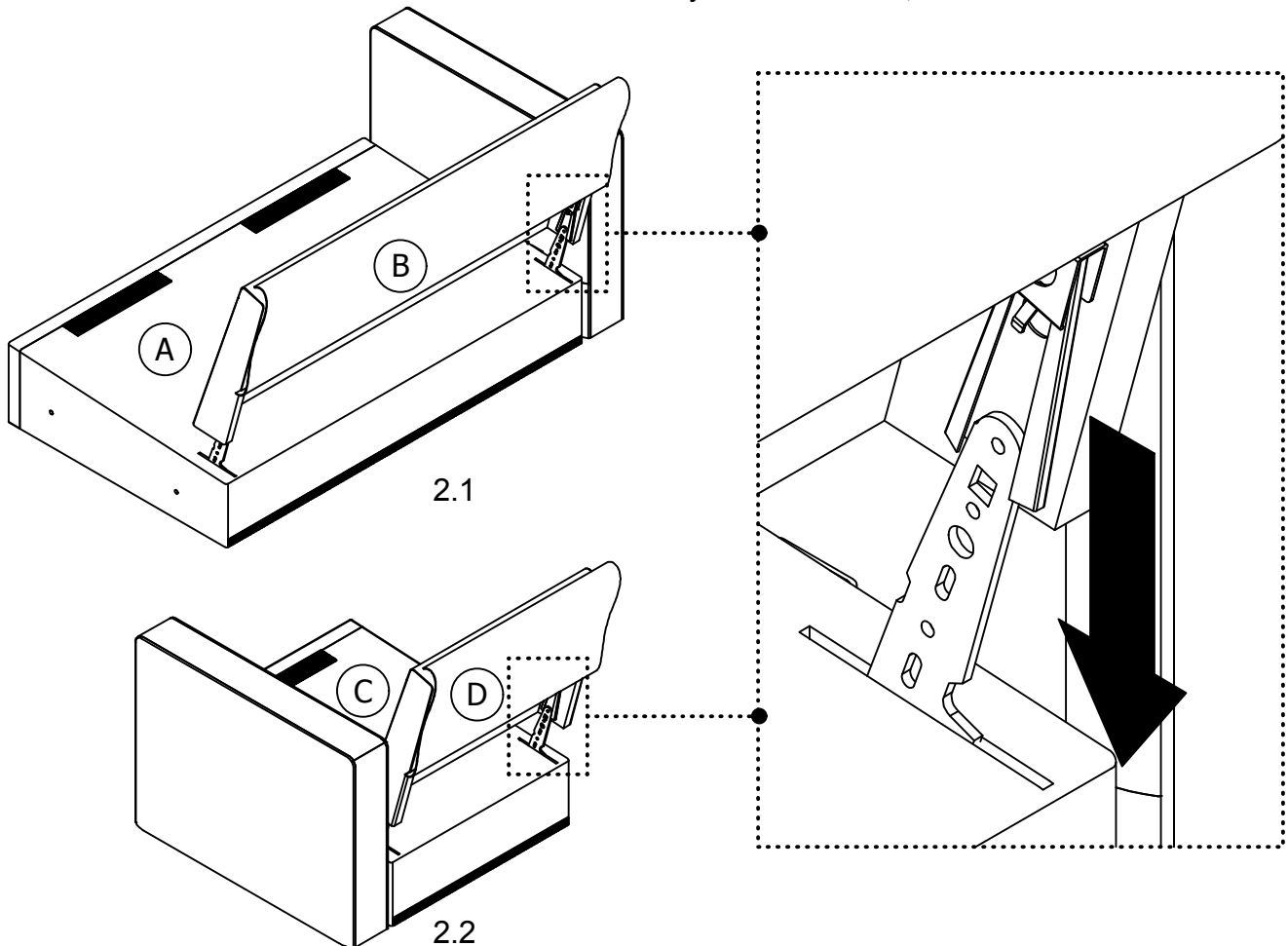
Insert **A** into **E**, as shown.



STEP 2:

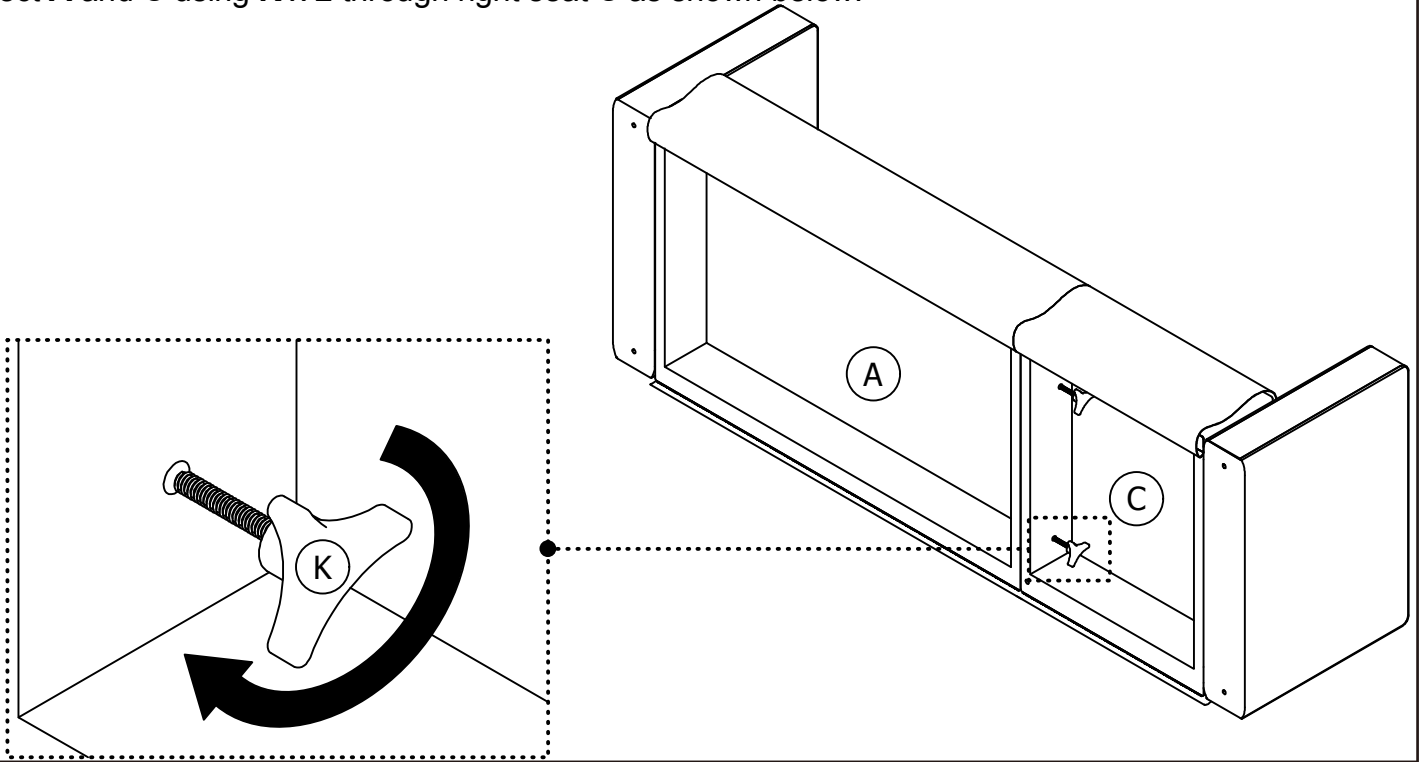
2.1 Lift the fabric cover and then insert **B** into **A** until you hear "Click".

2.2 Lift the fabric cover and then insert **D** into **C** until you hear "Click", as shown.



STEP 3:


Lay **A** and **C** on its back on a clean, smooth surface.
Connect **A** and **C** using **K** x 2 through right seat **C** as shown below.

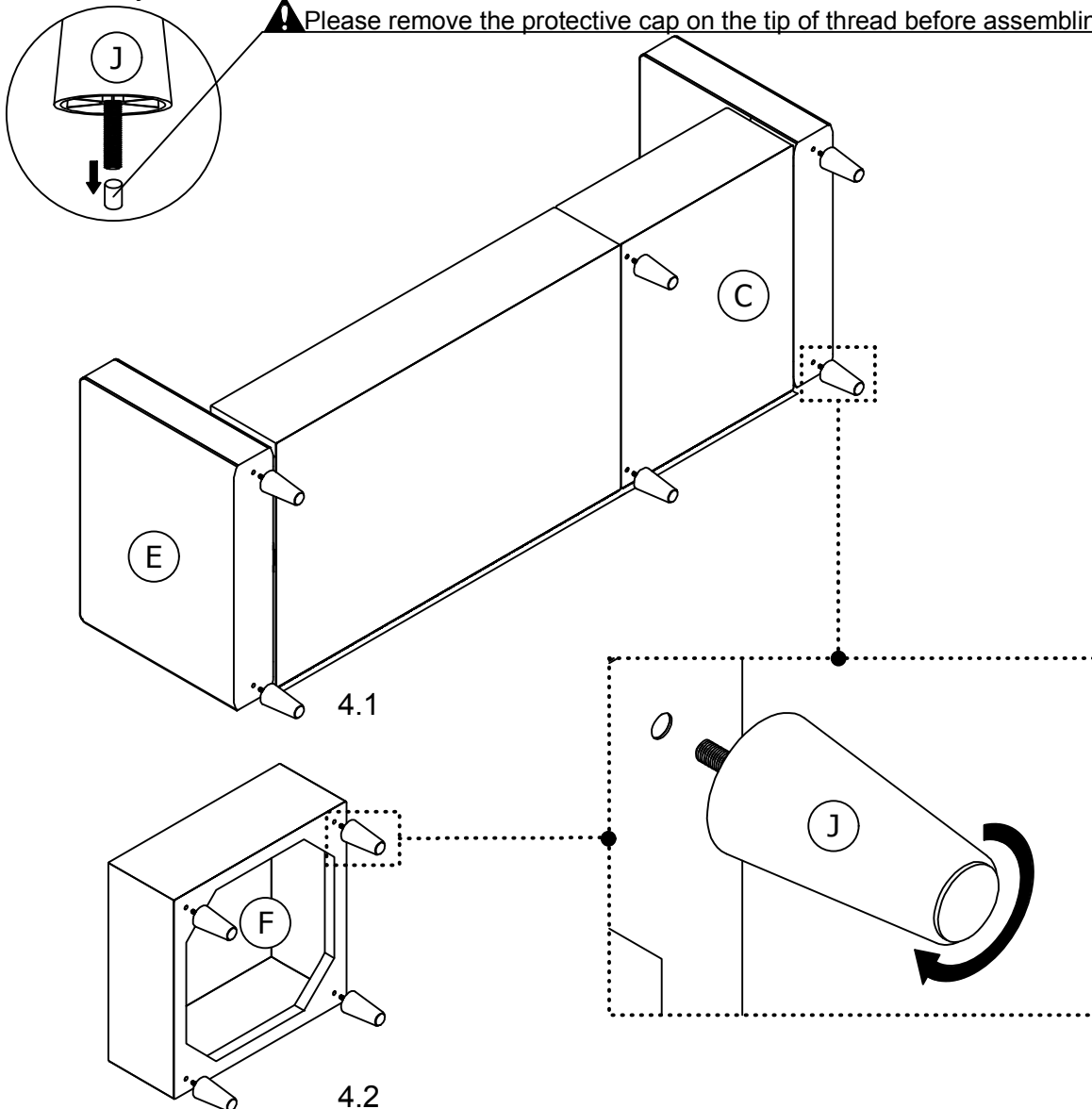


Step 4:

4.1 Manually screw **J** x 6 to **C** & **E**.

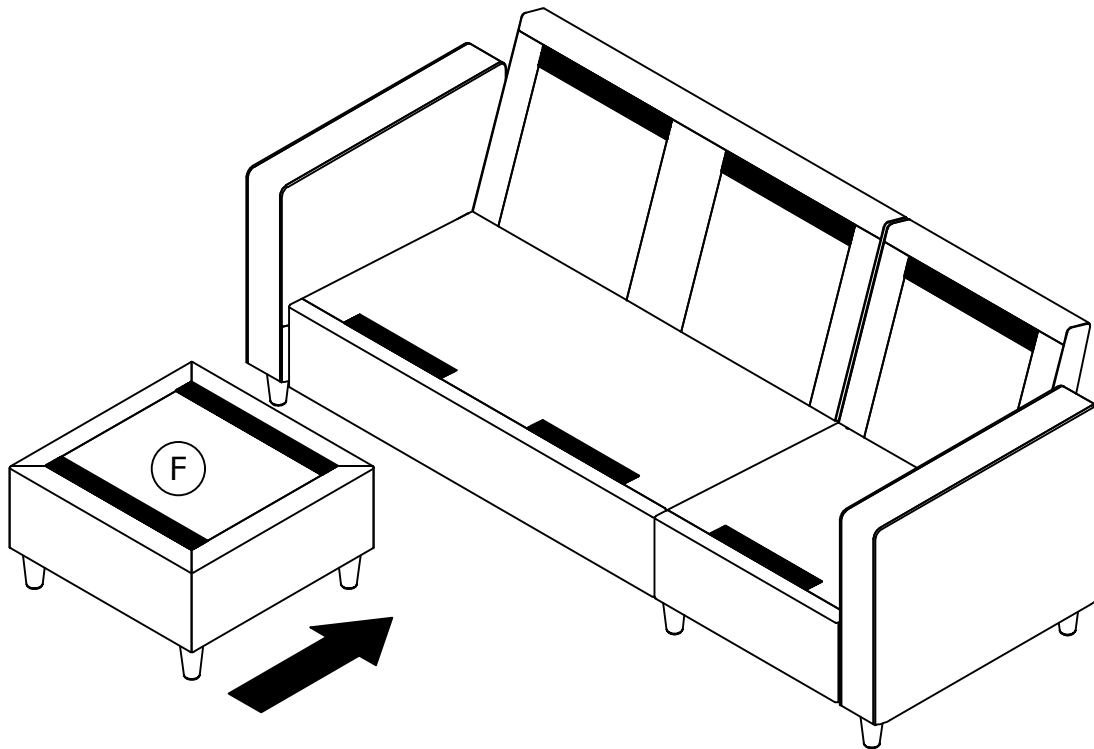
4.2 Manually screw **J** x 4 to **F**, as shown.

 Please remove the protective cap on the tip of thread before assembling.



STEP 5:

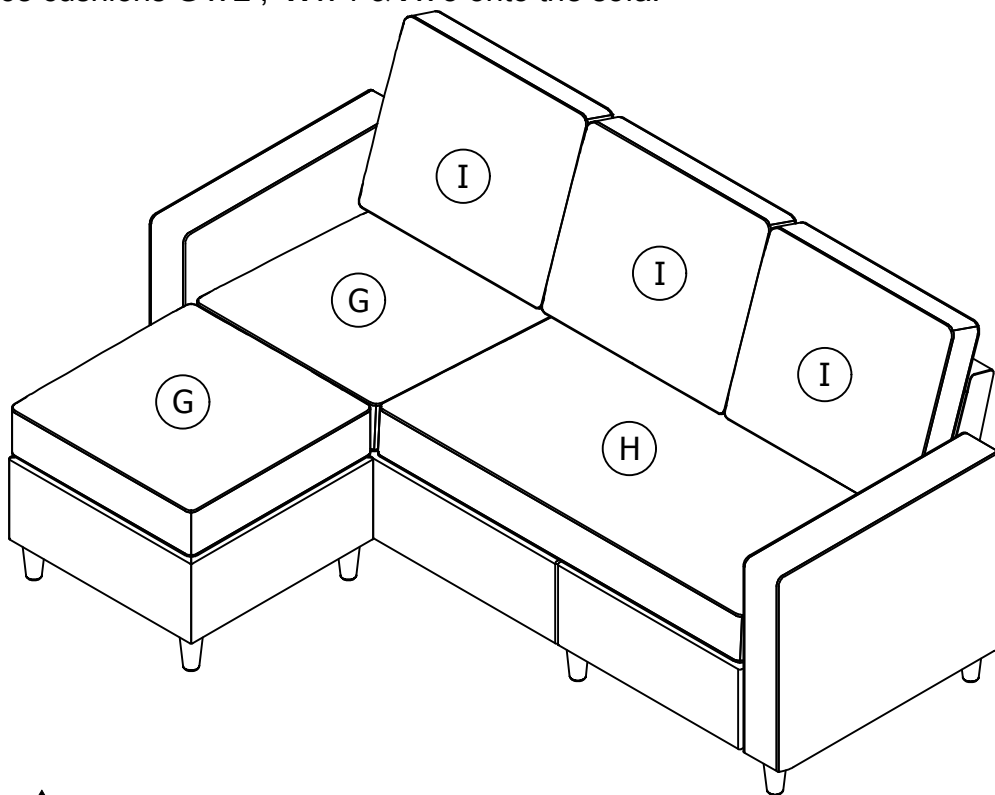
Place Chaise Base **F** in front of the assembled sofa.



⚠ Note: Chaise Base **F** can be placed on either the left or right side of the sofa main body.

STEP 6:

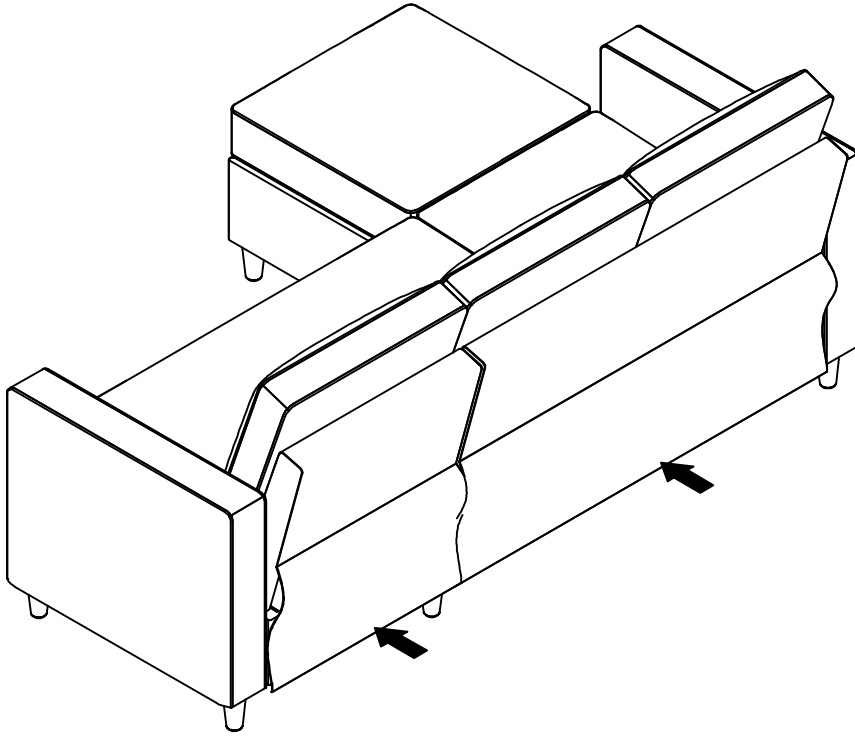
Remove the cushions from their vacuum sealed package.
Place cushions **G** x 2 , **H** x 1 & **I** x 3 onto the sofa.



⚠ Note: The cushions have been vacuum packed for transportation purposes. After unpacking, please allow up to 72 hours so that they can return to their original shape.

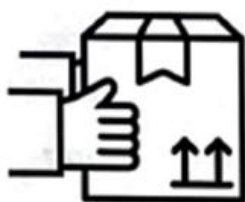
STEP 7:

Stick fabric cover on **B & D** to **A & C** with Velcro, as shown.



Warning

Do NOT sit on the armrests.



Lift, don't drag. This protects your floor and product.



Avoid loose screws. Tighten fixtures every few months.

After Care Tips

We hope you enjoy your new piece of furniture. Correct maintenance will increase its durability and keep it looking beautiful for longer. Here's some useful tips as a guide.

1. Furniture should be assembled according to our guide. If you require assistance, please contact customer service.
2. Store furniture in dry, ventilated rooms on tough flooring.
3. Plump cushions with your hands to restore its shape after transportation.
4. Keep furniture away from radiators, air conditioners and extreme temperatures – at least 30cm distance.
5. Protect your furniture from being in direct sunlight, which can discolour fabric.
6. We recommend dispersing weight evenly across the seat, rather than repeatedly sitting in the same spot.
7. Don't jump or apply sudden force to furniture. This may damage the frame or suspension.
8. When moving furniture from one place to another, lift don't drag.
9. Do not sit on the armrests as this can cause deformities or rupture the seams.
10. Take caution with pets around furniture. Their claws and teeth may cause damage.
11. Avoid using cleaning products containing harsh chemicals or oil dissolving solvents.
12. Vacuum crevices regularly to prevent dust build up.

Important Points

1. Moisture

We recommend keeping furniture in an environment with 45-60% relative moisture and between 10-25°C

2. Sunlight

Keep furniture out of direct sunlight

3. Wear and Tear

Through regular use, the surface of fabric can change. Furniture tends to soften after the first few months of use. This is a normal, parts of the furniture that are sat on more frequently will become softer than others.

4. Storage

Ensure your furniture stands on an even surface to ensure stability and prevent creaking and damage.

5. Clothing

Jeans and other dark clothing may leave stains or marks on furniture. Take extra care when wearing clothing that is new or not pre-washed.

After Care Tips

Now you have installed your beautiful new velvet fabric sofa, here are some top tips to keep it looking fresh

Velvet sofas are like vampires. They're not fans of sunlight.

So, when finding a spot for your furniture, try to keep it away from direct sunlight and away from radiators and other sources of heat. As it'll cause the colour to fade.

Treat your sofa like your teeth-always brush regularly.

Velvet can be prone to marking caused by pressure in transit, when new or after a while of use. Most marks can be removed by smoothing the velvet with a soft brush and/or a gentle steaming. You should brush your sofa once a week. For the best results always brush in the direction of the pile.

Cushions: Avoid saggy bottoms.

Practice your plumping up skills on your cushions regularly to keep them in tip-top shape, turn them to keep the padding nice and even. Oh, and remember bums on seats! Perching on the edge of your seat, while necessary when watching a nail-biting thriller, will cause your cushions to lose shape over time.

Skills to clean up your spills

Accidents happen. Kids, pets or clumsy friends & family will inevitably drop something on your sofa. So, remember these simple rule

1. Catch the spill in time and act immediately
2. Grab some paper towels or an absorbent cloth and place it on the stain immediately
3. Work the stain from the outside in as this will help stop the spread
4. Let the sofa air dry. Once completely dry use a vacuum to clean the surface then brush in the direction of the pile so the spot blends in with the rest of your sofa