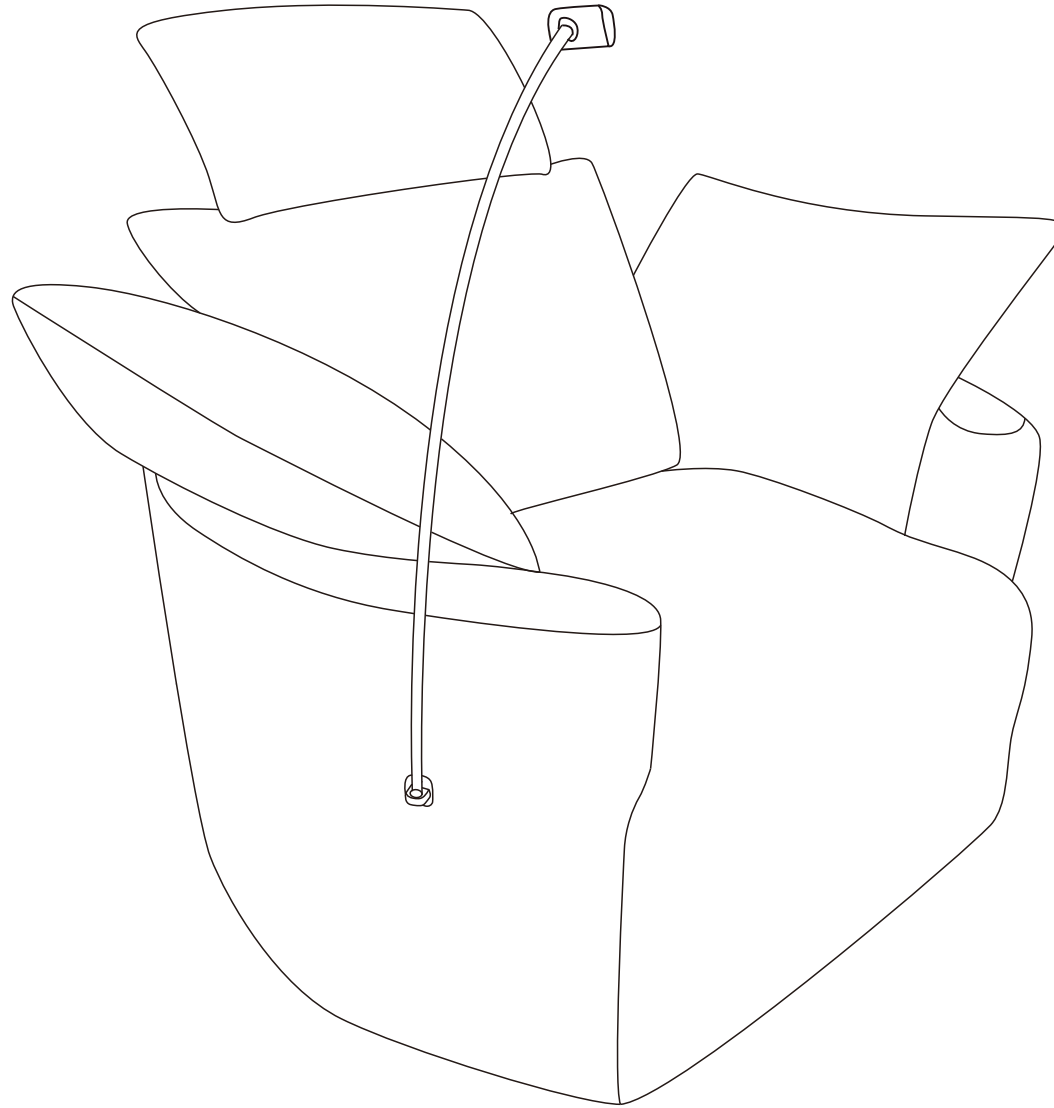


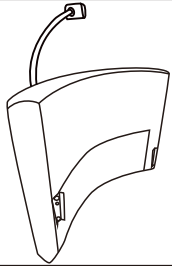
Glider Recliner



Parts List

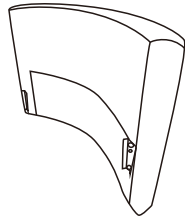
Box A

B



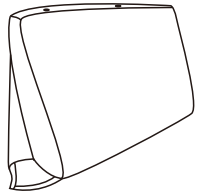
X1

C



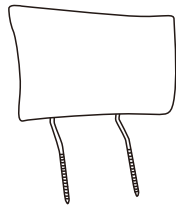
X1

D



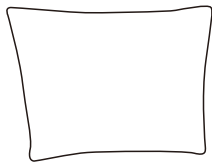
X1

E



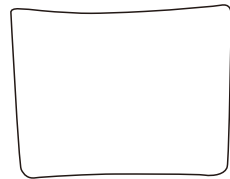
X1

F



X1

G



X2

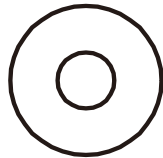
①



M6X60MM

2PCS

②



2PCS

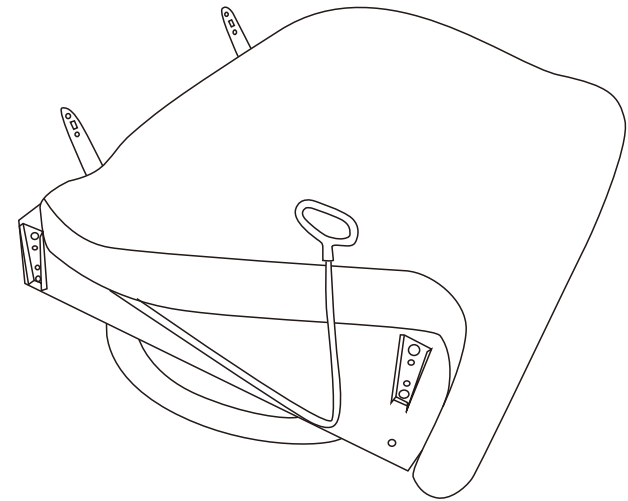
③



X1

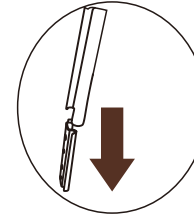
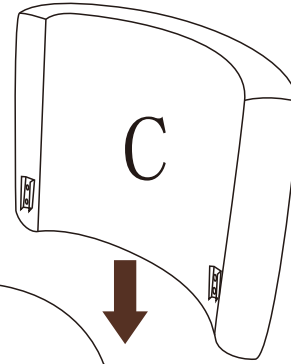
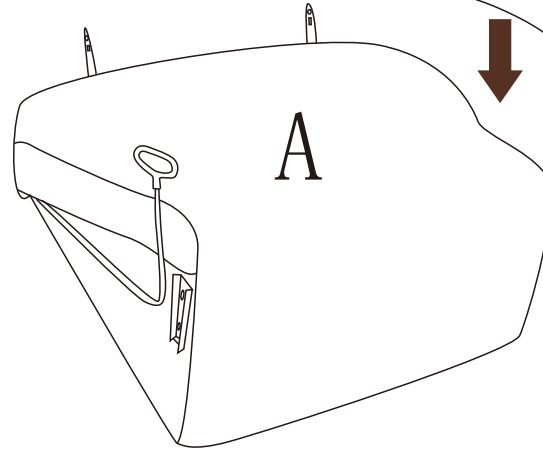
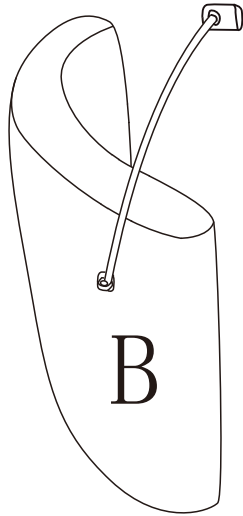
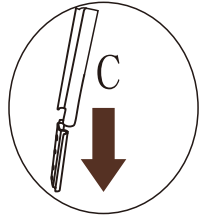
Box B

A



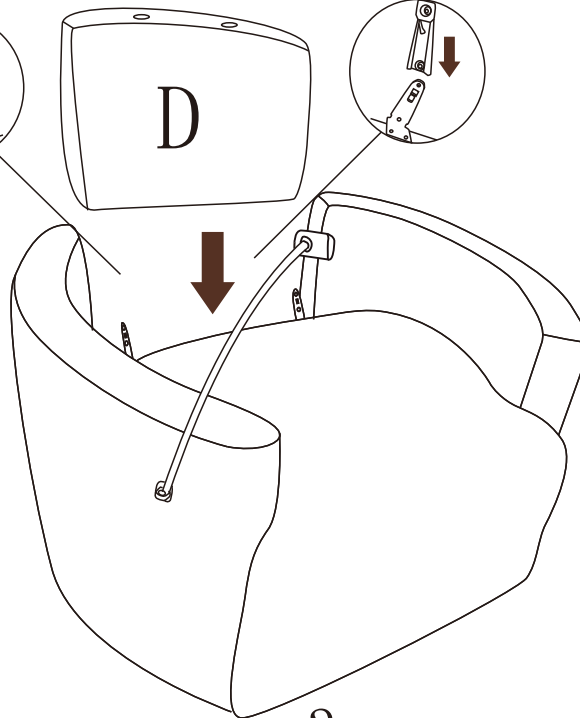
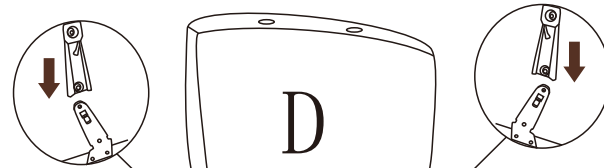
X1

1 Step1:



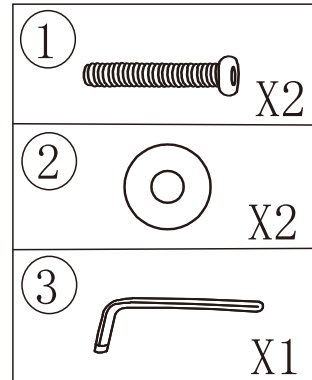
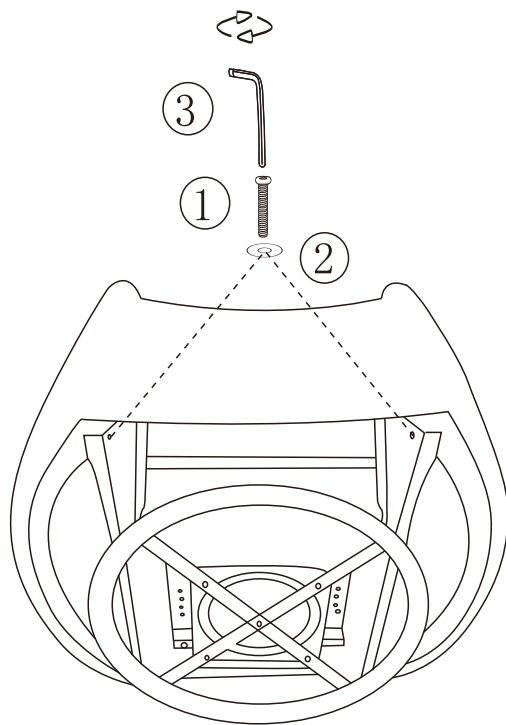
A		X1
B		X1
C		X1

2 Step2:

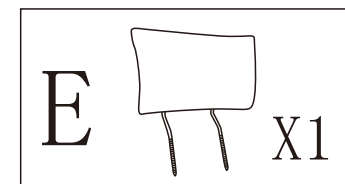
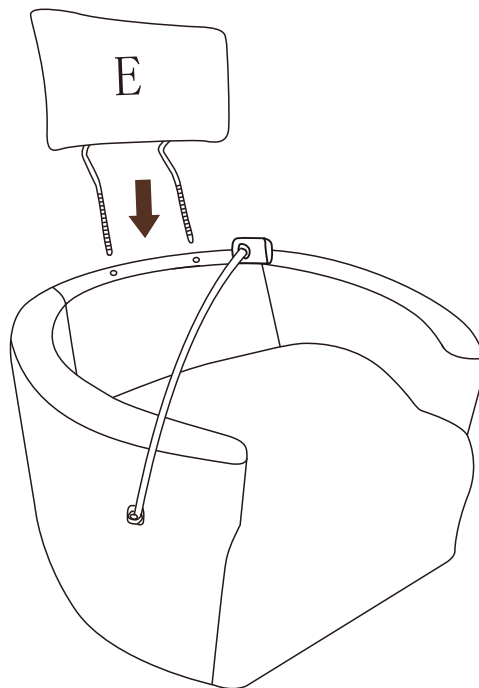


D		X1
---	--	----



3



4



4

F		X1
G		X2

Cut

