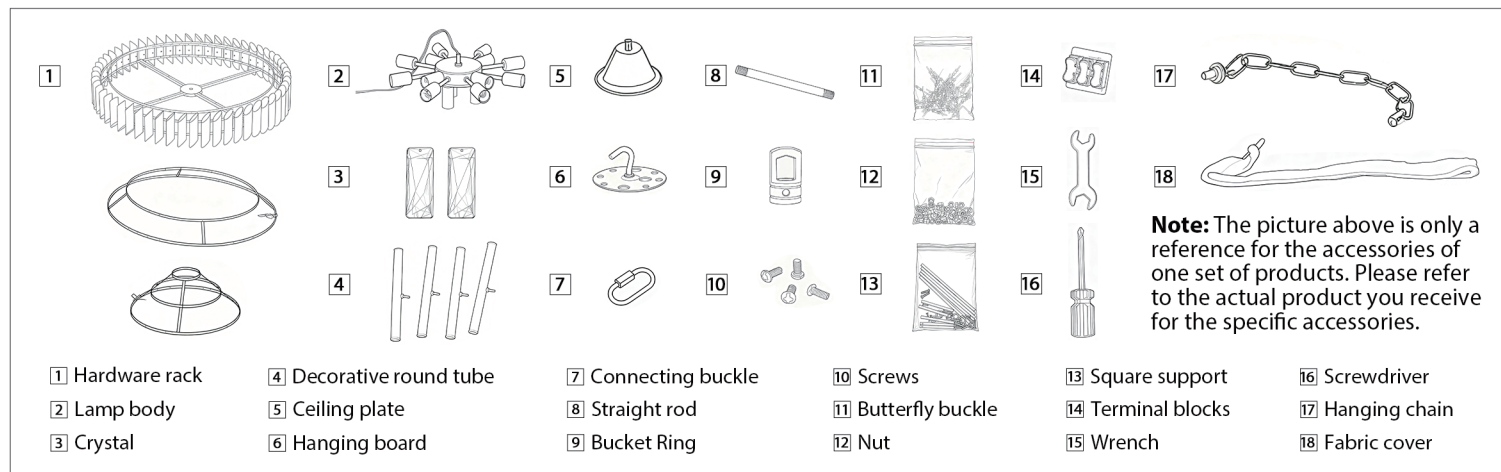
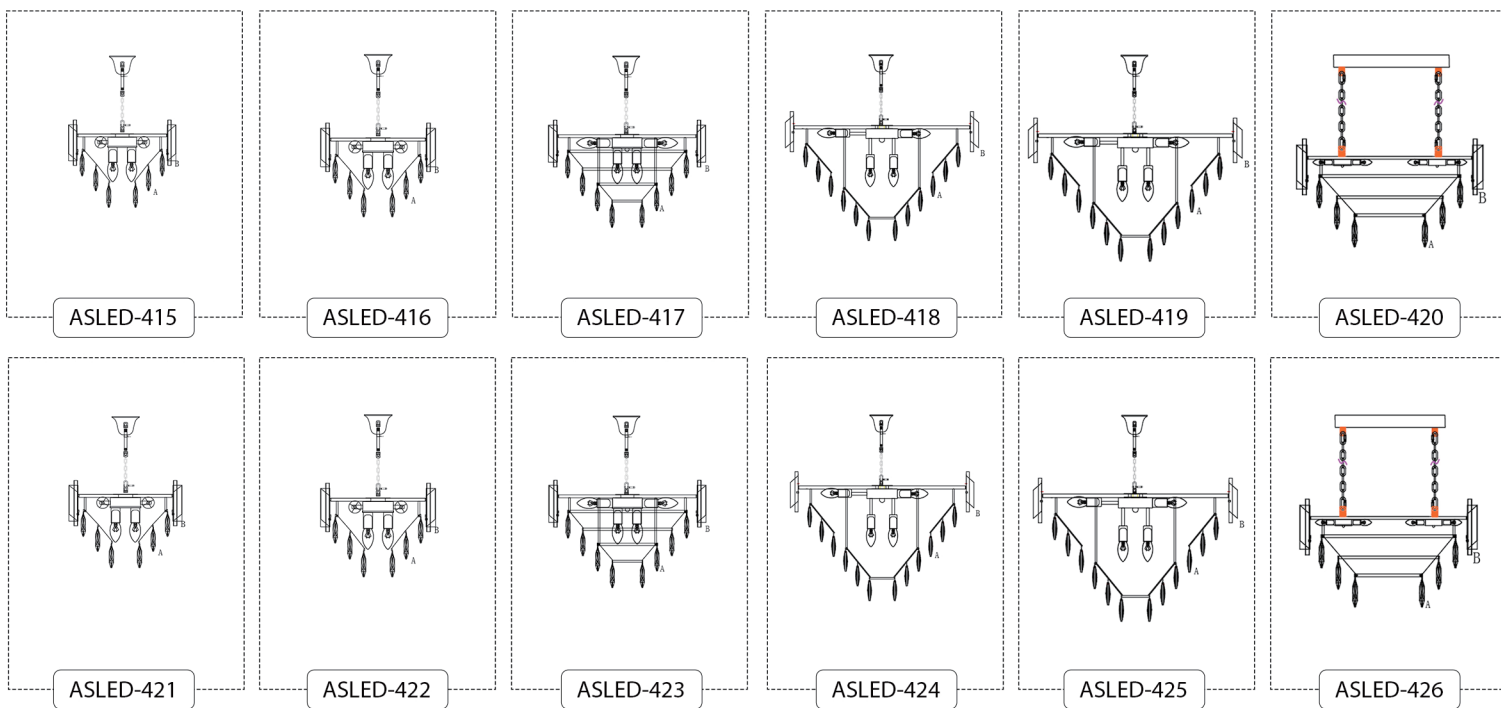


◆ Packing List



◆ WARNING & Safety Rules

READ INSTRUCTIONS CAREFULLY BEFORE INSTALLING. KEEP THIS INSTRUCTIONS FOR FUTURE REFERENCE.

Fixtures must be wired in accordance with the National electrical code and all applicable local codes. Proper grounding is required for safety.

THIS PRODUCT MUST BE INSTALLED IN ACCORDANCE WITH THE APPLICABLE INSTALLATION CODE BY A QUALIFIED ELECTRICIAN WHO IS FAMILIAR WITH THE CONSTRUCTION AND OPERATION OF THE PRODUCT AND THE HAZARDS INVOLVED.

WARNING:

Risk of fire or electric shock. High bay Light installation requires knowledge of luminaires and electrical systems. If not qualified, DO NOT try to install.

Please contact an electrician.

Risk of fire or electric shock. Suitable for wet locations. Make sure the power is off permier to install.

Risk of fire or electric shock. Suitable for non-insulated surface and frame. DO NOT cover fixture with insulation liner or similar material.

You can help protect the environment!

Please remember to respect the local regulations: hand in the non-working electrical equipments to an appropriate waste disposal centre. The packaging material is recyclable. Dispose of the packaging in an environmentally friendly manner and make it available for the recyclable material collection-service.



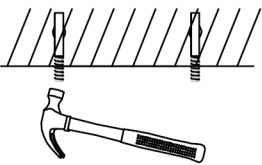
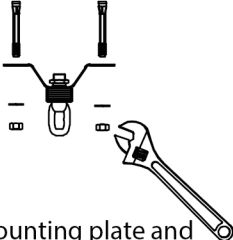
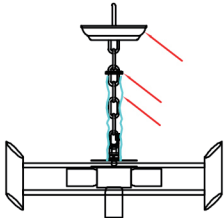
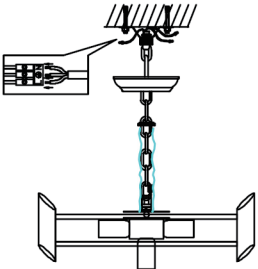
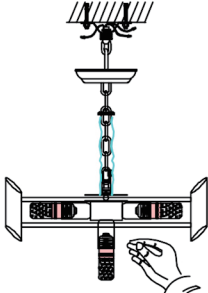
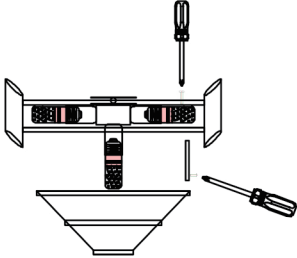
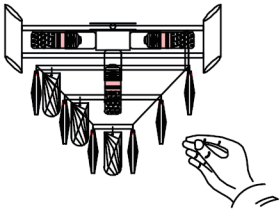
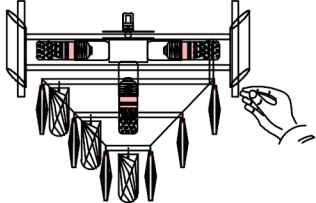
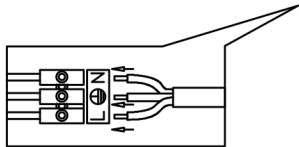
WARNING
RISK OF FIRE, ELECTRIC SHOCK OR PERSONAL INJURY

Before installation, turn power off.

The external flexible cable or cord of this luminaire cannot be replaced; if the cord is damaged, the luminaire shall be destroyed.

Note: This product does not include a battery.

◆ Installation Steps

<p>1</p>  <p>Drill holes in the ceiling according to the mounting plate positions and tighten the expansion bolts.</p>	<p>2</p>  <p>Install the mounting plate and tighten the screws.</p>	<p>3</p>  <p>After fastening the chain, put on the fabric cover, slip on the ring, and then slip on the ceiling plate.</p>
<p>4</p>  <p>Hang the light fixture, thread the power cord through the mounting plate, and connect the power cord.</p>	<p>5</p>  <p>Install the light source and test its brightness.</p>	<p>6</p>  <p>Install square support and bottom hardware frame</p>
<p>7</p>  <p>Use the buttons to attach the bottom crystal from the inside out.</p>	<p>8</p>  <p>Install the round bar.</p>	<p>9</p>  <p>Figure 4 Wiring diagram</p>

◆ Product Parameters

Product Model	Input Voltage (V)	Frequency (Hz)	Single Power (W)	Total Power (W)	Lamp Base	Dimensions (cm)	Weight (kg)	ta(°C)	IP	Class
ASLED-415	100-240V	50/60Hz	Max.25W	Max.125W	E14*5	D40*H35	6.5	50°C	IP20	Class II
ASLED-416	100-240V	50/60Hz	Max.25W	Max.150W	E14*6	D50*H35	8	50°C	IP20	Class II
ASLED-417	100-240V	50/60Hz	Max.25W	Max.200W	E14*8	D60*H40	10	50°C	IP20	Class II
ASLED-418	100-240V	50/60Hz	Max.25W	Max.375W	E14*15	D80*H55	15	50°C	IP20	Class II
ASLED-419	100-240V	50/60Hz	Max.25W	Max.550W	E14*22	D100*H55	27	50°C	IP20	Class II
ASLED-420	100-240V	50/60Hz	Max.25W	Max.250W	E14*10	L80*W35*H30	14.5	50°C	IP20	Class II
ASLED-421	100-240V	50/60Hz	Max.25W	Max.125W	E14*5	D45*H35	6.5	50°C	IP20	Class II
ASLED-422	100-240V	50/60Hz	Max.25W	Max.150W	E14*6	D50*H35	8	50°C	IP20	Class II
ASLED-423	100-240V	50/60Hz	Max.25W	Max.200W	E14*8	D60*H40	10	50°C	IP20	Class II
ASLED-424	100-240V	50/60Hz	Max.25W	Max.375W	E14*15	D75*H55	15	50°C	IP20	Class II
ASLED-425	100-240V	50/60Hz	Max.25W	Max.550W	E14*22	D95*H55	27	50°C	IP20	Class II
ASLED-426	100-240V	50/60Hz	Max.25W	Max.250W	E14*10	L75*W35*H30	14.5	50°C	IP20	Class II

Manufacturer: Anshan Xupu Trading Co.,Ltd

Address: 46, Floor 4, 128 B, Jiefang East Road Tiedong, Anshan, Liaoning, CN(China)