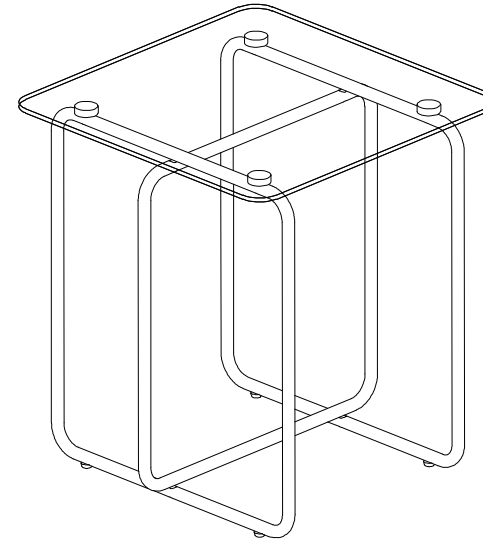


JZQ-ET01 JZQ-ET02

Important

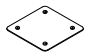
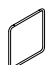

Please inspect all items carefully before assembling.
If for any reason you need to return this item, you must return it in its original packaging.
Assembled items can not be returned.




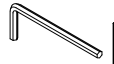


Important Note:

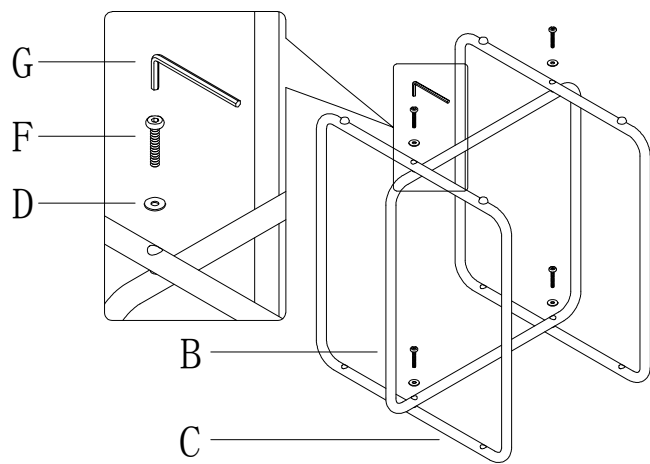
- *Place all parts on a clean and smooth surface such as a rug or carpet to avoid the parts from being scratched.
- *Kindly follow the assembly instruction step by step.
- *Don't tighten all screws until the table is fully set-up.


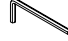

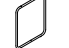

COMPONENTS LIST

A	Top Glass		x1
B	Frame#1		x1
C	Frame#2		x2

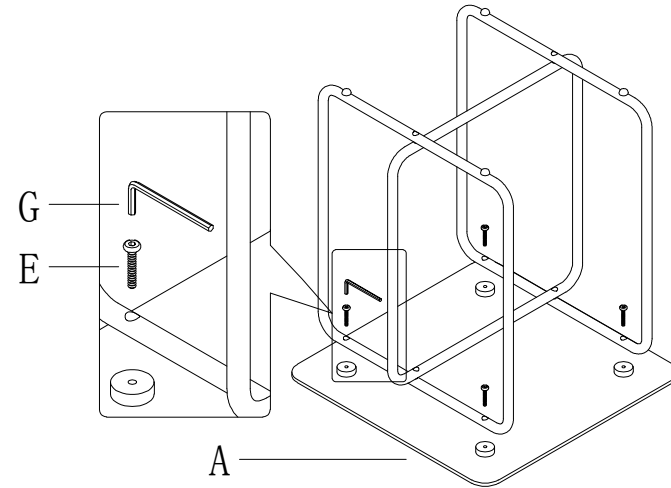
D	Washers		x4
E	Screws#1	M6*20mm 	x4
F	Screws#2	M6*25mm 	x4
G	Allen Key		x1




1



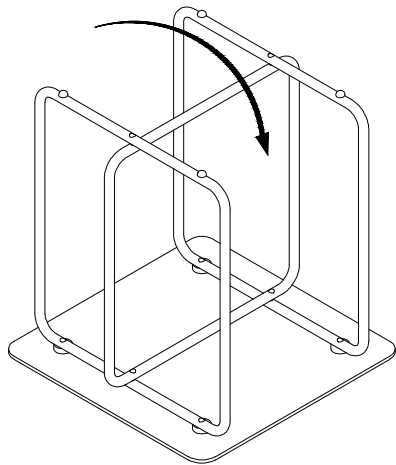
F	Screws#2	M6*25mm		x4	G	Allen Key		x1
B	Frame#1			x1	C	Frame#2		x2
			D	Washers				x4

2

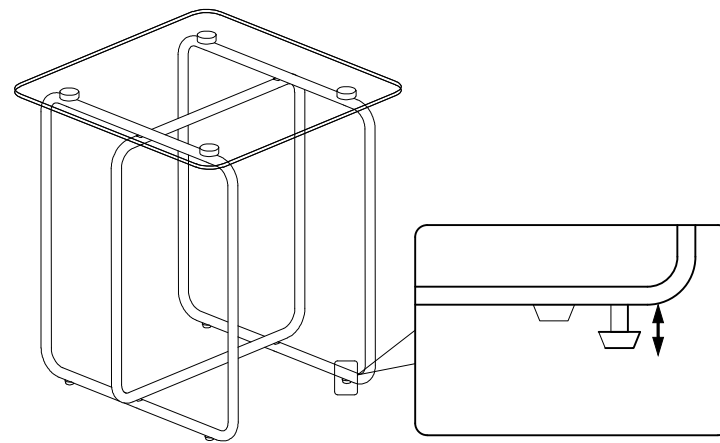


A	Top Glass			x1	E	Screws#2	M6*20mm		x4	G	Allen Key		x1
----------	-----------	---	--	----	----------	----------	---------	---	----	----------	-----------	---	----

3



4



Adjustable foot