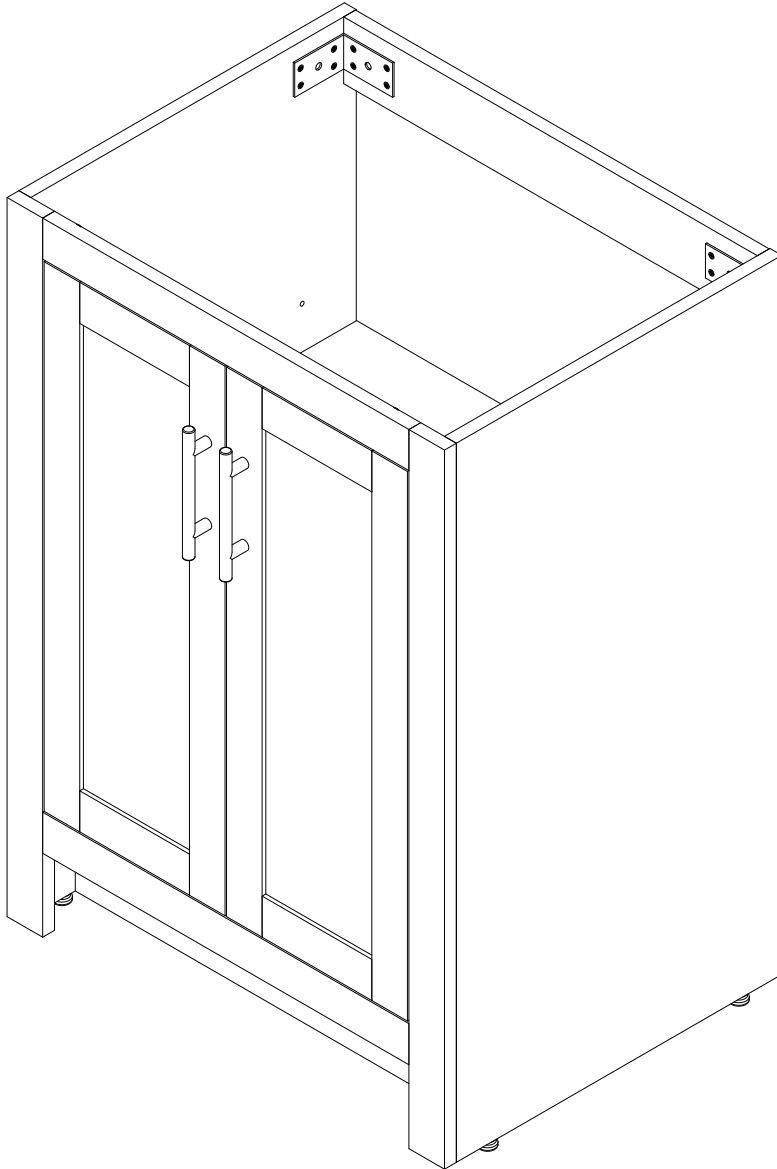


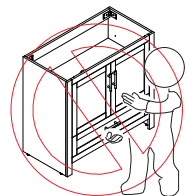
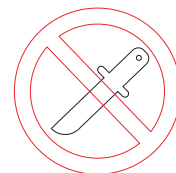
Owner Manual



! **WARNING:** Heavy object. Risk of injury if dropped.

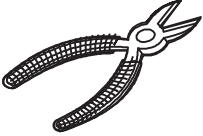
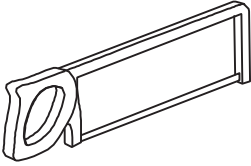
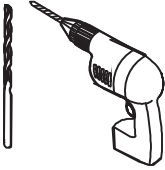
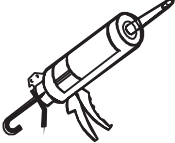
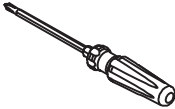
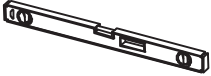
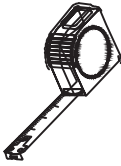

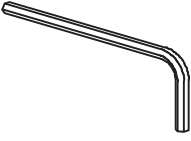

! **CAUTION:** Fragile material. Handle with care to avoid chipping or cracking.

! **NOTICE:** Do not over-tighten screws, as this may crack the cabinet material.



We recommend installation by two or more people.

Tools Required (Required but not included)

		 1/4 inch 5/16 inch 3/8 inch		
Cutting Plier	Hack Saw	Drill	Caulk Gun	Screwdriver
				
Level	Tape Measure	Pencil	Allen Key	Mallet

- Please ensure you have all the necessary tools before starting the installation. Using the wrong tools may damage the product or result in improper installation.

Safety & Pre-Installation

- **Wall Reinforcement:** "For wall-mounted units, ensure the wall is a load-bearing structure. If installing on drywall, internal timber or metal stud reinforcement is mandatory."
- **Check for Utilities:** "Before drilling, verify the location of electrical wires and water pipes behind the wall to avoid damage or injury."
- **Professional Installation:** "It is highly recommended that this product be installed by a licensed plumber or professional contractor."
- **Two-Person Lift:** "Due to the weight and fragility of the vanity/basin, always use two people to lift and move the unit."

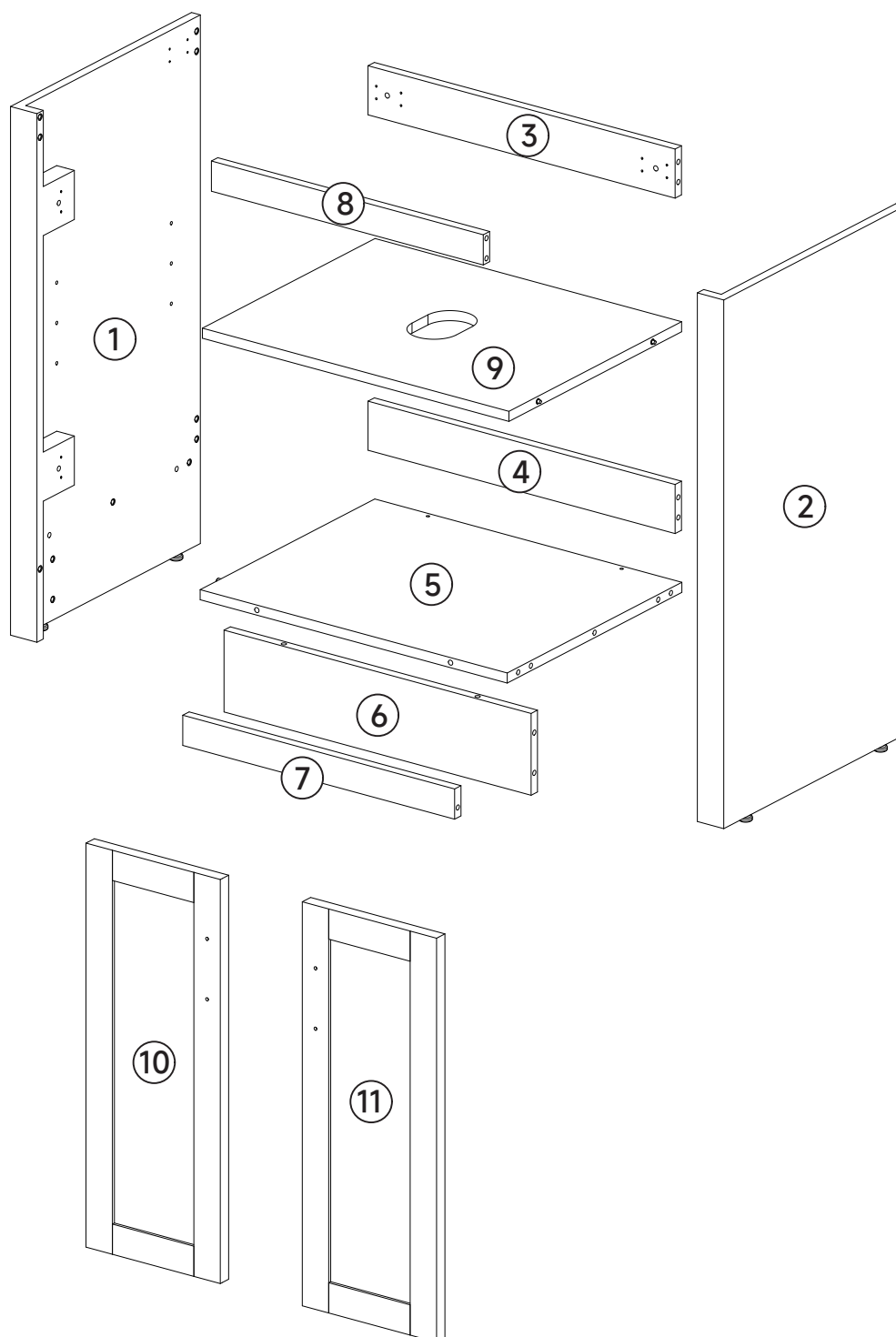
Essential Installation Notes

- **Leveling:** "Ensure the cabinet is perfectly level using a spirit level before securing it to the wall. Uneven installation may cause door misalignment or drainage issues."
- **Silicone Sealing:** "Apply high-quality anti-mold silicone sealant to all edges where the basin meets the cabinet and where the vanity meets the wall."
- **Curing Time:** "Do not use the vanity or allow water contact for at least 24 hours to allow the silicone to fully cure."
- **Hinge Adjustment:** "Cabinet doors and drawer fronts can be fine-tuned via the adjustable hinges to ensure perfect alignment."

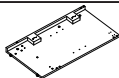
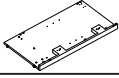


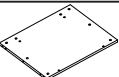



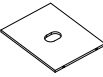



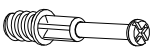


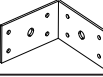

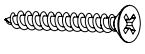

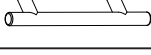



Maintenance & Care

- **Avoid Harsh Chemicals:** "Do not use abrasive cleaners, bleach, or scouring pads on the vanity surface or hardware, as they may damage the finish."
- **Water Exposure:** "While the vanity is moisture-resistant, it is not waterproof. Wipe away any standing water or spills immediately with a dry, soft cloth."
- **Ventilation:** "Maintain adequate ventilation in the bathroom to prevent excessive humidity buildup."

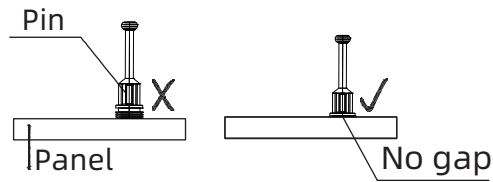
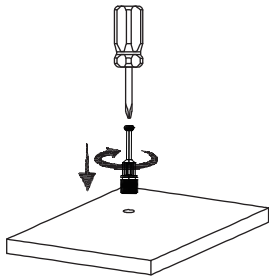
Detailed Diagram of Bathroom Vanity Components





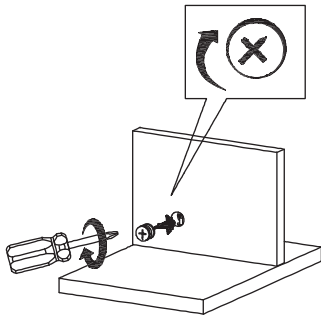
Parts And Hardware Listing

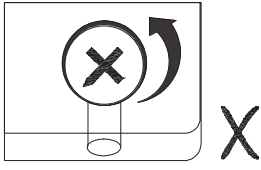
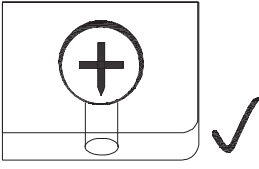
ITEM	NAME	QTY	PICTURE
①	Left side panel	1	
②	Right side panel	1	
③	Top pull bar	1	
④	Pull the bottom bar	1	
⑤	Base plate	1	
⑥	Baseboard	1	
⑦	Lower horizontal beam	1	
⑧	Upper horizontal	1	
⑨	Movable shelves	1	
⑩	Left frame door panel	1	
⑪	Right frame door panel	1	
Ⓐ	Cam Lock	28	
Ⓑ	Cam Bolt	28	
Ⓒ	Wood Dowel	4	
Ⓕ	Door Hinge	4	
Ⓖ	L-shaped Metal Plate	2	
Ⓘ	Handle Screw $\varnothing 4*14\text{mm}$	40	
Ⓙ	Handle Screw $\varnothing 4*30\text{mm}$	2	
Ⓚ	Left Side Panel $\varnothing 4*22\text{mm}$	4	
Ⓜ	Handle 150*33mm	2	
Ⓡ	Sticker	34	
Ⓢ	Hollow Wall Plugs $\varnothing 10*60\text{mm}$	2	
Ⓣ	Fixing Screws $\varnothing 6*80\text{mm}$	2	

CAM BOLT INSTALLATION AS BELOW:


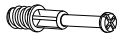


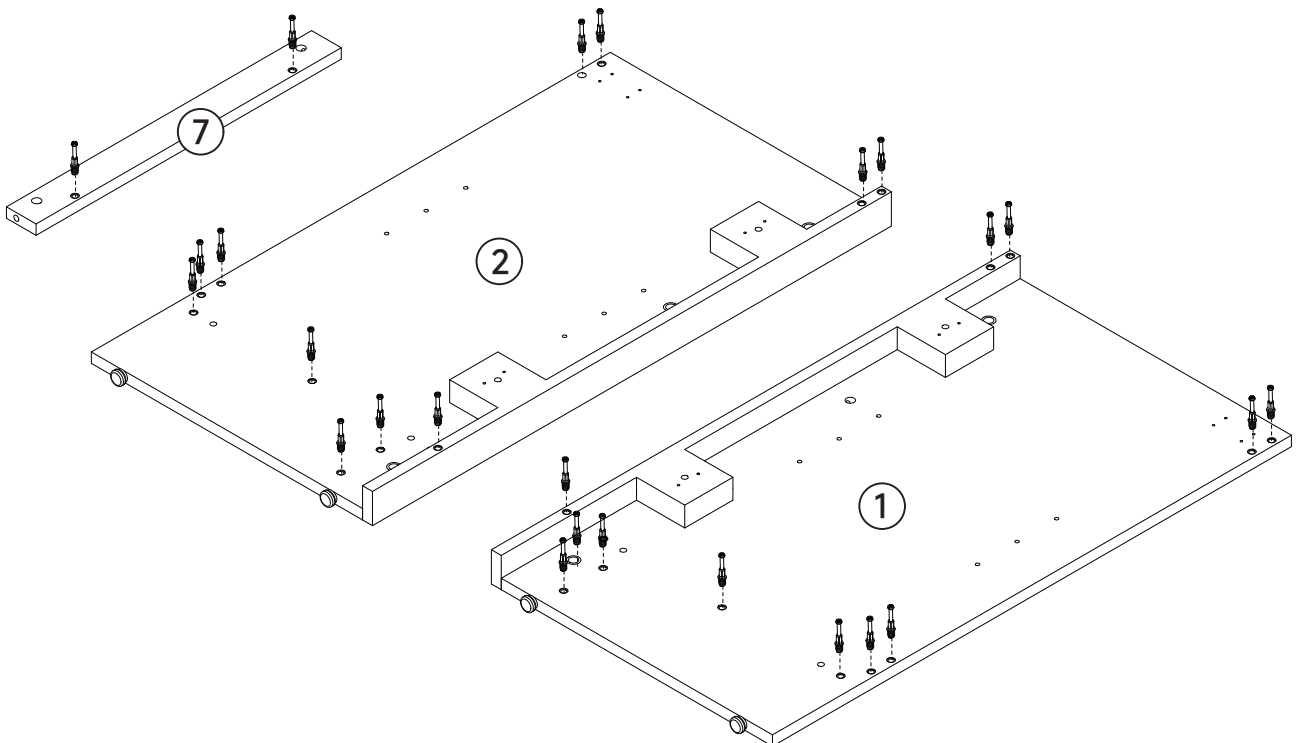
	Cam bolt
	Connecting piece



	
Rotate connecting piece if found in the position illustrated above.	Correct orientation to receive bolts.

STEP 1.

		x26
---	---	-----

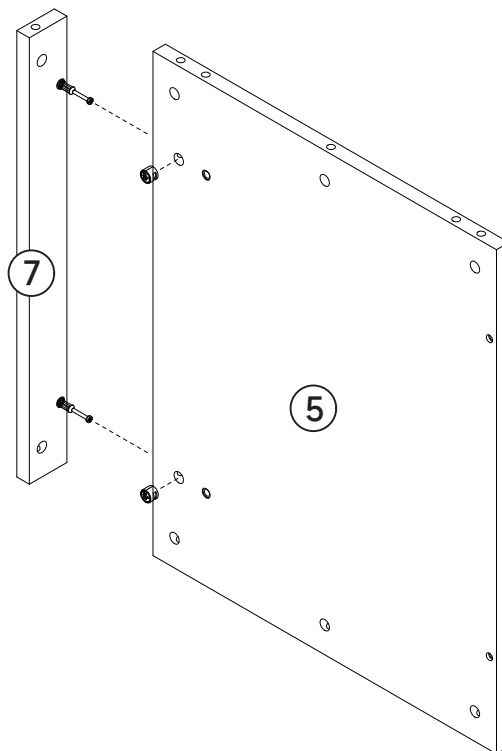
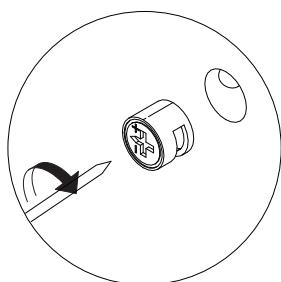


STEP 2.

A

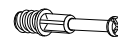


x2

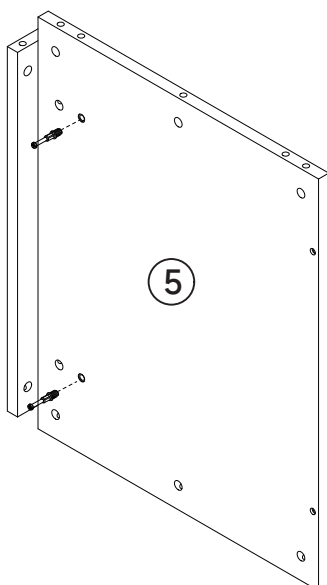


STEP 3.

B



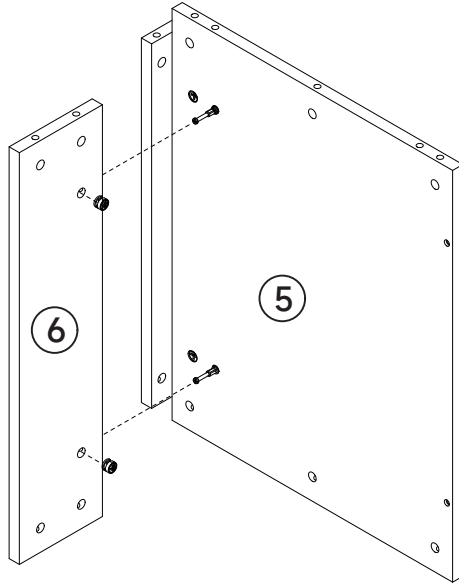
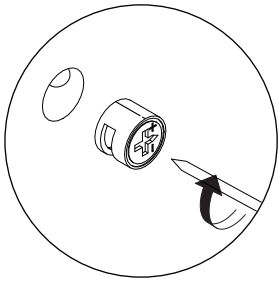
x2




STEP 4.

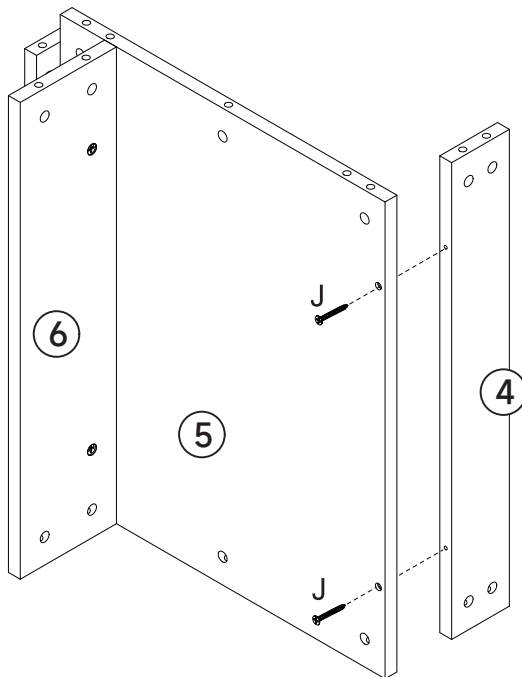
(A)		x2
-----	--	----

(A)		x3
-----	---	----



STEP 5.

(J)		x2
-----	---	----

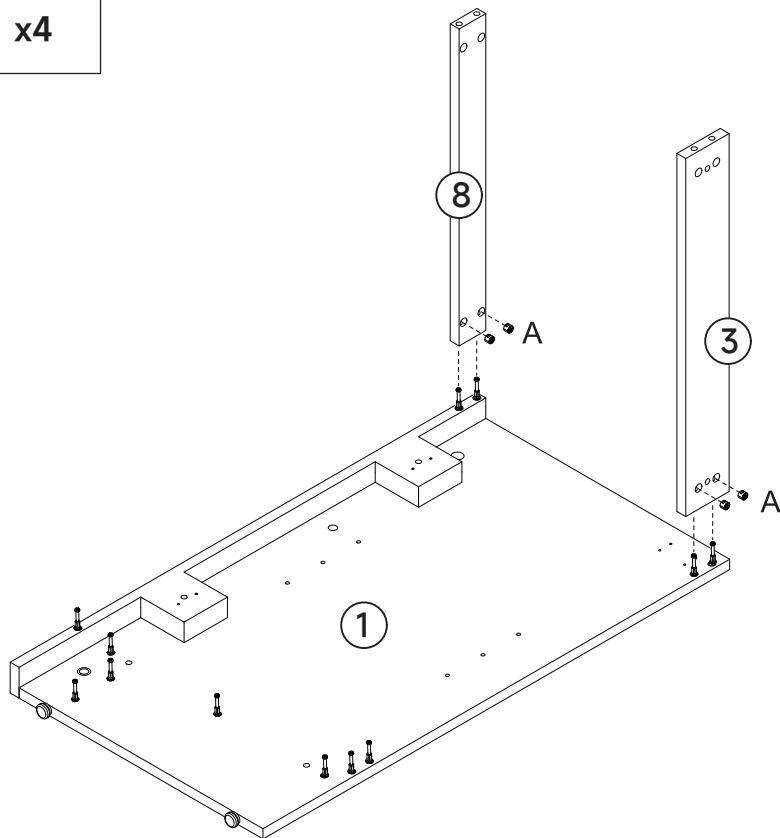


STEP 6.

A



x4



STEP 7.

A

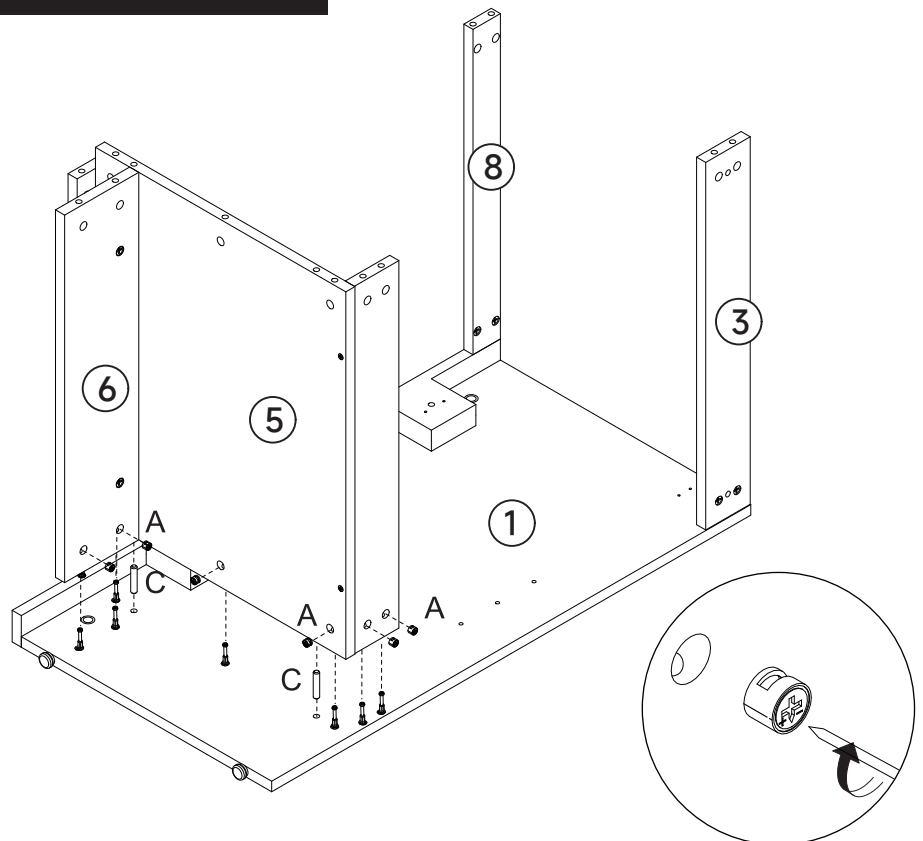


x8



C

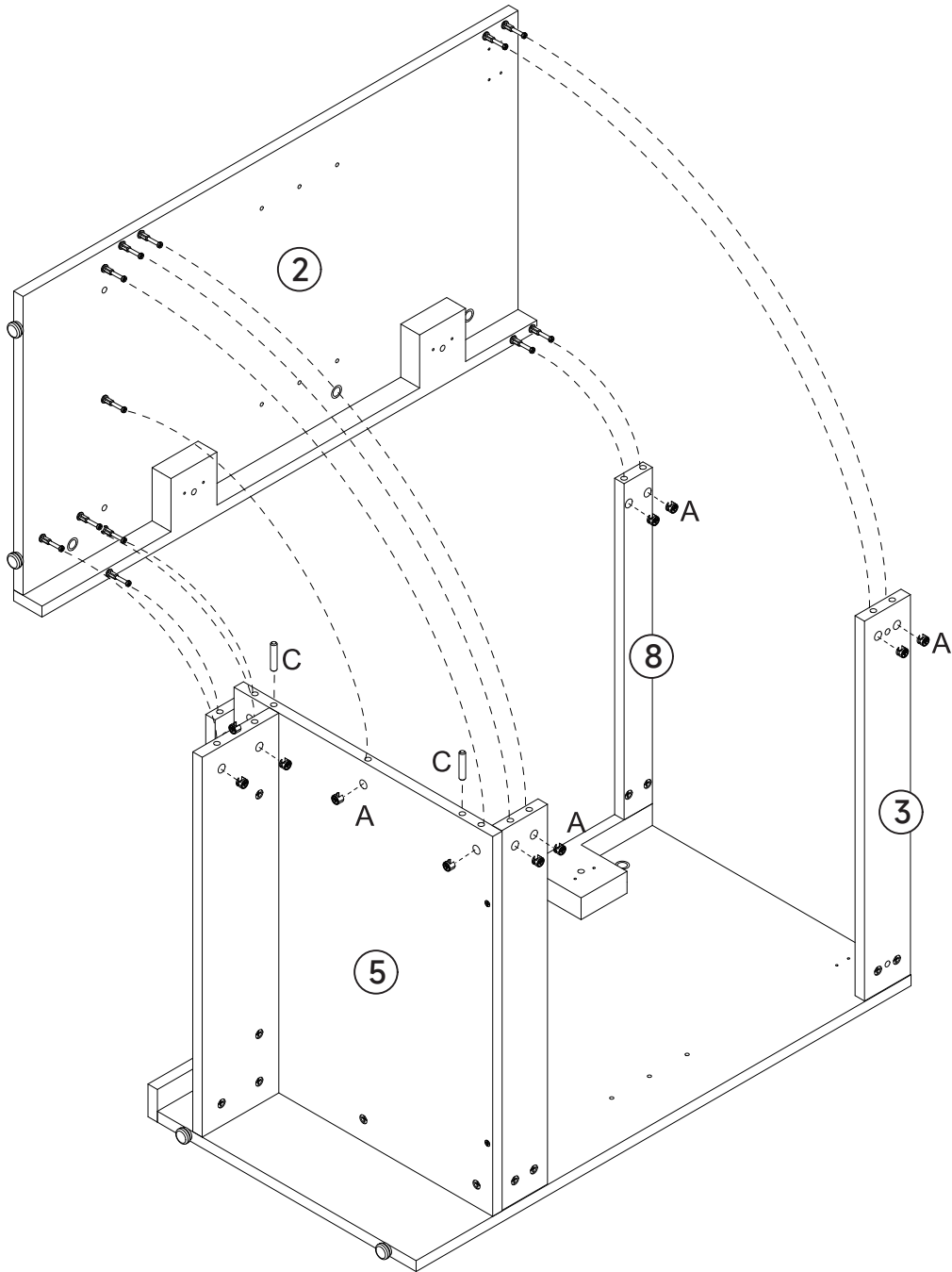


x2

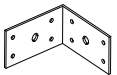



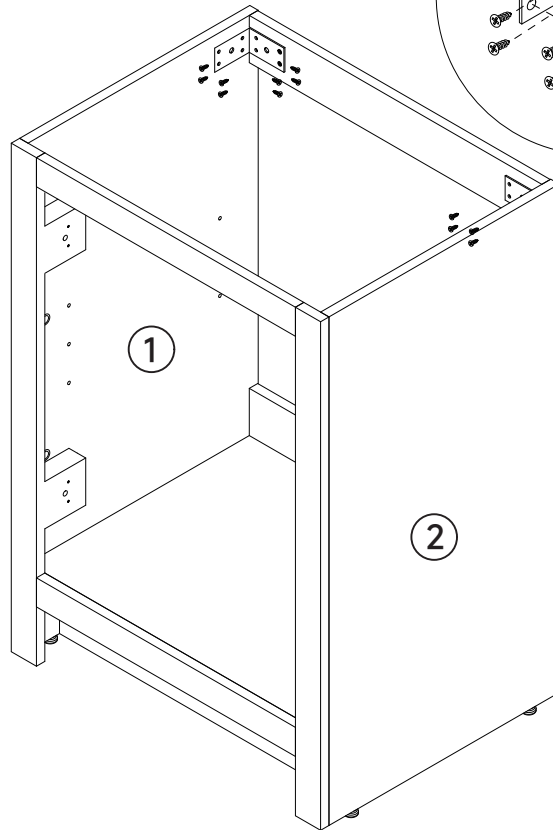
STEP 8.

A		x12
C		x2



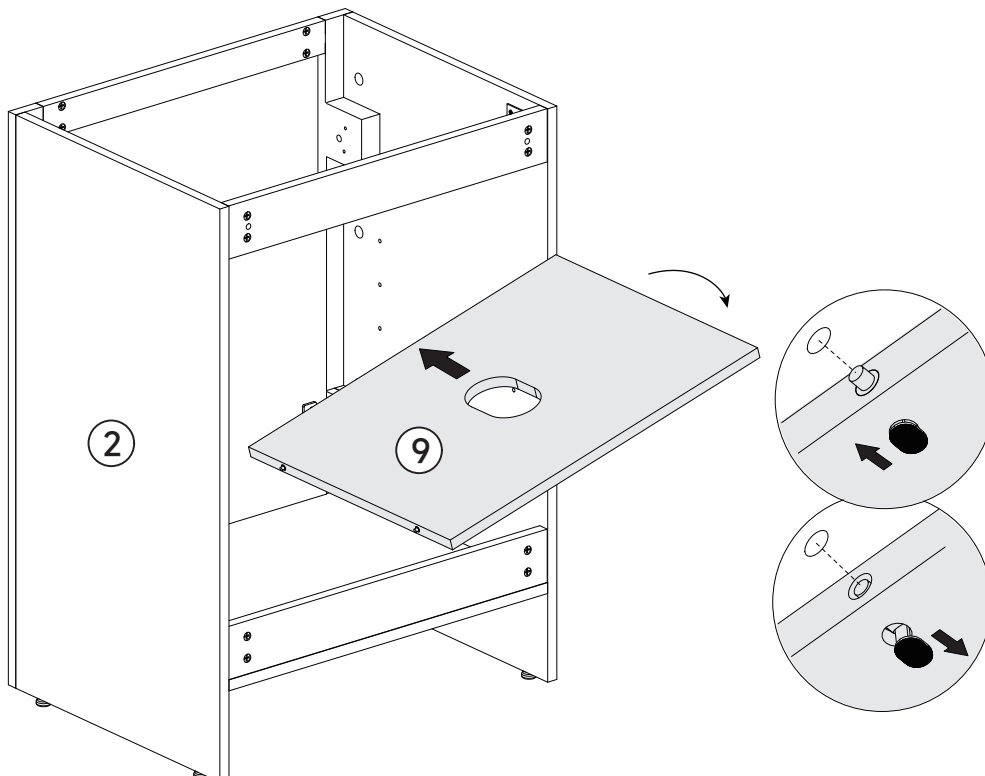
STEP 9.

H		x2
I		x16

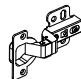



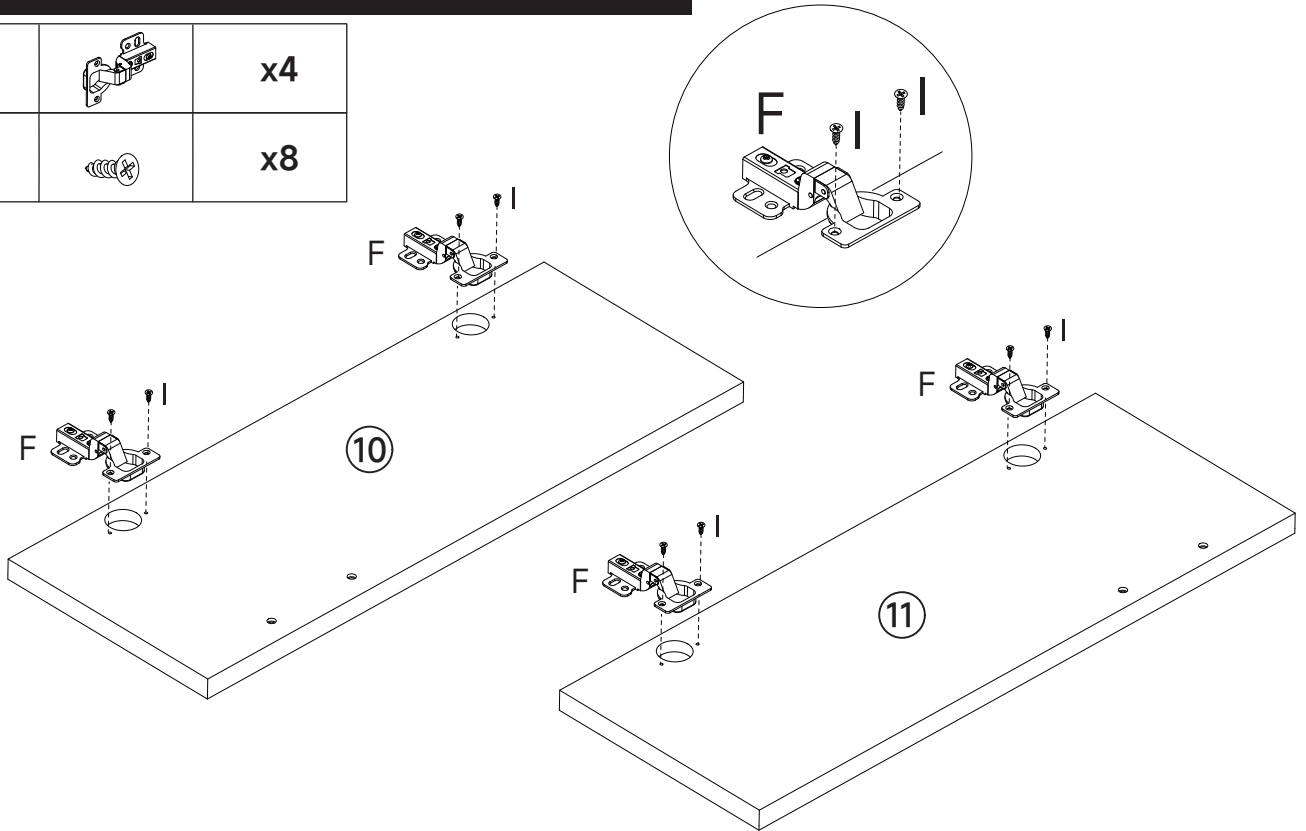
STEP 10.

Three adjustment methods

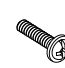
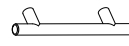


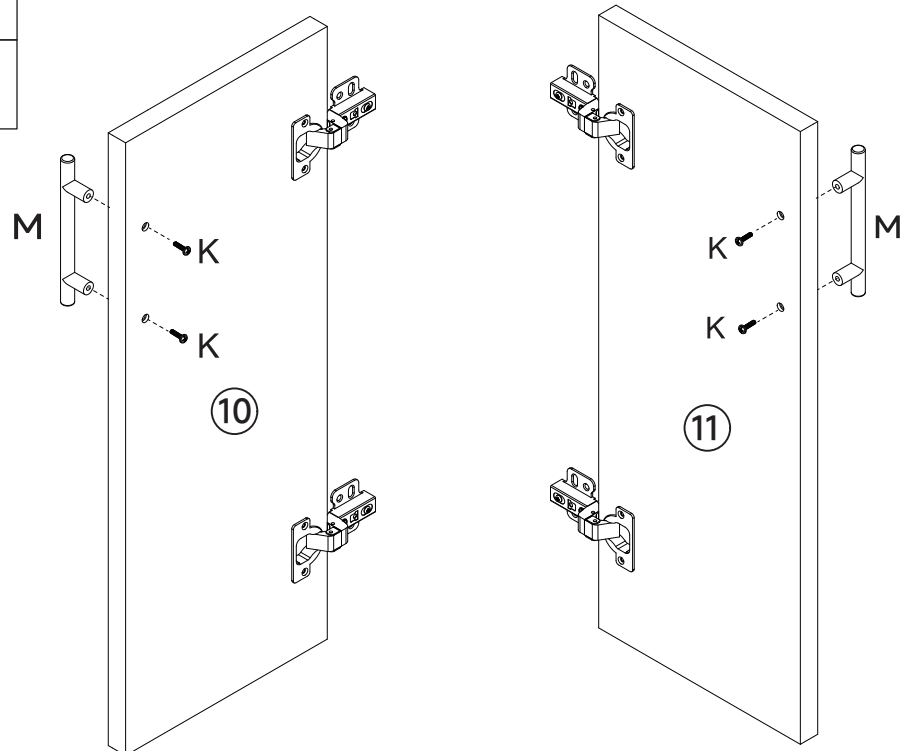
STEP 11.

(D)		x4
(I)		x8



STEP 12.

(K)		x4
(L)		x2

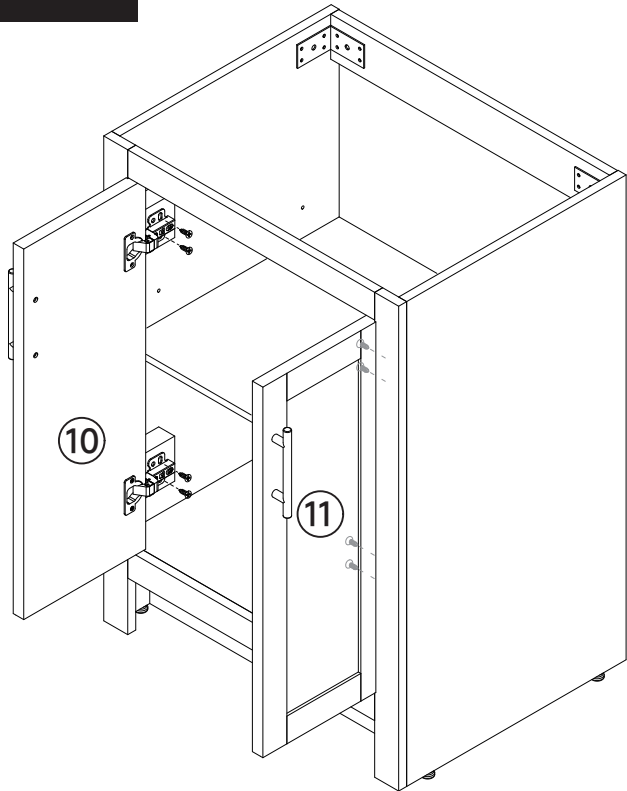
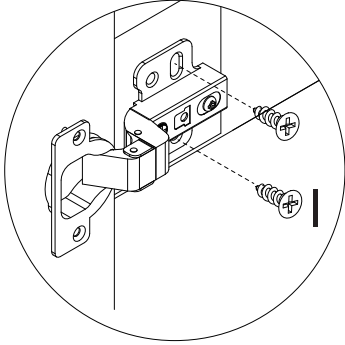


STEP 13.1

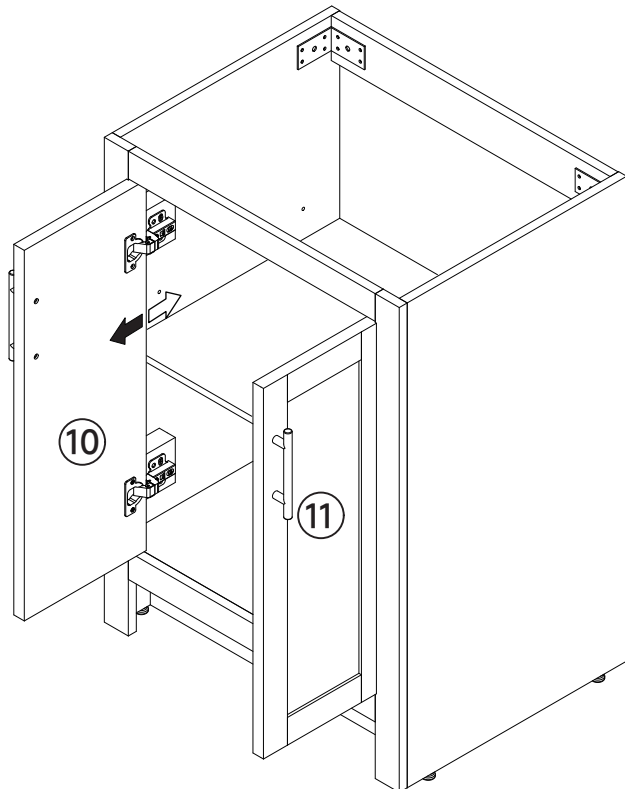
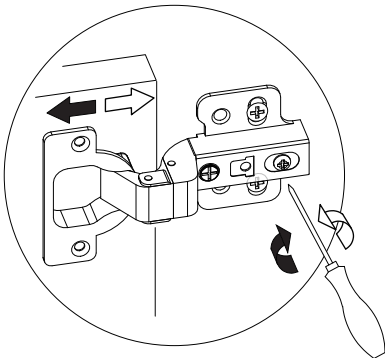
1



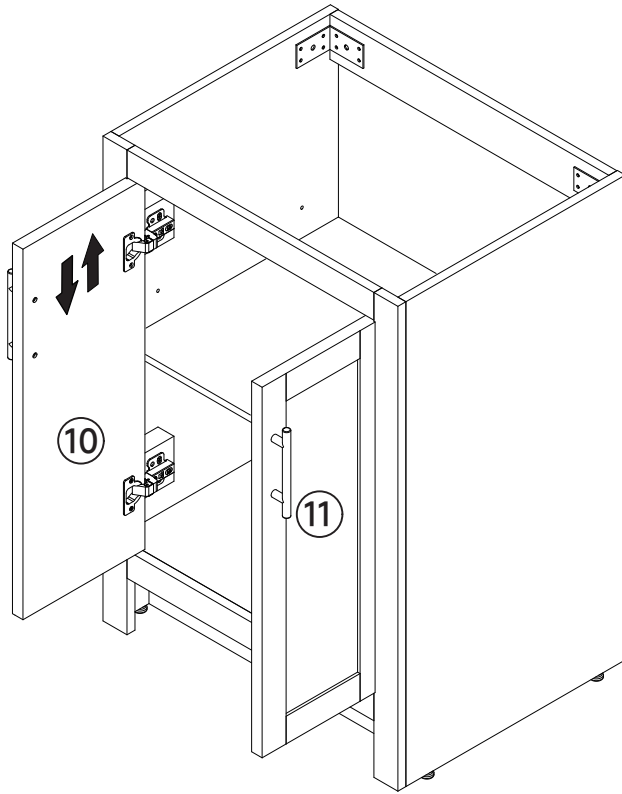
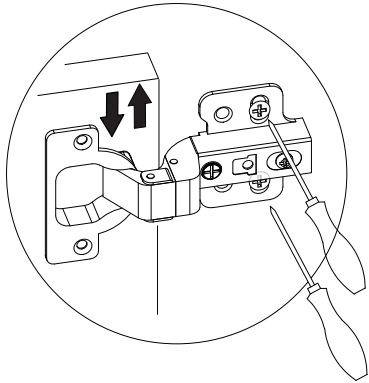
x8



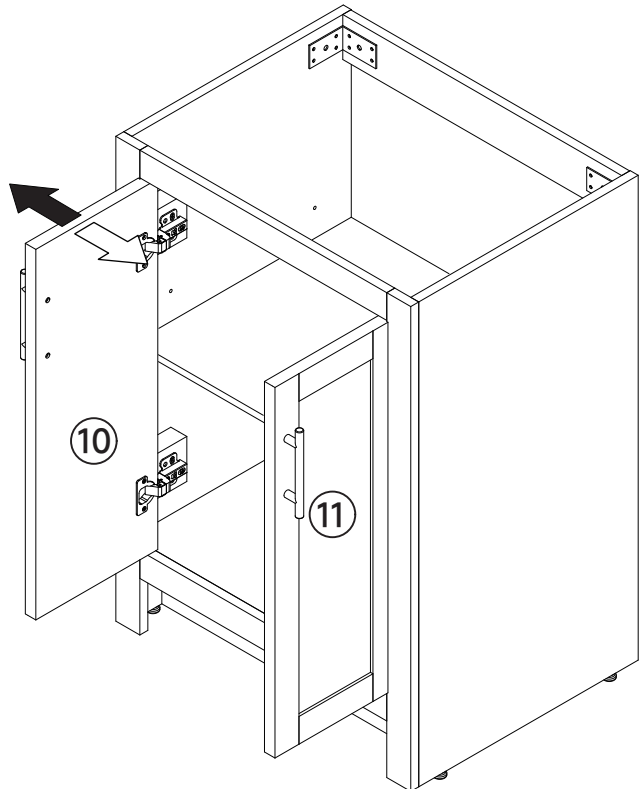
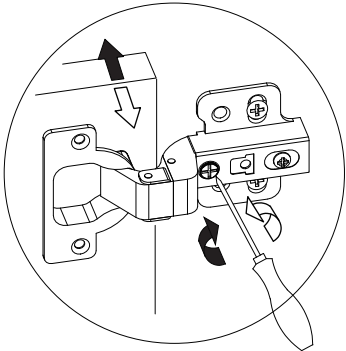
STEP 13.2



STEP 13.3



STEP 13.4

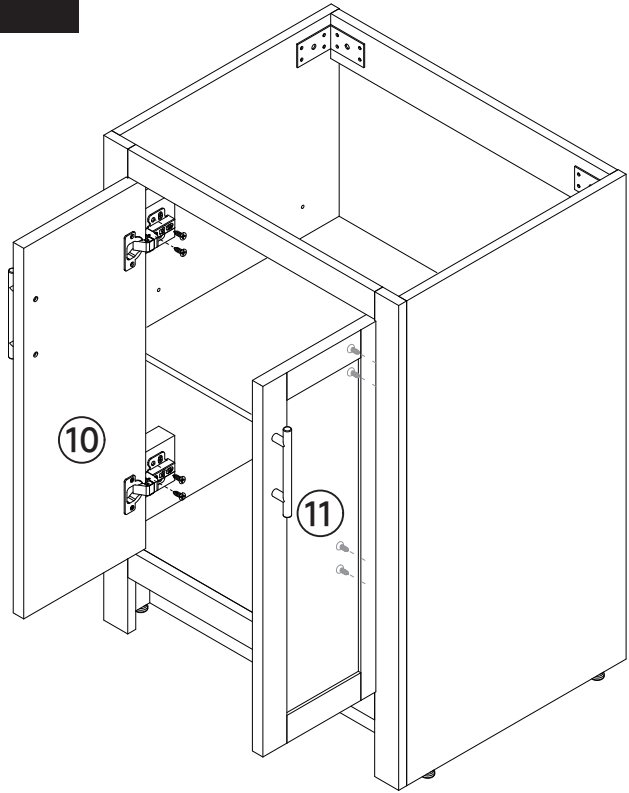
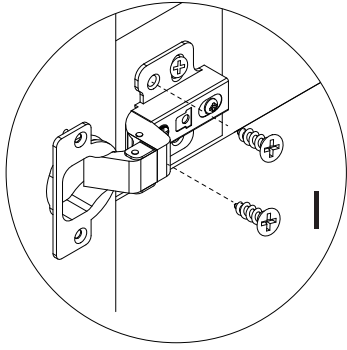


STEP 14.

I



x8

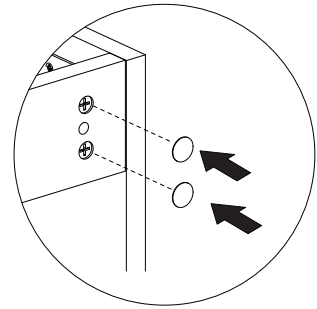
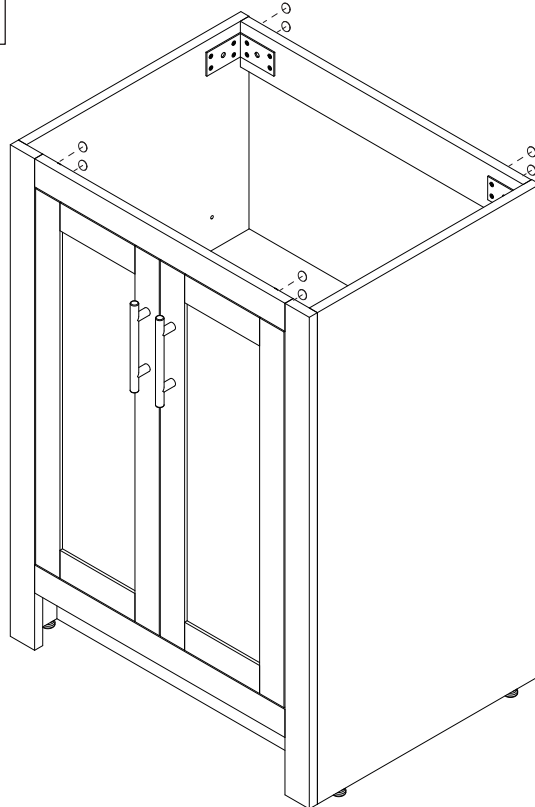


STEP 15.



R

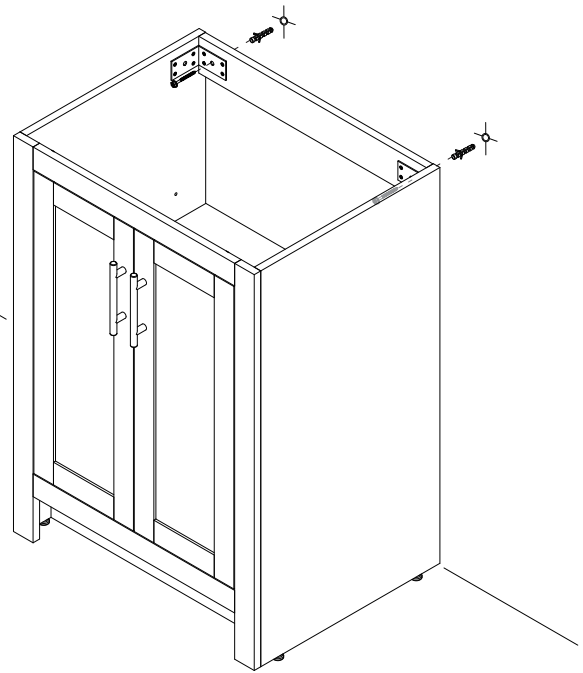
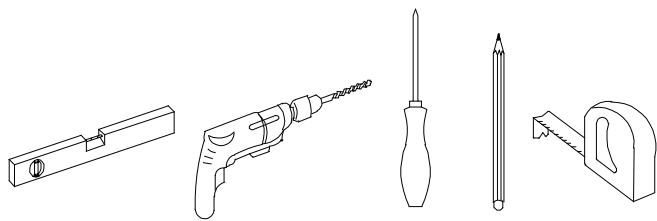


x34

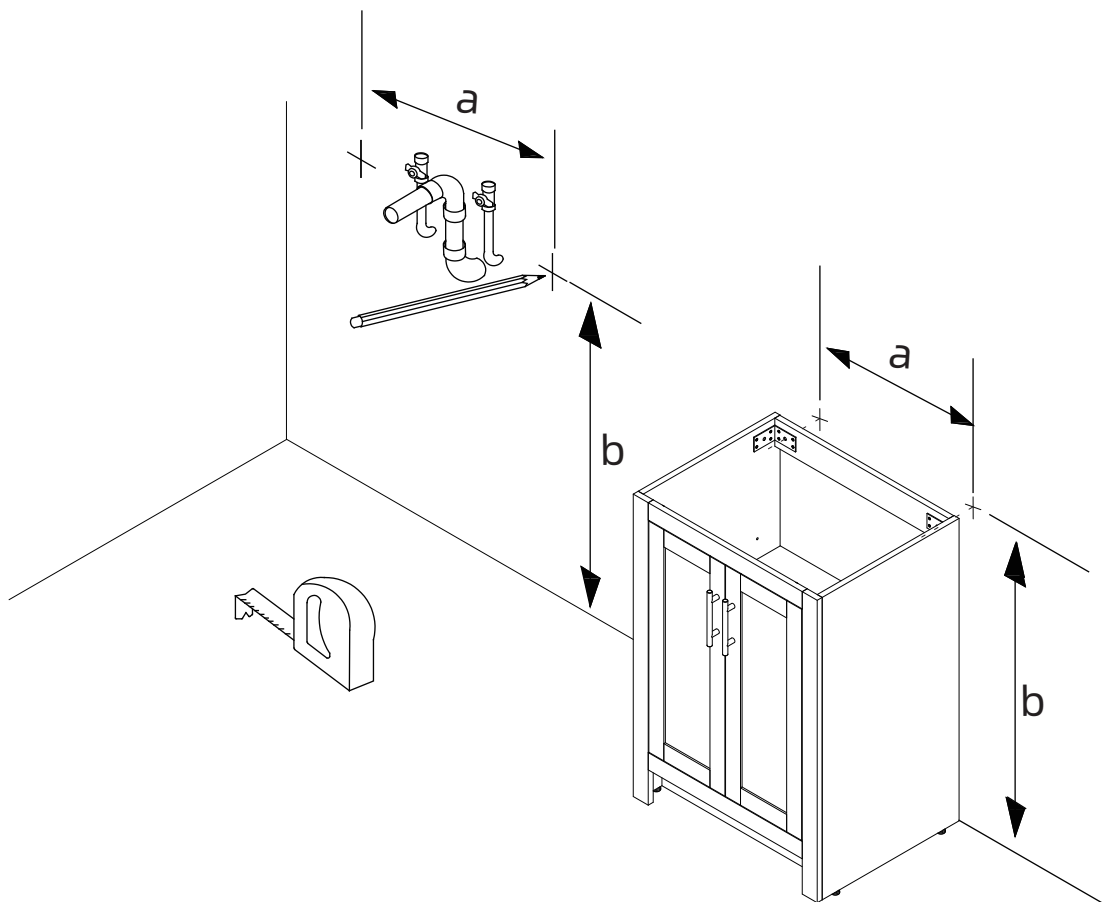


STEP 16.1

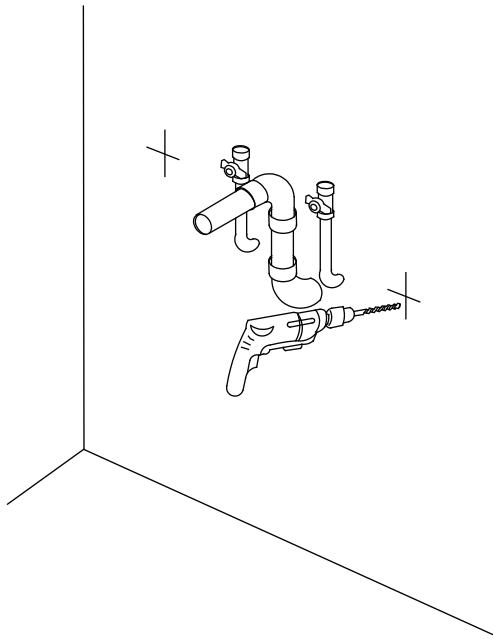
Ⓢ		x2
Ⓣ		x2




STEP 16.2

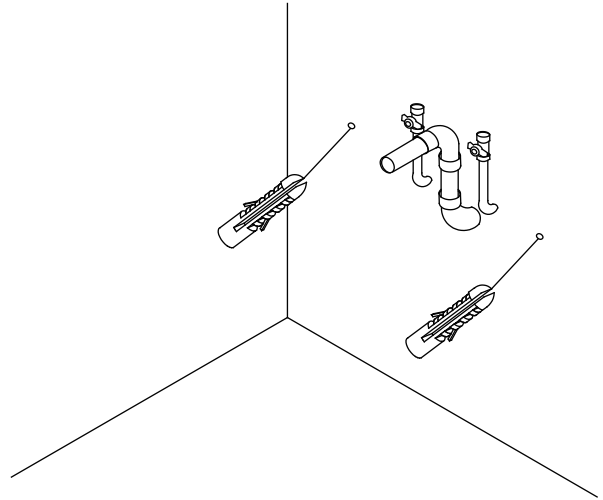


STEP 16.3




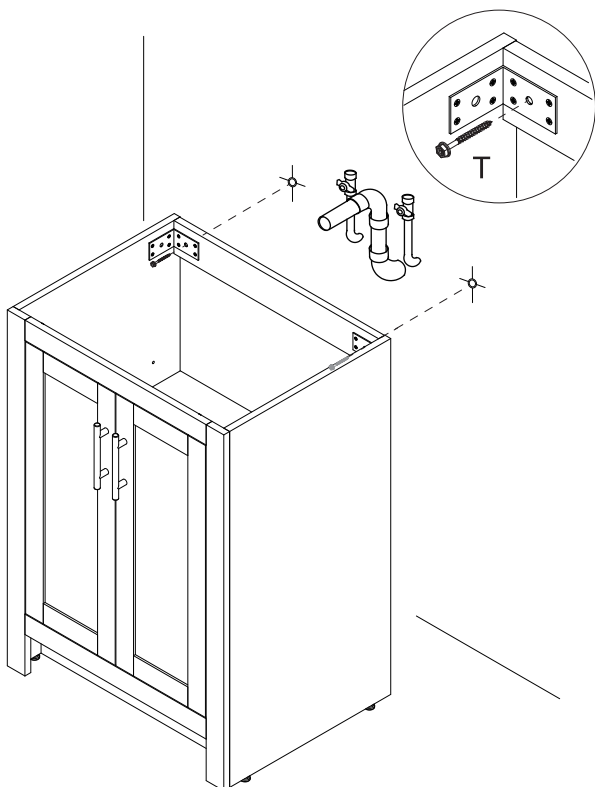
STEP 16.4

(S)		x2
-----	--	----



STEP 16.5

(T)		x2
-----	---	----



STEP 16.6

