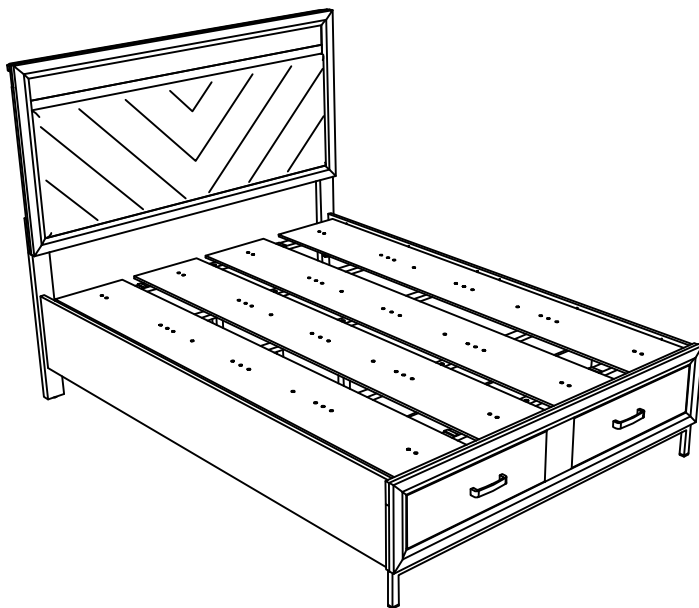


# ASSEMBLY INSTRUCTIONS

---



## TOOLS REQUIRED



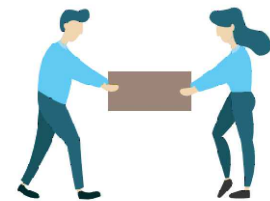
Allen Wrench

(Included)



Phillips Screwdriver

(Not Included)



2 - Persons  
Recommended

## ASSEMBLY RATING



EASY ————— DIFFICULT

The Assembly Rating is a 5-point system showing the level of effort needed to assemble a specific product.



## CHECK BEFORE STARTING

### Are you missing anything?

Double-check all parts, hardware and accessories listed on Page 6 are accounted for.

### Check out our Quick Tips!

We recommend reviewing the pre-assembly handouts. Even experts need a refresher now and then!

### Should we send any replacements?

Are there any irregularities or flaws in the parts? We can send replacements!

### Prep Time!

Please review the assembly instructions and all diagrams prior to assembling. Set up your workspace by laying the parts and hardware out separately, then begin!

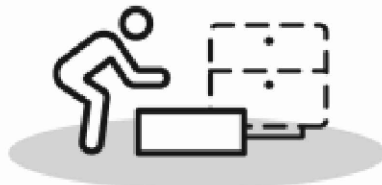
# PRE ASSEMBLY INTRODUCTION

We understand building ready-to-assemble furniture can be a challenging experience for some. To help avoid confusion, we have provided some helpful tips that may speed up the process.



## Teamwork

ALWAYS have at least two people to help with transporting and assembling the product to avoid potential injury and/or damage.



## Suitable Location

Assembling near the area of the intended location is highly recommended.



## Sufficient Space

Make sure you have enough space to move around during the assembly.



## Avoid Scratches

Use cardboard, blankets or a carpeted area while assembling furniture to prevent scratches.



## Flat Surface

Make sure the furniture rests on a flat and level surface with each leg evenly touching the floor.

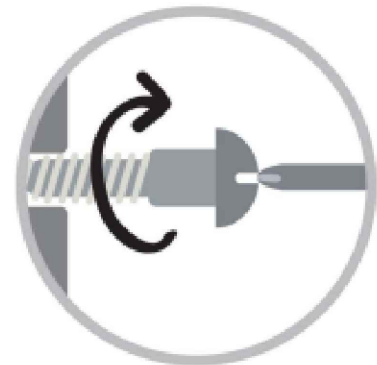
# ASSEMBLY AND CARE ADVICE



**FAILURE TO FOLLOW THE GUIDELINES BELOW MAY RESULT IN INJURY AND/OR PROPERTY DAMAGE.**



Position each part correctly and insert screws or bolts into their respective holes.



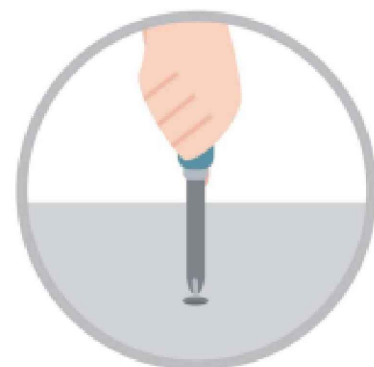
Turn clockwise to tighten and only tighten when step is completed or when instructed to do so.



Use the appropriate hand tools or power tools for assembly. Select steps, such as tightening screws and/or bolts, may require hand tools to avoid causing damage during assembly.



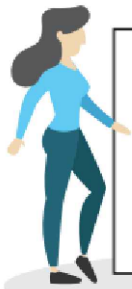
Save the instructions and store any supplied tools for later maintenance.



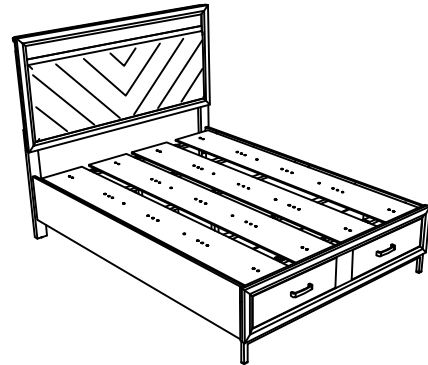
After two weeks, check and tighten any loose hardware and repeat again every six months thereafter.

**IT IS THE USER'S RESPONSIBILITY TO MAINTAIN THE FURNITURE. THE HARDWARE MAY LOOSEN OVER TIME AND MAY CAUSE THE FURNITURE TO BE WOBBLY AND UNABLE TO SUPPORT ITS INTENDED WEIGHT CAPACITY. THIS MAY LEAD TO COLLAPSE AND MAY CAUSE SERIOUS INJURY.**

# FULL BED



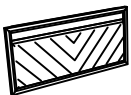
- Please keep instructions for future reference.
- Check the quantity and irregularity of parts and hardware before you start.



## PARTS

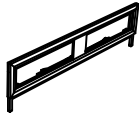
### Parts List (Box 1) Headboard Box

① 1pc



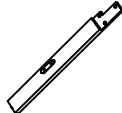
Headboard

② 1pc



Footboard

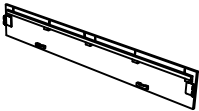
③ 2pcs



Headboard  
Leg L&R

### Parts List (Box 2) Side Rail Box

④ 2pcs



Side Rail

⑤ 1pc



T-Runner Center  
Support

⑥ 3pcs



Bed Slat w/o marking  
1387 x 45 x 18mm

⑦ 2pcs



Bed Slat with marking  
1387 x 45 x 18mm

⑧ 5pcs



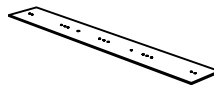
Bed Slat Support  
365 x 30 x 30mm

⑨ 1pc



FB T-Runner Slat  
Support  
145 x 30 x 30mm

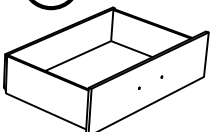
⑩ 4pcs



Concealed Panel  
1900 x 295 x 9mm

### Parts List (Box 3) Drawer Box

⑪ 2pcs

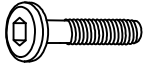


Footboard Drawer

## HARDWARE

### Hardware List (Box 1) Headboard Box

(A) 6pcs



Bolt 1/4" x 1-3/16"

(B) 6pcs



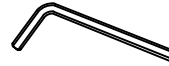
Lock Washer

(C) 6pcs



Flat Washer

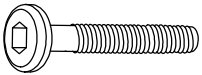
(D) 1pc



Allen Key M4

### Hardware List (Box 2) Side Rail Box

(E) 6pcs



Bolt 1/4" x 2"

(F) 8pcs



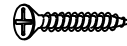
Flat Washer  
(IF NECESSARY  
USE ONLY)

(G) 12pcs



CSK m4 x 32mm

(H) 2pcs



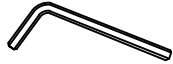
CSK m4 x 20mm

(I) 20pcs



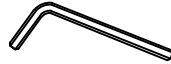
P.H Screw  
m3.5x20mm

(J) 1pc



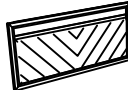
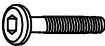

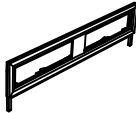

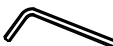
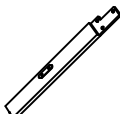
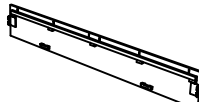
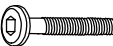

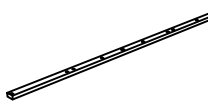



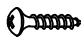

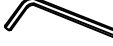
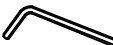

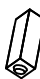

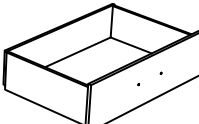
Allen Key M4

(K) 1pc



Allen Key M5

## packed in 3 cartons

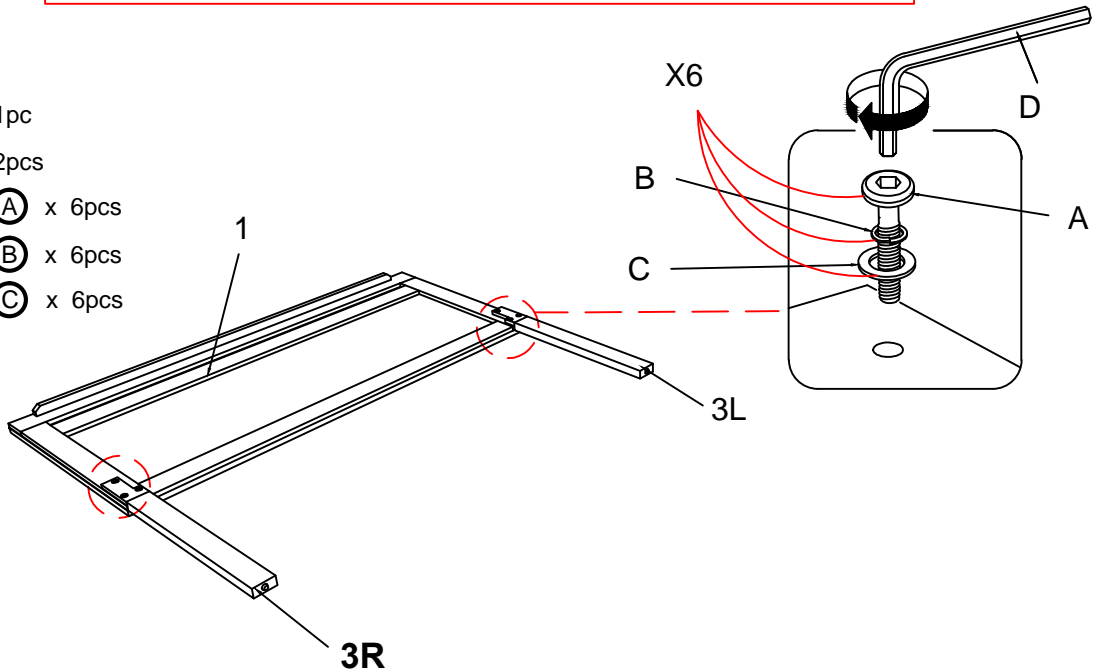
Carton	Designation	Part		Hardware	
	<b>Full Size Bed HB, FB &amp; HB Legs</b>	1	 X 1	 A x 6pcs  B x 6pcs	
2		 X 1	 C x 6pcs  D x 1pc		
3		 X 2			
	<b>Full Size Bed Rails</b>	4	 X 2	 E x 6pcs  F x 8pcs	
5		 X 1	 G x 12pcs  H x 2pcs		
6		 X 3	 I x 20pcs		
7		 X 2	 J x 1pc  K x 1pc		
8		 X 5			
9		 X 1			
10		 X 4			
		<b>Full Size Drawer</b>	11	 X 2	

# ASSEMBLY INSTRUCTIONS

Prepare 6 bolts assembly by inserting lock washer (B), then flat washer (C) onto bolts (A).  
Align HB legs (3R/L) to the holes of the headboard (1). Secure by using bolts (A).

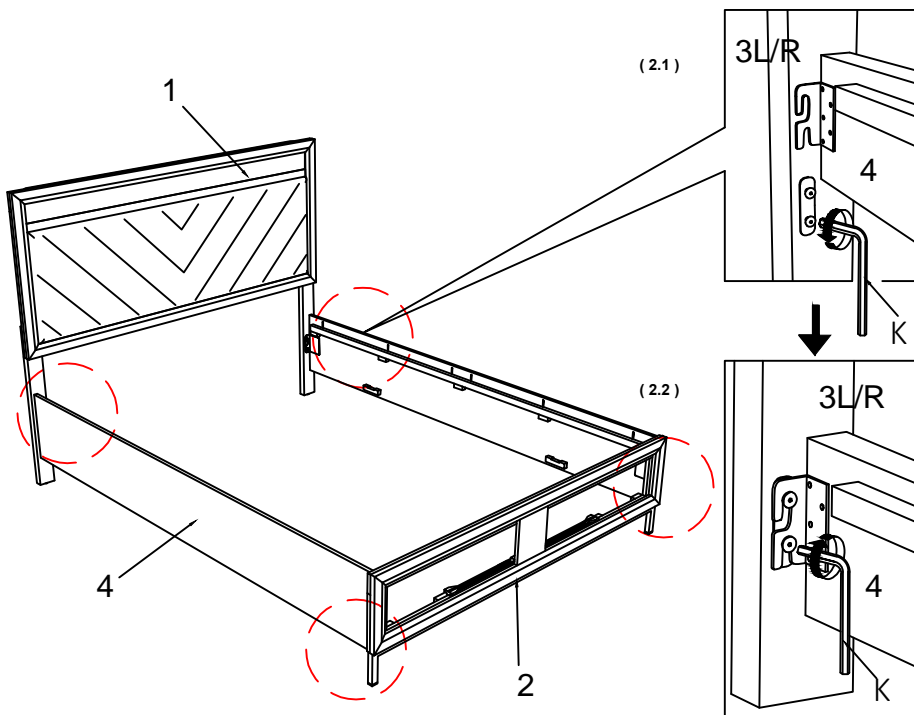
## 1

- Part ① x 1pc
- Part ③ x 2pcs
- Hardware ① x 6pcs
- Hardware ② x 6pcs
- Hardware ③ x 6pcs



## 2

- 1) Loosen the bolts attached to headboard (1) and footboard (2), then hook the side rails (4) to the loosed bolts on the headboard (1) and footboard (2).
- 2) Tighten the bolts on the headboard (1) and footboard (2) to the side rail hooks (4).

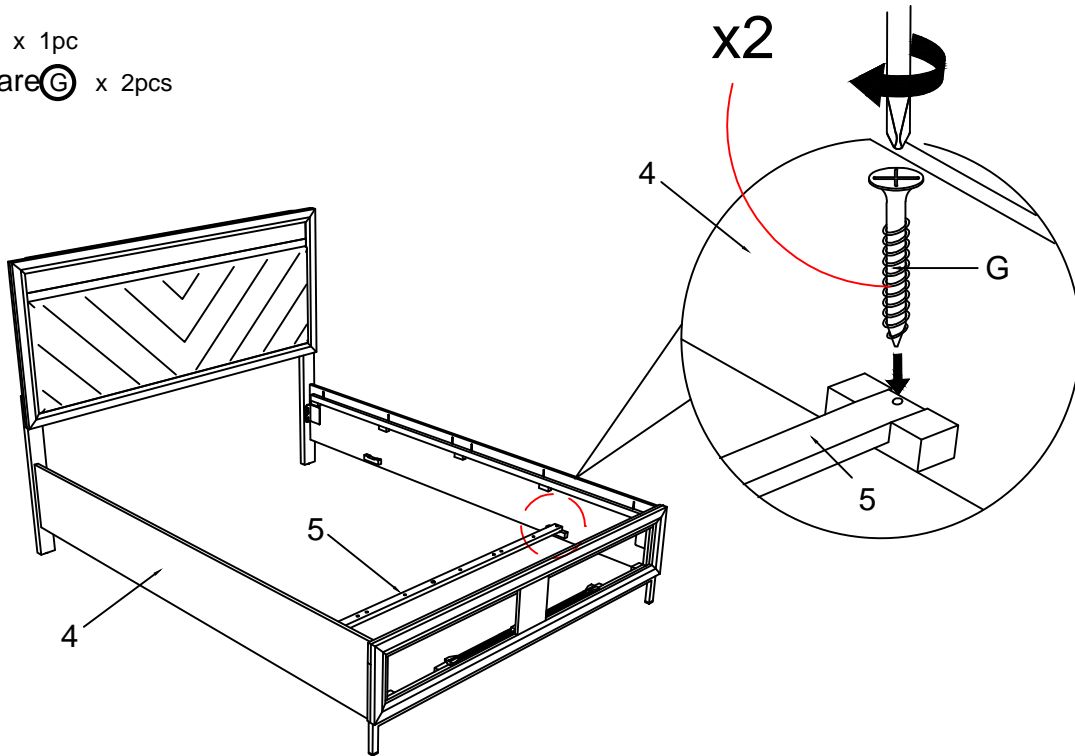


# ASSEMBLY INSTRUCTIONS

## 3

Part ⑤ x 1pc  
Hardware ⑥ x 2pcs

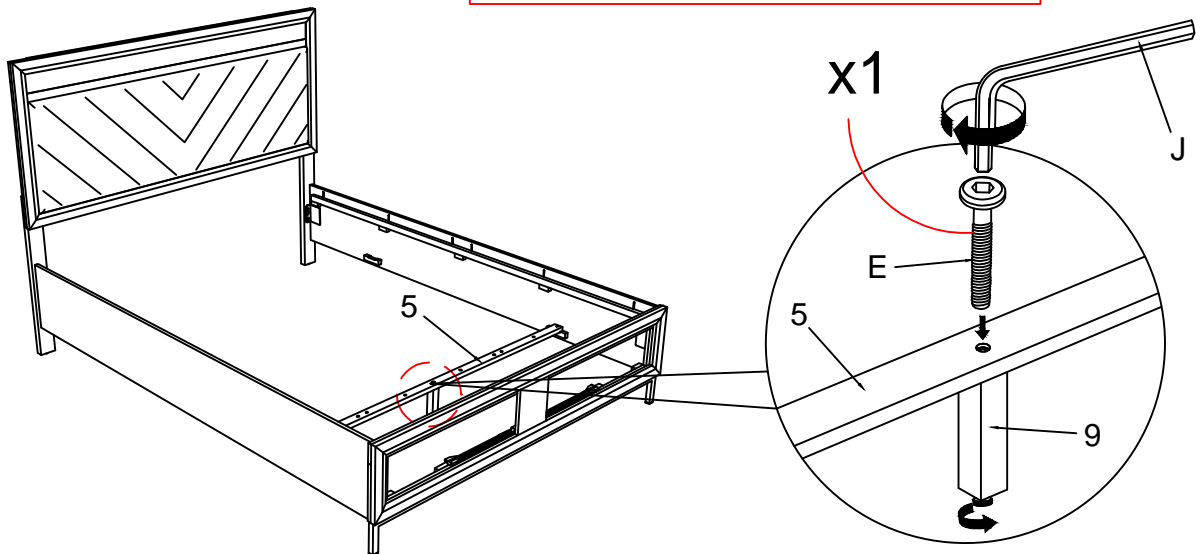
Align T-Runner Center Support (5) to the side rails (4), then secure by using screws (G).



## 4

Part ⑨ x 1pc  
Hardware ⑦ x 1pc

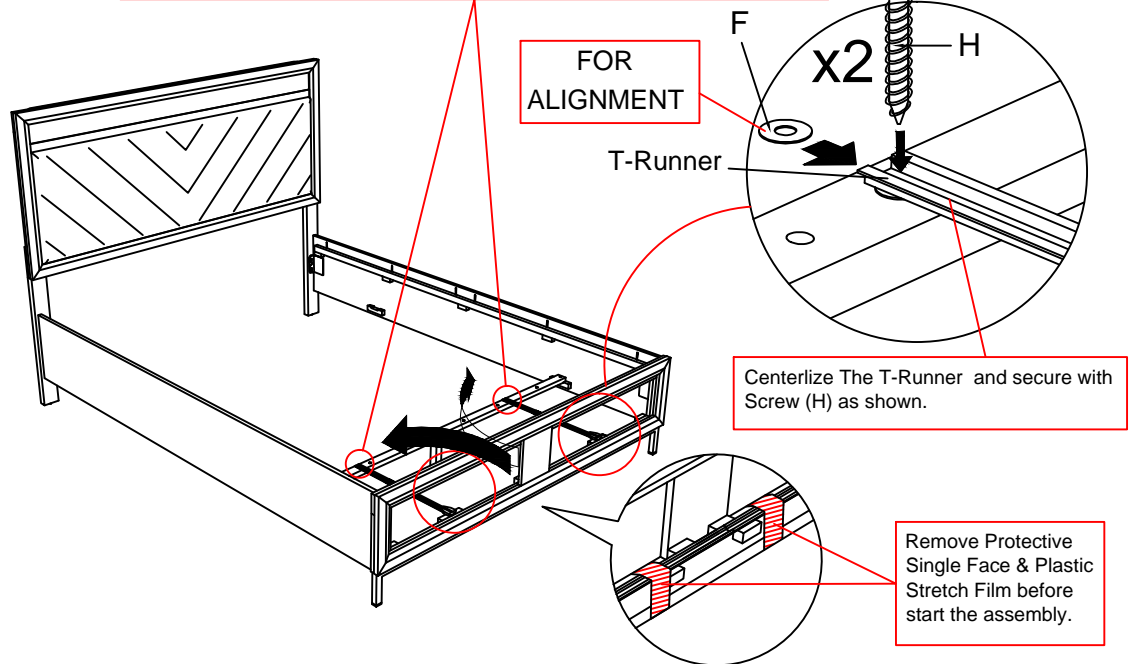
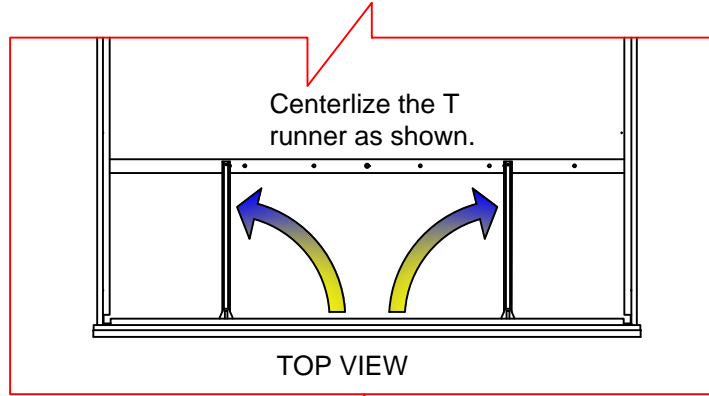
Align Footboard T-Runner Slat Support (9) to the hole of the T-Runner Center Support (5), secure with JCBC (E) tighten with Allen Key (J), then adjust leveler of the Footboard T-Runner Slat Support (9) according to ground level.



# ASSEMBLY INSTRUCTIONS

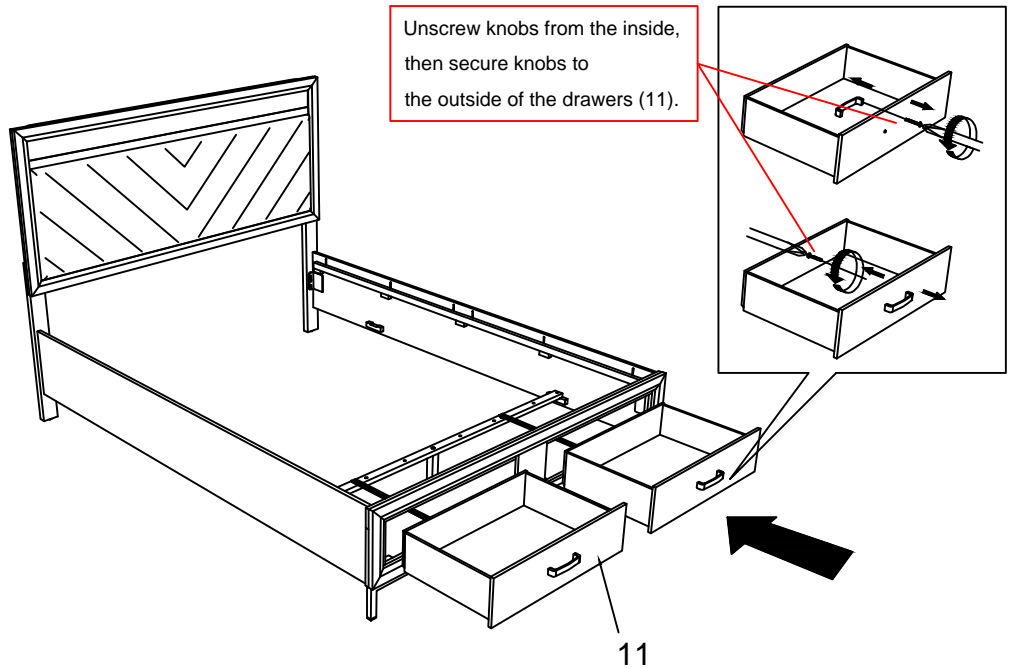
5

Hardware  x 2pcs



6

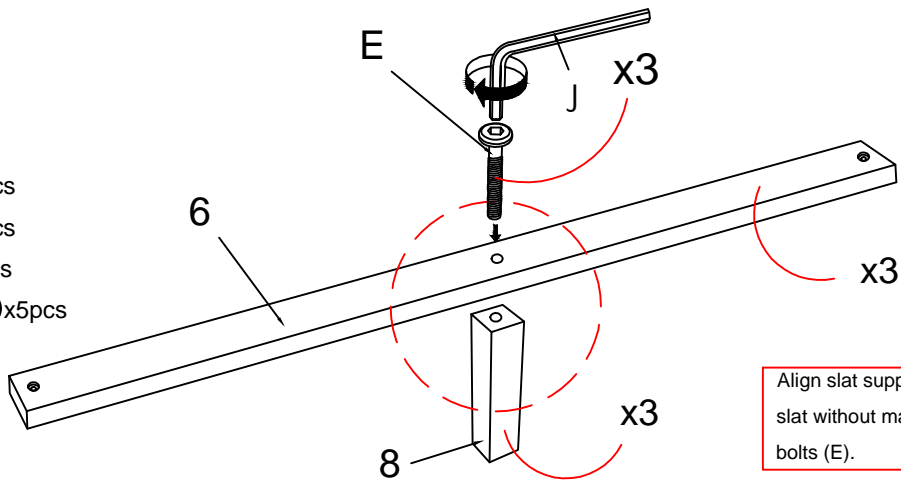
Part  x 2pcs



# ASSEMBLY INSTRUCTIONS

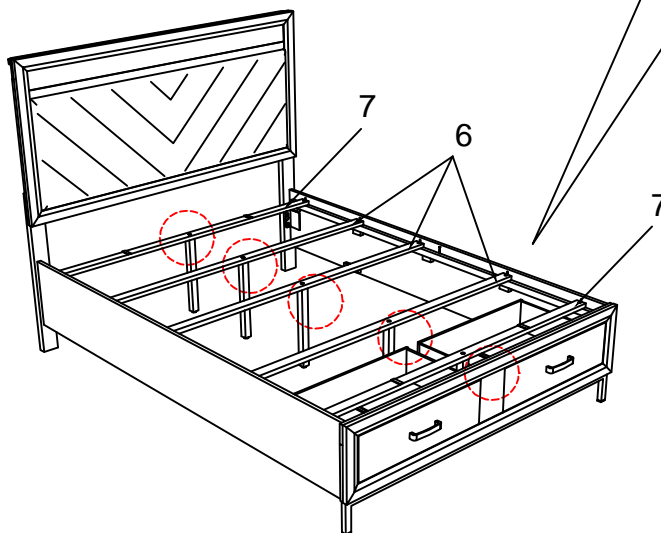
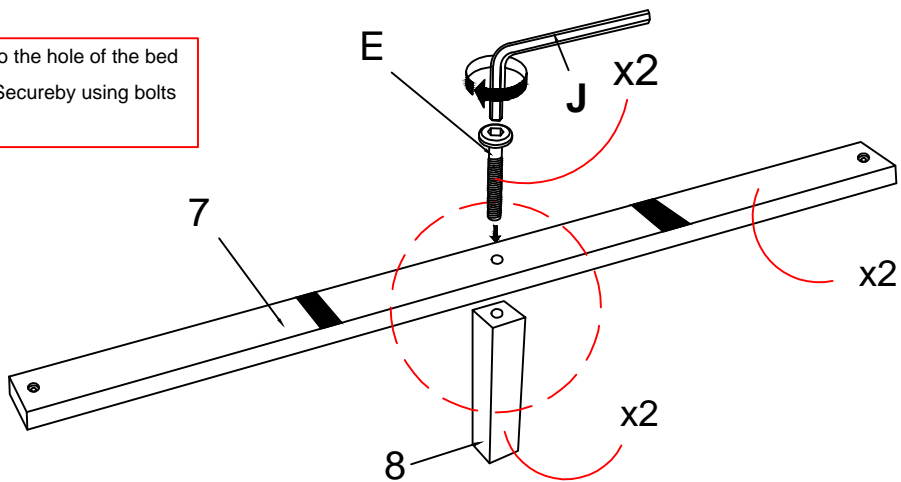
7

- Part ⑥ x 3pcs
- Part ⑦ x 2pcs
- Part ⑧ x 5pcs
- Hardware ⑤ x 5pcs



Align slat support (8) to the hole of the bed slat without marking (6). Secure by using bolts (E).

Align slat support (8) to the hole of the bed slat with marking (7). Secure by using bolts (E).

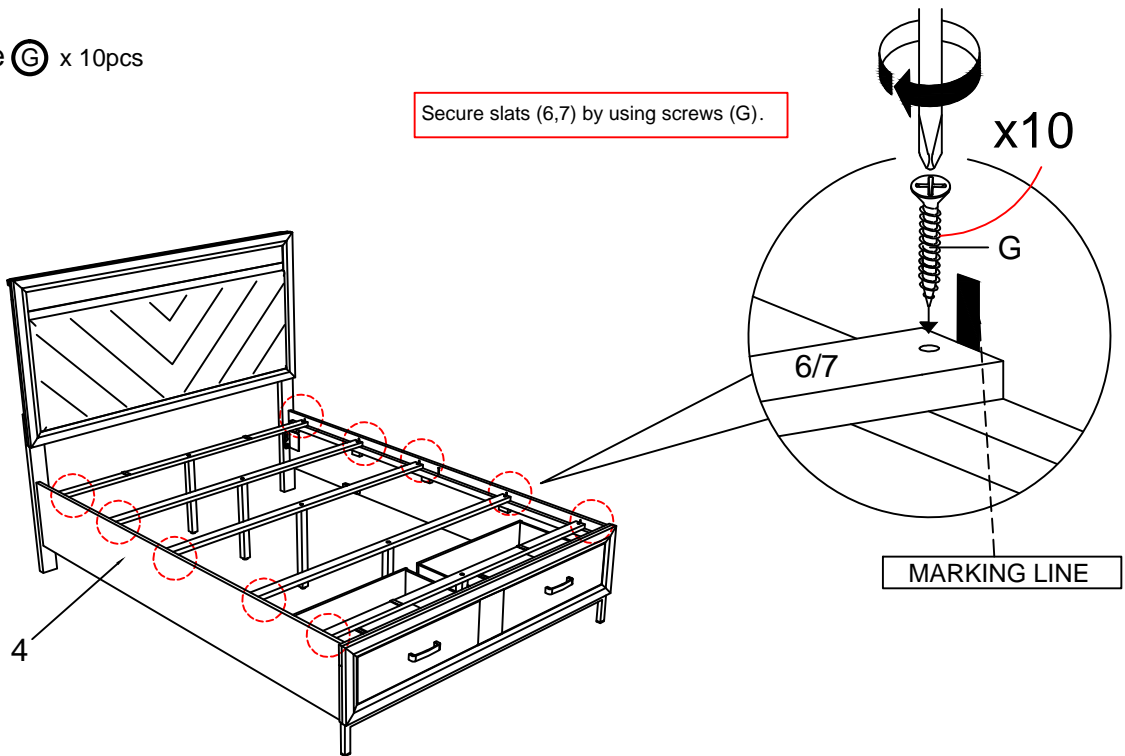


Align slats (6,7) to the side rails (4) by follow the Marking Line provided .



# ASSEMBLY INSTRUCTIONS

## 8

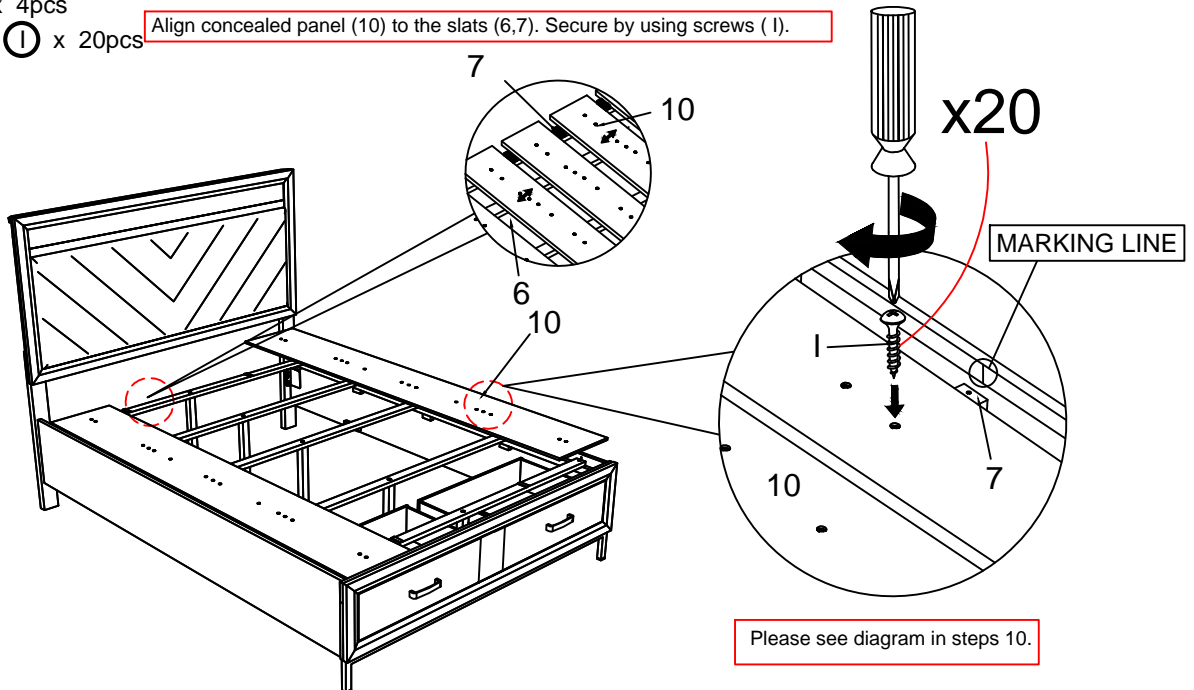
Hardware  x 10pcs



## 9

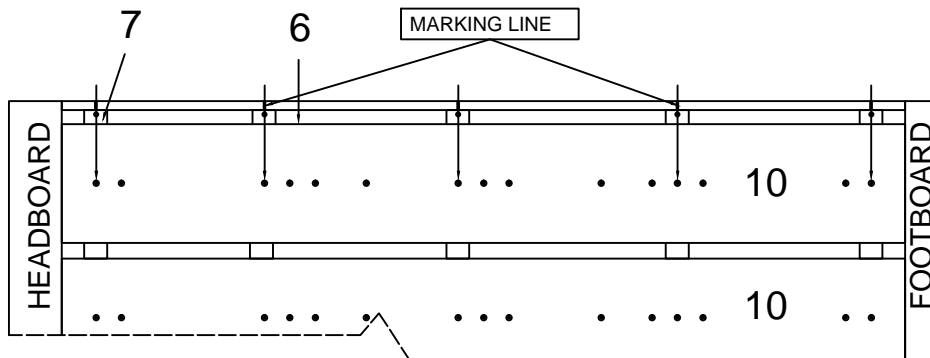
Part  x 4pcs  
Hardware  x 20pcs

Align concealed panel (10) to the slats (6,7). Secure by using screws (I).

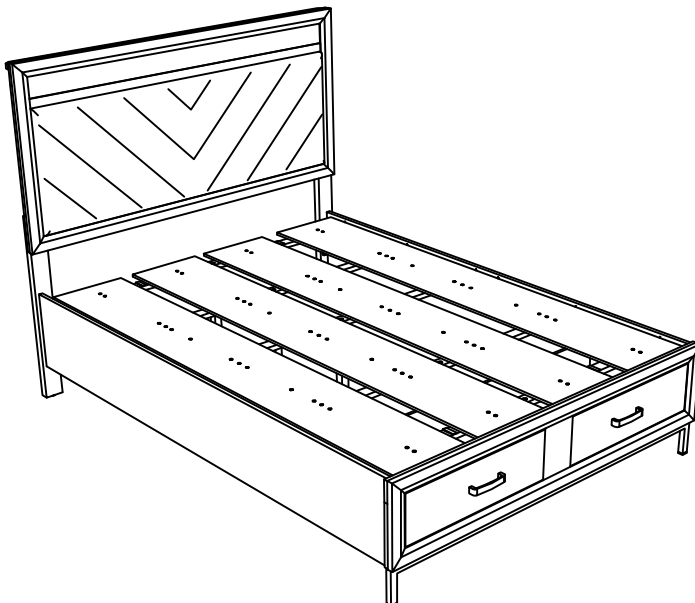


# ASSEMBLY INSTRUCTIONS

10



11



## ASSEMBLY COMPLETED



Please ensure the furniture rests on an even and flat surface. If the product wobbles or feels loose, double-check all bolts and/or screws are properly tightened and secured.



### Keep this handy!

Please retain this instruction manual and any order-related information for future reference.



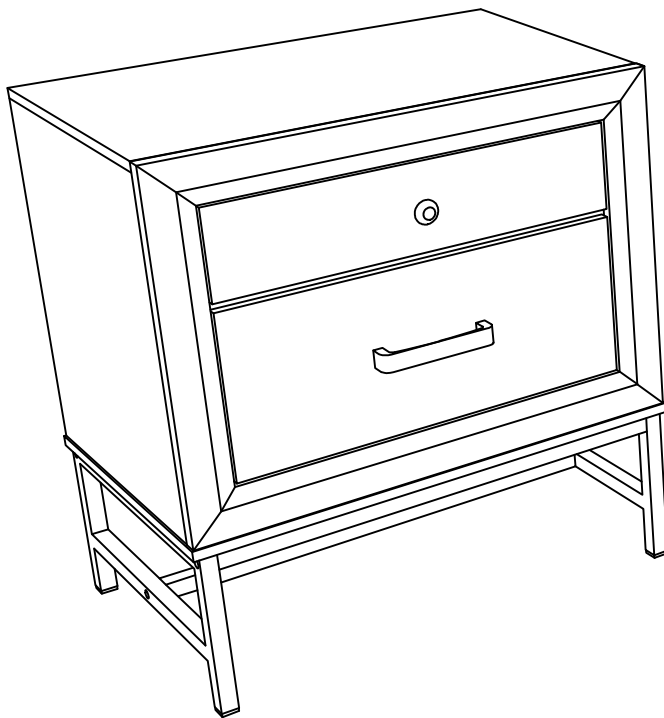
### Lift, don't drag!

To avoid damage to product please always LIFT the product when transporting or adjusting the placement.

This product is intended for RESIDENTIAL USE ONLY and not for commercial use.

# ASSEMBLY INSTRUCTIONS

---



## TOOLS REQUIRED



Allen Wrench

(Included)



Phillips Screwdriver

(Not Included)



2 - Persons  
Recommended

## ASSEMBLY RATING



EASY ————— DIFFICULT

The Assembly Rating is a 5-point system showing the level of effort needed to assemble a specific product.



## CHECK BEFORE STARTING

### Are you missing anything?

Double-check all parts, hardware and accessories listed on Page 6 are accounted for.

### Check out our Quick Tips!

We recommend reviewing the pre-assembly handouts. Even experts need a refresher now and then!

### Should we send any replacements?

Are there any irregularities or flaws in the parts? We can send replacements!

### Prep Time!

Please review the assembly instructions and all diagrams prior to assembling. Set up your workspace by laying the parts and hardware out separately, then begin!

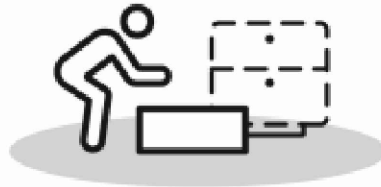
# PRE ASSEMBLY INTRODUCTION

We understand building ready-to-assemble furniture can be a challenging experience for some. To help avoid confusion, we have provided some helpful tips that may speed up the process.



## Teamwork

ALWAYS have at least two people to help with transporting and assembling the product to avoid potential injury and/or damage.



## Suitable Location

Assembling near the area of the intended location is highly recommended.



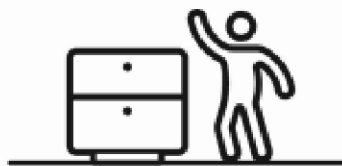
## Sufficient Space

Make sure you have enough space to move around during the assembly.



## Avoid Scratches

Use cardboard, blankets or a carpeted area while assembling furniture to prevent scratches.



## Flat Surface

Make sure the furniture rests on a flat and level surface with each leg evenly touching the floor.

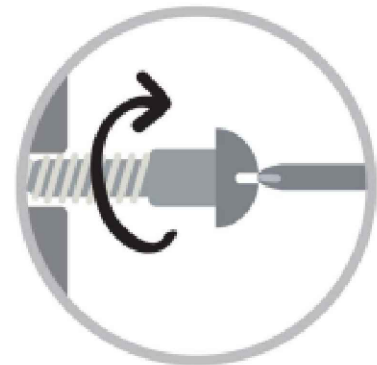
# ASSEMBLY AND CARE ADVICE



**FAILURE TO FOLLOW THE GUIDELINES BELOW MAY RESULT IN INJURY AND/OR PROPERTY DAMAGE.**



Position each part correctly and insert screws or bolts into their respective holes.



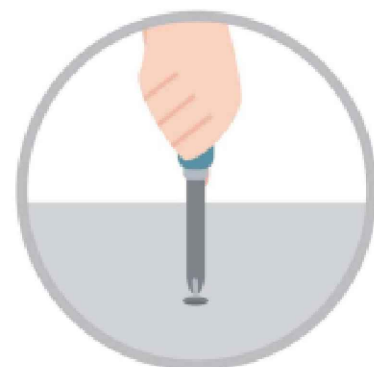
Turn clockwise to tighten and only tighten when step is completed or when instructed to do so.



Use the appropriate hand tools or power tools for assembly. Select steps, such as tightening screws and/or bolts, may require hand tools to avoid causing damage during assembly.



Save the instructions and store any supplied tools for later maintenance.



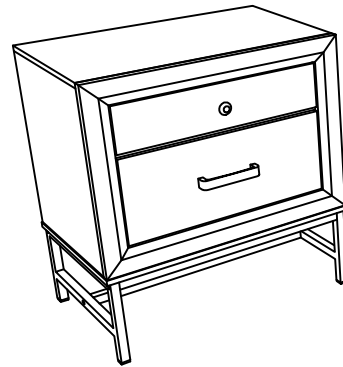
After two weeks, check and tighten any loose hardware and repeat again every six months thereafter.

**IT IS THE USER'S RESPONSIBILITY TO MAINTAIN THE FURNITURE. THE HARDWARE MAY LOOSEN OVER TIME AND MAY CAUSE THE FURNITURE TO BE WOBBLY AND UNABLE TO SUPPORT ITS INTENDED WEIGHT CAPACITY. THIS MAY LEAD TO COLLAPSE AND MAY CAUSE SERIOUS INJURY.**

# NIGHTSTAND

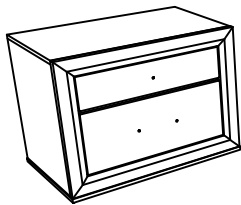


- Please keep instructions for future reference.
- Check the quantity and irregularity of parts and hardware before you start.



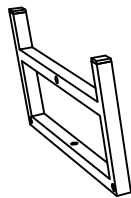
## PARTS

① 1pc



Nightstand

② 2pcs



Leg Frame

③ 2pcs



Upper Crossbar

④ 1pc

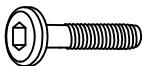


Lower Crossbar

## HARDWARE

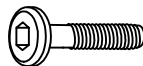
### Hardware List (Box 1) Headboard Box

Ⓐ 2pcs



Bolt 1/4" x 1-3/16"

Ⓑ 6pcs



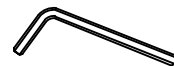
Bolt 1/4" x 1-9/16"

Ⓒ 4pcs



P.H Screw  
m4x32mm

Ⓓ 1pc



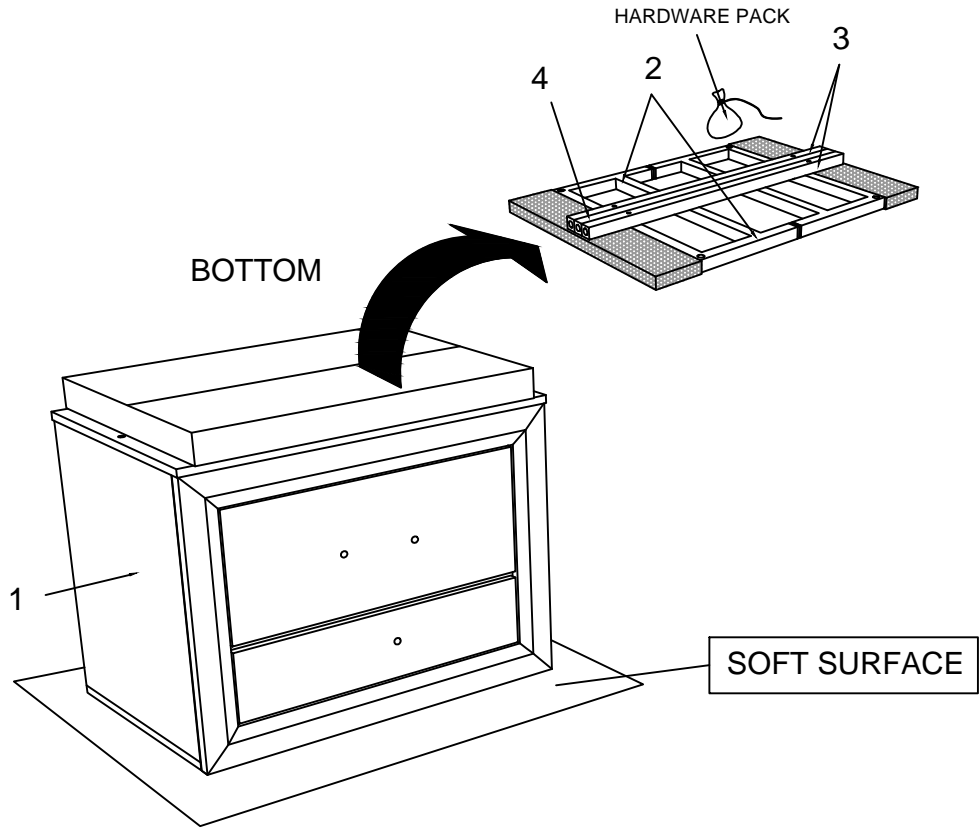
Allen Key M4

# ASSEMBLY INSTRUCTIONS

Remove Nightstand Metal Leg from Inner box as shown.

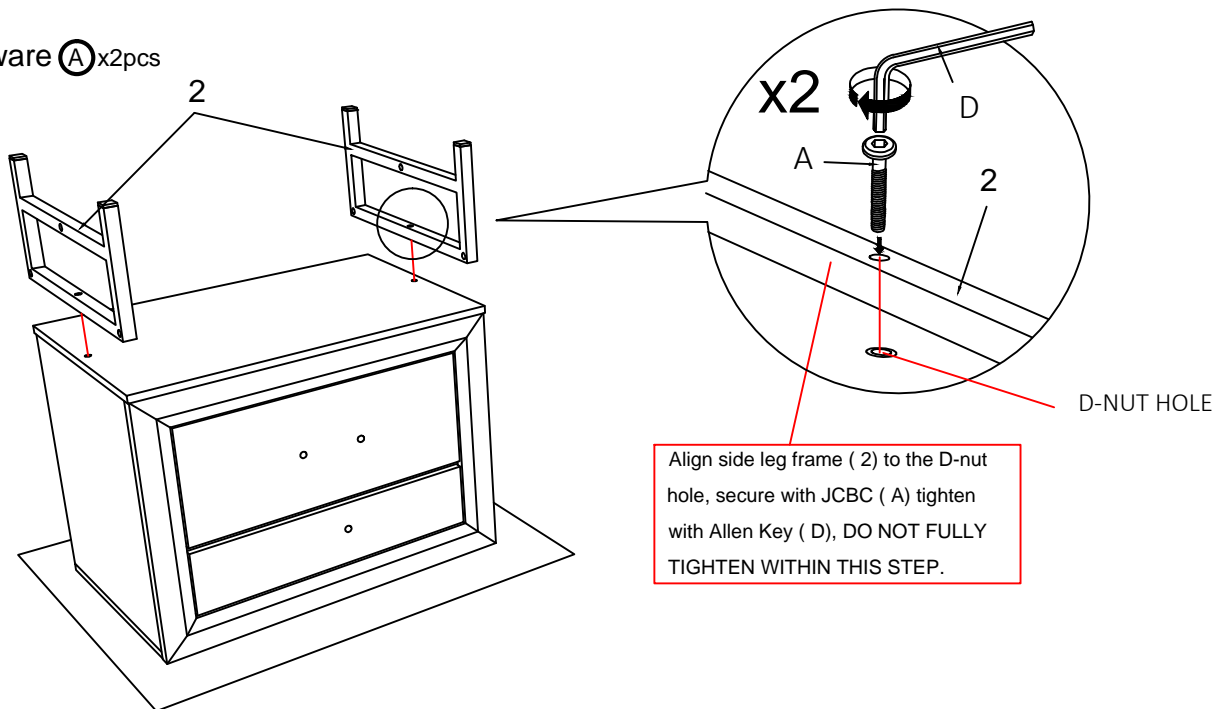
## 1

- Part ① x1pc
- Part ② x2pcs
- Part ③ x2pcs
- Part ④ x1pc



## 2

Hardware ① x2pcs



# ASSEMBLY INSTRUCTIONS

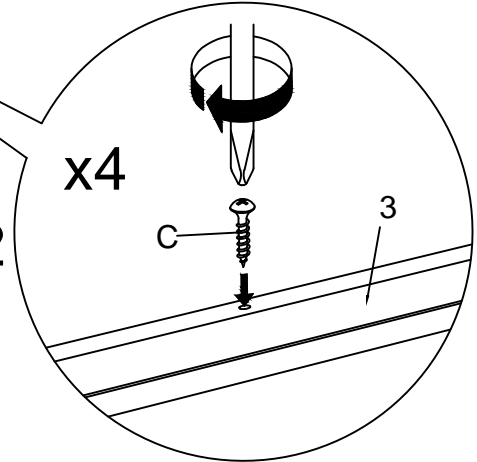
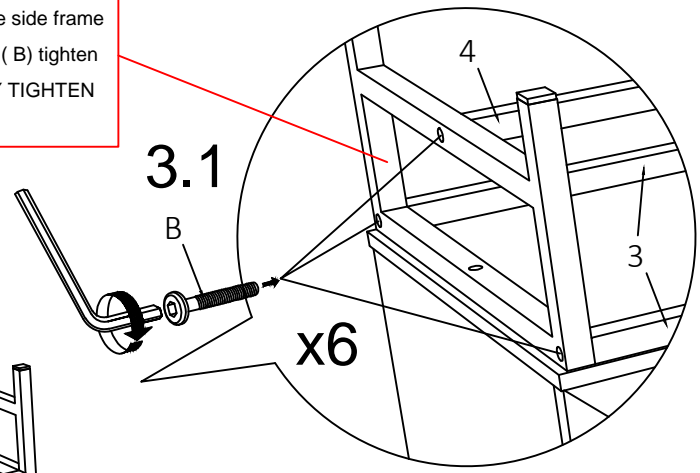
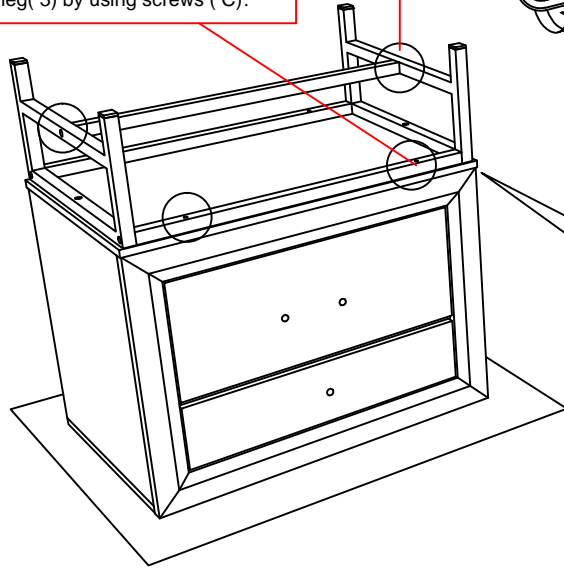
## 3

Hardware **(B)** x6pcs

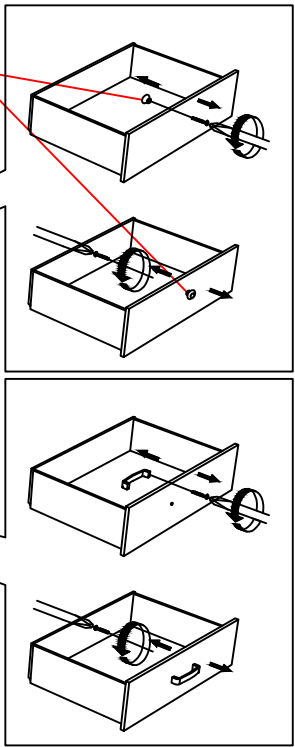
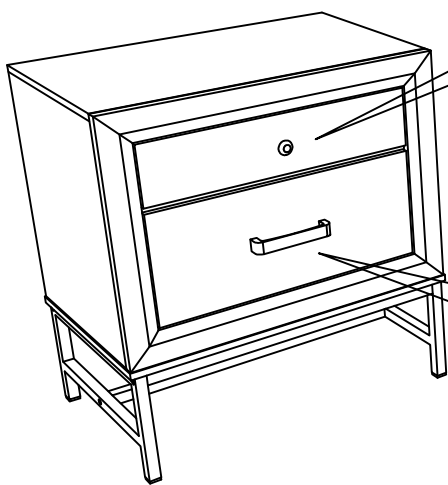
Hardware **(C)** x4pcs

Align side leg front & back frame ( 3 ) and center frame ( 4 ) to the side frame leg ( 2 ), secure with JCBC ( B ) tighten with Allen Key ( D ), FULLY TIGHTEN WITHIN THIS STEP.

Secure frame leg( 3 ) by using screws ( C ).



Unscrew knobs to the inside, then secure knobs to the outside of the drawers ( 12 ).



**ASSEMBLY COMPLETED**

✓ Please ensure the furniture rests on an even and flat surface. If the product wobbles or feels loose, double-check all bolts and/or screws are properly tightened and secured.

- ✓ **Keep this handy!**  
Please retain this instruction manual and any order-related information for future reference.
- ✓ **Lift, don't drag!**  
To avoid damage to product please always LIFT the product when transporting or adjusting the placement.

This product is intended for RESIDENTIAL USE ONLY and not for commercial use.

# ASSEMBLY INSTRUCTIONS

---



## TOOLS REQUIRED



Allen Wrench

(Included)



Phillips Screwdriver

(Not Included)



2 - Persons  
Recommended

## ASSEMBLY RATING



EASY ————— DIFFICULT

The Assembly Rating is a 5-point system showing the level of effort needed to assemble a specific product.



## CHECK BEFORE STARTING



### Are you missing anything?

Double-check all parts, hardware and accessories listed on Page 6 are accounted for.



### Check out our Quick Tips!

We recommend reviewing the pre-assembly handouts. Even experts need a refresher now and then!



### Should we send any replacements?

Are there any irregularities or flaws in the parts? We can send replacements!



### Prep Time!

Please review the assembly instructions and all diagrams prior to assembling. Set up your workspace by laying the parts and hardware out separately, then begin!

# PRE ASSEMBLY INTRODUCTION

We understand building ready-to-assemble furniture can be a challenging experience for some. To help avoid confusion, we have provided some helpful tips that may speed up the process.



## Teamwork

ALWAYS have at least two people to help with transporting and assembling the product to avoid potential injury and/or damage.



## Suitable Location

Assembling near the area of the intended location is highly recommended.



## Sufficient Space

Make sure you have enough space to move around during the assembly.



## Avoid Scratches

Use cardboard, blankets or a carpeted area while assembling furniture to prevent scratches.



## Flat Surface

Make sure the furniture rests on a flat and level surface with each leg evenly touching the floor.

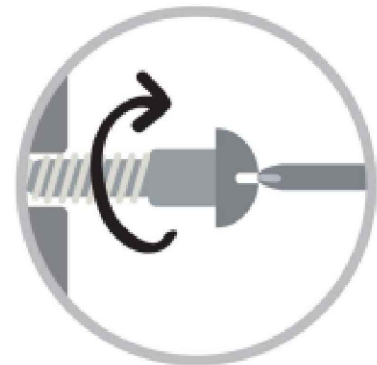
# ASSEMBLY AND CARE ADVICE



**FAILURE TO FOLLOW THE GUIDELINES BELOW MAY RESULT IN INJURY AND/OR PROPERTY DAMAGE.**



Position each part correctly and insert screws or bolts into their respective holes.



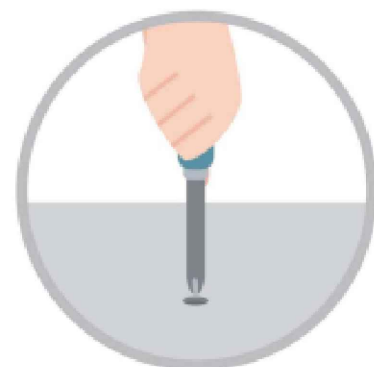
Turn clockwise to tighten and only tighten when step is completed or when instructed to do so.



Use the appropriate hand tools or power tools for assembly. Select steps, such as tightening screws and/or bolts, may require hand tools to avoid causing damage during assembly.



Save the instructions and store any supplied tools for later maintenance.



After two weeks, check and tighten any loose hardware and repeat again every six months thereafter.

**IT IS THE USER'S RESPONSIBILITY TO MAINTAIN THE FURNITURE. THE HARDWARE MAY LOOSEN OVER TIME AND MAY CAUSE THE FURNITURE TO BE WOBBLY AND UNABLE TO SUPPORT ITS INTENDED WEIGHT CAPACITY. THIS MAY LEAD TO COLLAPSE AND MAY CAUSE SERIOUS INJURY.**

# CHEST



- Please keep instructions for future reference.
- Check the quantity and irregularity of parts and hardware before you start.



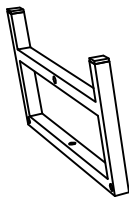
## PARTS

① 1pc



Chest

② 2pcs



Leg Frame

③ 2pcs



Upper Crossbar

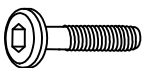
④ 1pc



Lower Crossbar

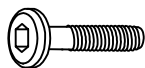
## HARDWARE

Ⓐ 2pcs



Bolt 1/4" x 1-3/16"

Ⓑ 6pcs



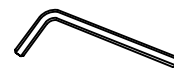
Bolt 1/4" x 1-9/16"

Ⓒ 6pcs



P.H Screw  
m4x32mm

Ⓓ 1pc



Allen Key M4

Ⓔ 1pc



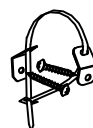
Handle

Ⓕ 1pc



T.H Screw M4  
x 25mm

Ⓖ 1 set



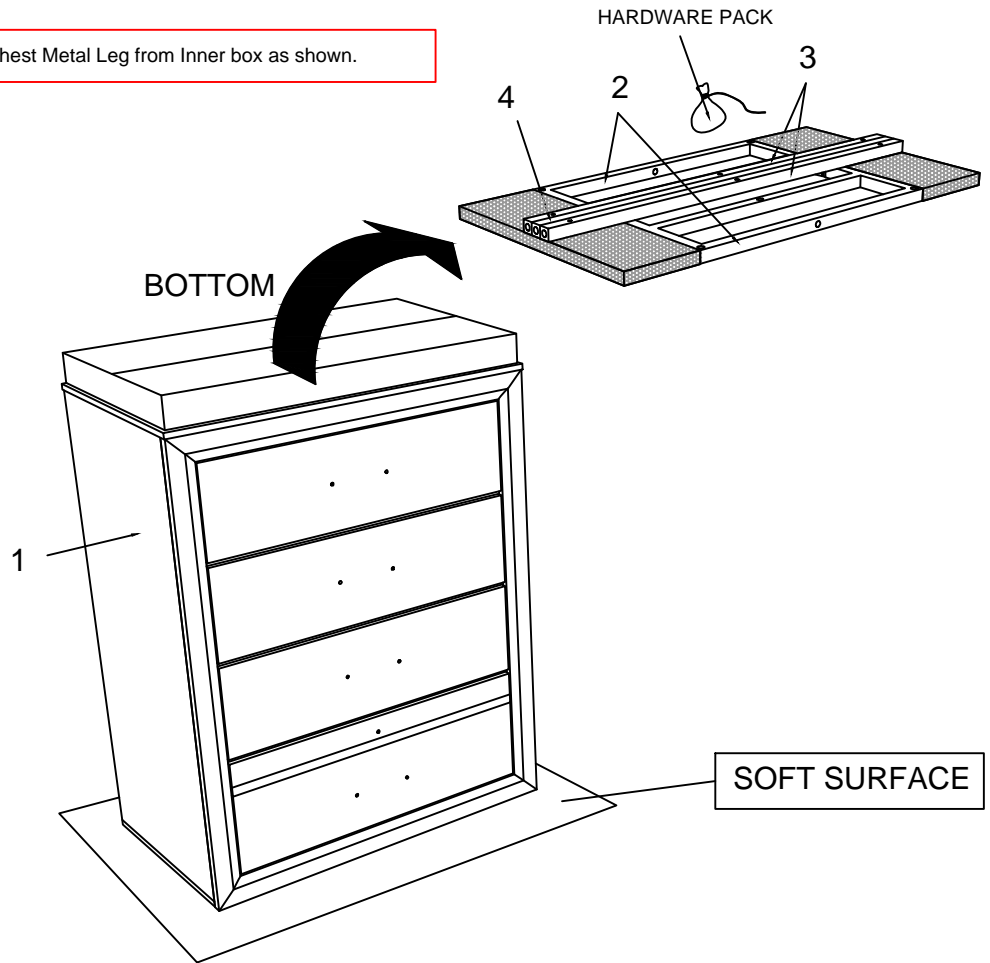
Anti-Tip Kit

# ASSEMBLY INSTRUCTIONS

Remove Chest Metal Leg from Inner box as shown.

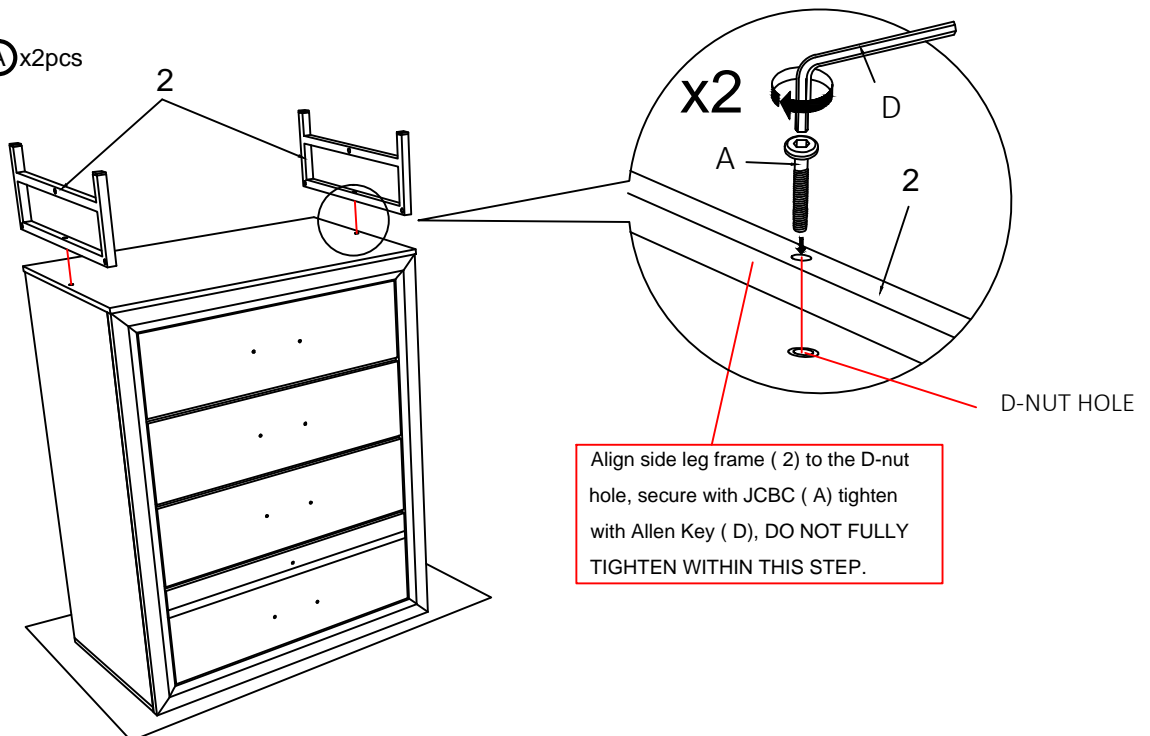
## 1

- Part ① x1pc
- Part ② x2pcs
- Part ③ x2pcs
- Part ④ x1pc



## 2

Hardware ① x2pcs



# ASSEMBLY INSTRUCTIONS

## 3

Hardware **(B)** x6pcs

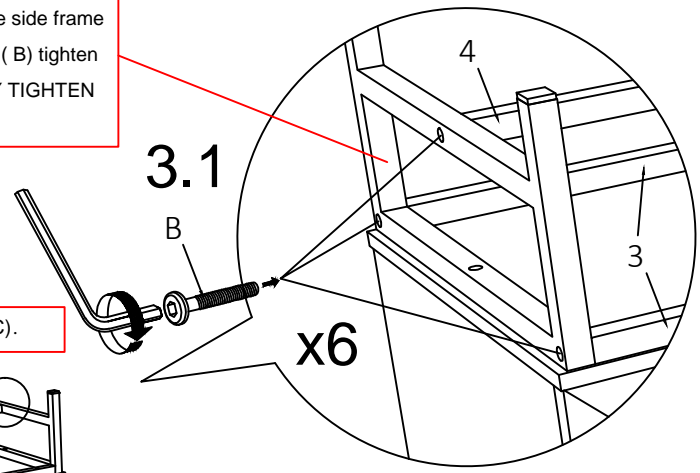
Hardware **(C)** x6pcs

Hardware **(E)** x1pc

Hardware **(F)** x1pc

Align side leg front & back frame ( 3 ) and center frame ( 4 ) to the side frame leg ( 2 ), secure with JCBC ( B ) tighten with Allen Key ( D ), FULLY TIGHTEN WITHIN THIS STEP.

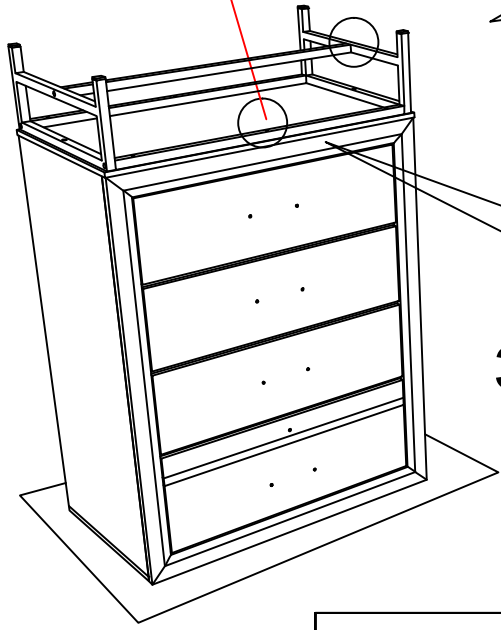
Secure frame leg ( 3 ) by using screws ( C ).



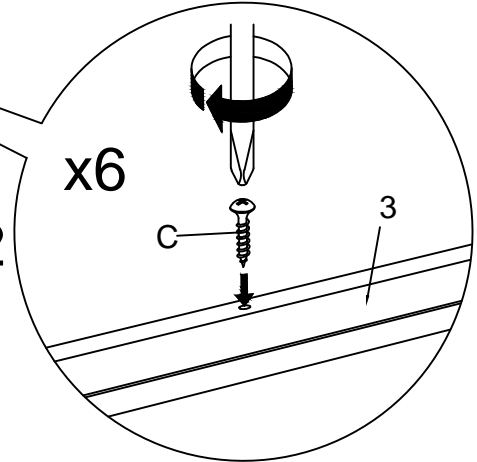
3.1

B

x6



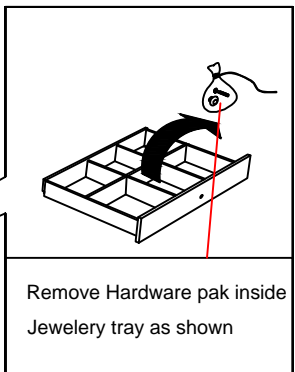
3.2



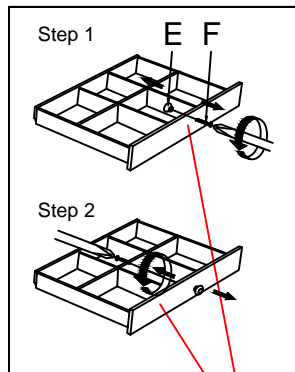
x6

C

3



Remove Hardware pak inside Jewelry tray as shown

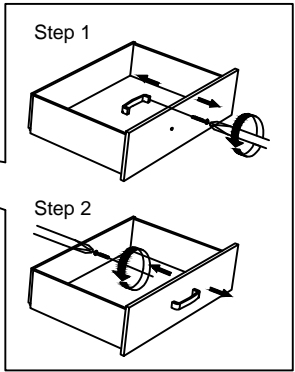


Step 1

E F

Step 2

Unscrew knobs to the inside, then secure knobs to the outside of the drawers.

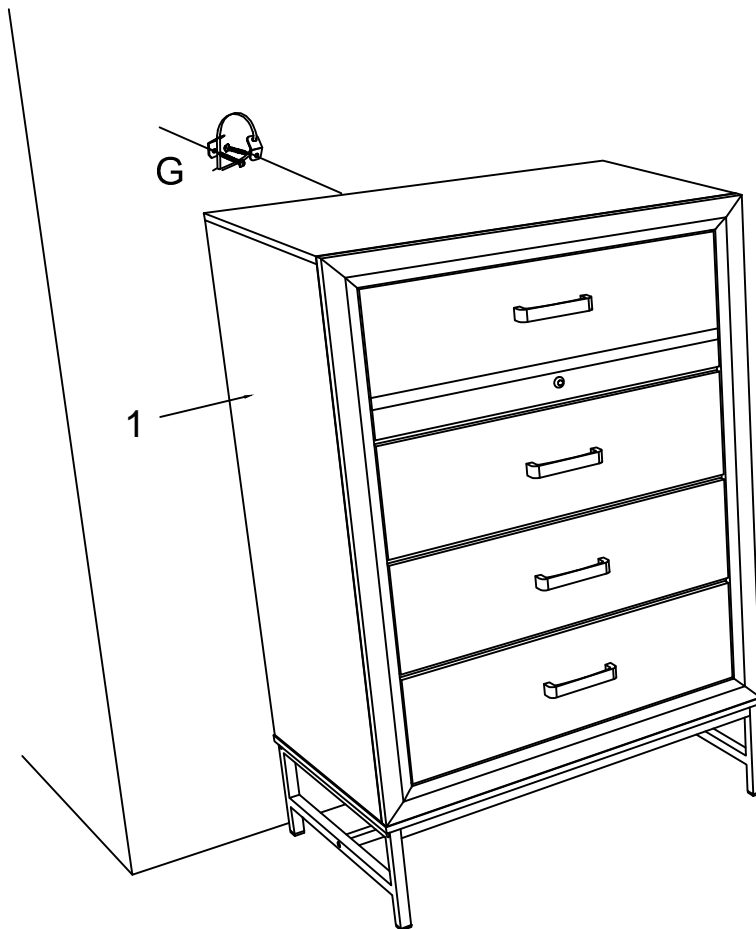


Step 1

Step 2

# ASSEMBLY INSTRUCTIONS

Part ① x1pc  
Hardware ⑥ x1set



## ASSEMBLY COMPLETED



Please ensure the furniture rests on an even and flat surface. If the product wobbles or feels loose, double-check all bolts and/or screws are properly tightened and secured.

✓ **Keep this handy!**

Please retain this instruction manual and any order-related information for future reference.

✓ **Lift, don't drag!**

To avoid damage to product please always LIFT the product when transporting or adjusting the placement.

This product is intended for RESIDENTIAL USE ONLY and not for commercial use.

# ASSEMBLY INSTRUCTIONS

---



## TOOLS REQUIRED



Allen Wrench

(Included)



Phillips Screwdriver

(Not Included)



2 - Persons  
Recommended

## ASSEMBLY RATING



EASY ————— DIFFICULT

The Assembly Rating is a 5-point system showing the level of effort needed to assemble a specific product.



## CHECK BEFORE STARTING



### Are you missing anything?

Double-check all parts, hardware and accessories listed on Page 6 are accounted for.



### Check out our Quick Tips!

We recommend reviewing the pre-assembly handouts. Even experts need a refresher now and then!



### Should we send any replacements?

Are there any irregularities or flaws in the parts? We can send replacements!



### Prep Time!

Please review the assembly instructions and all diagrams prior to assembling. Set up your workspace by laying the parts and hardware out separately, then begin!

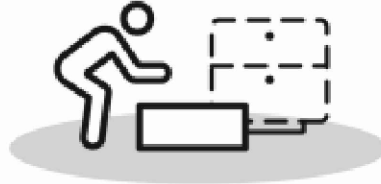
# PRE ASSEMBLY INTRODUCTION

We understand building ready-to-assemble furniture can be a challenging experience for some. To help avoid confusion, we have provided some helpful tips that may speed up the process.



## Teamwork

ALWAYS have at least two people to help with transporting and assembling the product to avoid potential injury and/or damage.



## Suitable Location

Assembling near the area of the intended location is highly recommended.



## Sufficient Space

Make sure you have enough space to move around during the assembly.



## Avoid Scratches

Use cardboard, blankets or a carpeted area while assembling furniture to prevent scratches.



## Flat Surface

Make sure the furniture rests on a flat and level surface with each leg evenly touching the floor.

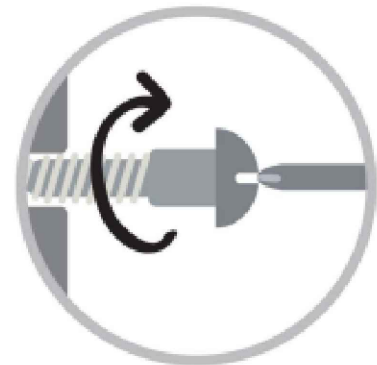
# ASSEMBLY AND CARE ADVICE



**FAILURE TO FOLLOW THE GUIDELINES BELOW MAY RESULT IN INJURY AND/OR PROPERTY DAMAGE.**



Position each part correctly and insert screws or bolts into their respective holes.



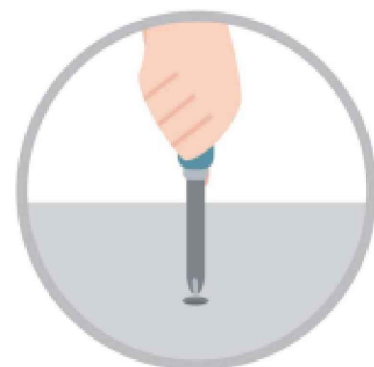
Turn clockwise to tighten and only tighten when step is completed or when instructed to do so.



Use the appropriate hand tools or power tools for assembly. Select steps, such as tightening screws and/or bolts, may require hand tools to avoid causing damage during assembly.



Save the instructions and store any supplied tools for later maintenance.



After two weeks, check and tighten any loose hardware and repeat again every six months thereafter.

**IT IS THE USER'S RESPONSIBILITY TO MAINTAIN THE FURNITURE. THE HARDWARE MAY LOOSEN OVER TIME AND MAY CAUSE THE FURNITURE TO BE WOBBLY AND UNABLE TO SUPPORT ITS INTENDED WEIGHT CAPACITY. THIS MAY LEAD TO COLLAPSE AND MAY CAUSE SERIOUS INJURY.**

# DRESSER



- Please keep instructions for future reference.
- Check the quantity and irregularity of parts and hardware before you start.



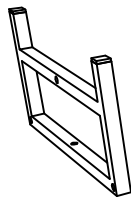
## PARTS

① 1pc



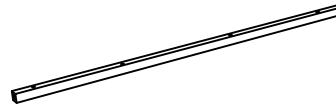
Dresser

② 2pcs



Leg Frame

③ 2pcs



Upper Crossbar

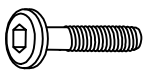
④ 1pc



Lower Crossbar

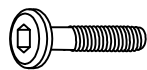
## HARDWARE

Ⓐ 2pcs



Bolt 1/4" x 1-3/16"

Ⓑ 6pcs



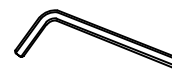
Bolt 1/4" x 1-9/16"

Ⓒ 8pcs



P.H Screw  
m4x32mm

Ⓓ 1pc



Allen Key M4

Ⓔ 2pcs



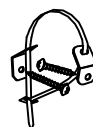
Handle

Ⓕ 2pcs



T.H Screw M4  
x 25mm

Ⓖ 1 set



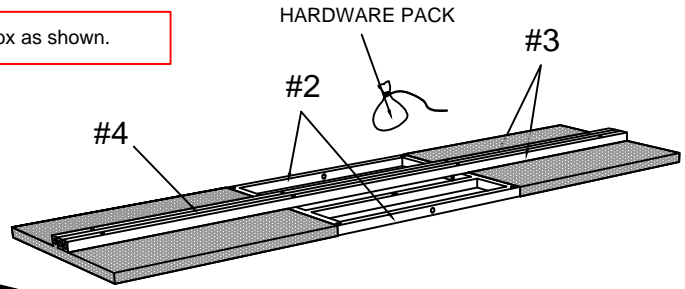
Anti-Tip Kit

# ASSEMBLY INSTRUCTIONS

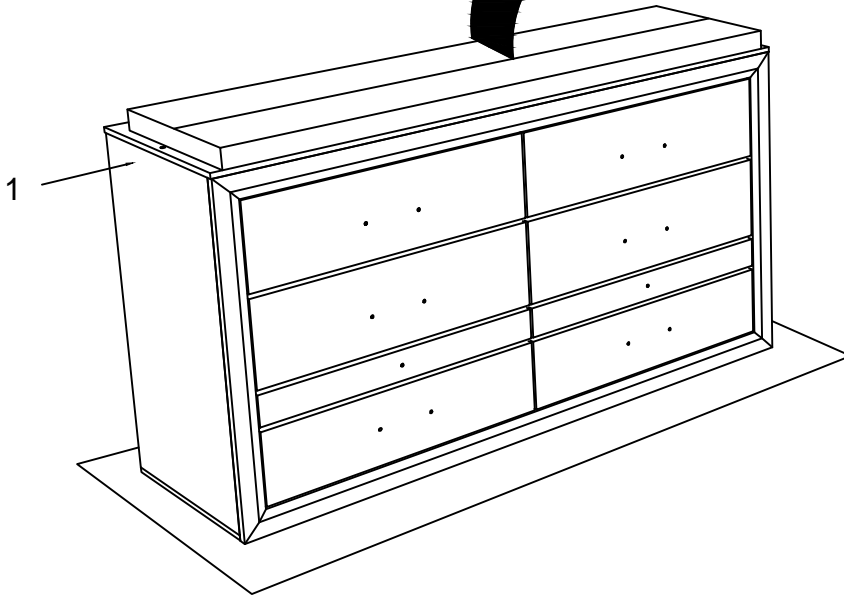
Remove Dresser Metal Leg from Inner box as shown.

## 1

- Part ① x1pc
- Part ② x2pcs
- Part ③ x2pcs
- Part ④ x1pc

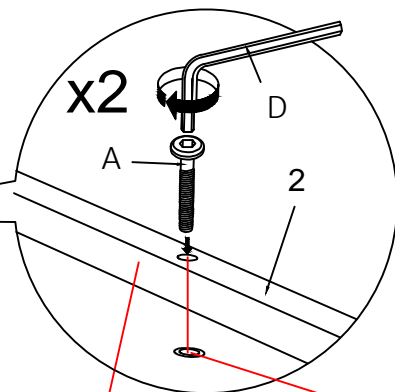
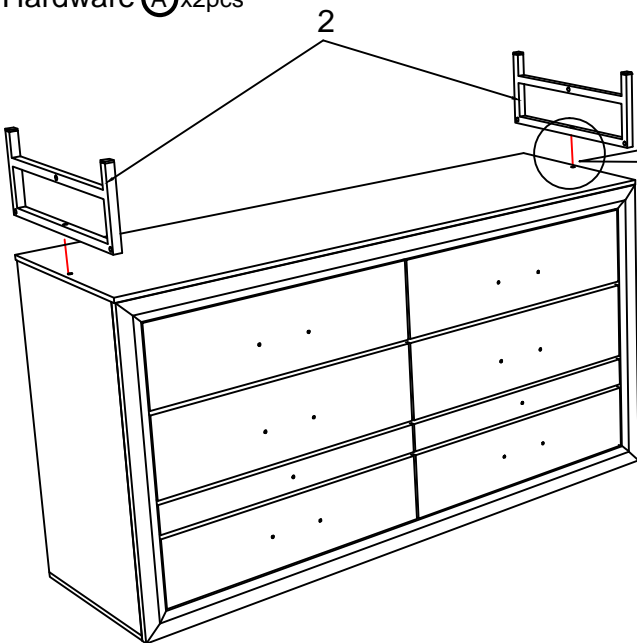


BOTTOM



## 2

Hardware ① x2pcs



D-NUT HOLE

Align side leg frame (2) to the D-nut hole, secure with JCBC (A) tighten with Allen Key (D), DO NOT FULLY TIGHTEN WITHIN THIS STEP.

# ASSEMBLY INSTRUCTIONS

## 3

Hardware **(B)** x6pcs

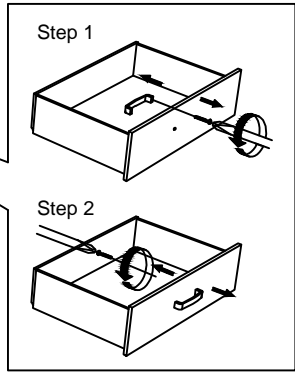
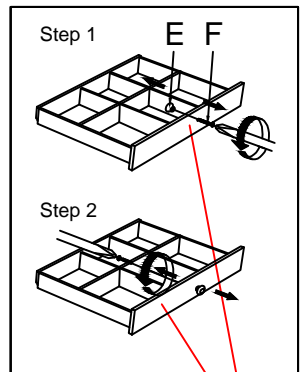
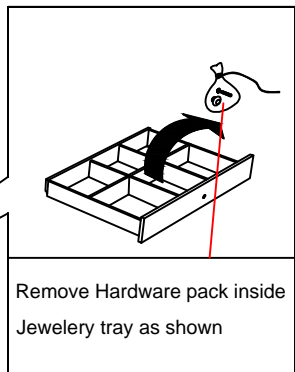
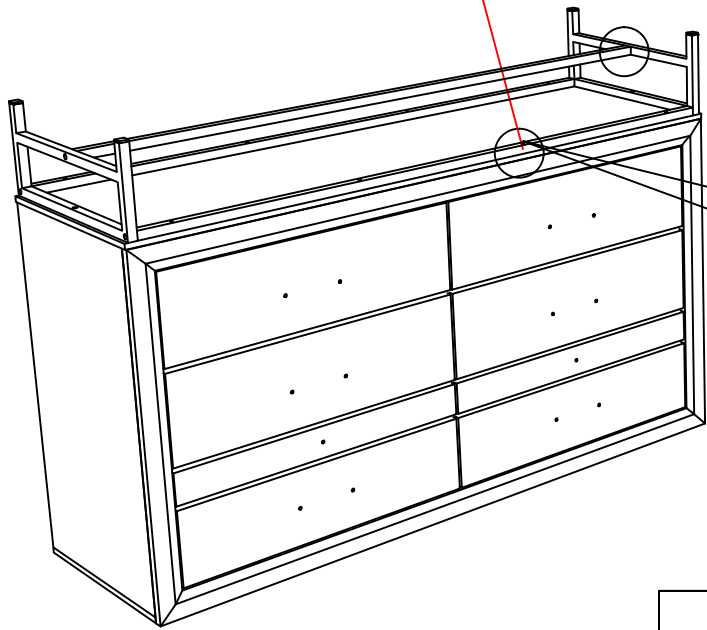
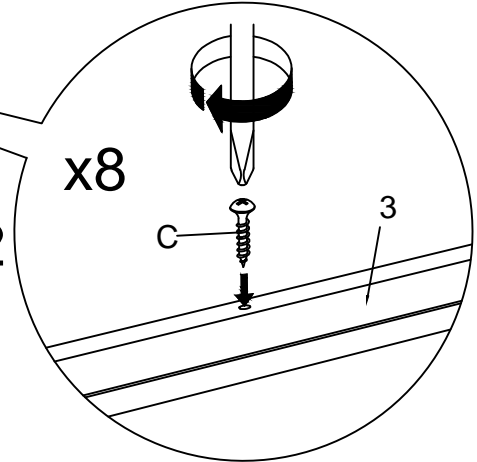
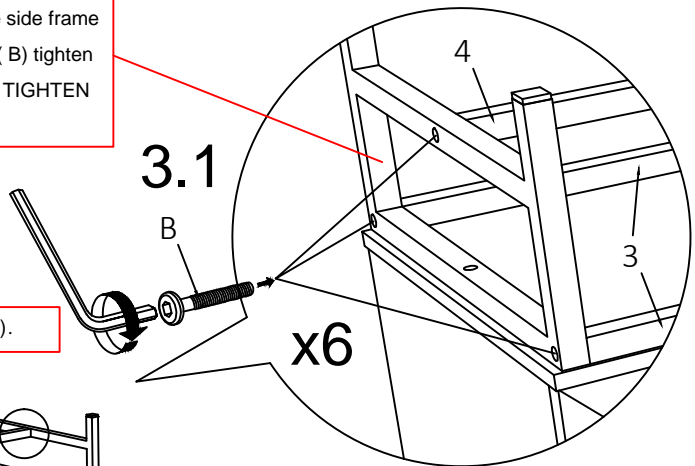
Hardware **(C)** x8pcs

Hardware **(E)** x2pcs

Hardware **(F)** x2pcs

Align side leg front & back frame ( 3 ) and center frame ( 4 ) to the side frame leg ( 2 ), secure with JCBC ( B ) tighten with Allen Key ( D ), FULLY TIGHTEN WITHIN THIS STEP.

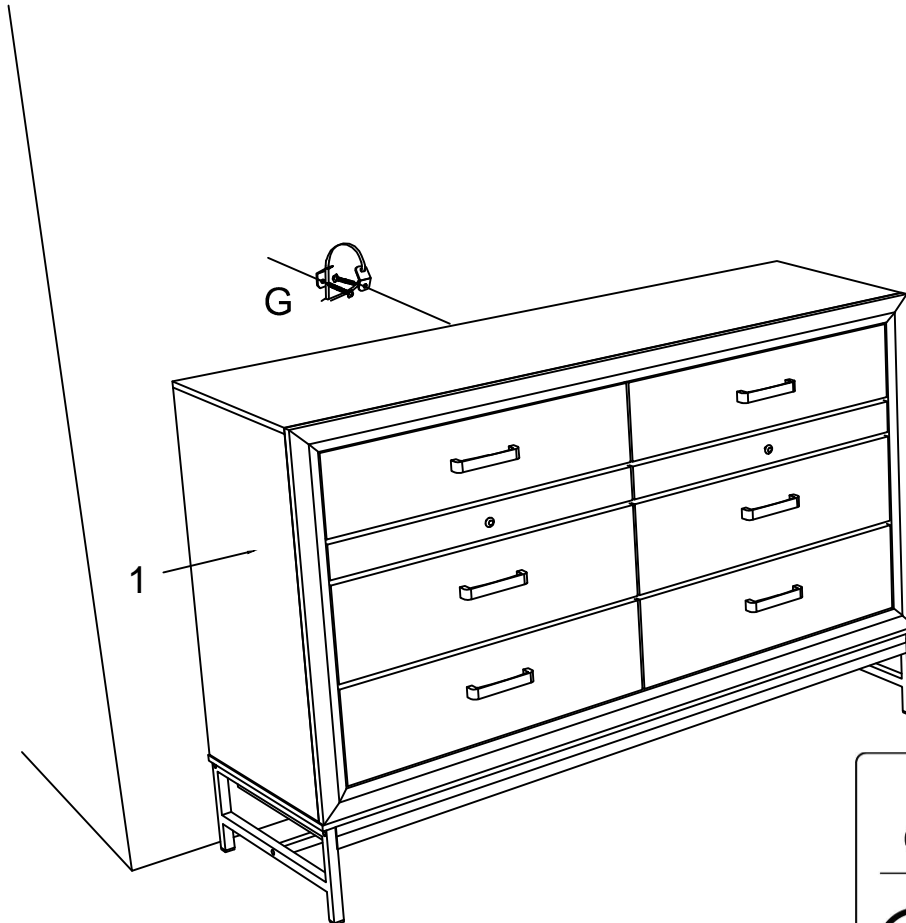
Secure frame leg ( 3 ) by using screws ( C ).



Unscrew knobs to the inside, then secure knobs to the outside of the drawers.

# ASSEMBLY INSTRUCTIONS

Part ① x1pc  
Hardware ⑥ x1set



## ASSEMBLY COMPLETED



Please ensure the furniture rests on an even and flat surface. If the product wobbles or feels loose, double-check all bolts and/or screws are properly tightened and secured.



### Keep this handy!

Please retain this instruction manual and any order-related information for future reference.



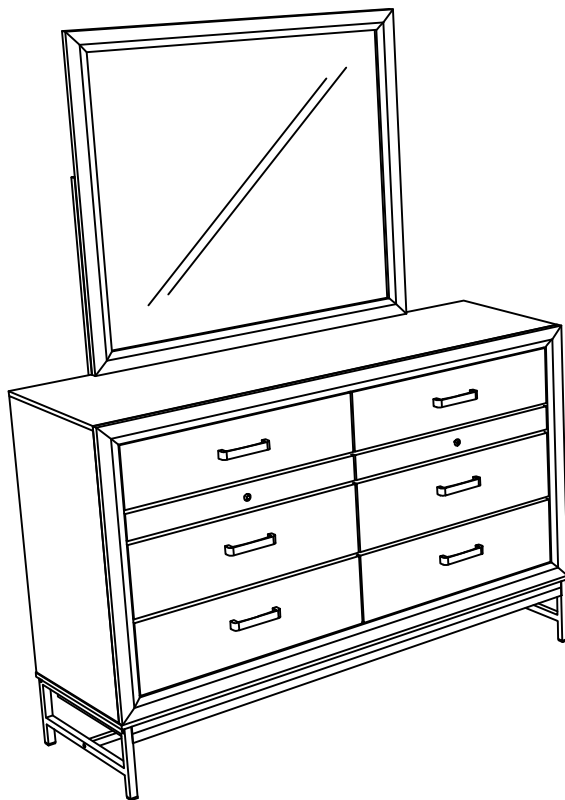
### Lift, don't drag!

To avoid damage to product please always LIFT the product when transporting or adjusting the placement.

This product is intended for RESIDENTIAL USE ONLY and not for commercial use.

# ASSEMBLY INSTRUCTIONS

---

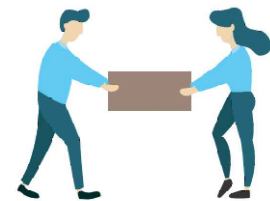


## TOOLS REQUIRED



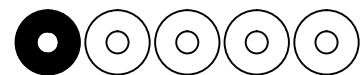
Allen Wrench

(Included)



2 - Persons  
Recommended

## ASSEMBLY RATING



EASY ————— DIFFICULT

The Assembly Rating is a 5-point system showing the level of effort needed to assemble a specific product.



## CHECK BEFORE STARTING

### Are you missing anything?

Double-check all parts, hardware and accessories listed on Page 6 are accounted for.

### Check out our Quick Tips!

We recommend reviewing the pre-assembly handouts. Even experts need a refresher now and then!

### Should we send any replacements?

Are there any irregularities or flaws in the parts? We can send replacements!

### Prep Time!

Please review the assembly instructions and all diagrams prior to assembling. Set up your workspace by laying the parts and hardware out separately, then begin!

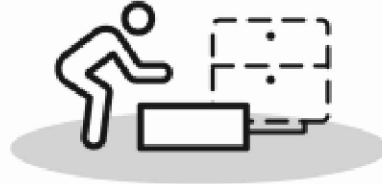
# PRE ASSEMBLY INTRODUCTION

We understand building ready-to-assemble furniture can be a challenging experience for some. To help avoid confusion, we have provided some helpful tips that may speed up the process.



## Teamwork

ALWAYS have at least two people to help with transporting and assembling the product to avoid potential injury and/or damage.



## Suitable Location

Assembling near the area of the intended location is highly recommended.



## Sufficient Space

Make sure you have enough space to move around during the assembly.



## Avoid Scratches

Use cardboard, blankets or a carpeted area while assembling furniture to prevent scratches.



## Flat Surface

Make sure the furniture rests on a flat and level surface with each leg evenly touching the floor.

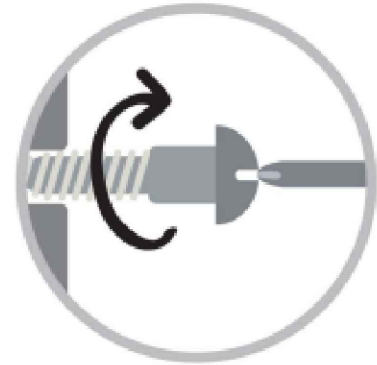
# ASSEMBLY AND CARE ADVICE



**FAILURE TO FOLLOW THE GUIDELINES BELOW MAY RESULT IN INJURY AND/OR PROPERTY DAMAGE.**



Position each part correctly and insert screws or bolts into their respective holes.



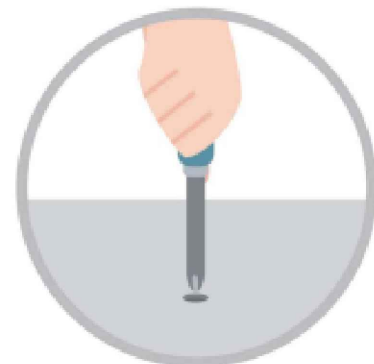
Turn clockwise to tighten and only tighten when step is completed or when instructed to do so.



Use the appropriate hand tools or power tools for assembly. Select steps, such as tightening screws and/or bolts, may require hand tools to avoid causing damage during assembly.



Save the instructions and store any supplied tools for later maintenance.



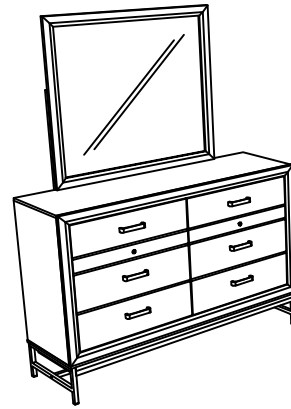
After two weeks, check and tighten any loose hardware and repeat again every six months thereafter.

**IT IS THE USER'S RESPONSIBILITY TO MAINTAIN THE FURNITURE. THE HARDWARE MAY LOOSEN OVER TIME AND MAY CAUSE THE FURNITURE TO BE WOBBLY AND UNABLE TO SUPPORT ITS INTENDED WEIGHT CAPACITY. THIS MAY LEAD TO COLLAPSE AND MAY CAUSE SERIOUS INJURY.**

# DRESSER / MIRROR

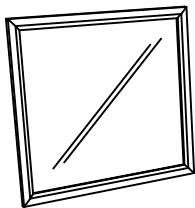


- Please keep instructions for future reference.
- Check the quantity and irregularity of parts and hardware before you start.



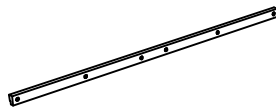
## PARTS

① 1pc



Mirror

② 2pcs



Mirror Support  
(Pack With Dresser)

③ 1pc



Dresser

## HARDWARE

Ⓐ 10pcs



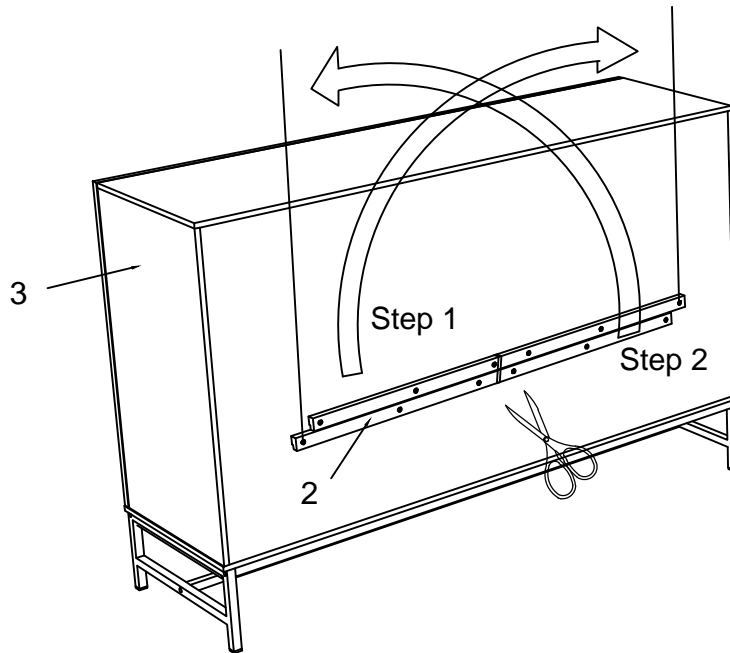
CSK m4 x 32mm

# ASSEMBLY INSTRUCTIONS

Cut Raffia String that attached to mirror support, Slide the mirror support ( 2) to upright position by follow the step shown.

1

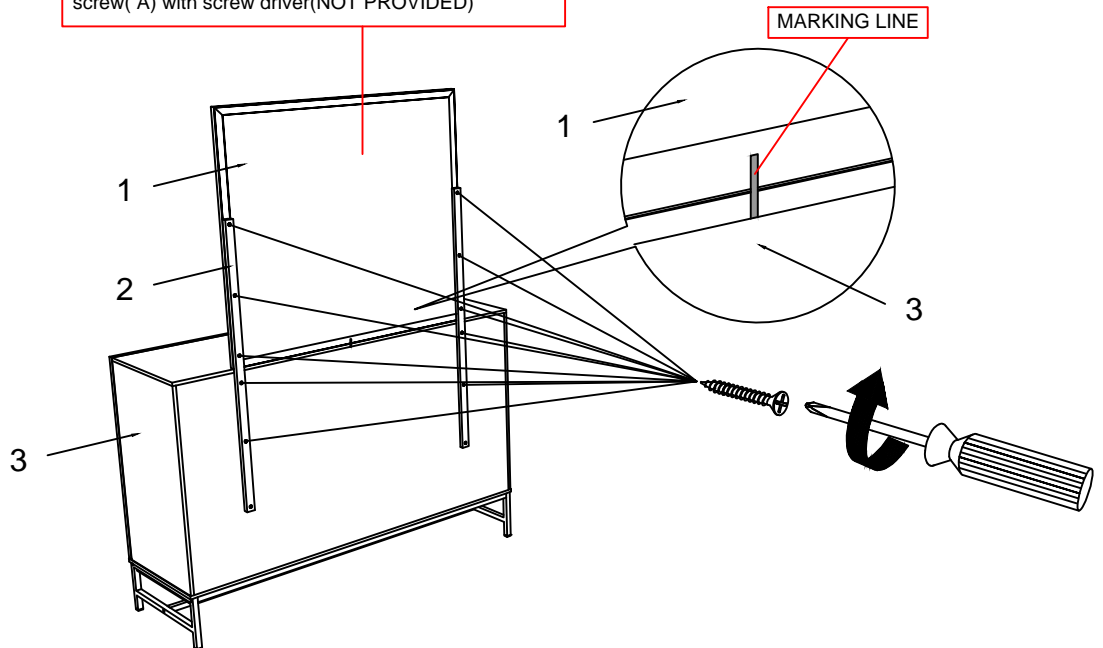
Part ② x2pcs  
Part ③ x1pc



2

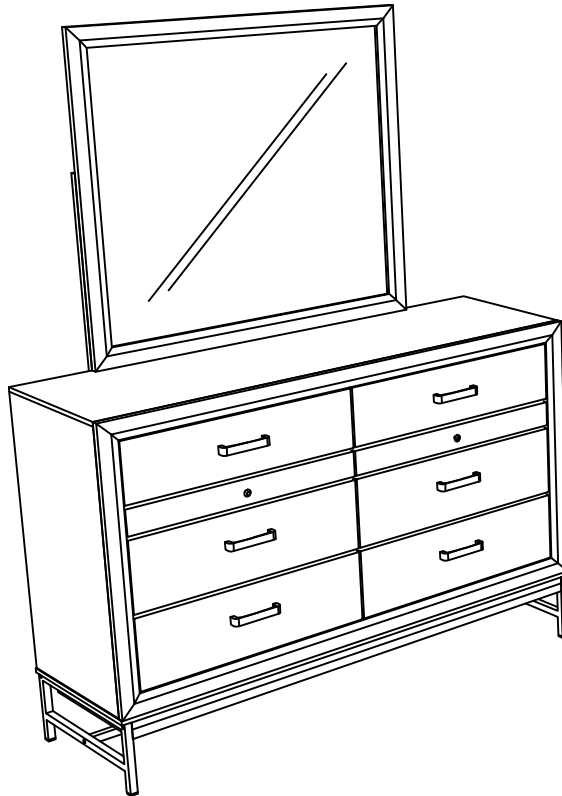
Part ① x1pc  
Hardware ④ x10pcs

Place Mirror ( 1) on the top of dresser ( 3) by follow the center marking line as shown. Secure mirror ( 1) with screw ( A) with screw driver (NOT PROVIDED)



# ASSEMBLY INSTRUCTIONS

3



## ASSEMBLY COMPLETED



Please ensure the furniture rests on an even and flat surface. If the product wobbles or feels loose, double-check all bolts and/or screws are properly tightened and secured.



### Keep this handy!

Please retain this instruction manual and any order-related information for future reference.



### Lift, don't drag!

To avoid damage to product please always LIFT the product when transporting or adjusting the placement.

This product is intended for RESIDENTIAL USE ONLY and not for commercial use.