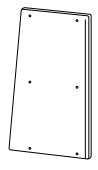



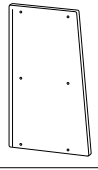

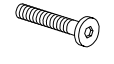

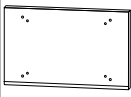




## **Cleaning**

Wipe with a damp cloth and mild soap. Dry with soft, lint free cloth.

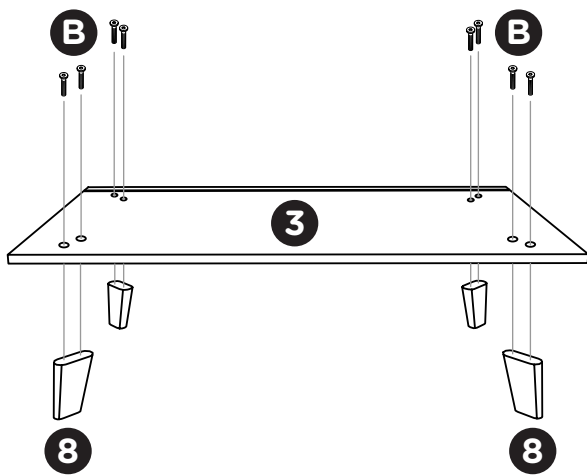
# ASSEMBLY INSTRUCTIONS

ITEM	PARTS	QTY	ITEM	PARTS	QTY	ITEM	HARDWARE	QTY
<b>1</b>		1 PC	<b>4</b>		1 PC	<b>A</b>		12 PCS
	<b>5</b>			1 PC				
<b>2</b>		1 PC	<b>6</b>		1 PC	<b>B</b>		8 PCS
	<b>7</b>			1 PC				
<b>3</b>		1 PC	<b>8</b>		4 PCS			

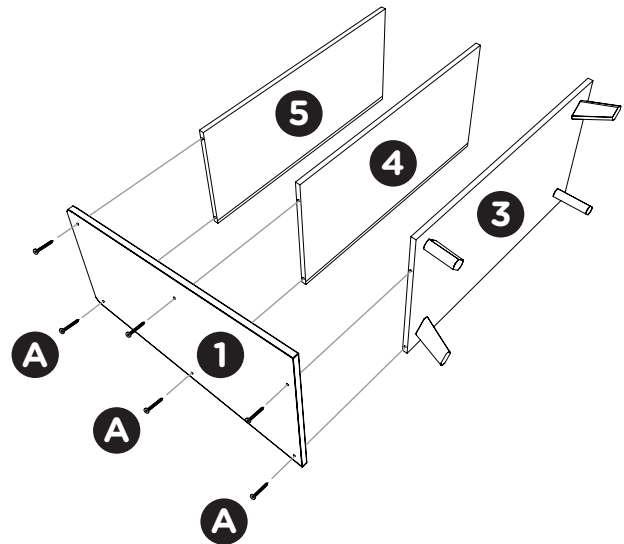


**FULLY SET-UP**

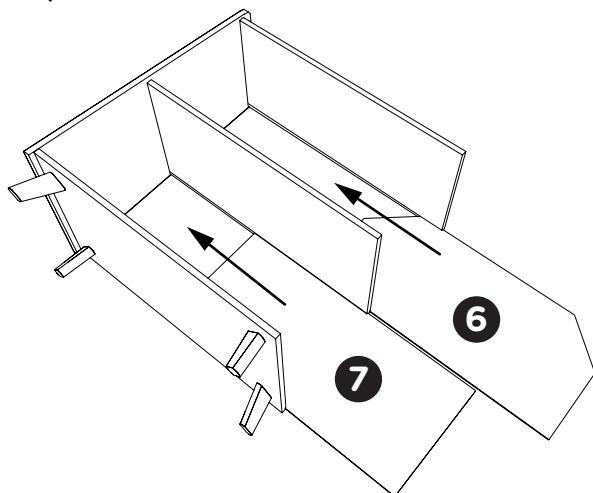
## Step 1



## Step 2



## Step 3



## Step 4

