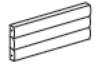


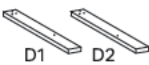





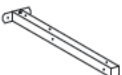
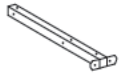





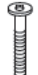







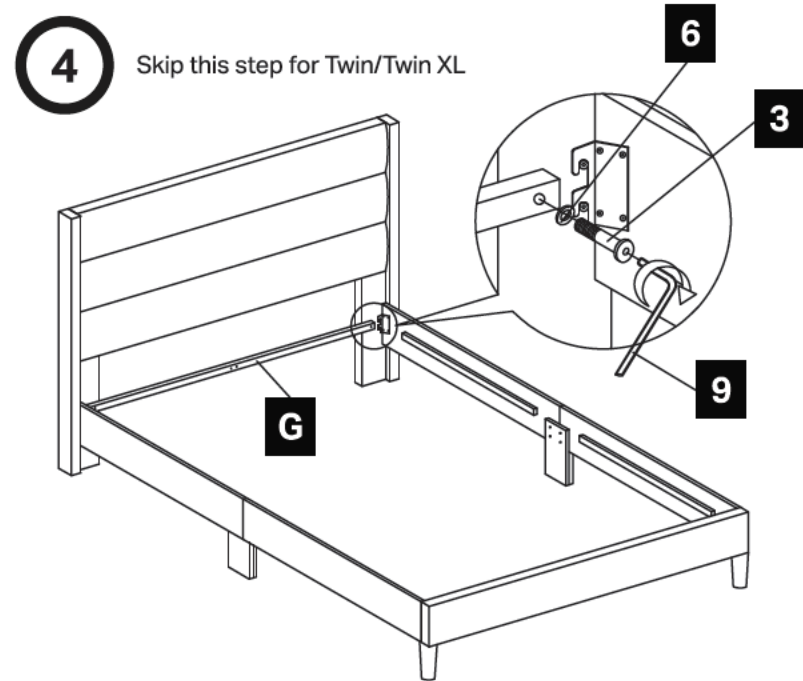
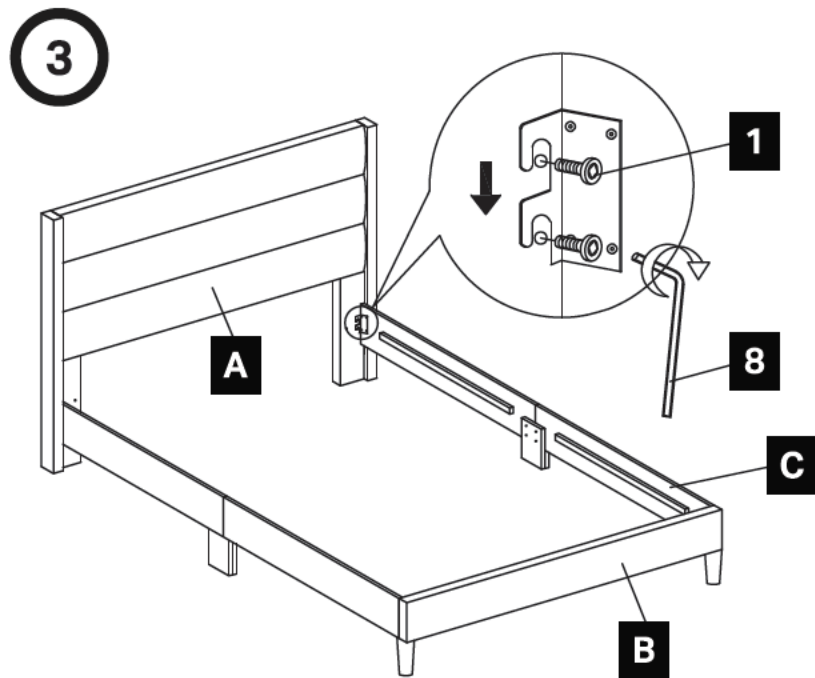
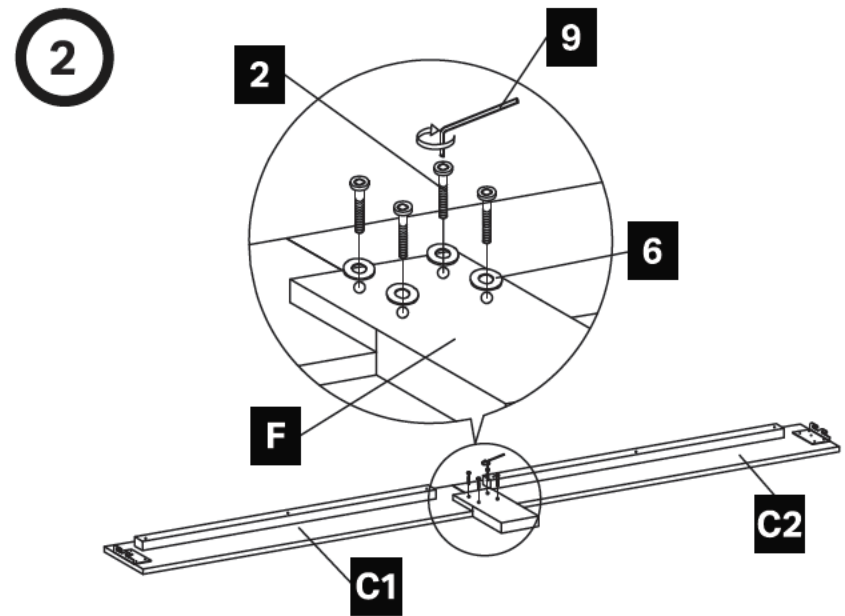
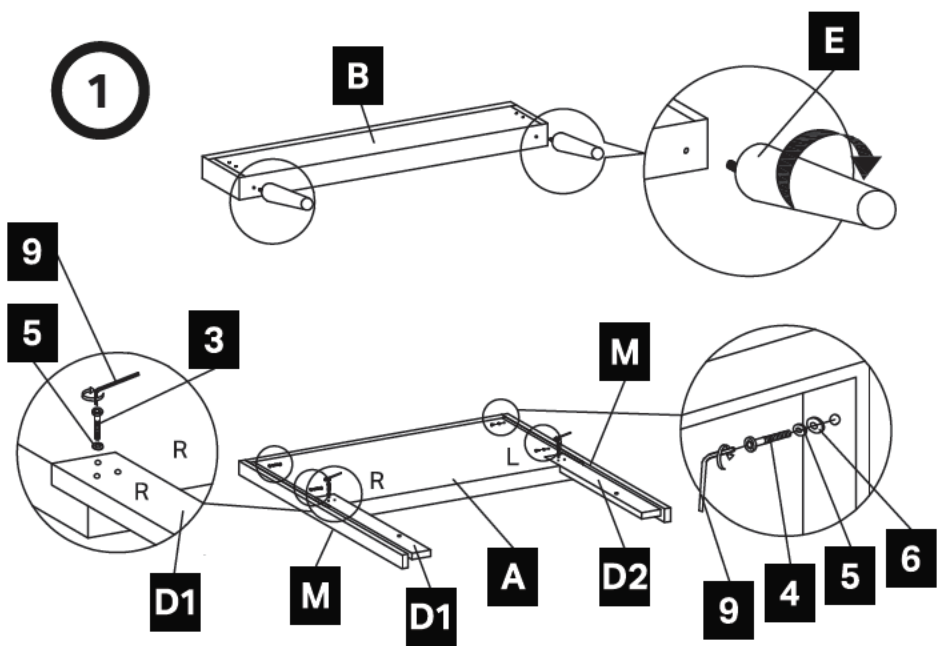
Assembly Instructions

A		Headboard	1 pc.
B		Footboard	1 pc.
C		Side Rails	4 pcs.
D		Headboard Legs	2 pcs.
E		Footboard Legs	2 pcs.
F		Side Rail Legs	2 pcs.
G		Head Rail	0 pcs. - Twin/Twin XL 1 pc. - Full/Queen King/Cal King
H		Center Support Leg	0 pcs. - Twin/Twin XL 1 pc. - Full/Queen 2 pcs. - King/Cal King
I		Support Legs	0 pcs. - Twin/Twin XL 2 pcs. - Full/Queen 4 pcs. - King/Cal King
J		Center Support Rail (Head)	0 pcs. - Twin/Twin XL 1 pc. - Full/Queen 2 pcs. - King/Cal King
K		Center Support Rail (Foot)	0 pcs. - Twin/Twin XL 1 pc. - Full/Queen 2 pcs. - King/Cal King
L		Bed Slats	2 Sets
M		Headboard Wings	2 pcs.

1		M8x20mm Bolts	8 pcs.
2		M6x30mm Bolts	8 pcs. - Twin/Twin XL 12 pcs. - Full/Queen 16 pcs. - King/Cal King
3		M6x35mm Bolts	6 pcs. - Twin/Twin XL 16 pcs. - Full/Queen 24 pcs. - King/Cal King
4		M6x45mm Bolts	4 pcs.
5		Spring Washers	10 pcs.
6		Flat Washers	12 pcs. - Twin/Twin XL 14 pcs. - Full/Queen King/Cal King
7		32mm Wood Screws	24 pcs. - Twin/Full 28 pcs. - Twin XL/Queen King/Cal King
8		70mm Allen Key	1 pc.
9		65mm Allen Key	1 pc.

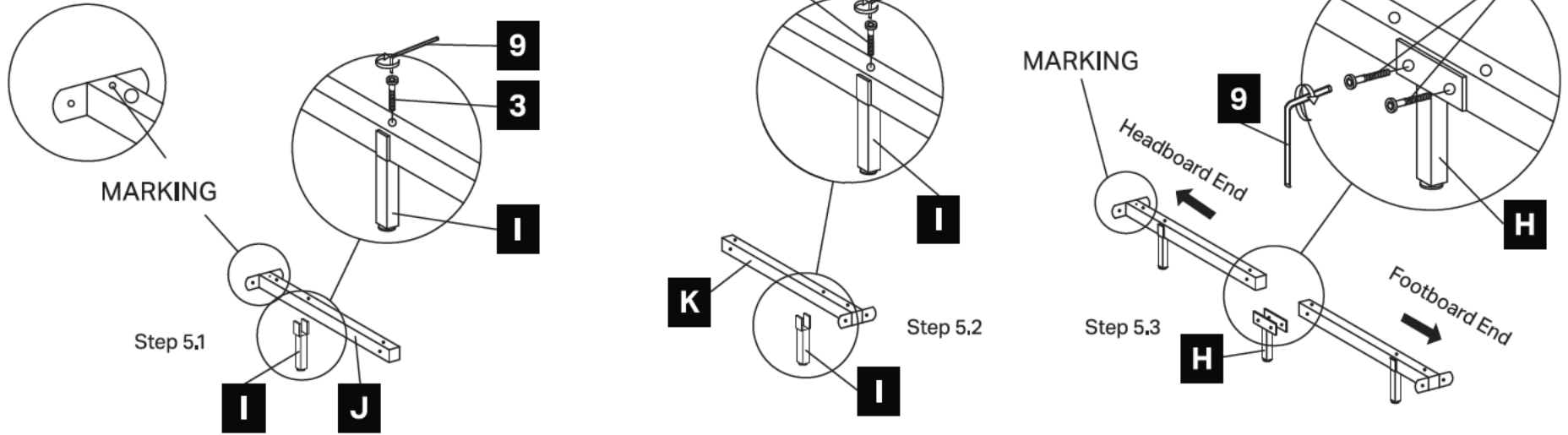
TOOLS NEEDED: Phillips Screwdriver





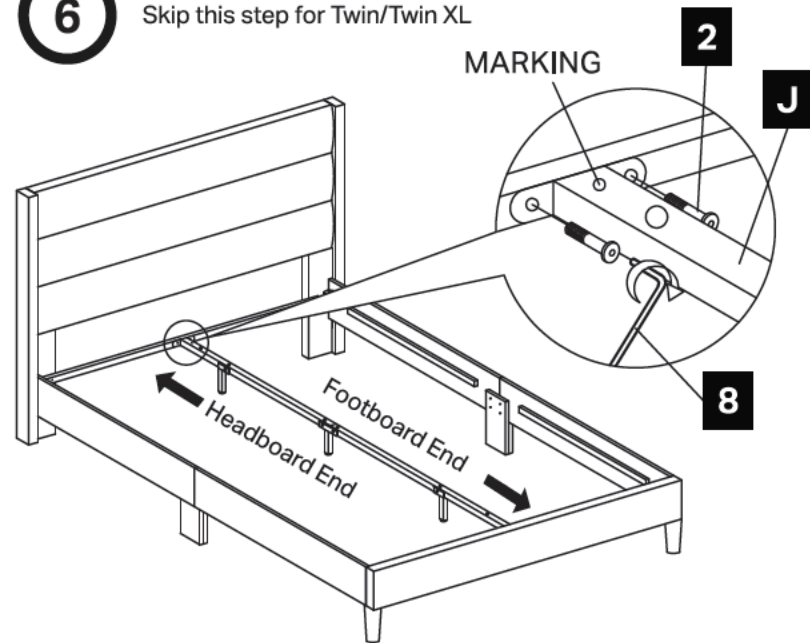
5

Skip this step for Twin/Twin XL

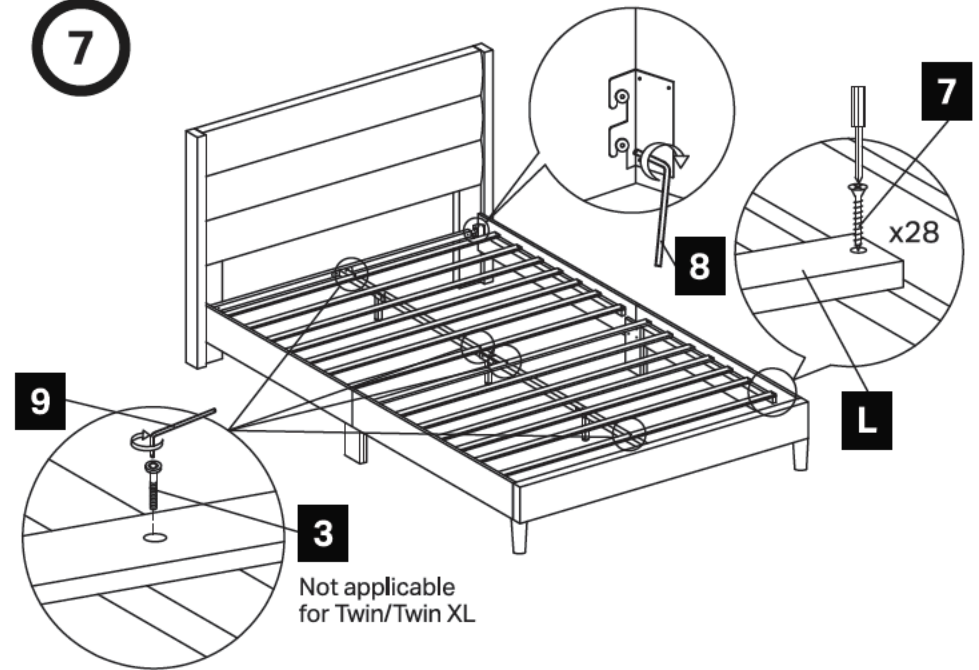


6

Skip this step for Twin/Twin XL



7



2-Year Limited Warranty

What is Covered

This warranty covers any defects in materials or workmanship, with the exceptions stated below.

How Long Coverage Lasts

This warranty runs for two (2) years from the date of purchase.

What is Not Covered

The warranty applies only to the original purchaser and does not cover: (a) wear and tear; (b) improper maintenance, misuse, or alteration; (c) repair by unauthorized representatives; (d) damage resulting from transit or handling; or (e) transportation costs.

What We Will Do

At our sole discretion we will repair, replace, or refund any product that proves to be defective in materials or workmanship.

How State Law Applies

This warranty gives you specific legal rights, and you may also have other rights which vary from state to state.

The foregoing warranty shall be exclusive and in lieu of any other warranty, express or implied, including warranties of merchantability and fitness for a particular purpose and all other warranties otherwise arising by operation of law, course of dealing, custom, trade, or otherwise. Neither the seller nor the manufacturer shall be liable for any injury, loss or damage, direct or consequential arising out of the use or inability to use this product.