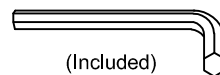


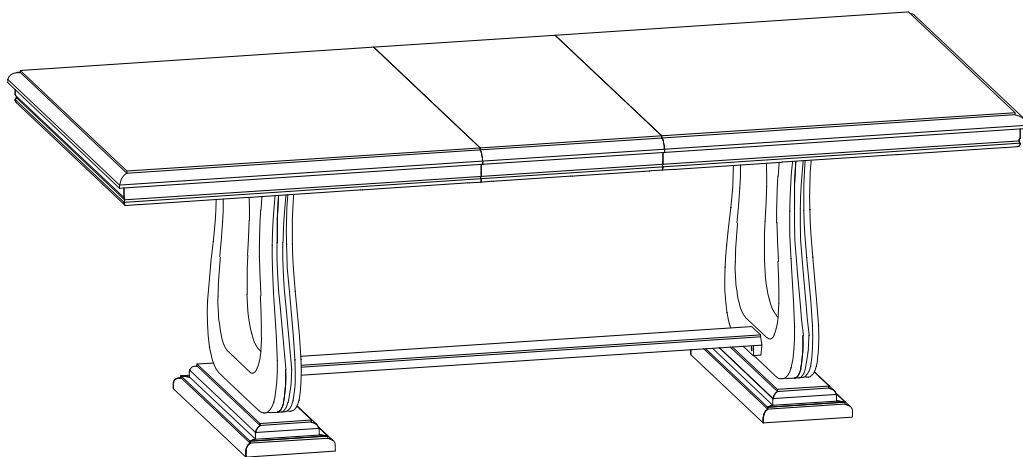
ASSEMBLY INSTRUCTIONS

TOOLS REQUIRED



(Included)

Allen Wrench



2 - People

ASSEMBLY RATING



EASY —————> DIFFICULT

The Assembly Rating is a 5-point system showing the level of effort needed to assemble a specific product.



CHECK BEFORE STARTING

Are you missing anything?

Double-check all parts, hardware and accessories listed are all accounted for.

Check out our Quick Tips!

We recommend reviewing the pre-assembly handouts. Even experts need a refresher now and then!

Should we send any replacements?

Are there any irregularities or flaws in the parts? We can send replacements!

Prep Time!

Please review the assembly instructions and all diagrams prior to assembling.

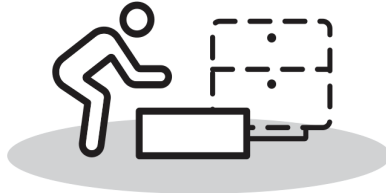
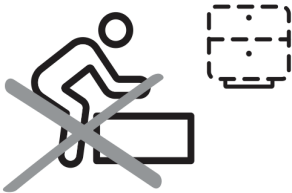
PRE ASSEMBLY INTRODUCTION

We understand building ready-to-assemble furniture can be a challenging experience for some. To help avoid confusion, we have provided some helpful tips that may speed up the process.



Teamwork

ALWAYS have at least two people to help with transporting and assembling the product to avoid potential injury and/or damage.



Suitable Location

Assembling near the area of the intended location is highly recommended.



Sufficient Space

Make sure you have enough space to move around during the assembly.



Avoid Scratches

Use cardboard, blankets or a carpeted area while assembling furniture to prevent to prevent scratches and damages.



Flat Surface

Make sure the furniture rests on a flat and level surface with each leg evenly touching the floor.

ASSEMBLY AND CARE ADVICE



FAILURE TO FOLLOW THE GUIDELINES BELOW MAY RESULT IN INJURY AND/OR PROPERTY DAMAGE.



Position each part correctly and insert screws or bolts into their respective holes.



Turn clockwise to tighten and only tighten when step is completed or when instructed to do so.



Use the appropriate hand tools or power tools for assembly. Select steps, such as tightening screws and/or bolts, may require hand tools to avoid causing damage during assembly.



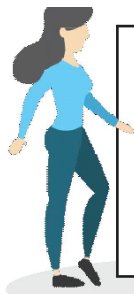
Save the instructions and store any supplied tools for later maintenance.



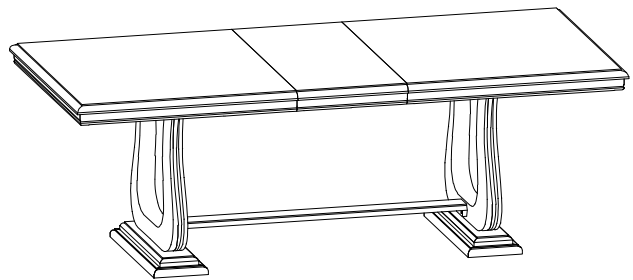
After two weeks, check and tighten any loose hardware and repeat again every six months thereafter.

IT IS THE USER'S RESPONSIBILITY TO MAINTAIN THE FURNITURE. THE HARDWARE MAY LOOSEN OVER TIME AND MAY CAUSE THE FURNITURE TO BE WOBBLY AND UNABLE TO SUPPORT ITS INTENDED WEIGHT CAPACITY. THIS MAY LEAD TO COLLAPSE AND MAY CAUSE SERIOUS INJURY.

DINING TABLE

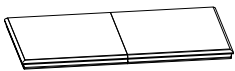


- Please keep instructions for future reference.
- Check the quantity and irregularity of parts and hardware before you start.



PARTS

1



TOP TABLE
1 pc.

2



MIDDLE TOP TABLE
1 pc.

3



MOUTING PLATE
2 pcs.

4



LEG
2 pcs.

5



CROSSBAR
1 pc.

6



BASE
2 pcs.

HARDWARE

A



Bolt $\text{\O}5/16'' \times 2''$
22 pcs.

B



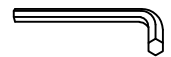
Lock Washer $\text{\O}5/16''$
22 pcs

C

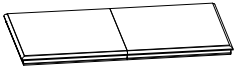











Flat Washer $\text{\O}5/16''$
22 pcs

D



Allen Wrench M4
1 pc

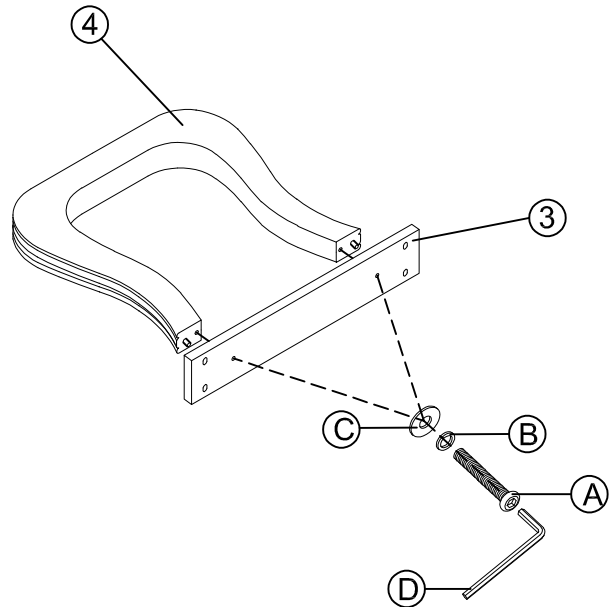
Carton	Designation	Part		Hardware
	Top Table	①		 ① A 22pcs  ② B 22pcs
	Middle Top Table	②		 ③ C 22pcs  ④ D 1pc
	Mounting Plate	③		
	Legs	④		
	Crossbar	⑤		
	Base	⑥		

ASSEMBLY INSTRUCTIONS

1

- Part ③ x 2pcs
- Part ④ x 2pcs
- Hardware ① x 4pcs
- Hardware ② x 4pcs
- Hardware ③ x 4pcs
- Hardware ④ x 1pc

1. Prepare 4 bolt assemblies by first inserting a lock washer (B) onto the bolt (A) then a flat washer (C) onto that same bolt (A) .

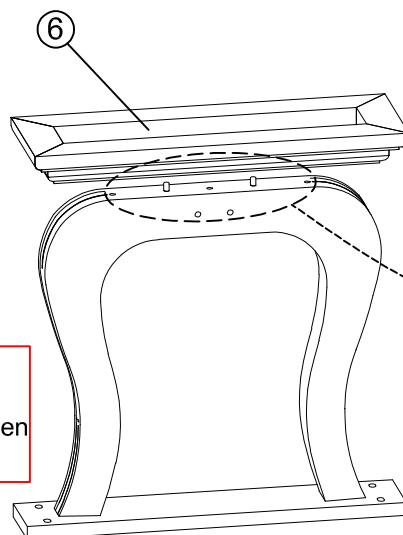


2. Align 2 wooden dowel of legs (4) to the mounting plate (3), then assemble the mounting plate and the legs by bolt (A) with washer (B),(C) using Allen wrench (D)

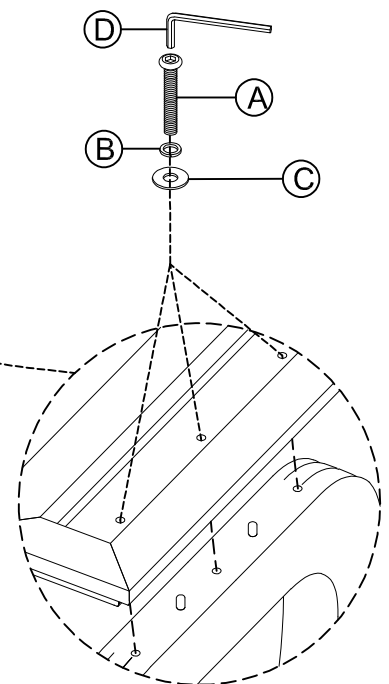
2

- Part ⑥ x 2pcs
- Hardware ① x 6pcs
- Hardware ② x 6pcs
- Hardware ③ x 6pcs
- Hardware ④ x 1pc

1. Prepare 6 bolt assemblies by first inserting a lock washer (B) onto the bolt (A) then a flat washer (C) onto that same bolt (A) .



2. Align 2 wooden dowel of legs (4) to the base (6), then assemble the base and the legs by bolt (A) with washer (B),(C) using Allen wrench (D)



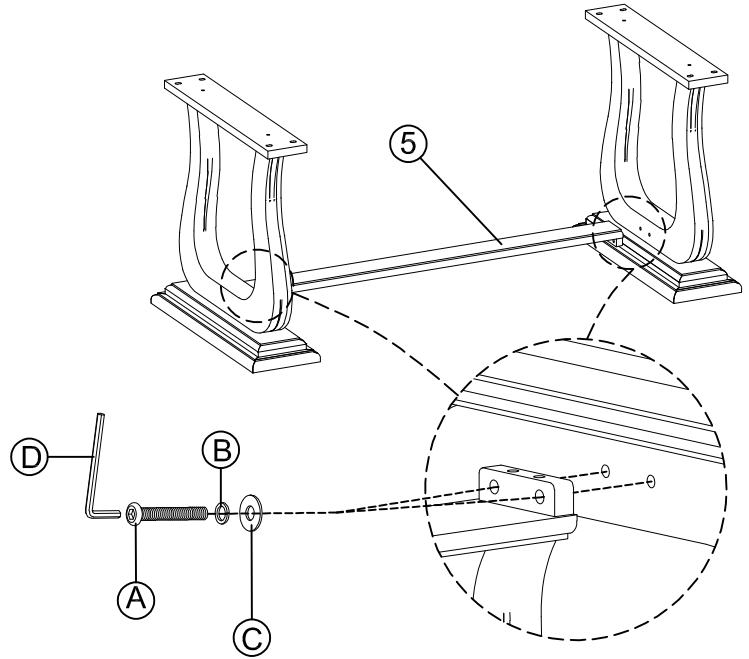
ASSEMBLY INSTRUCTIONS

3

- Part ③ x 1pc
- Hardware ① x 4pcs
- Hardware ② x 4pcs
- Hardware ③ x 4pcs
- Hardware ④ x 1pc

1. Prepare 4 bolt assemblies by first inserting a lock washer (B) onto the bolt (A) then a flat washer (C) onto that same bolt (A) .

2. Plate the crossbar on the middle two the legs frame, then assemble the crossbar and the legs frame by bolt (A) with washer (B),(C) using Allen wrench (D)



4

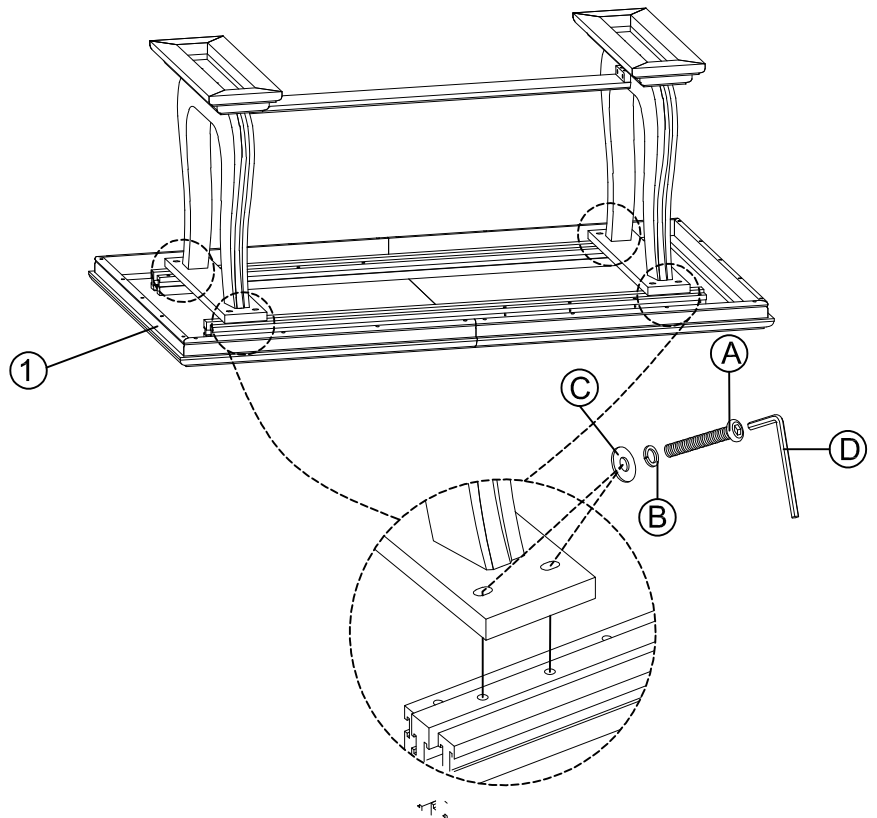
- Part ① x 1pc
- Hardware ① x 8pcs
- Hardware ② x 8pcs
- Hardware ③ x 8pcs
- Hardware ④ x 1pc

1. Prepare 4 bolt assemblies by first inserting a lock washer (B) onto the bolt (A) then a flat washer (C) onto that same bolt (A) .

2. Place the top table (1) face down onto a protected surface

3. Place the leg frame on the top table (1). Align the mounting plate of legs with the top table.

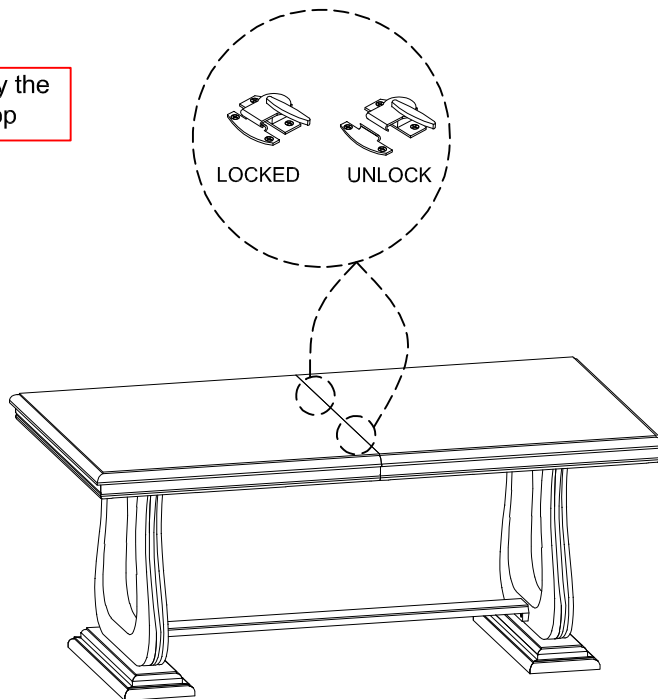
4. Assemble the mounting plate and the top table by bolt (A) with washer (B),(C) using Allen wrench (D)



ASSEMBLY INSTRUCTIONS

5

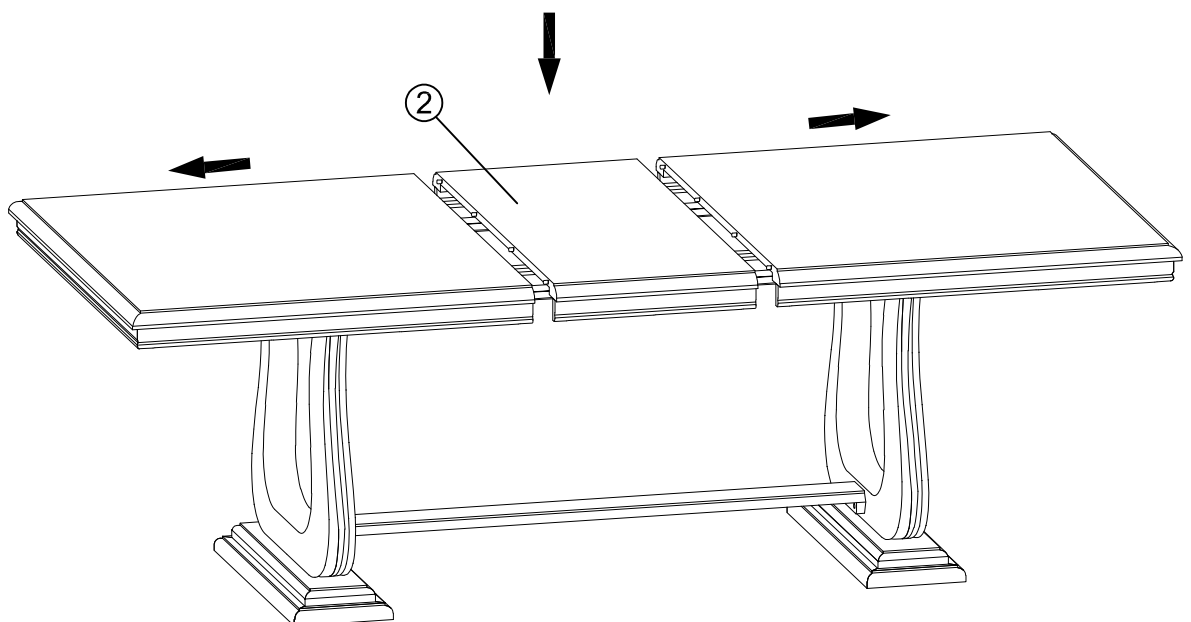
Open and lock the top table by the lock located below the table top



6

Part ② x 1pc

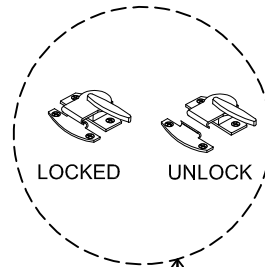
Open the top table, pull it out to both sides, then place the leaf of table top (2) on the table



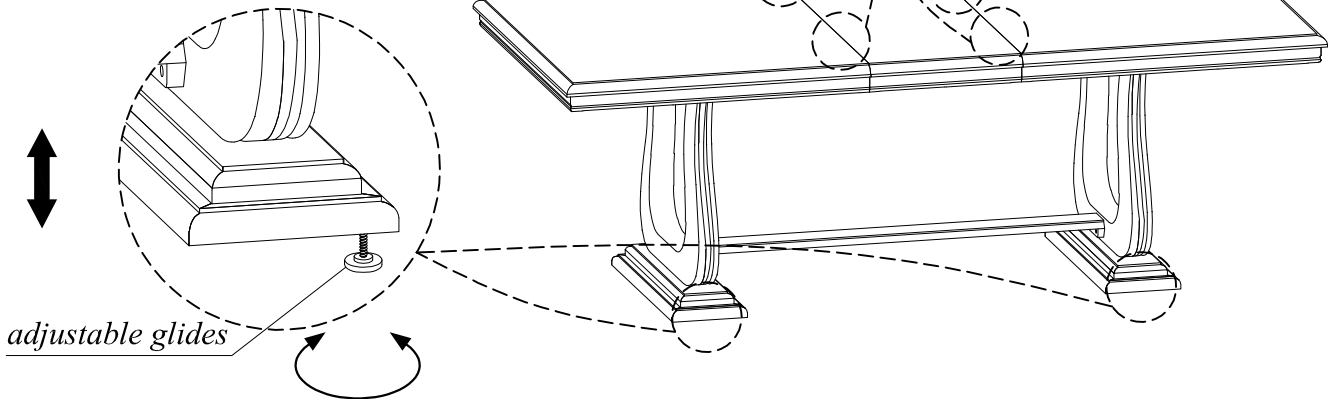
ASSEMBLY INSTRUCTIONS

7

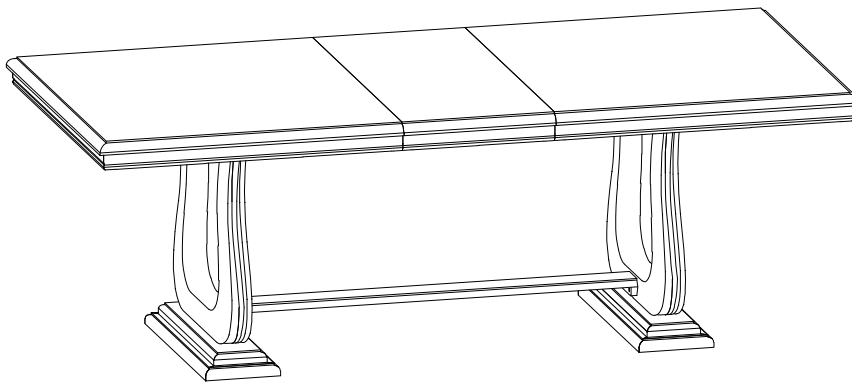
Open and lock the top table by the lock located below the table top



Place the table on a flat surface and twist the levelers on the bottom of the table legs



8



ASSEMBLY COMPLETED



Please ensure the furniture rests on an even and flat surface. If the product wobbles or feels loose, double-check all bolts and/or screws are properly tightened and secured.

✓ Keep this handy!

Please retain this instruction manual and any order-related information for future reference.

✓ Lift, don't drag!

To avoid damage to product please always LIFT the product when transporting or adjusting the placement.

This product is intended for RESIDENTIAL USE ONLY and not for commercial use.