

PLEASE READ INSTRUCTIONS COMPLETELY BEFORE ASSEMBLY

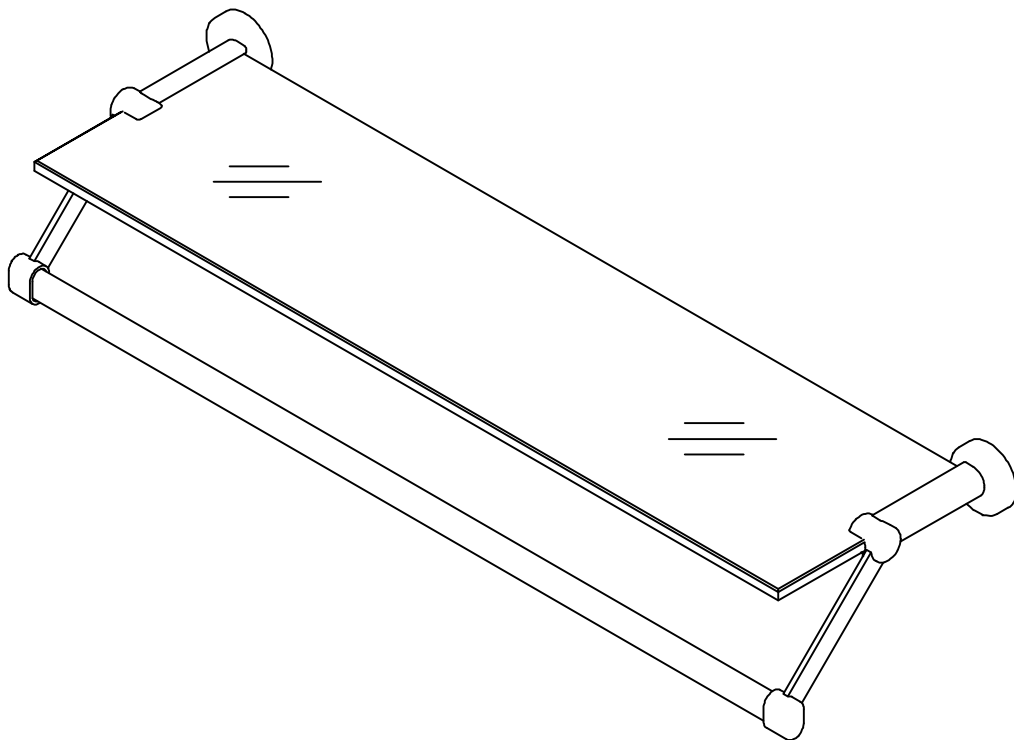
#	①	②	③	④	⑤	⑥	⑦	⑧	Template
P A R T S									
QTY	1	1	LHX1 RX 1	2	2	4	4	2	1

Please note: Part #4, 5 & 8 has already been attached on to part #3.

In order to avoid missing parts, please do not detach part #4, 5 from part #3 until step B.

Do not detach part #8 from part #3 until step E."

Caution: when removing part #5 (small screw) from part #3, please secure in safe place while assembling so that it does not get lost.

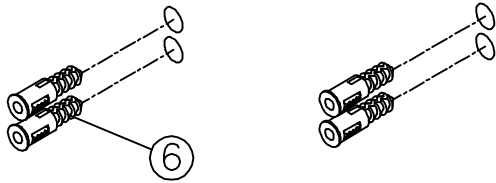


Please Note Parts Request:

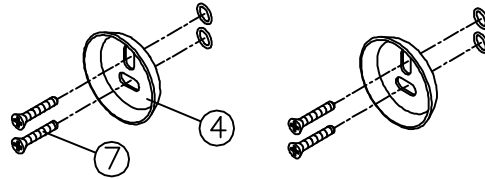
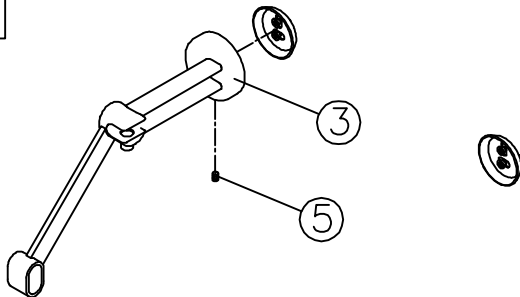
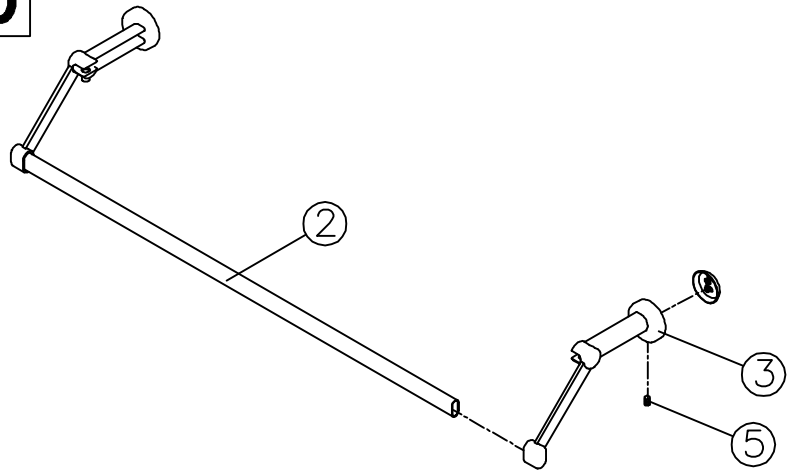
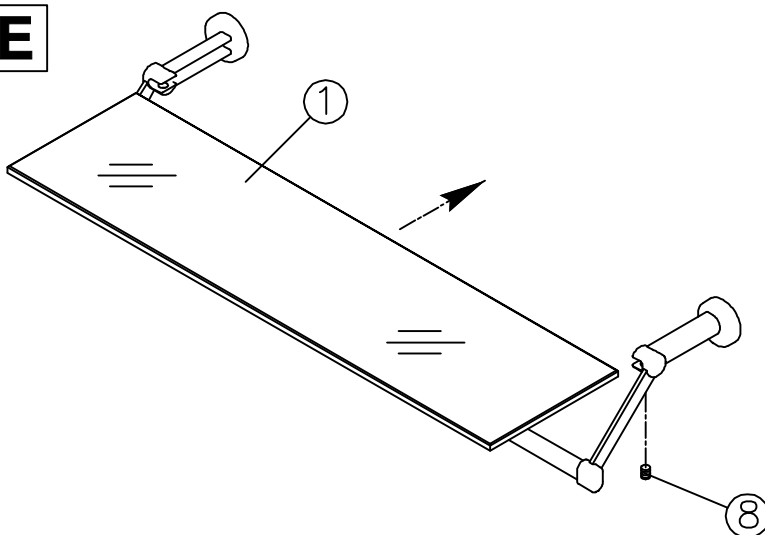
We will accept missing parts requests with proof of purchase only, and within 30 days of purchase.

Return merchandise:

All return merchandise must be returned directly to the store not manufacturer with proof of purchase.

A

Please note: need to pre-drill holes with a 1/4" drill bit before installing wall anchors (part #6) into the wall. Please look for the paper Mounting Template as guideline.

B**C****D****E**

Please note: Part #8 (screw) should be loosened from part #3 (hinges) first before placing the glass shelf on hinges. After glass is settled, part #8 screws may now be tightened.