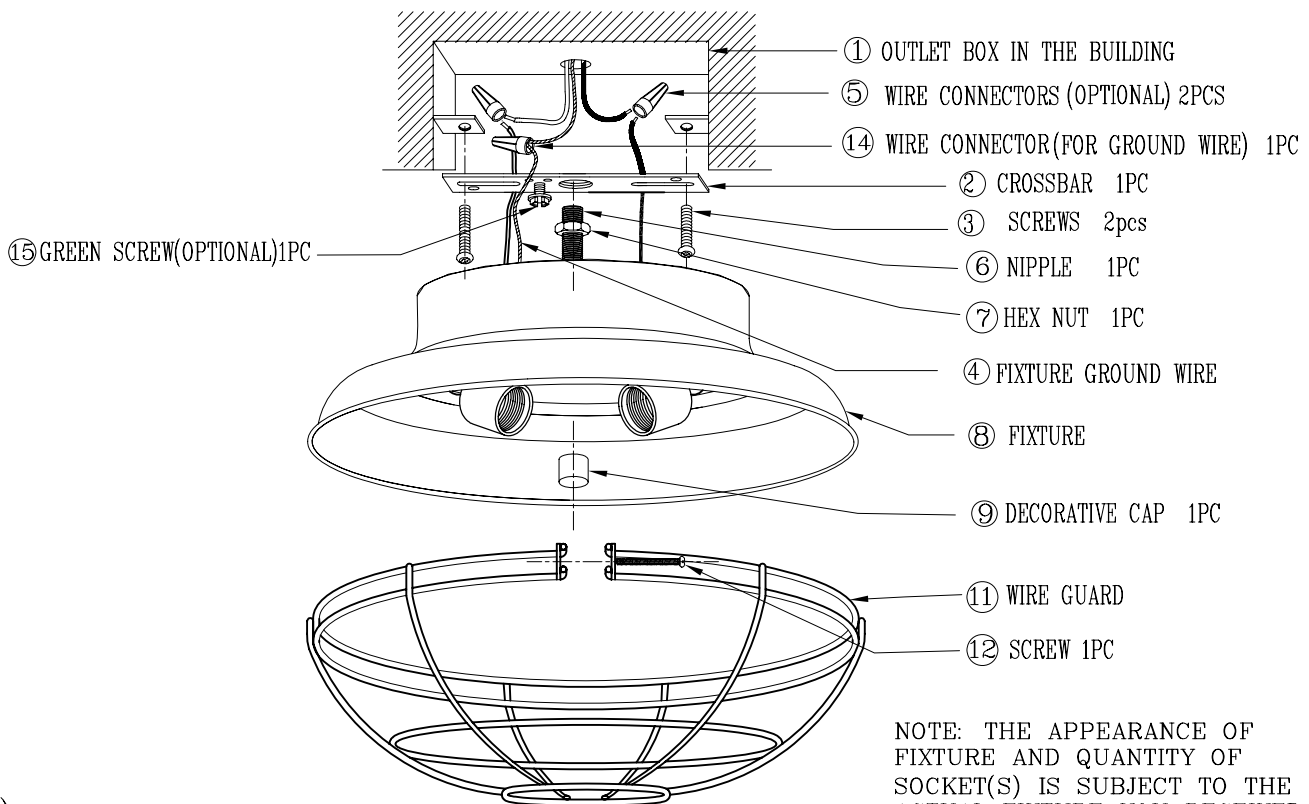


# FIGURE



NOTE: THE APPEARANCE OF FIXTURE AND QUANTITY OF SOCKET(S) IS SUBJECT TO THE ACTUAL FIXTURE YOU RECEIVED, WHICH IS DIFFERENT FROM THE FIGURE IN THIS INSTRUCTION SHEET, BUT IN SAME INSTALLING WAY AS BELOW.

## (3) INSTALLING WAY:

- ① OUTLET BOX IN THE BUILDING
- ② CROSSBAR 1pc:
- ③ SCREWS 2PCS : FASTEN ② CROSSBAR TO ① OUTLET BOX WITH ③ SCREWS
- ④ FIXTURE GROUND WIRE : TWIST ④ FIXTURE GROUND WIRE AND GROUND WIRE FROM OUTLET BOX, FIX THEM WITH ⑭ WIRE CONNECTOR (PROVIDED).
- ⑤ WIRE CONNECTORS 2PCS(OPTIONAL): CONNECT FIXTURE WIRE WITH SUPPLY WIRE TOGETHER.
- ⑥ NIPPLE 1PC: INSERT ⑥ NIPPLE INTO CENTRAL HOLE OF ② CROSSBAR AND ADJUST TO SUITABLE LENGTH.
- ⑦ HEX NUT 1PC: FASTEN ⑦ HEX NUT AGAINST ⑥ NIPPLE, SO THE NIPPLE WILL NOT ROLL AGAIN.
- ⑧ FIXTURE
- ⑨ DECORATIVE CAP 1PC ATTACH ⑧ FIXTURE AGAINST THE CEILING, MAKE ⑥ NIPPLE PASS THROUGH THE CENTER OF ⑧ FIXTURE THEN FIX ⑧ FIXTURE ON CEILING BY SCREWING ⑨ DECORATIVE CAP ON ⑥ NIPPLE.
- ⑩ TURN ON ELECTRICITY AFTER ASSEMBLING THE BULBS TO TEST IF THE ELECTRICITY CAN WORK NORMALLY. (MAKE SURE THE BULBS CAN WORK)
- ⑪ WIRE GUARD 1PC: DRAW APART THE CUT OF ⑪ WIRE GUARD AT OPPOSITE DIRECTION BY HAND SO AS TO MAKE IT LARGE ENOUGH TO LET SHADE ON ⑧ FIXTURE SNAP IN, THEN FIX ⑪ WIRE GUARD WITH ⑫ SCREW TO PREVENT IT FALLING OFF.

# READ AND SAVE THIS INSTRUCTION SHEET

## (1) ATTENTION

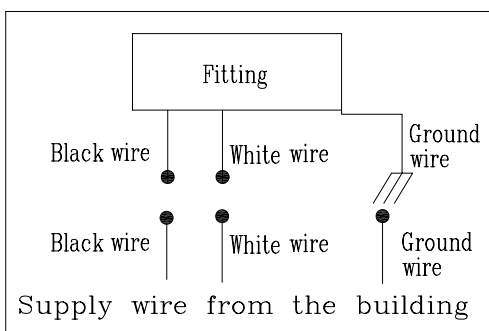
- 1.1 To ensure the success of the installation, be sure to read these instructions and review the diagrams thoroughly before beginning.
- 1.2 All electrical connections must be in accordance with local codes, ordinances, or the National Electrical Code. If you are unfamiliar with the methods of installing electrical wiring, secure the services of a qualified licensed electrician.
- 1.3 These fixtures are intended to be building mounted and must be supported by the building structure.
- 1.4 Do not operate the lighting fixture close to any combustible material.
- 1.5 Ensure that the fitting is cool and switched off before changing the bulb.
- 1.6 The bulbs are not provided, do not use bulbs exceeding maximum wattage as marked on lighting fixture.

## (2) CAUTION BEFORE INSTALLATION

- 2.1 Prepare tools and materials required, e.g.: Ladder, Wrench, Wire cutter, Screw driver, Bulbs and Wiring supplies as required by electrical code.
- 2.2 Before starting the installation, disconnect the power by opening the circuit breaker or by removing the fuse at the fuse box. Turning the power off using the light switch is not sufficient to prevent electrical shock.
- 2.3 If you are replacing an existing fixture, disconnect and remove the old fixture. Expose the supply wiring.
- 2.4 No rough or sharp edges are in contact with any of the wire, to ensure the insulation on any of the wires has not been damaged during installation.
- 2.5 The bare or green insulated wire are for grounding, do not connect with current carrying wires.
- 2.6 Connect black (or smooth ) fixture wire with black supply wire, white (or rough ) fixture wire with white supply wire. After fixture wires are connected with supply wires, the bare parts need to be completely covered by connector, to prevent from causing short circuit and electric leakage.

The method of wiring and operation refer to circuit diagram 1 and circuit diagram 2:

Circuit diagram 1



Circuit diagram 2

