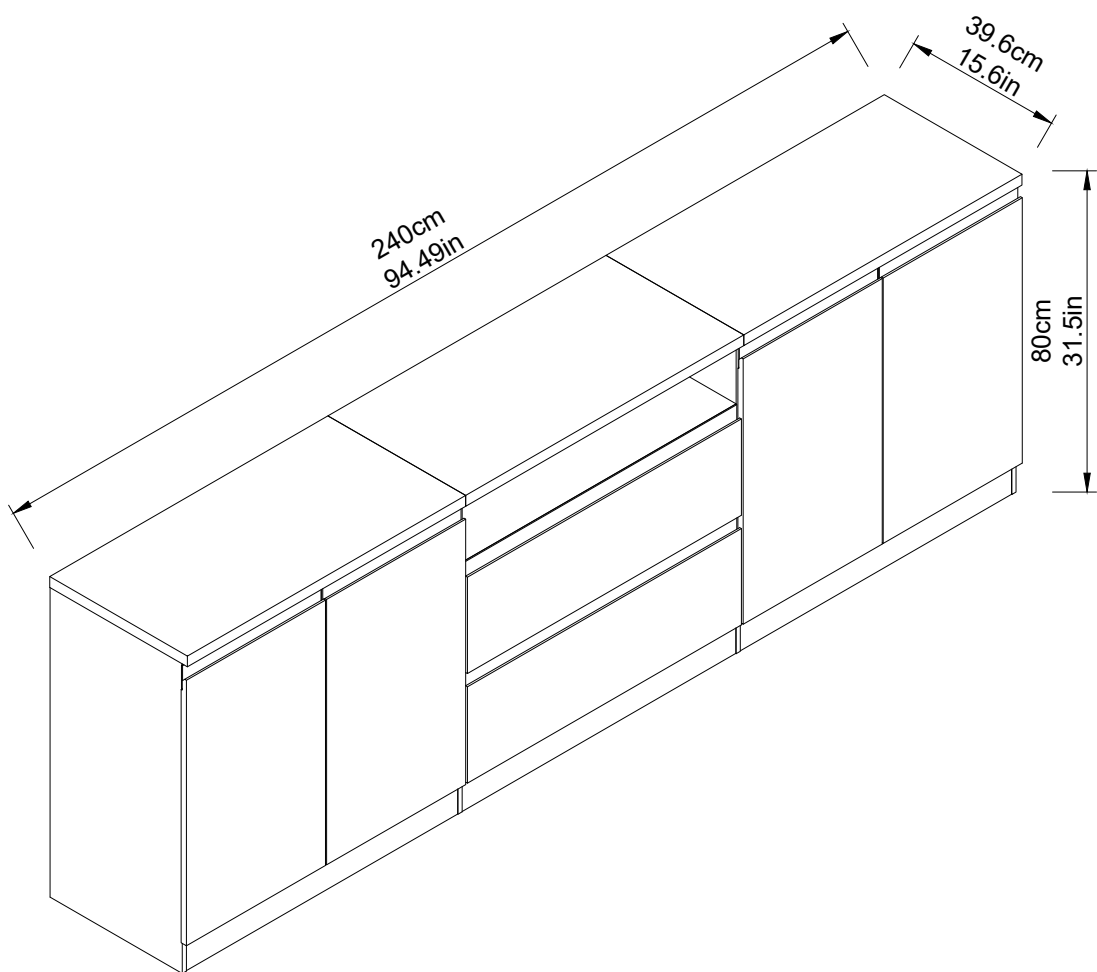


# Assembly Instructions



MH1019

## **IMPORTANT INFORMATION!**

• please read the entire manual before starting to assemble and/or using this product. follow the manual thoroughly and keep it for further reference.

## **AVOID SCRATCHES!**

• In order to avoid scratching this furniture should be assembled on a soft layer-could be a rug.

## **IMPROVE EFFICIENCY !**

• Try to find a partner to install with you, which can speed up the installation efficiency and shorten the time.

## **IMPORTANT !**

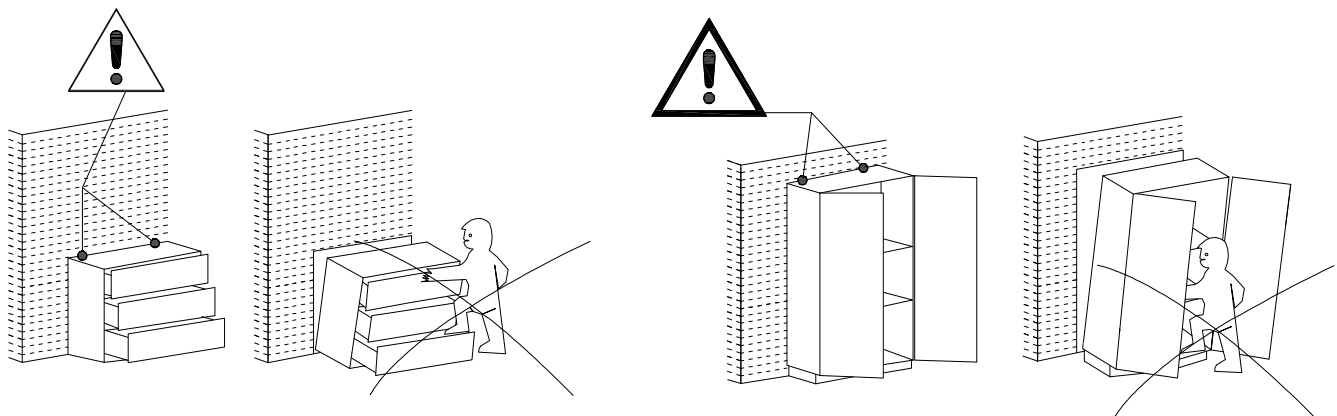
• It is important that any product which is assembled using any kind of screw is re-tightened 2 weeks after assembly, and once every 3 months - in order to assure stability through-out the lifespan of the product.

• For regular maintenance and cleaning of the product, for the frame, please use a rag dipped in neutral detergent to fully wipe it, and then dry it with a clean rag. For glass materials, wipe with a rag dampened with water glass cleaner, and then dry with a dry rag.

• Do not use an electric screwdriver, and do not use too much force when installing, because the board is easy to break.

## **ANTI-TOPPLE WARNING !**

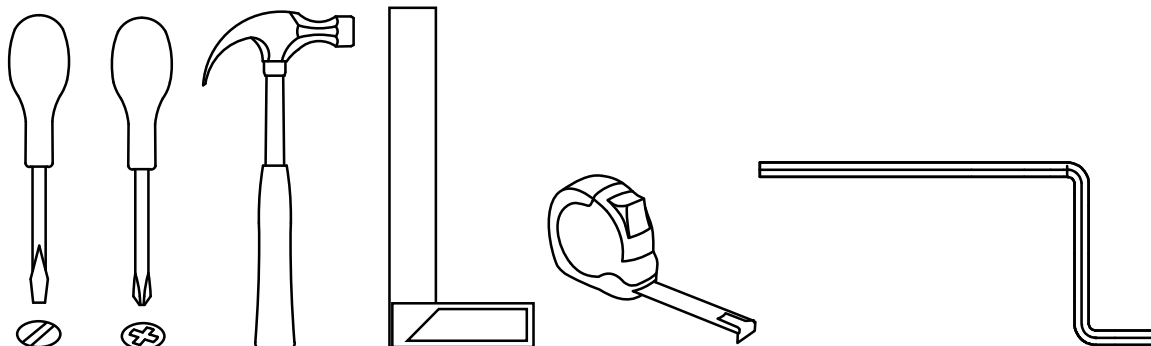
Overtured furniture can cause serious or fatal crush injuries. To prevent tipping over, be sure to use the wall attachment, if not included with this product. Please purchase the wall attachment that fit your wall. If unsure, seek professional advice. Please read and follow each step of the instructions carefully.



Tools needed to assemble the furniture: - Outils nécessaires pour assembler les meubles:

Werkzeuge, die für die Montage der Möbel benötigt werden: - Herramientas necesarias para armar el mueble:

Ferramentas necessárias para montar o móvel: - Strumenti necessari per assemblare il mobile:



The assembly must be done by two people.

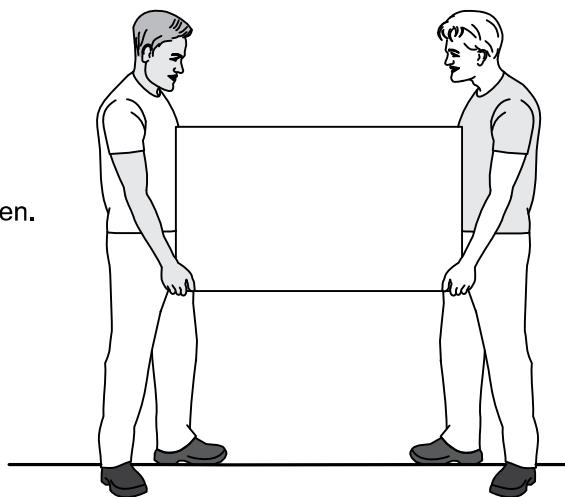
L'assemblage doit être effectué par deux personnes.

Es wird empfohlen, dass zwei Personen den Artikel montieren.

El montaje debe ser efectuado por dos personas.

A montagem deve ser efetuada por duas pessoas.

Il montaggio deve essere effettuato da due persone.



This product contains small parts, please, keep out of reach of children.

Ce produit contient de petites pièces, s'il vous plaît, à conserver hors de portée des enfants.

Bitte halten Sie kleine Teile außerhalb der Reichweite von Kindern.

Este producto contiene piezas pequeñas, mantener fuera del alcance de los niños.

Este produto contém peças pequenas, por favor, mantenha fora do alcance das crianças.

Questo prodotto contiene piccole parti, si prega di tenerle fuori dalla portata dei bambini.



**REAL SIZE- TAILLE RÉELLE - ORIGINALGRÖÖE - TAMAÑO VERDADERO - TAMANHO REAL- DIMENSIONE REALE**

In case of doubt, compare the hardware with the full-size images below.

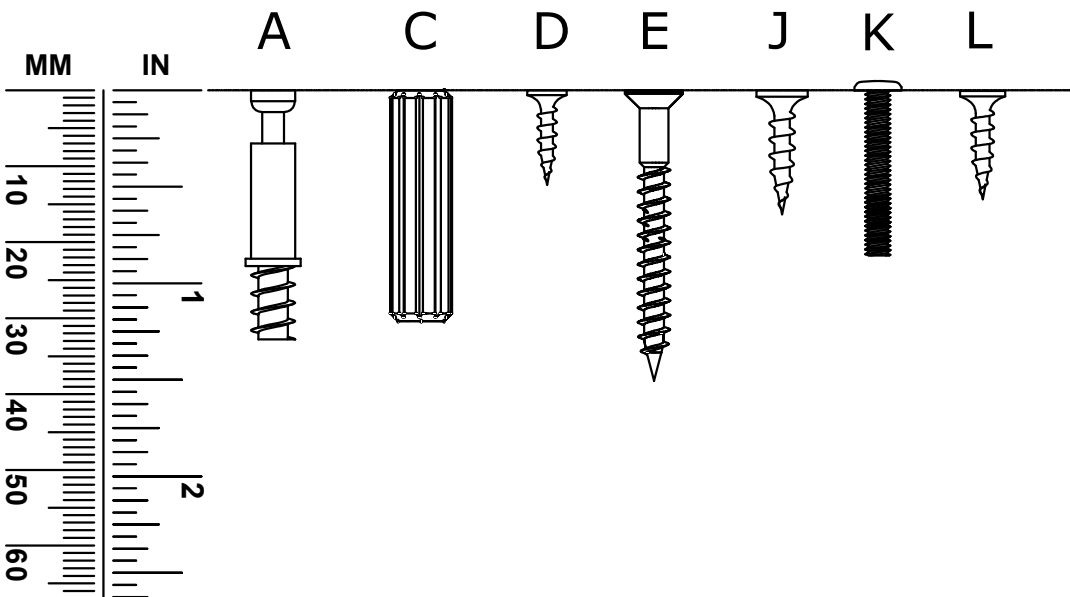
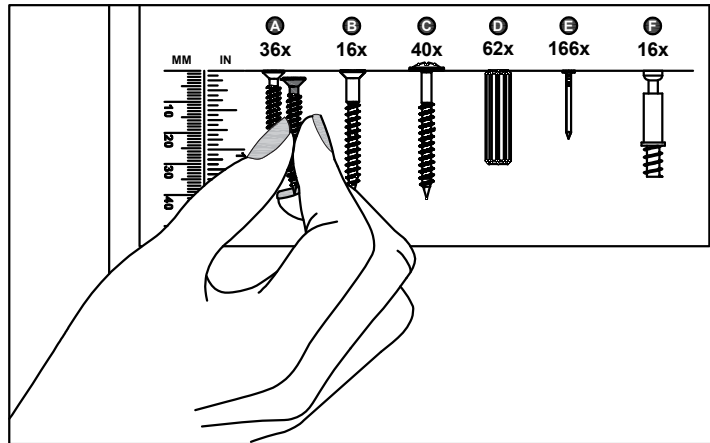
En cas de doute, veuillez comparer le matériel avec les images en taille réelle ci-dessous.

Vergleichen Sie im Zweifelsfall die Schrauben mit den Abbildungen in Originalgröße.

En caso de dudas, compare las herrajes con las imágenes a seguir en tamaño real.

Em caso de dúvida, compare as ferragens com as imagens abaixo em tamanho real.

In caso di dubbio, confronta le ferramenta con le immagini sottostanti a grandezza reale.



A x 68

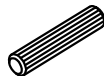
B x 68

C x 34

D x 16

E x 8

F x 8



G x 2

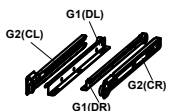
H x 30

J x 30

K x 16

L x 68

M x 8

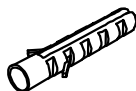


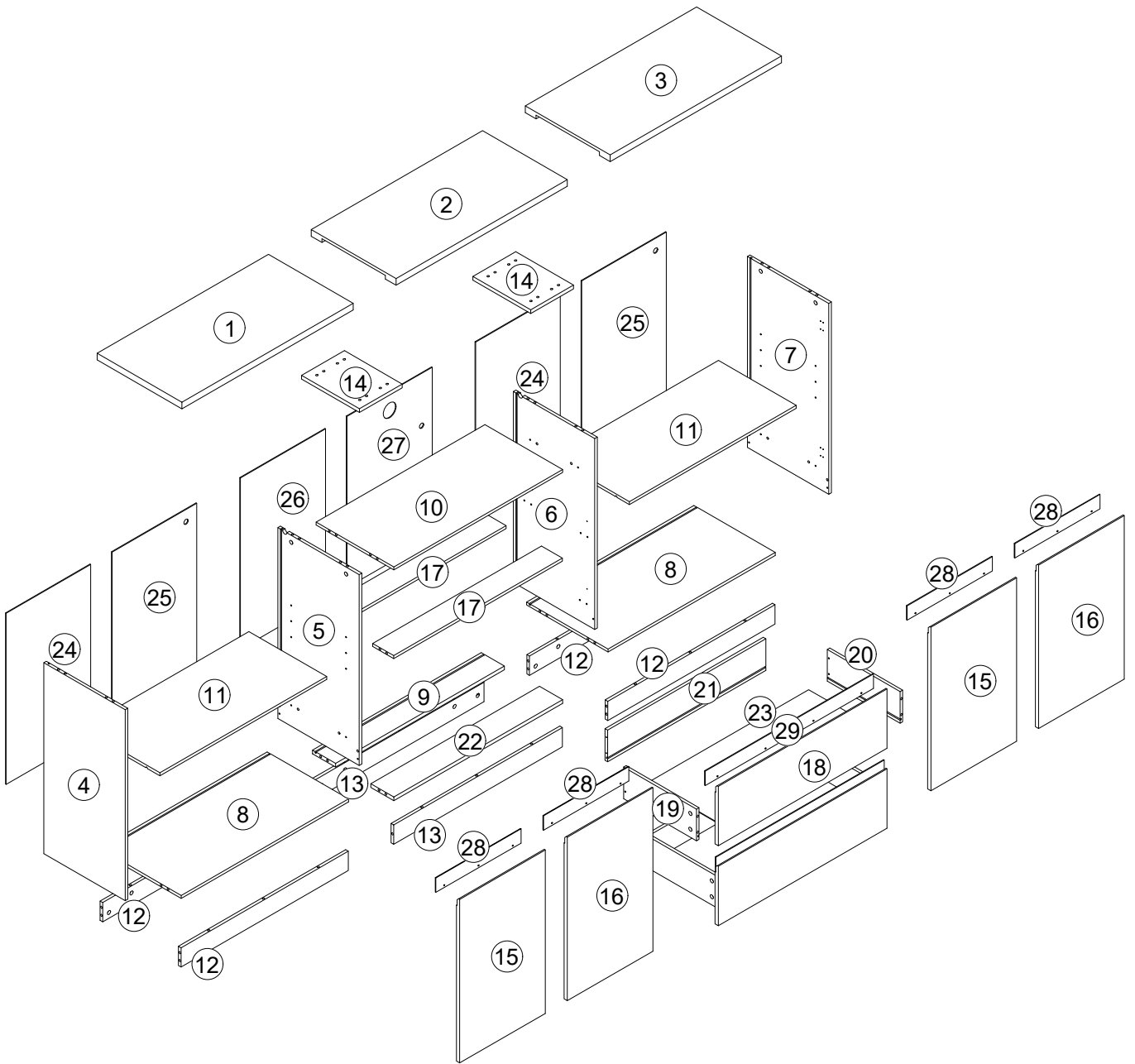
N x 1

Q x 2

R x 2

O x 1





**ATTENTION - AVERTISSEMENT - ACHTUNG - ATENCIÓN - ATENÇÃO - ATTENZIONE**

Assemble the furniture on a clean and flat surface and cover it with the cardboard of the packaging.

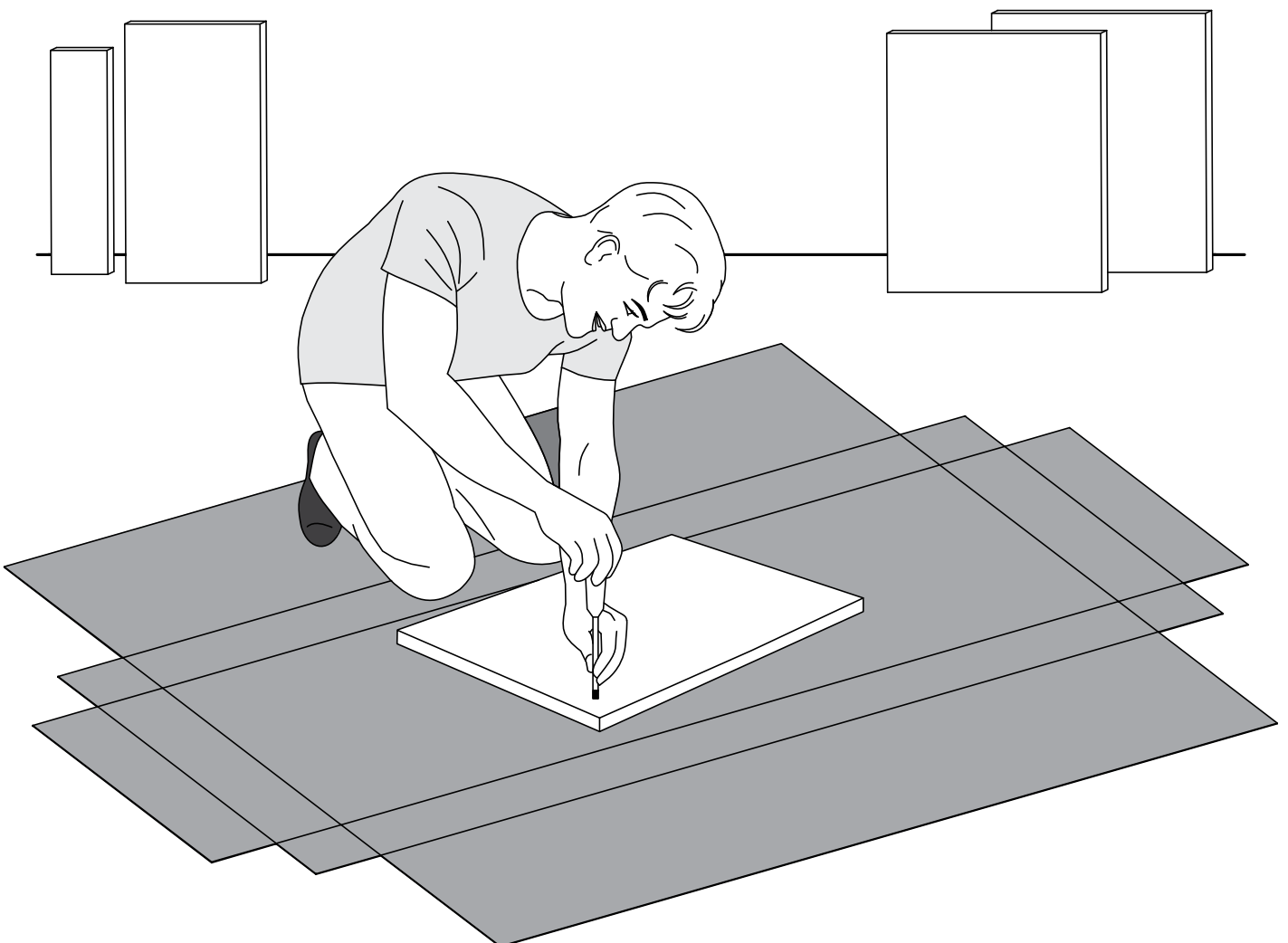
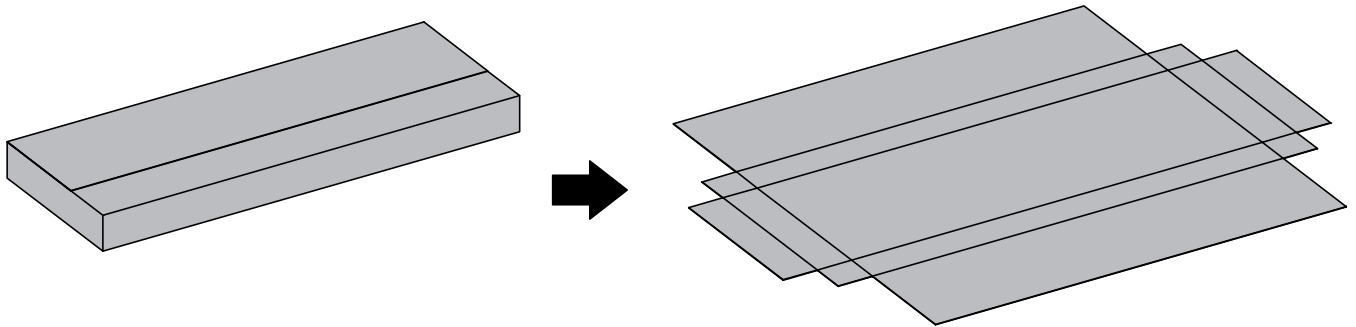
Assemblez le meuble sur une surface propre et plane et couvrez-le avec le carton de l'emballage du produit.

Um Beschädigungen zu vermeiden, montieren Sie den Artikel auf einer weichen, sauberen Unterlage.  
Tipp: Legen Sie den Artikel auf dem Verpackungskarton.

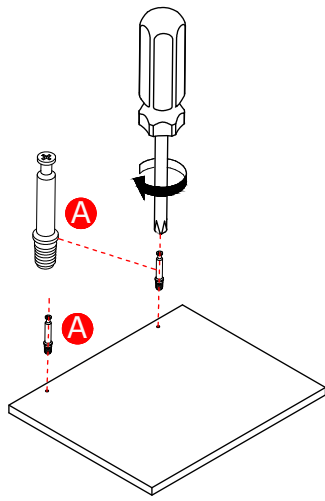
Montar el mueble sobre una superficie limpia y plana y cubrirlo con el cartón del embalaje del producto.

Montar o móvel sobre uma superfície limpa e plana e forrá-la com o papelão da embalagem do produto.

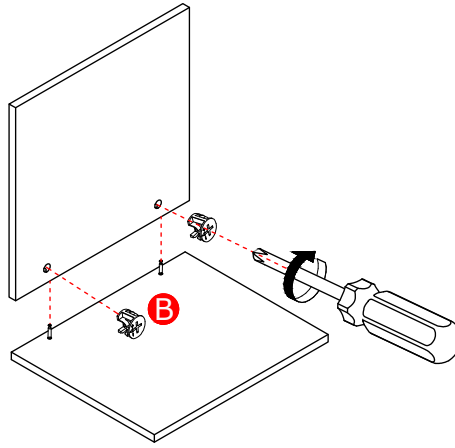
Montare il mobile su una superficie pulita e piana e rivestirla con il cartone d'imballaggio del prodotto.



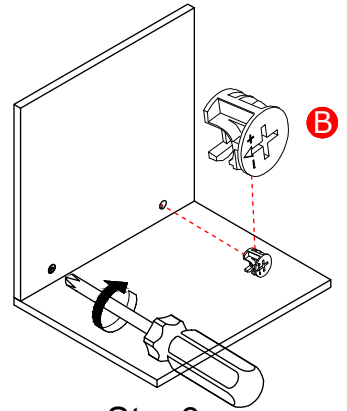
# Use parts **A** and **B**



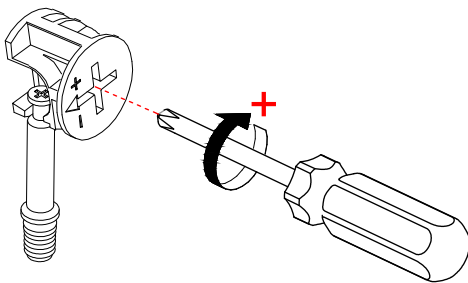
Step1



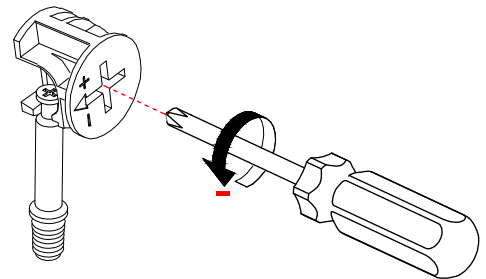
Step2



Step3

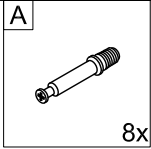


Use a screwdriver to lock in the direction of the "+" sign

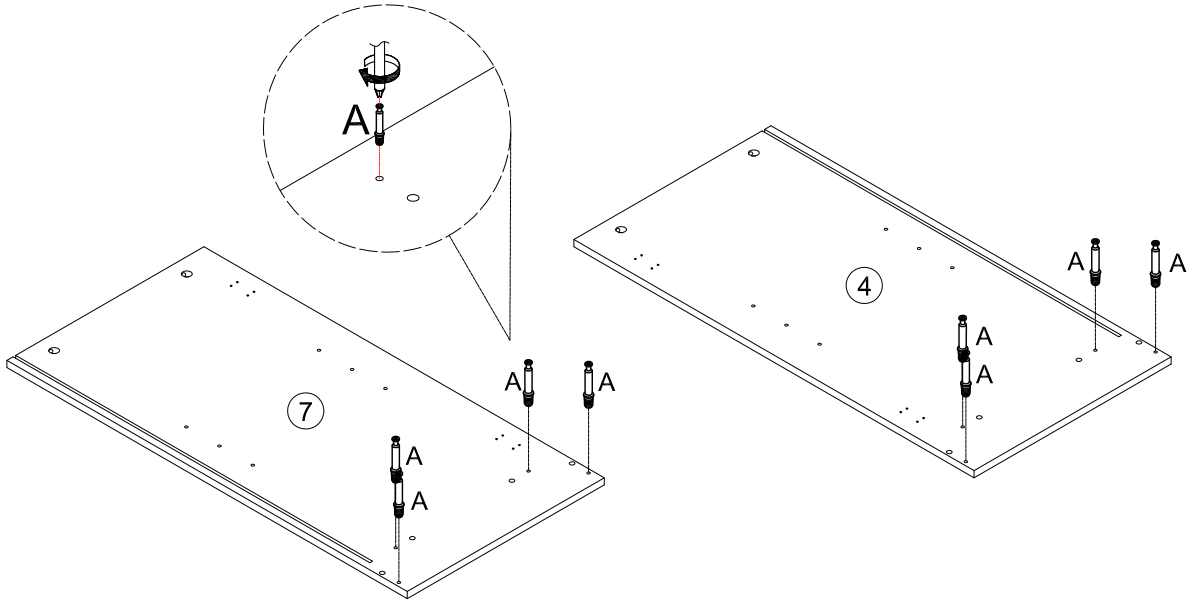
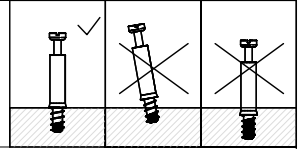


Disassemble along the direction of "-" sign

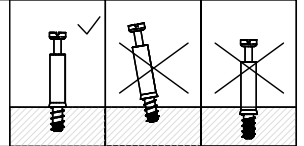
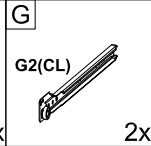
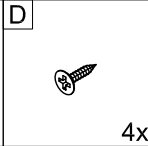
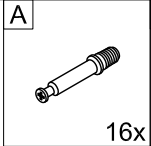
# 1



Refer to the illustration and locate the corresponding part. Insert screw (A) into the designated hole, ensuring that the screw is locked in vertically and not tilted.

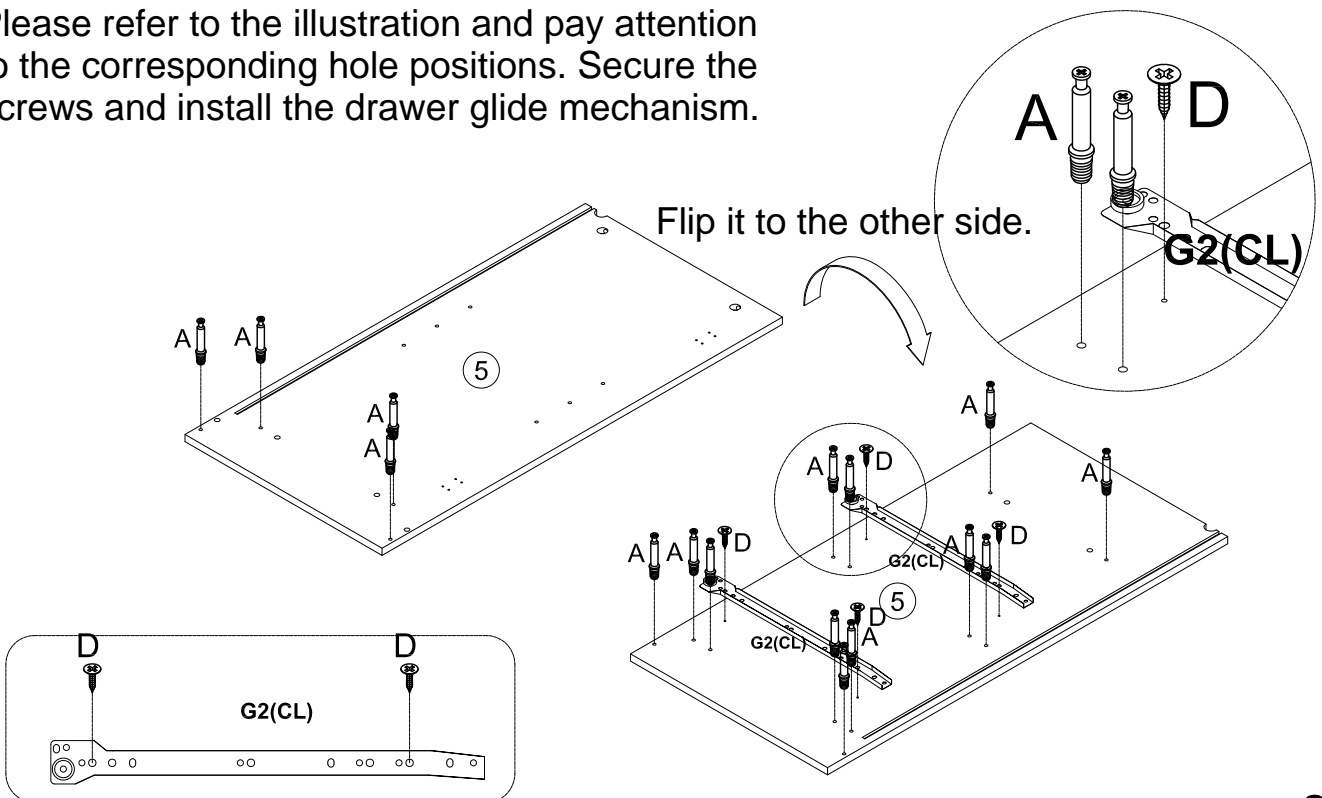


# 2

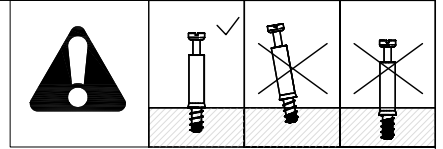
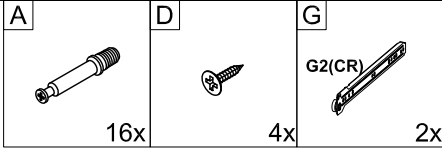


Please refer to the illustration and pay attention to the corresponding hole positions. Secure the screws and install the drawer glide mechanism.

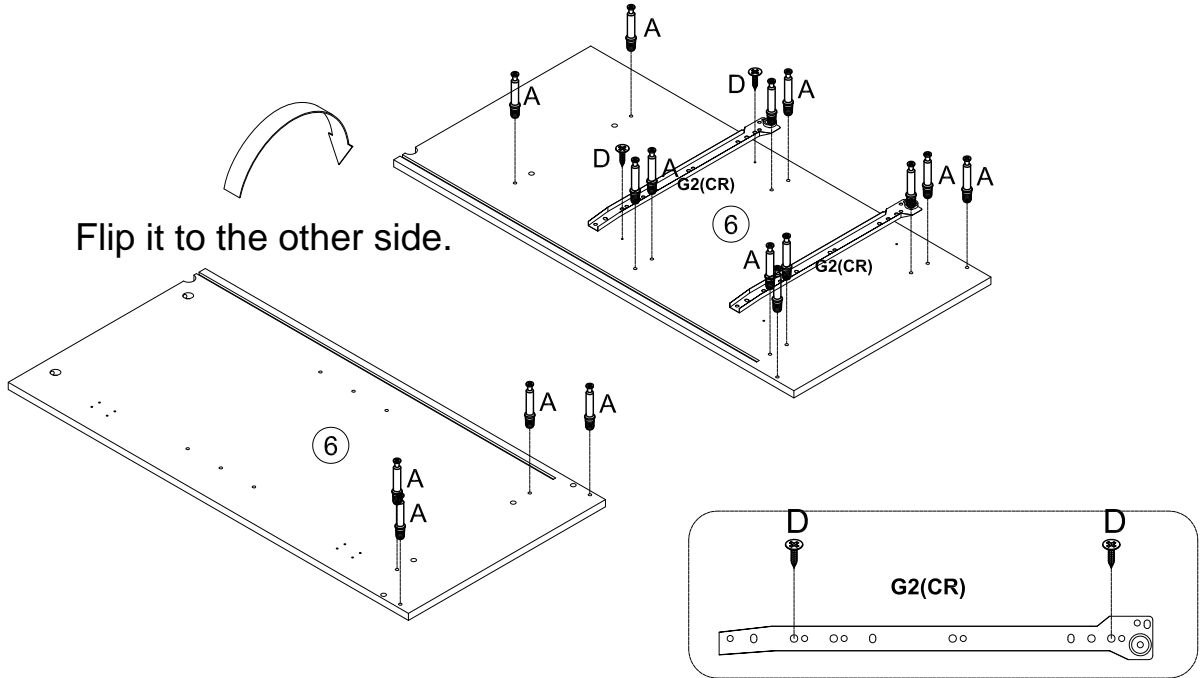
Flip it to the other side.



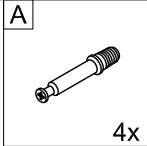
# 3



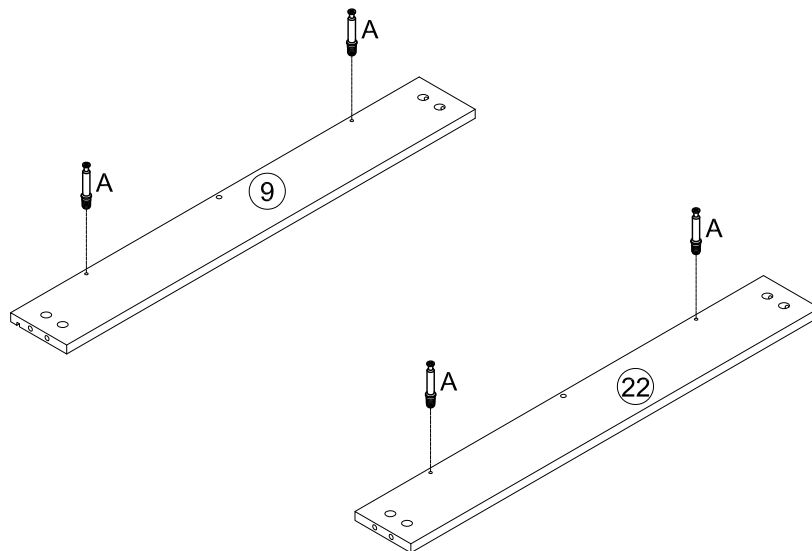
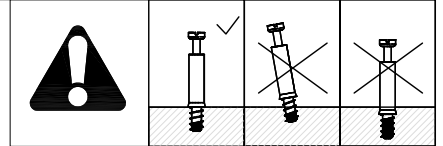
Please refer to the illustration and pay attention to the corresponding hole positions. Secure the screws and install the drawer glide mechanism.



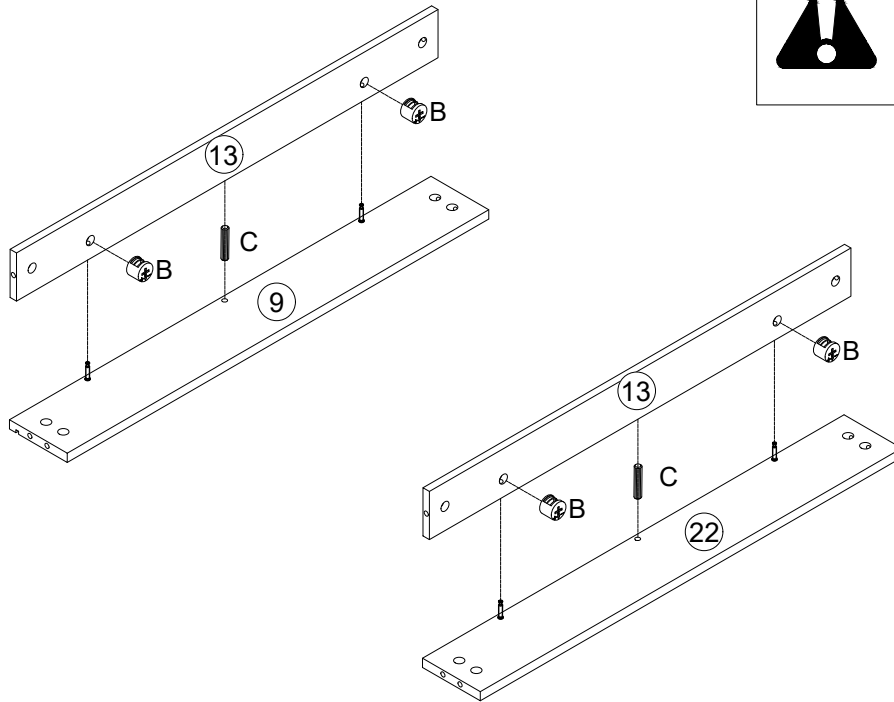
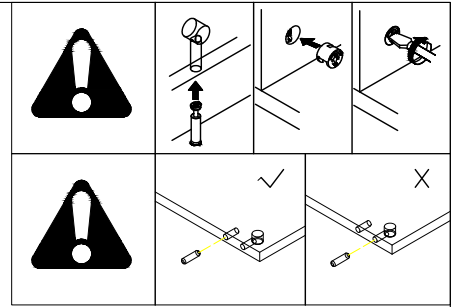
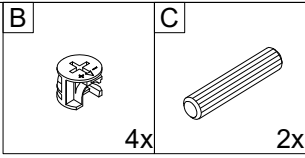
# 4



Refer to the illustration and locate the corresponding part. Insert screw (A) into the designated hole, ensuring that the screw is locked in vertically and not tilted.

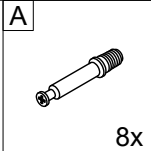


# 5

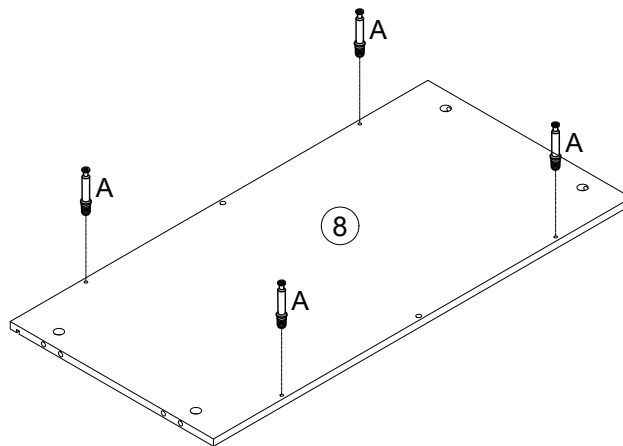
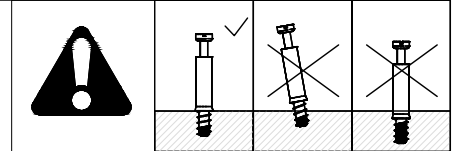


Insert the cam screw (B) as shown and turn it to the right to secure it. Make sure the screws are aligned vertically and are not tilted.

# 6

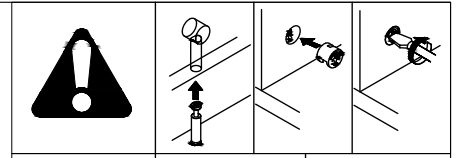
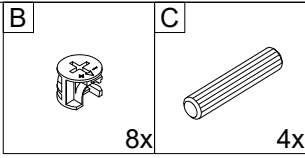


Refer to the illustration and locate the corresponding part. Insert screw (A) into the designated hole, ensuring that the screw is locked in vertically and not tilted.

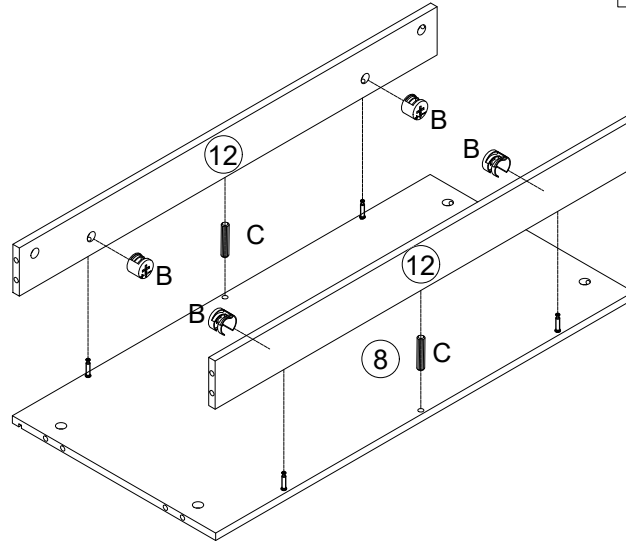
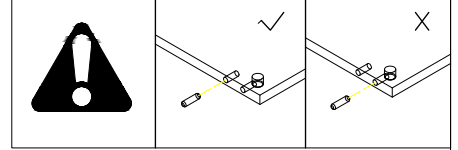


# x2

# 7

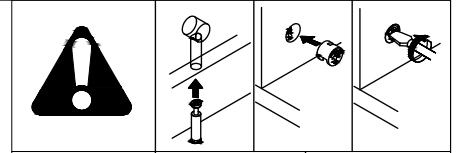
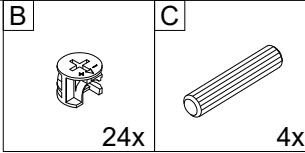


Insert the cam screw (B) as shown and turn it to the right to secure it. Make sure the screws are all locked vertically and are not tilted.

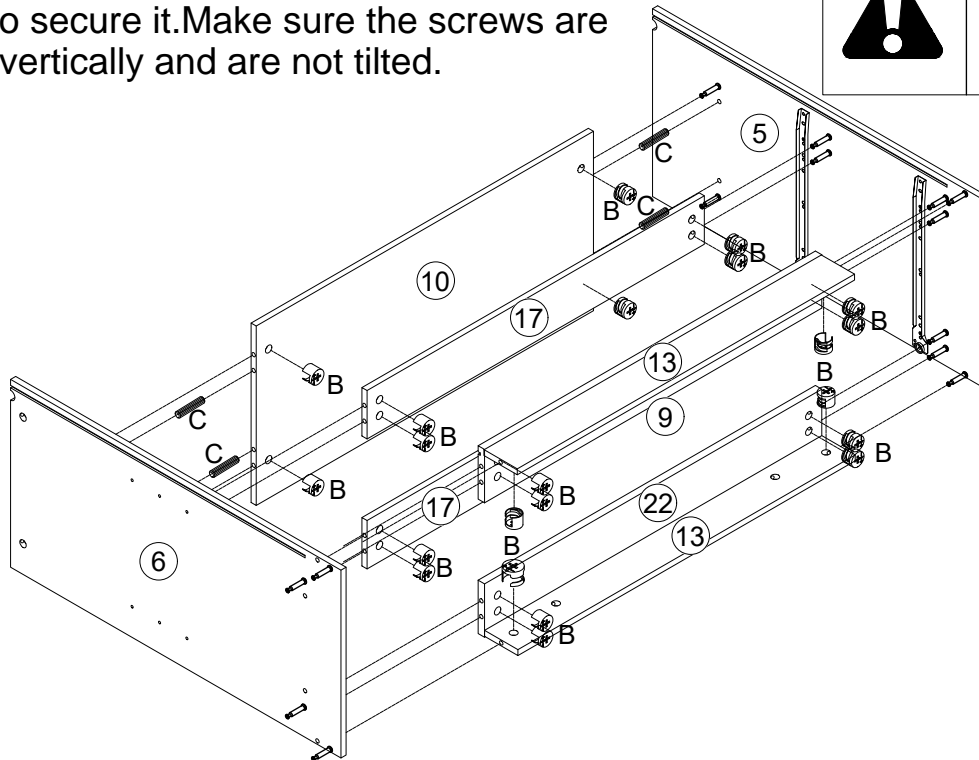
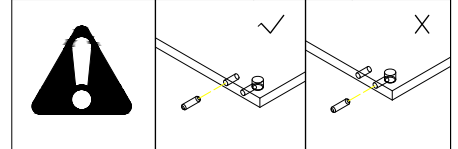


# x2

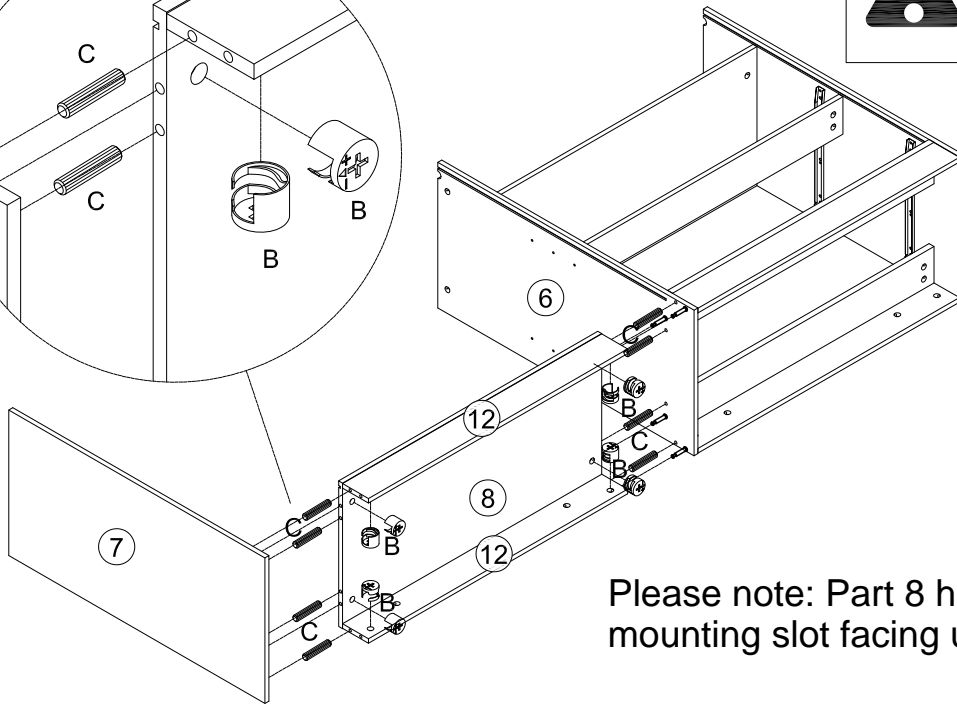
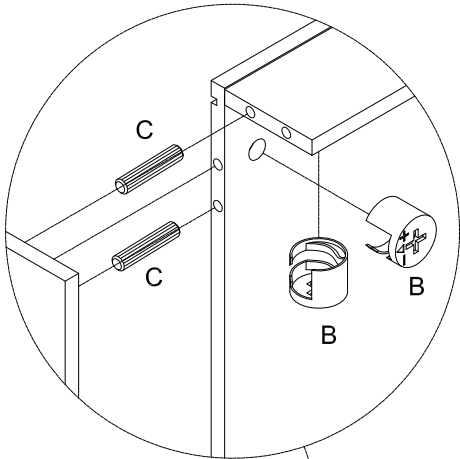
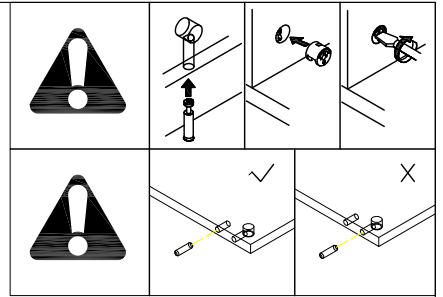
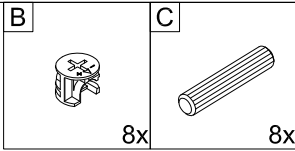
# 8



Insert the cam screw (B) as shown and turn it to the right to secure it. Make sure the screws are all locked vertically and are not tilted.

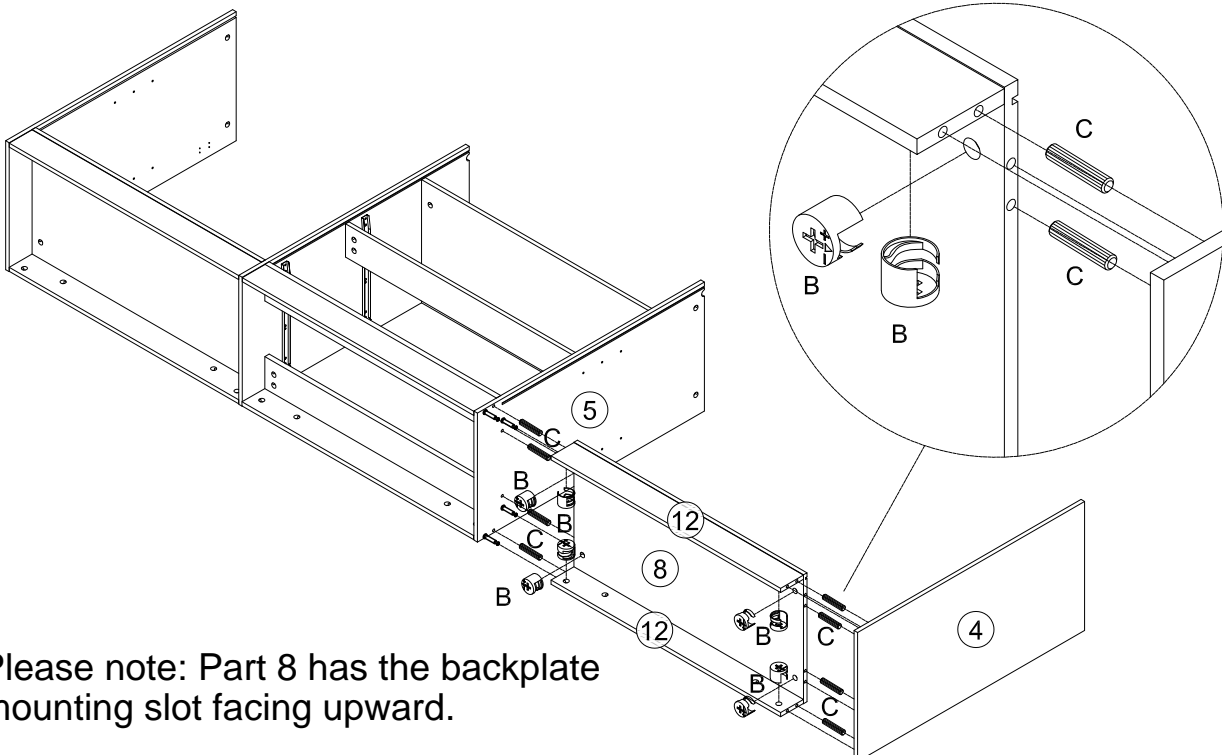
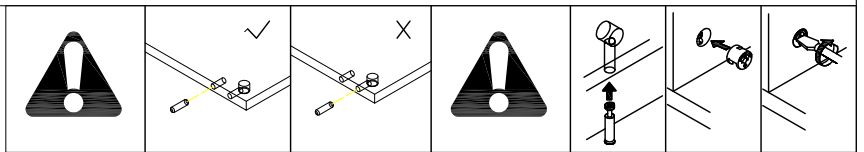
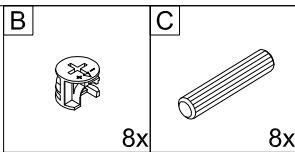


# 9



Please note: Part 8 has the backplate mounting slot facing upward.

# 10

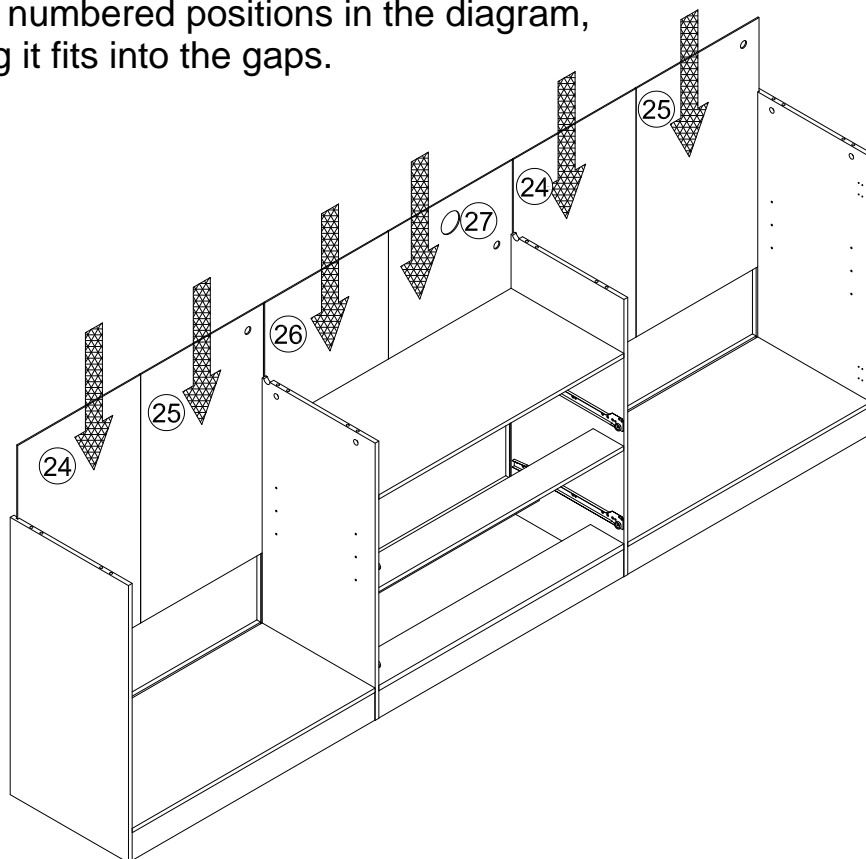


Please note: Part 8 has the backplate mounting slot facing upward.

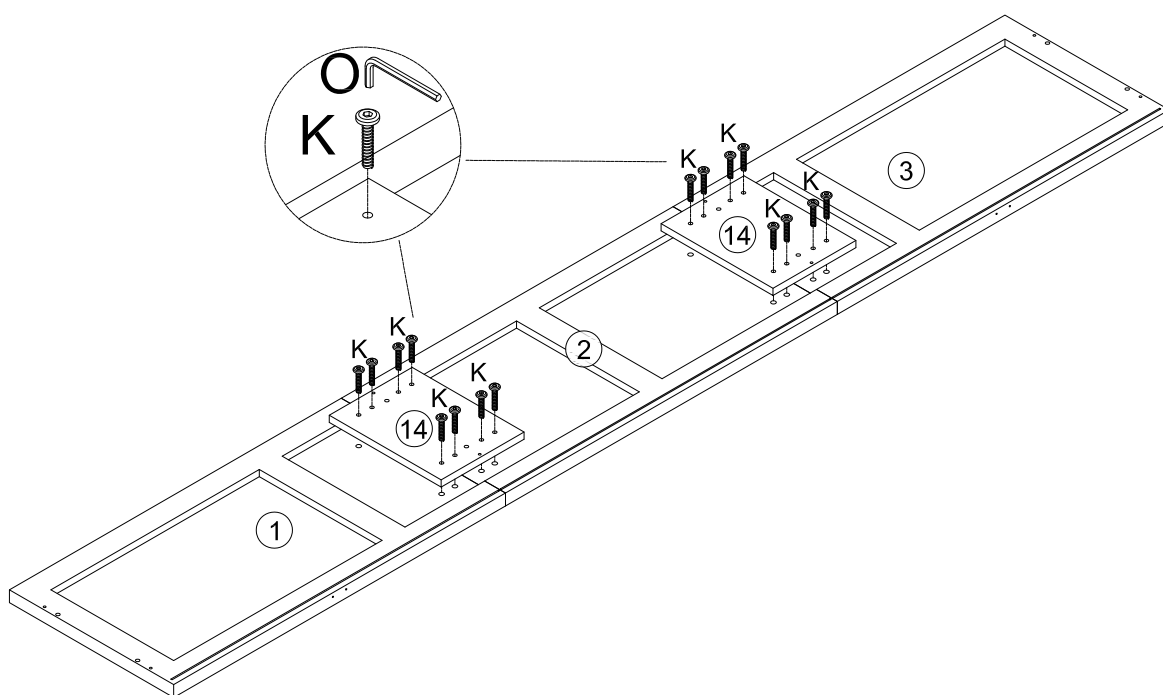
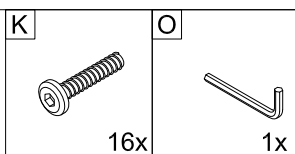
# 12

# 11

When inserting the backplate, please align it with the numbered positions in the diagram, ensuring it fits into the gaps.

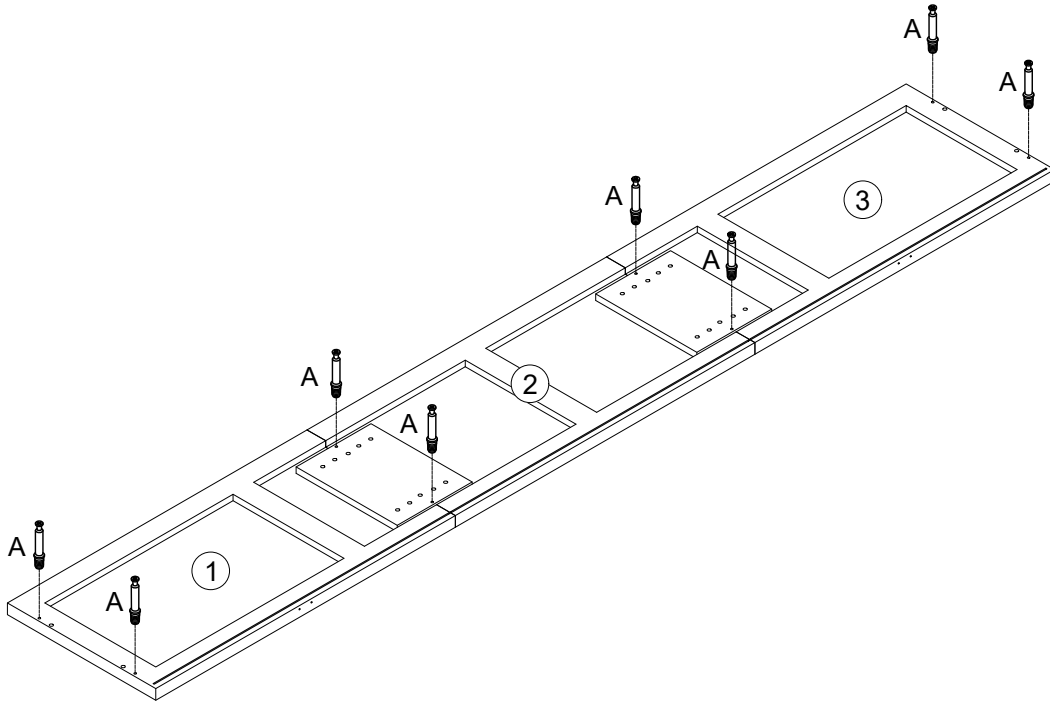
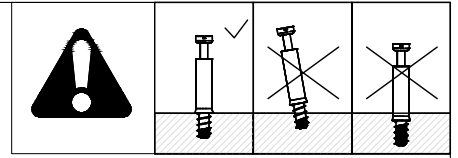
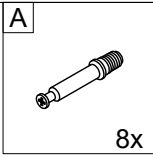


# 12

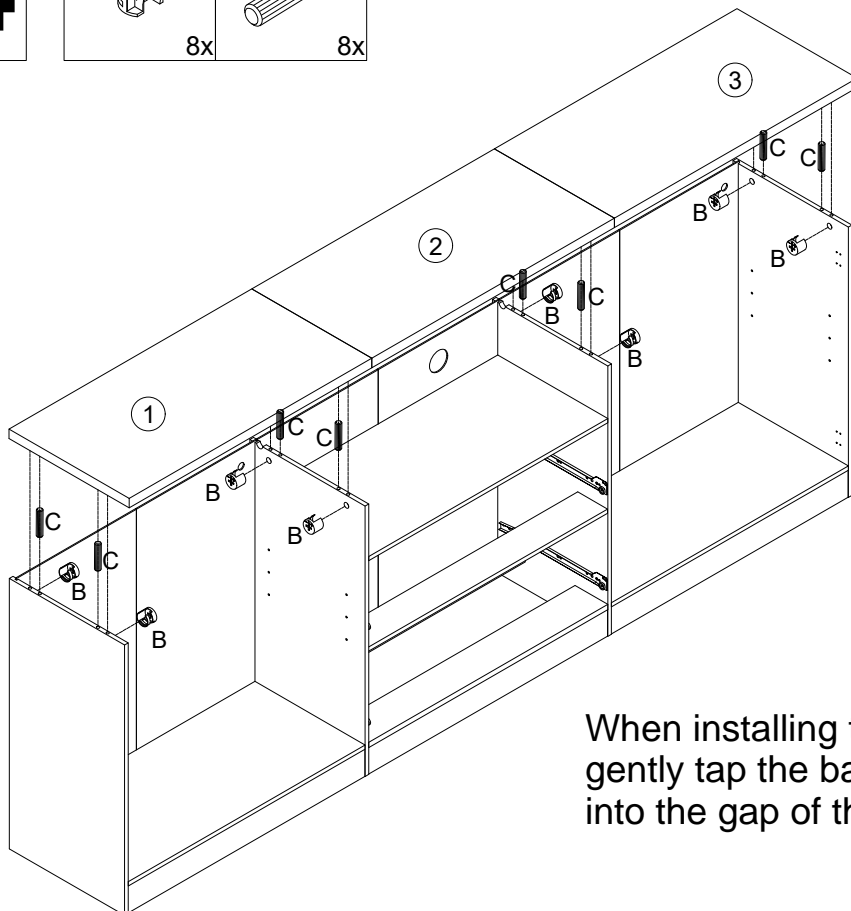
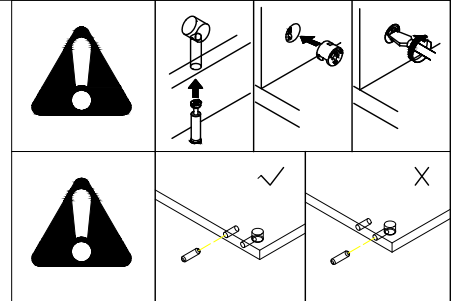
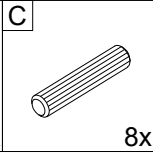
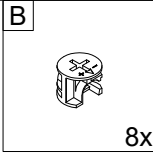


# 13

# 13

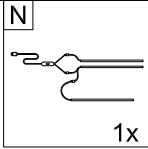


# 14

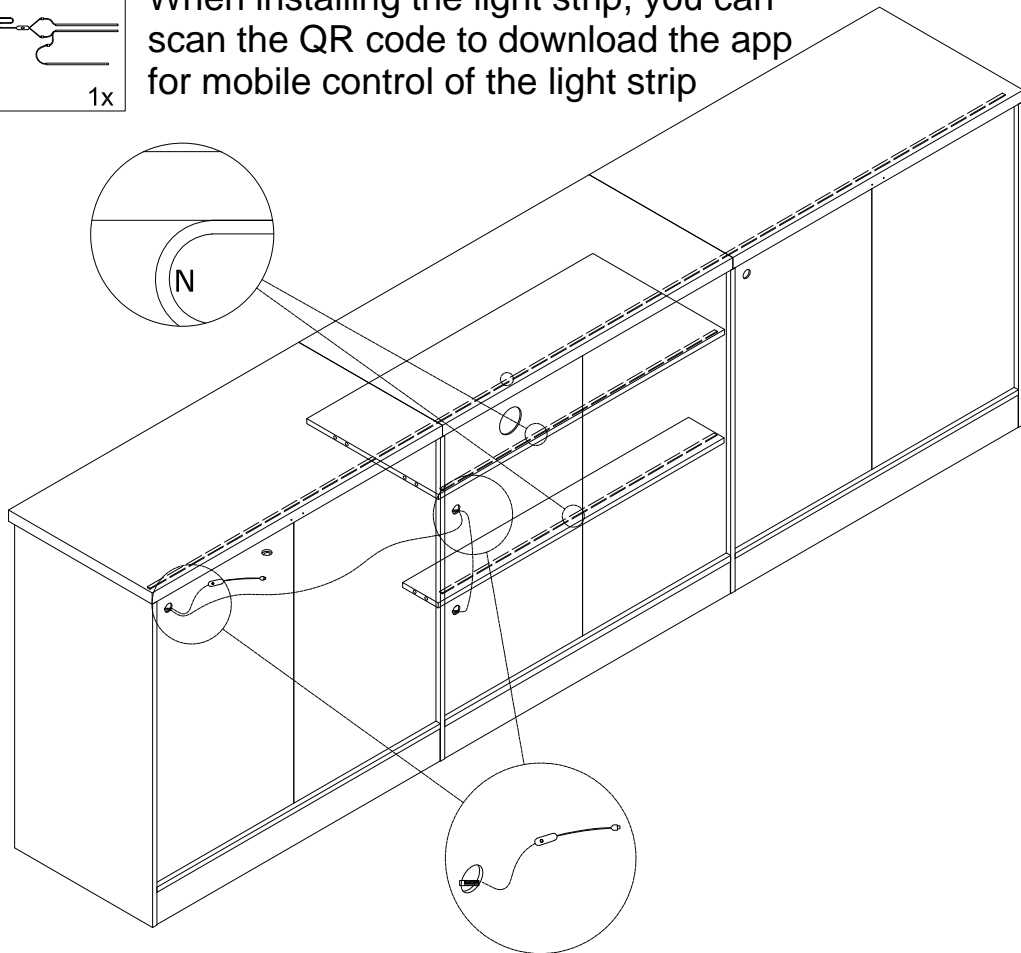


When installing the countertop, you can gently tap the backplate to ensure it fits into the gap of the countertop.

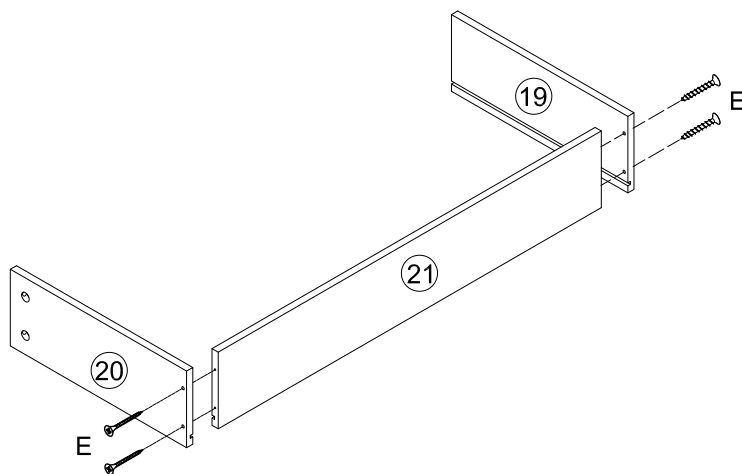
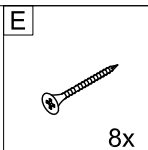
# 15



When installing the light strip, you can scan the QR code to download the app for mobile control of the light strip

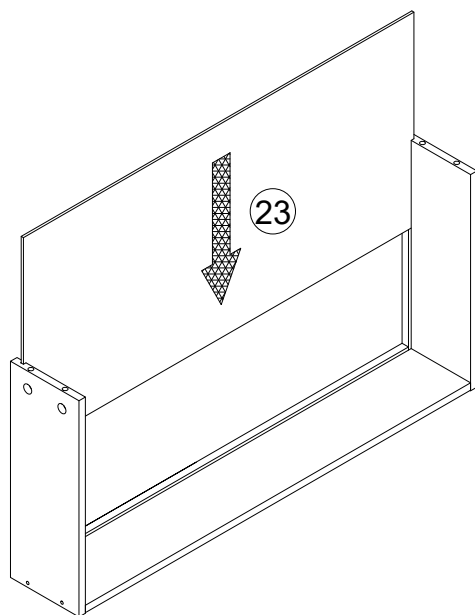


# 16



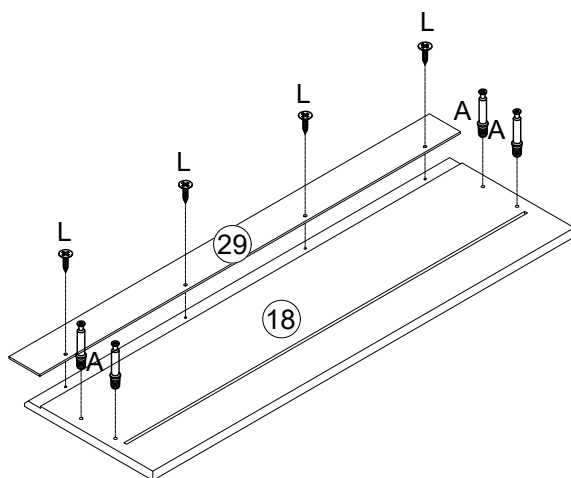
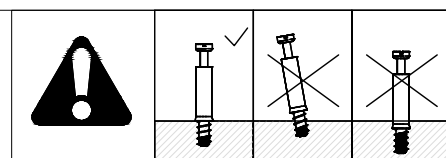
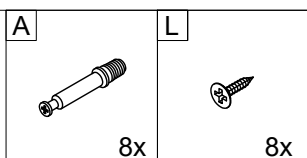
# x2

# 17



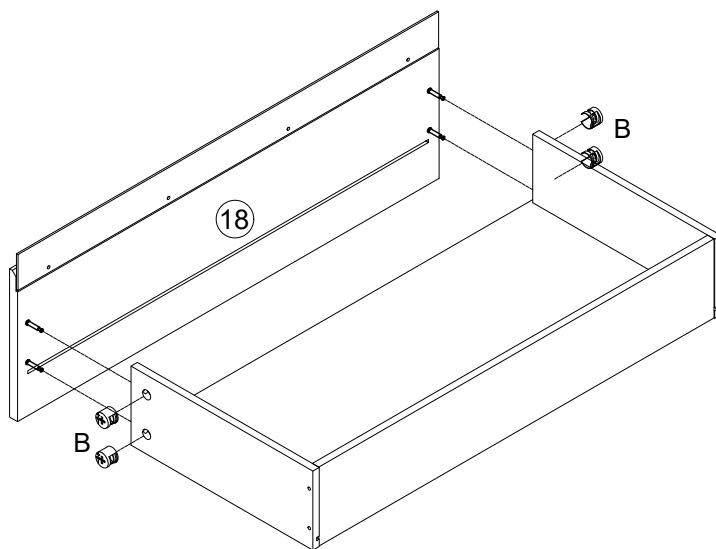
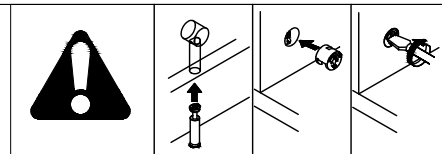
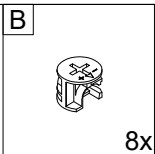
# x2

# 18



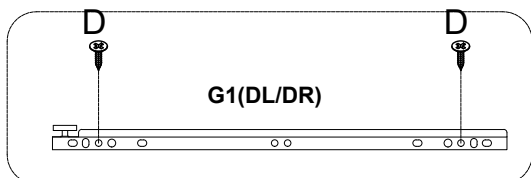
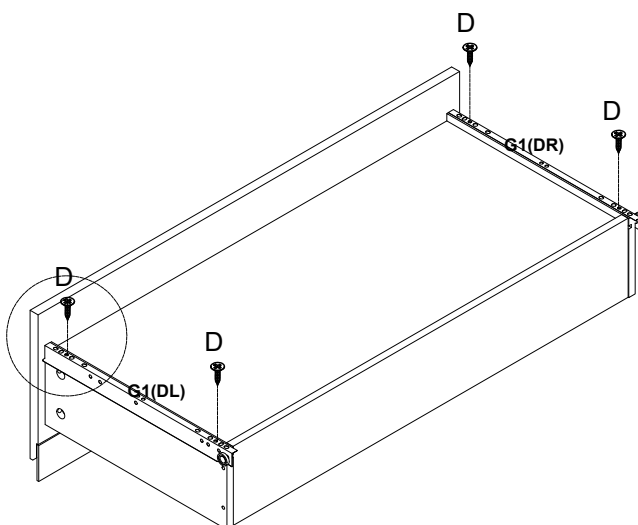
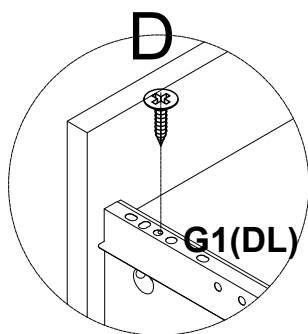
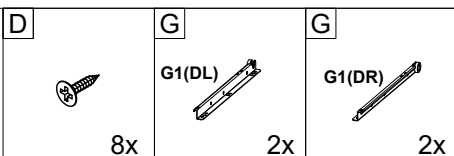
# x2

# 19



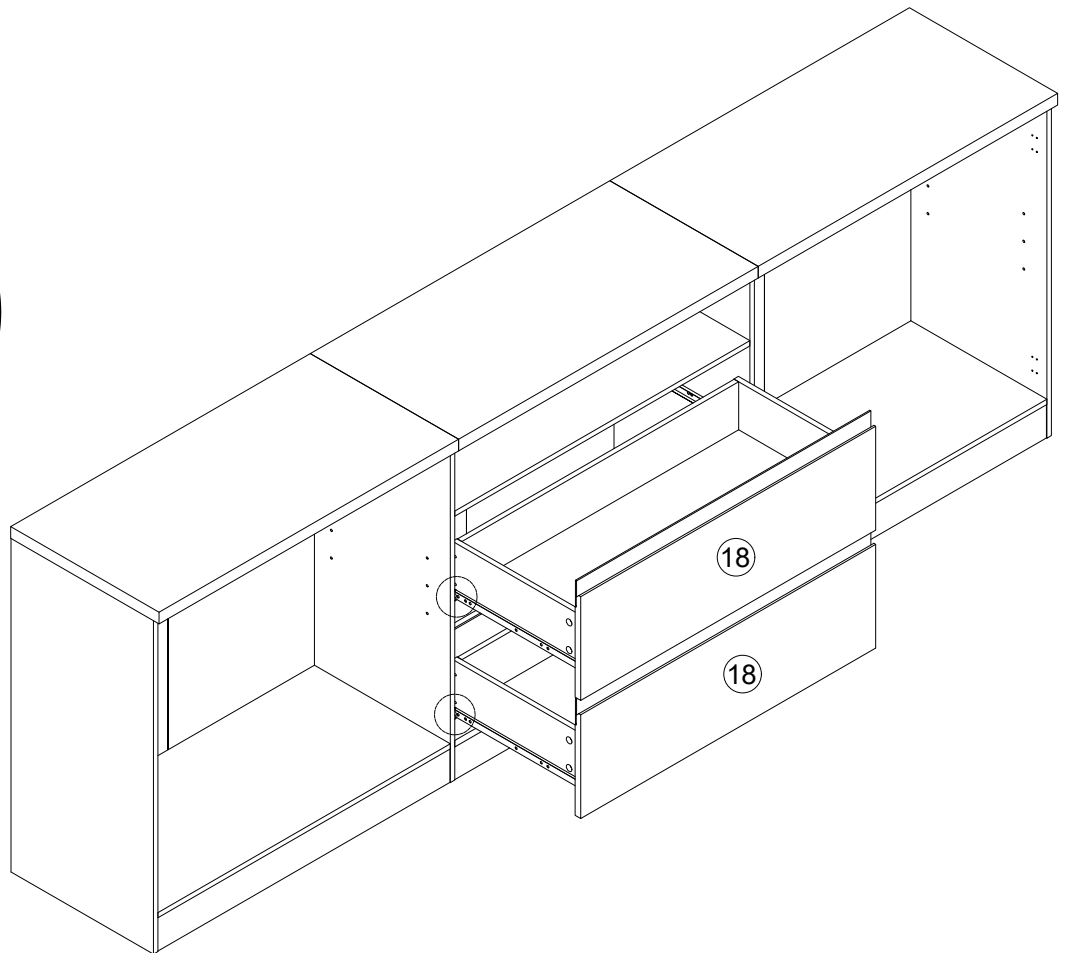
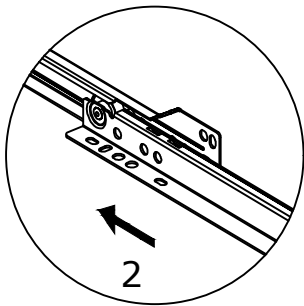
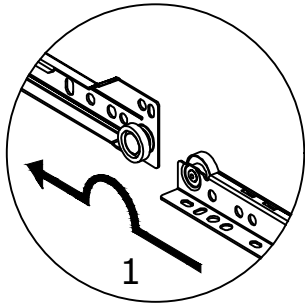
# x2

# 20



# x2

# 21



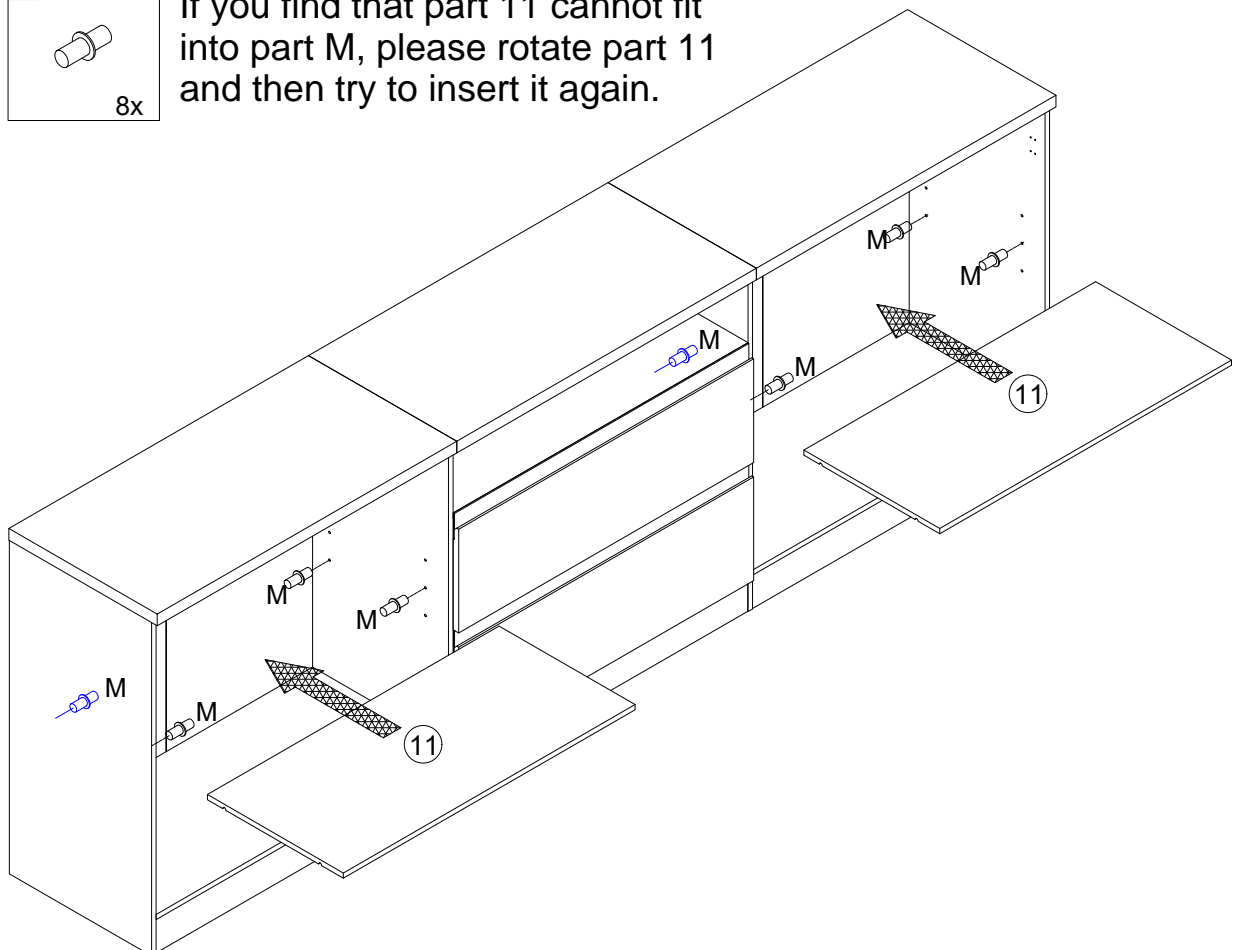
# 22

M



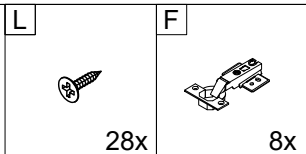
8x

If you find that part 11 cannot fit into part M, please rotate part 11 and then try to insert it again.

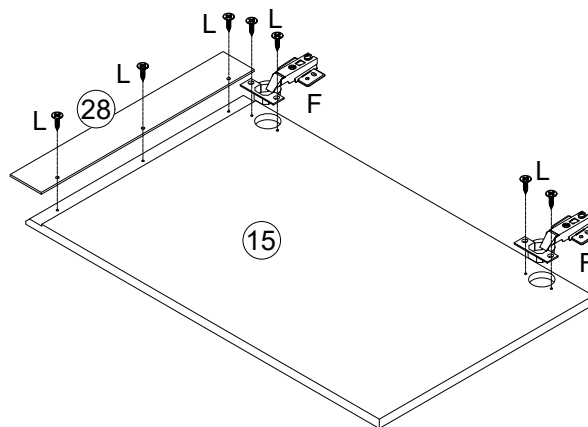
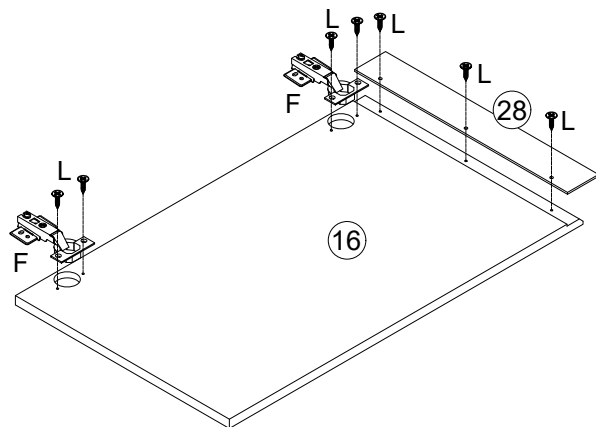


18

# 23

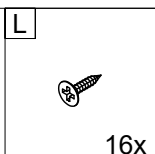


When installing the acrylic sheet, you can peel off the protective film before installation.

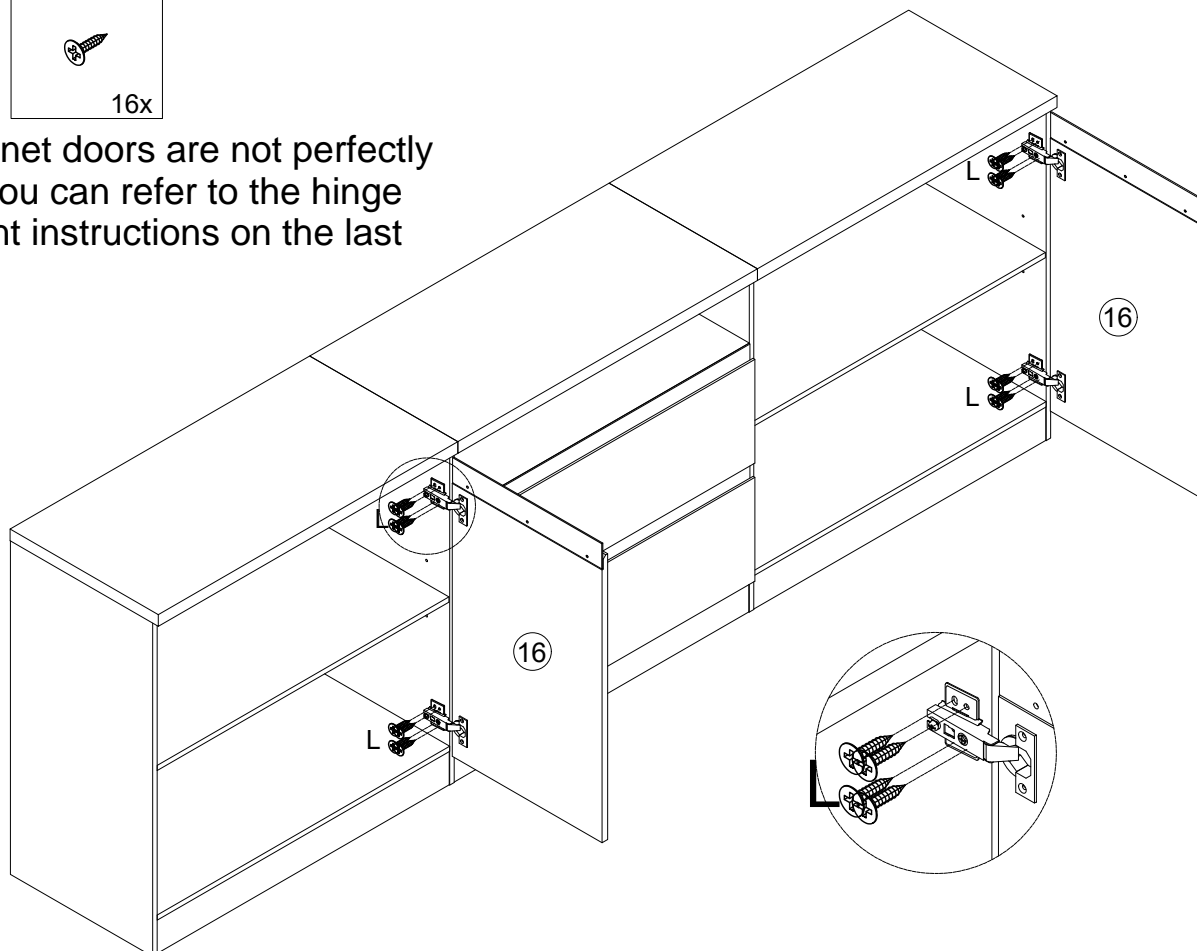


# x2

# 24



If the cabinet doors are not perfectly aligned, you can refer to the hinge adjustment instructions on the last page.

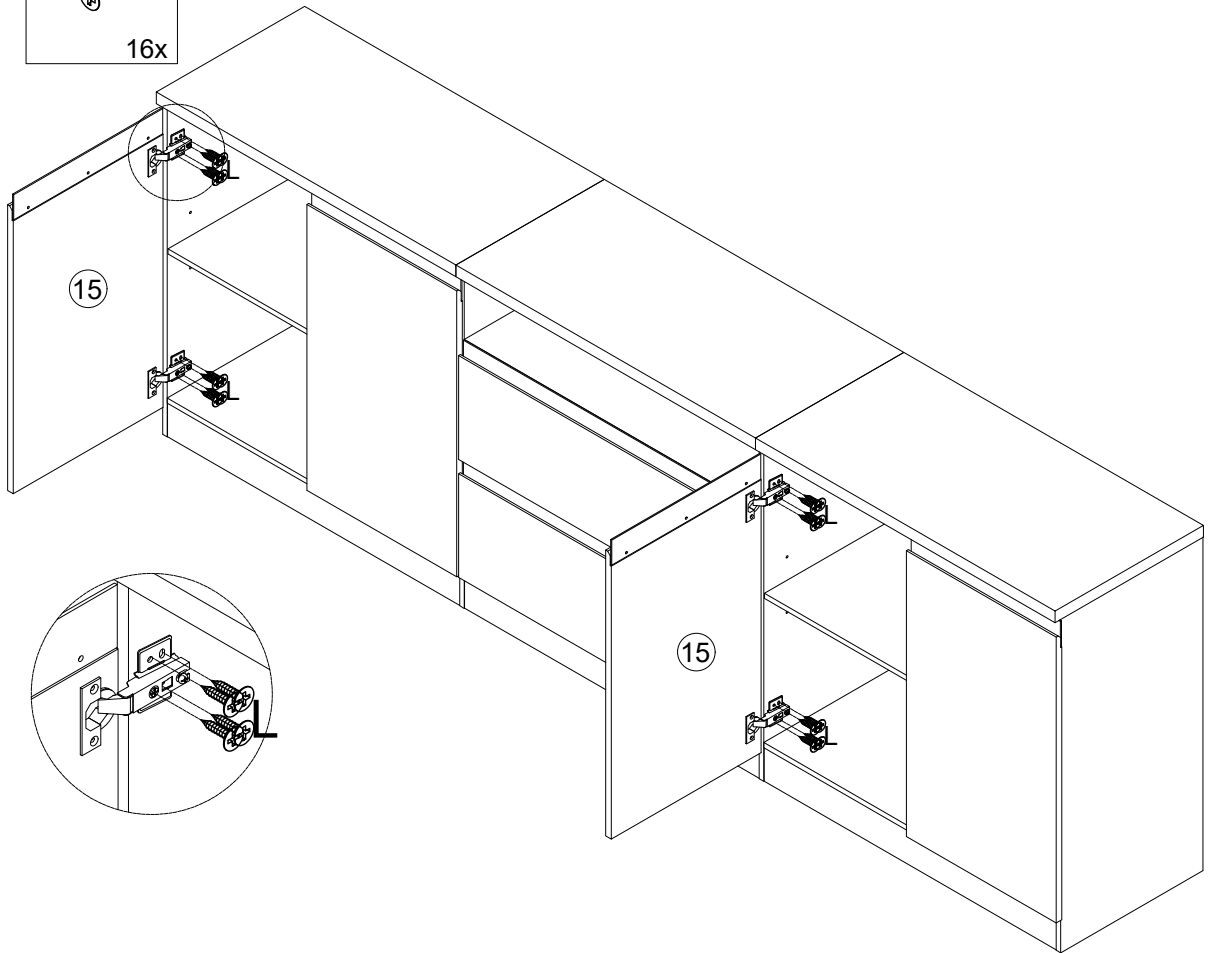


# 25

L



16x



# 26

H

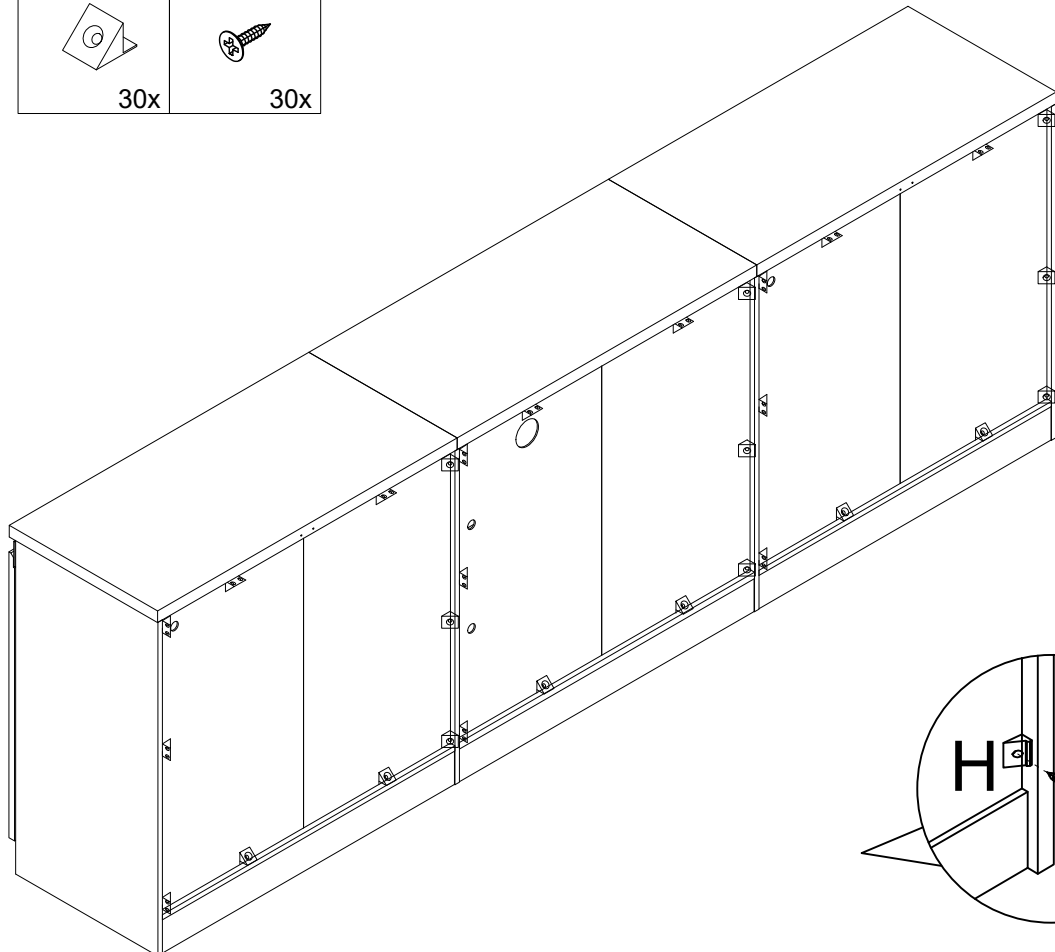


30x

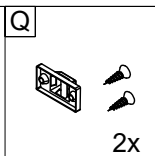
J



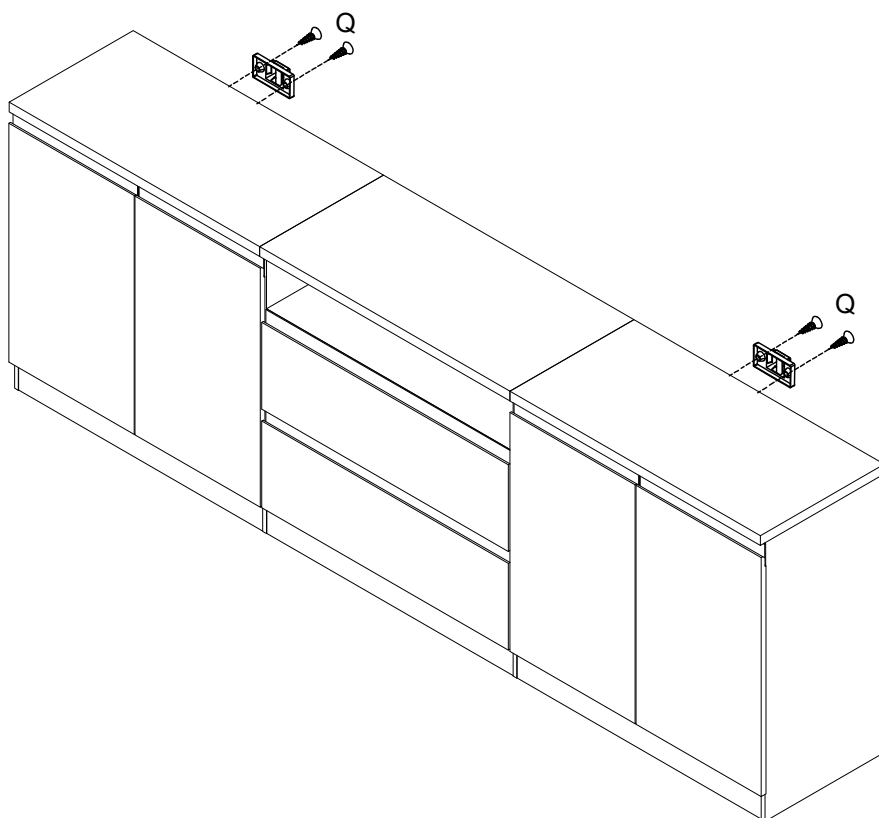
30x



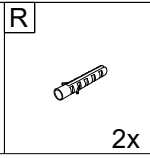
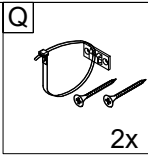
# 27



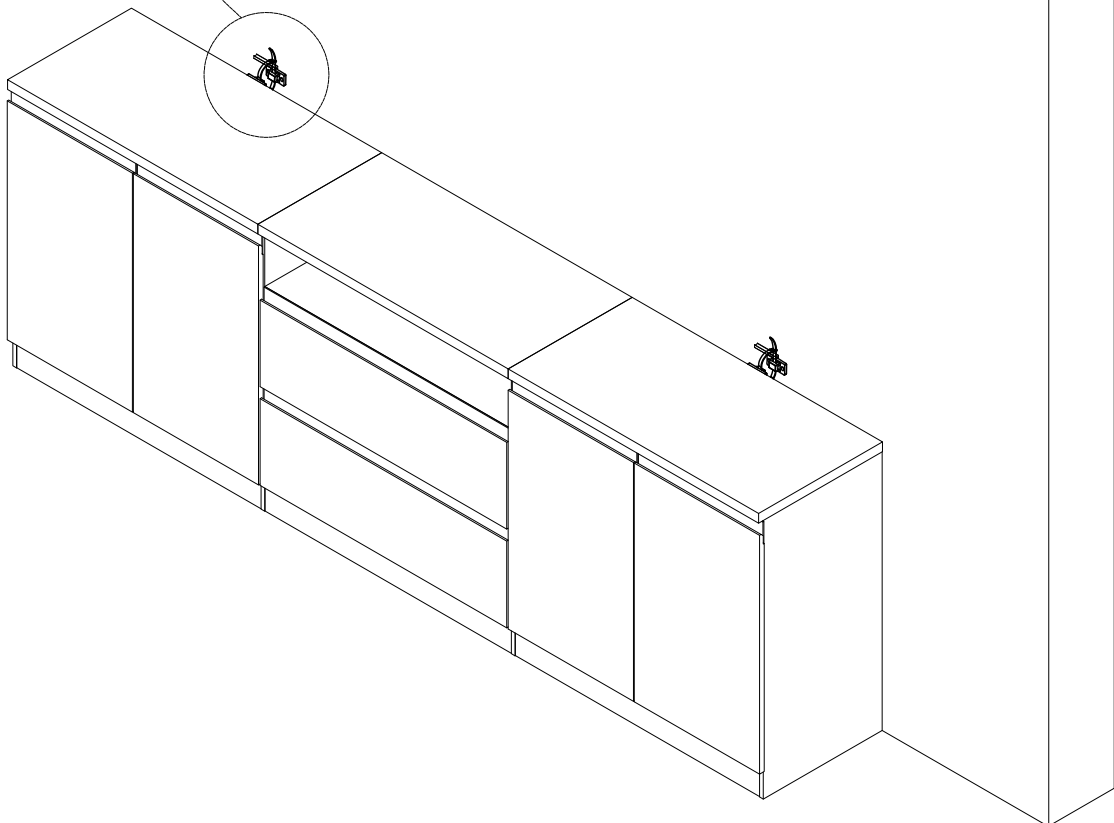
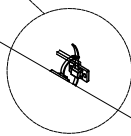
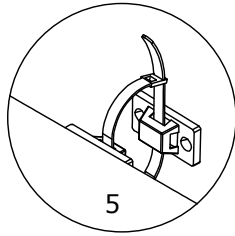
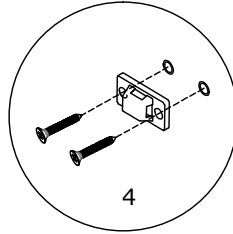
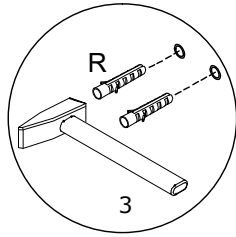
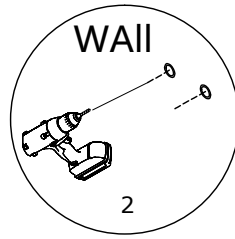
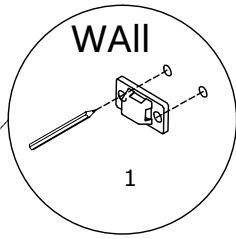
Install the anti-tip device to ensure safety and stability.



# 28



Install the anti-tip device to ensure safety and stability.



## Adjusting the doors (adjusting the hinges)

