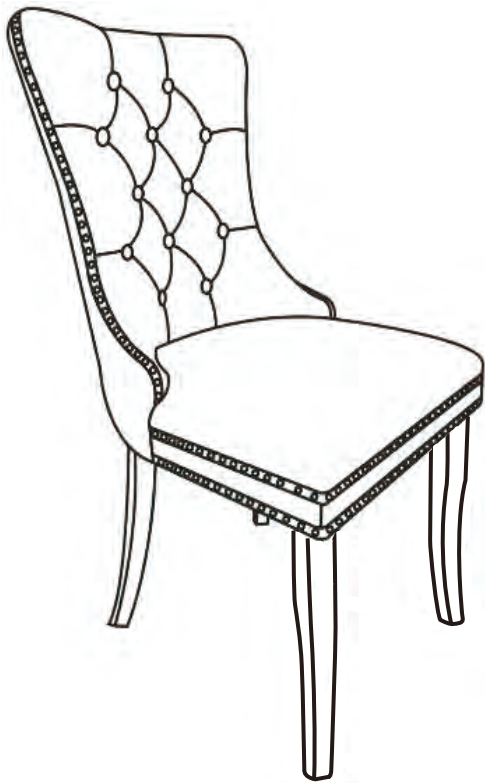


# Dining Chair

## USER MANUAL



**PLEASE READ AND SAVE THIS INSTRUCTION FOR FUTURE USE.**

### **Only for domestic use.**

#### **Instructions for use:**

- Put the chair stably on a flat floor.
- Avoid the overload at the chair.
- Do not stand on the product or use this product as a step ladder.
- Do not use this product unless all bolts, screws and knobs are firmly secured.
- Please do not use knife to open any parts of the box or product.
- Building the chairs in good condition.
- Stay away from open flames. Do not expose it to extreme temperatures or moisture.
- Do not allow children to assemble or play around the chair.

#### **Precautions before assembly:**

- Prepare a clean and dry mounting area.
- Verify that the product is not damaged.
- Check that none of the pieces are missing.

#### **Maintenance:**

- Clean the surface with a mild detergent and a soft cloth.
- Avoid using harsh chemicals or abrasive cleaners, as they may damage the chair's surface.
- Inspect the chair regularly for any signs of wear or loose parts.
- Keep the chair away from direct sunlight to prevent fading or discolouration.
- The fabric should be stored completely dry, in a clean and dry place to avoid the risks of mould.

*Beware of crushing and cutting hazards during assembly. The manufacturer declines all responsibility in case of damages due to a bad installation or withering.*

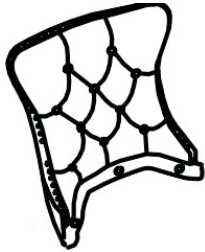
*If you have any questions or encounter any issues with the chair assembly or usage, please contact the seller for assistance.*

*We hope you enjoy using your new chair!*



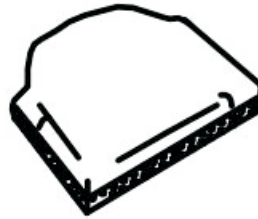
# PART LIST

A\*1



Backrest

S\*1



Seat

B\*2



Front Leg

C\*2



Rear Leg

D\*2



Adjust Cap

E\*9



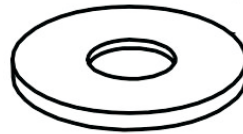
Screw  
M8\*50mm

G\*2



Screw  
M8\*40mm

H\*11



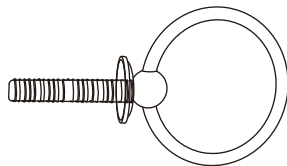
M8\*22mm  
Flat Washer

K\*1



Allen Key  
M8

L\*1

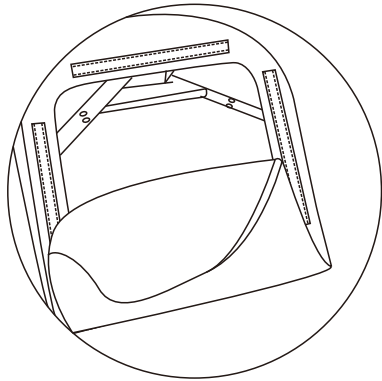


Ring

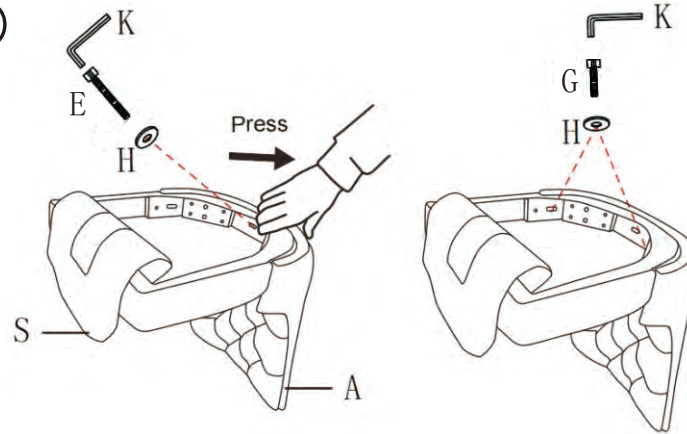


# INSTALLATION

- ① The legs are hidden under the seat frame.



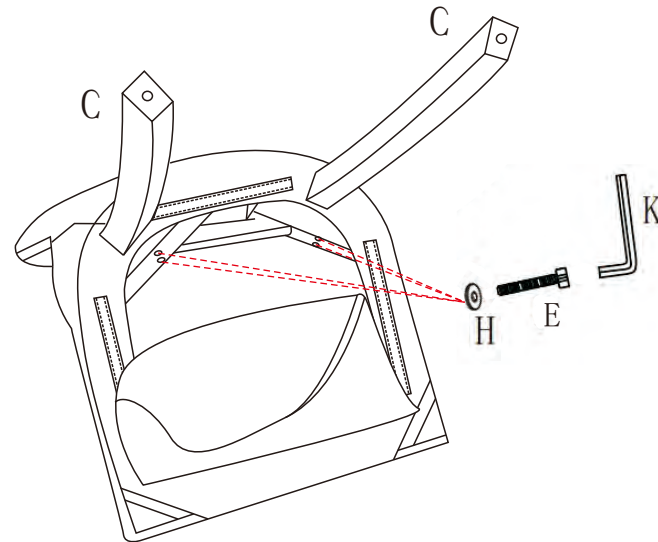
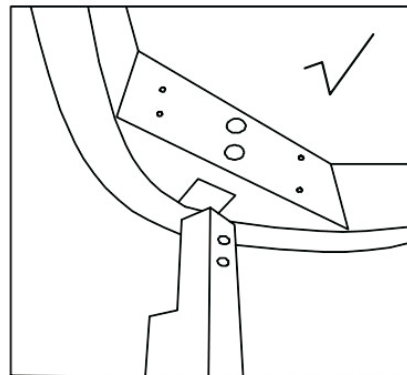
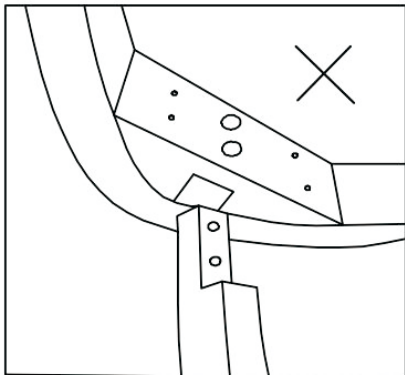
- ②



First install the central screw and tighten it to 70%, then install the screws on both sides and tighten them to 80%.

- ③

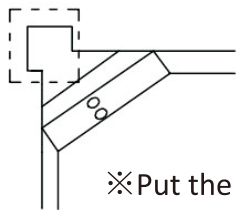
Tighten all the screws to 80% of maximum tightness.





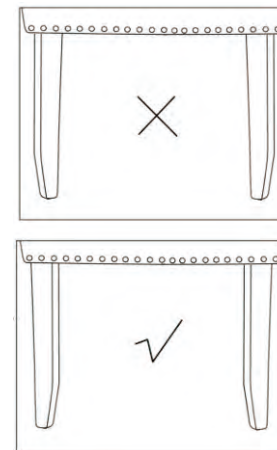
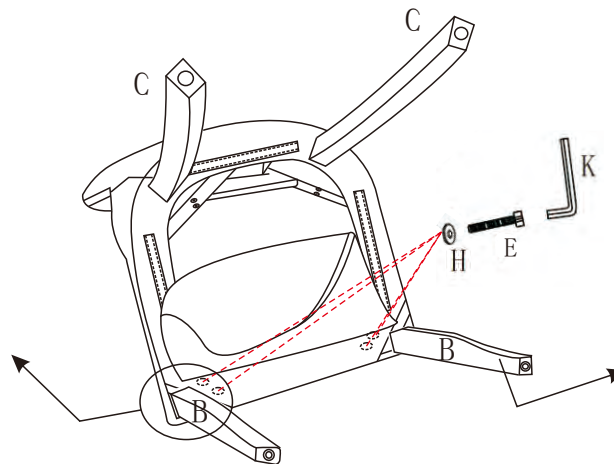
# INSTALLATION

④



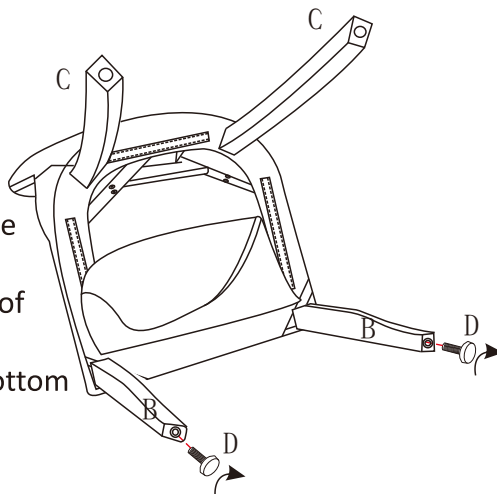
※Put the front leg in the dotted box place. If you put it in the wrong place, it still can work, but the uneven force will cause the leg to break.

Tighten all the screws to 80% of maximum tightness.

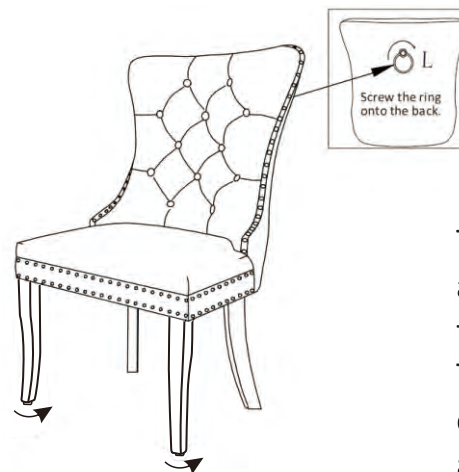


⑤

1. put screw D into the legs
2. Carefully sit on the chair and make adjustments to ensure the legs are flat even on the floor.
3. Tighten all the screws to 100% of maximum tightness.  
Close the magic tape of the bottom Non-Woven fabric.



⑥



To ensure the chair sits level, adjust the 2 small adjusters on the front legs.  
Tighten one and loosen the other until the desired level is achieved.