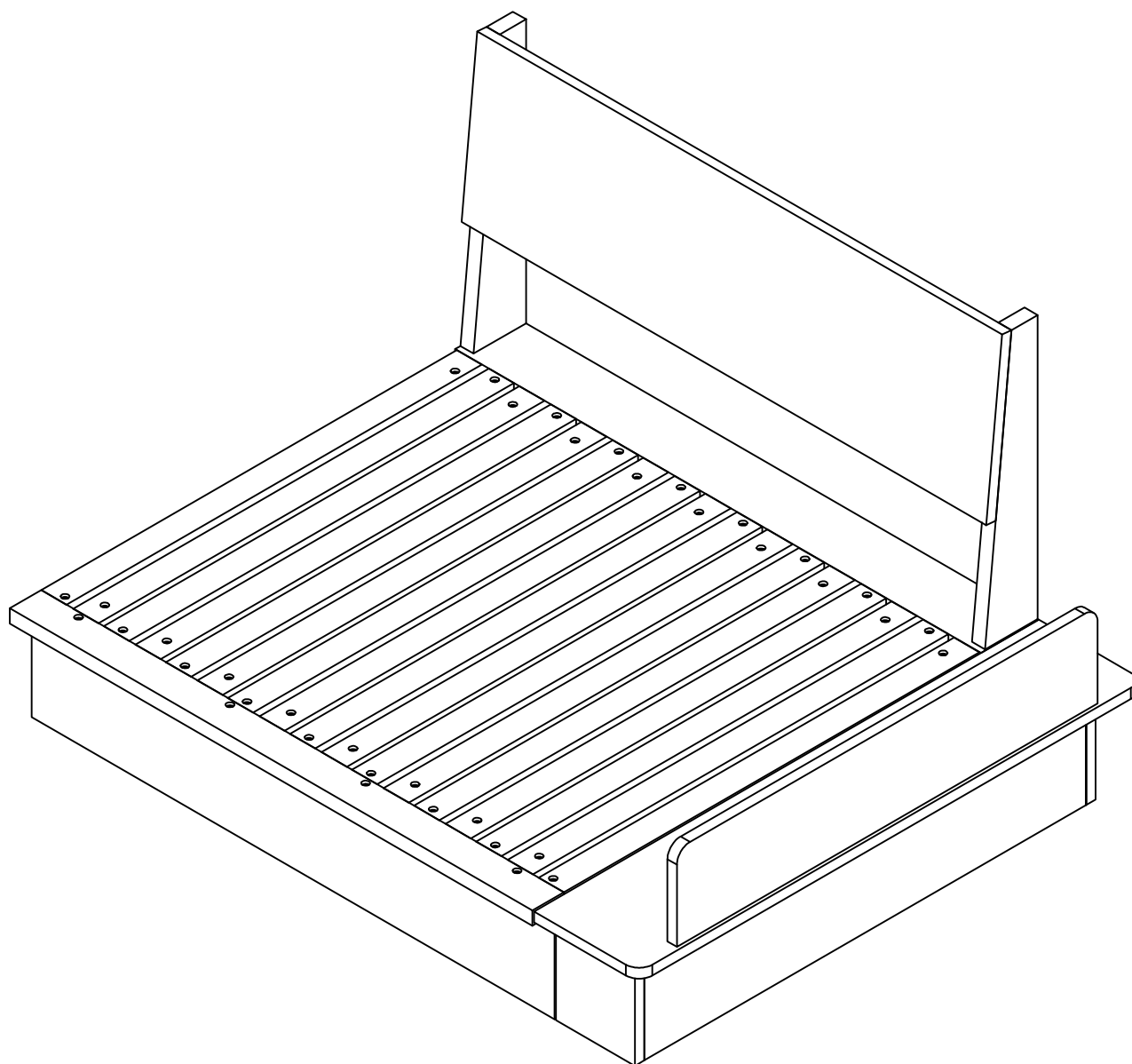


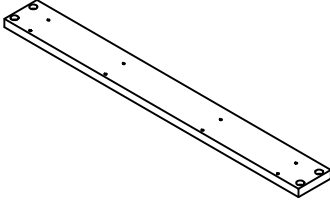
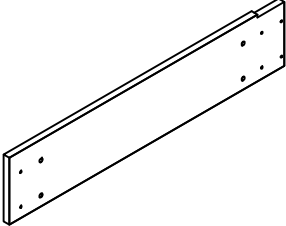
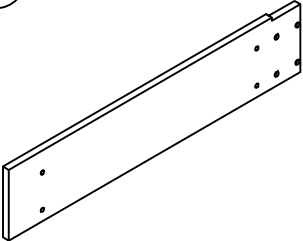
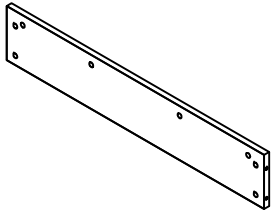
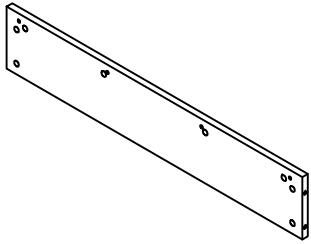
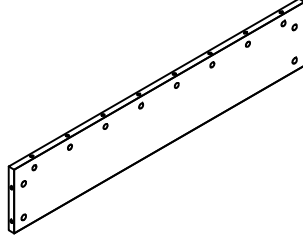
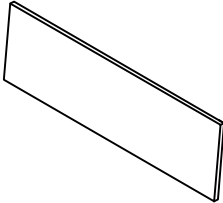
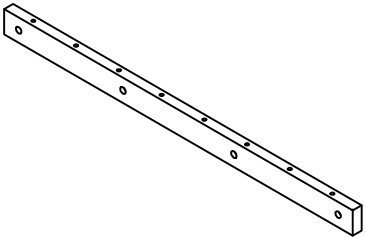
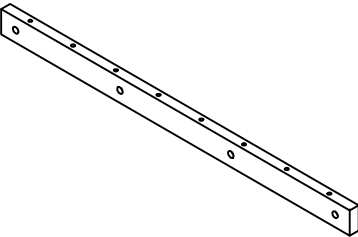
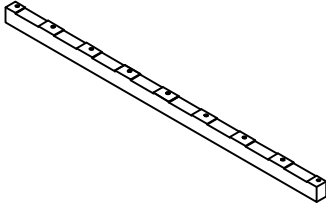
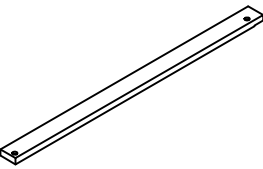
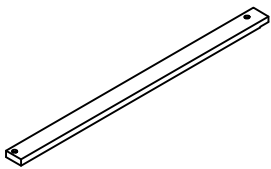
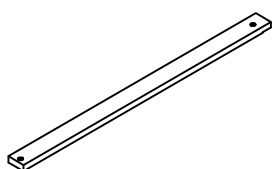
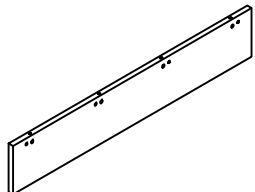
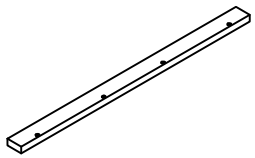
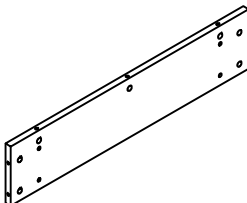
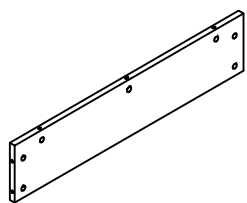
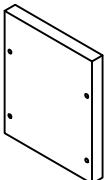
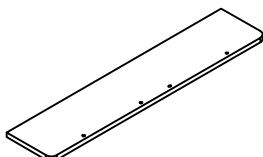
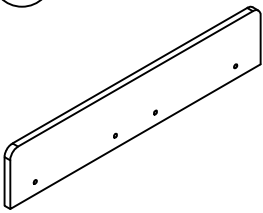


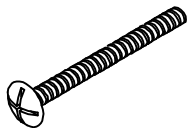
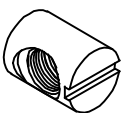
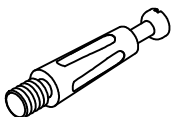


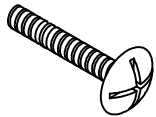

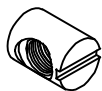


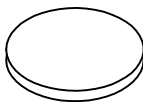
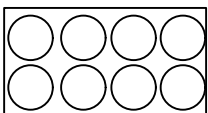

USER'S MANUAL S2311K 1.2M SOFA

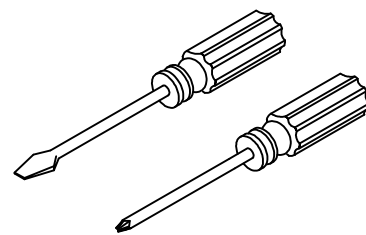


PARTS LIST

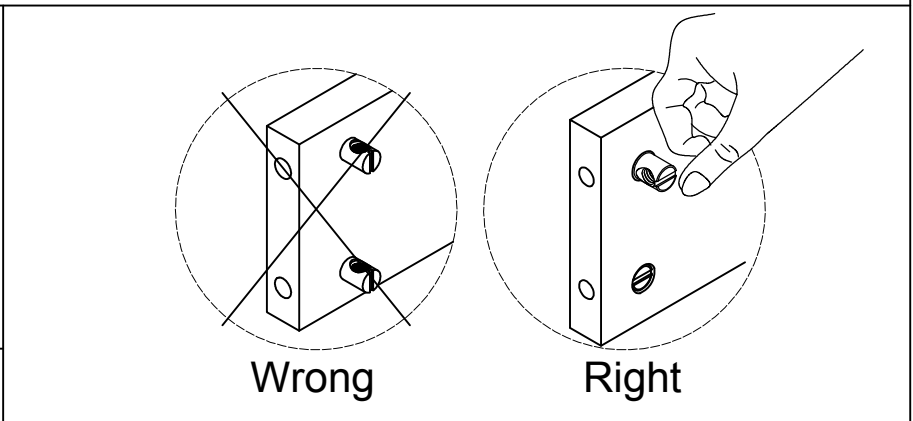
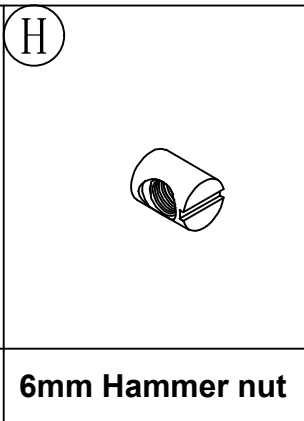
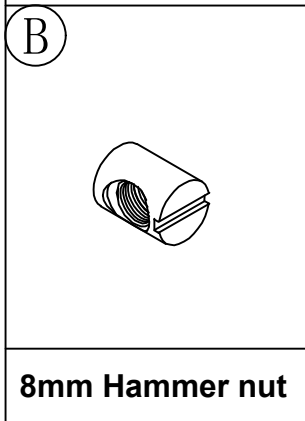
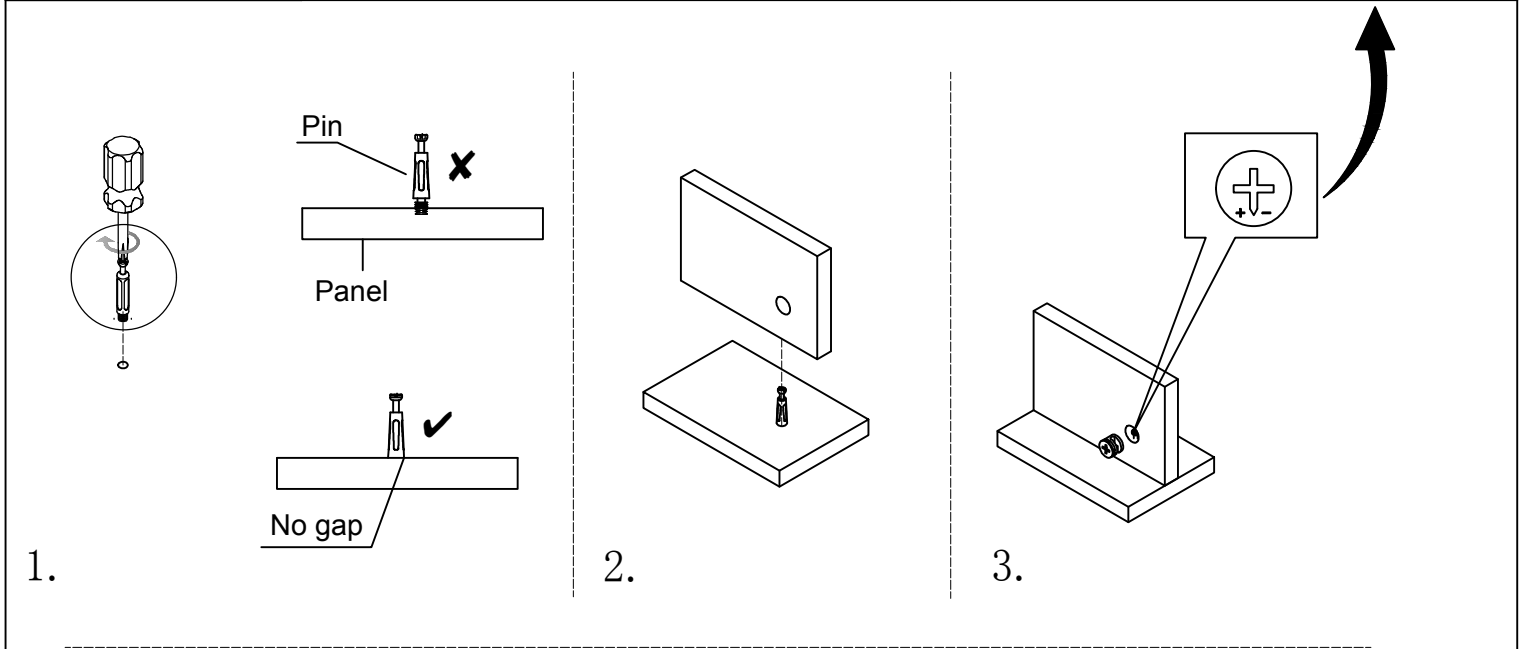
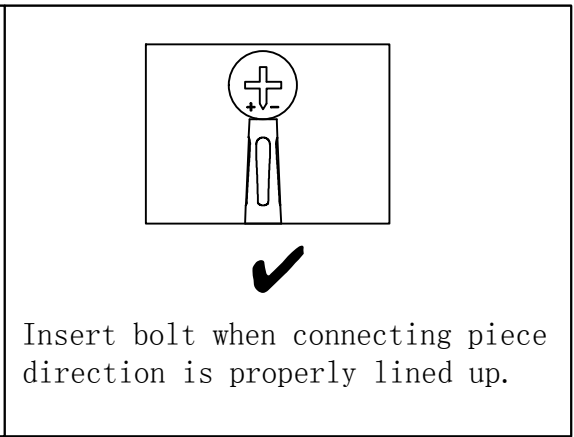
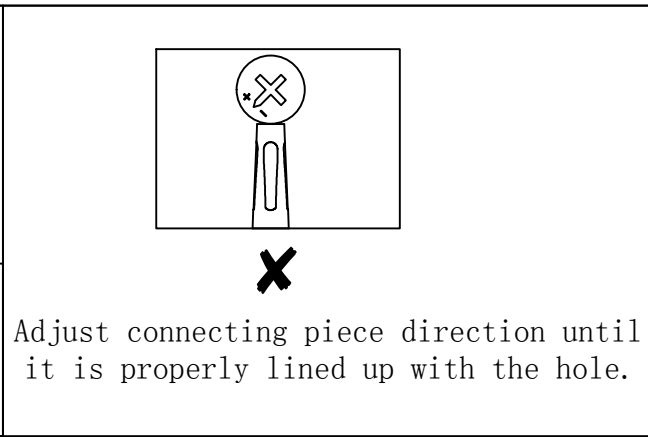
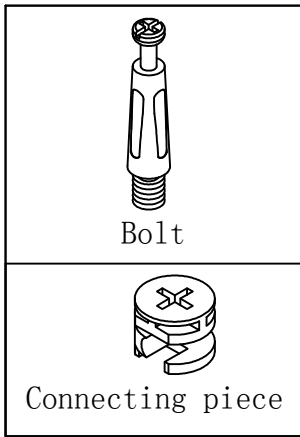
①		②		③		④	
Left back support panel x1		Right back support panel x1		Back top panel x1		Left side panel x1	
⑤		⑥		⑦		⑧	
Right side panel x1		Back side panel(inside) x1		Back side panel(outside) x1		Front panel x1	
⑨		⑩		⑪		⑫	
Backrest panel x1		Base back rod(962) x1		Base back rod(958) x1		Pine wood rod x1	
⑬		⑭		⑮		⑯	
Left seat panel x1		Right seat panel x1		Seat panel x15		Front panel of extendable base frame x1	
⑰		⑱		⑲		⑳	
Front panel of extendable base frame x1		Arm side panel x1		Arm side panel x1		Arm front&back panel x2	
㉑		㉒					
Arm top panel x1		Arm cushion support panel x1					

HARDWARE LIST

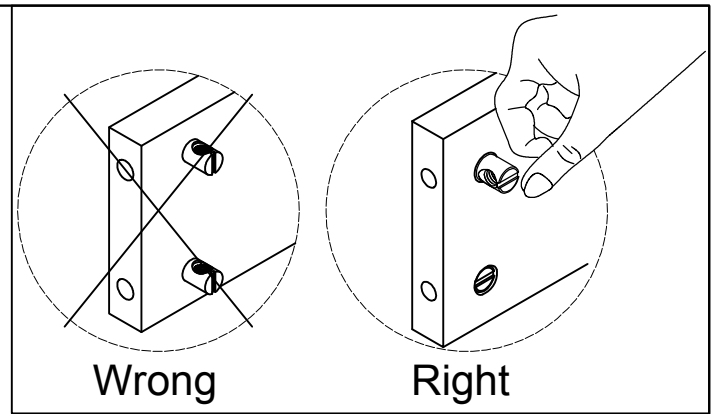
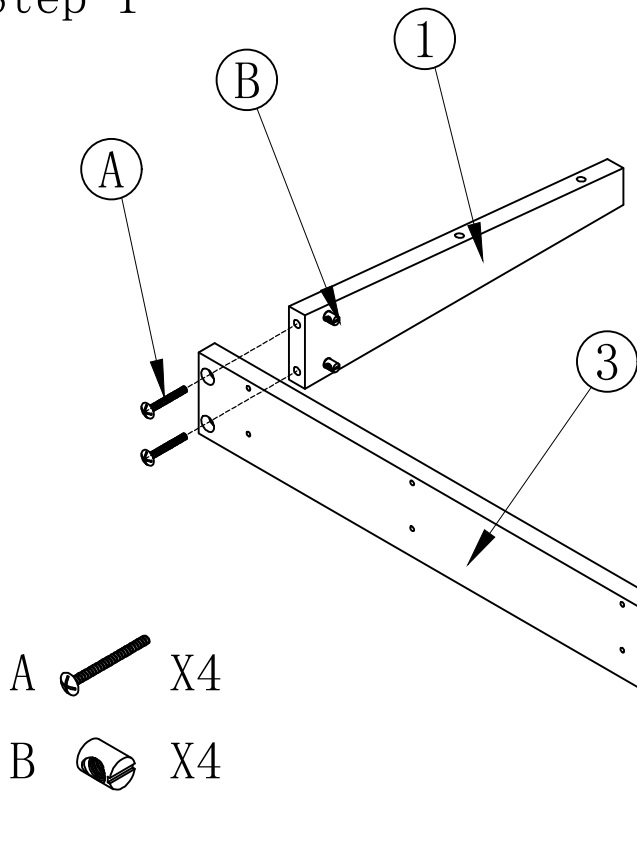
(A) 	(B) 	(C) 	(D) 	(E) 
8*55 Screw x8	8mm Hammer nut x4	3 in 1 Screw x18	3 in 1 Nut x18	6mm Ring x50
(F) 	(G) 	(H) 	(I) 	(J) 
6*25 Screw x8	6*50 Screw x41	6mm Hammer nut x32	6mm Connecting nut x16	6*30 Threaded rod x8
(K) 	(L) 	(M) 		
Pad x20	Hole sticker x28	6*70 Screw x17		





phillips head screw driver required
for assemble—not include



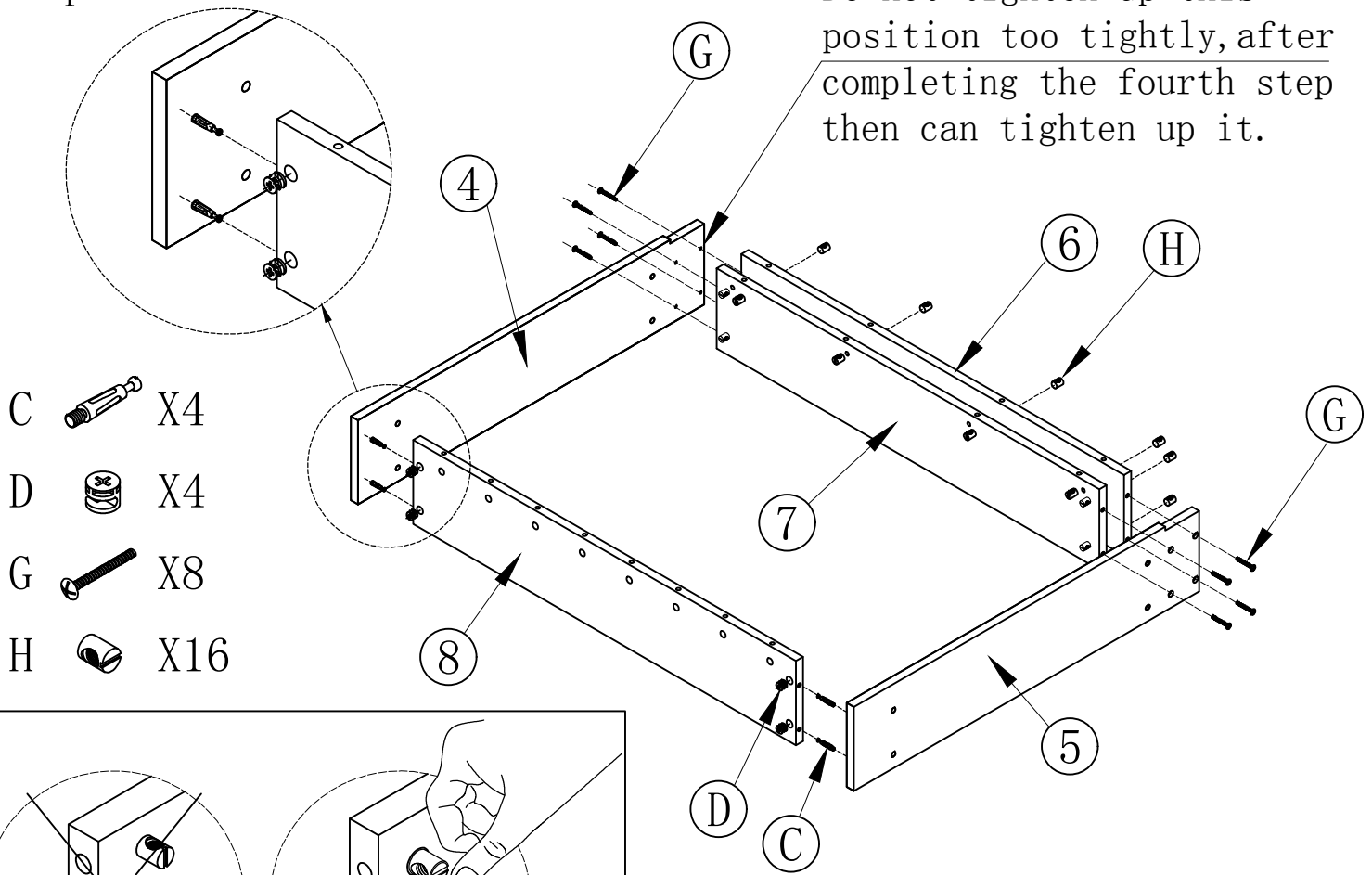
Step 1







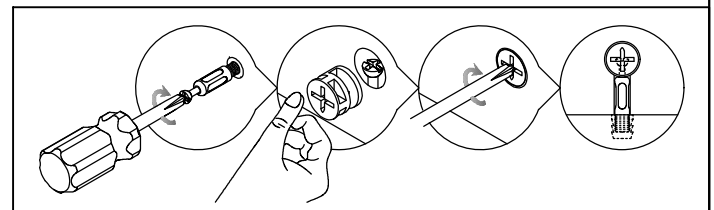
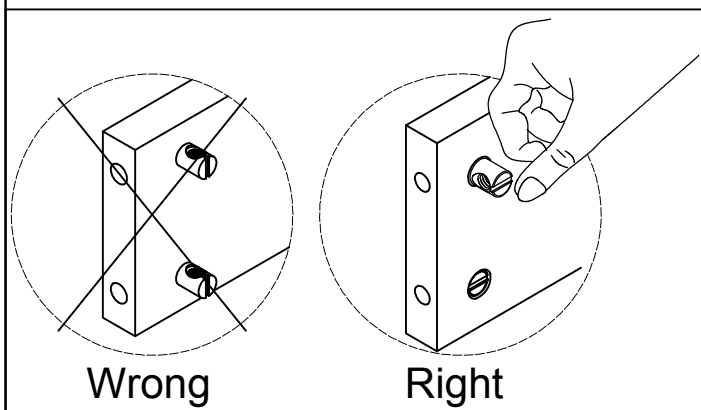
- A  X4
- B  X4

Step 2

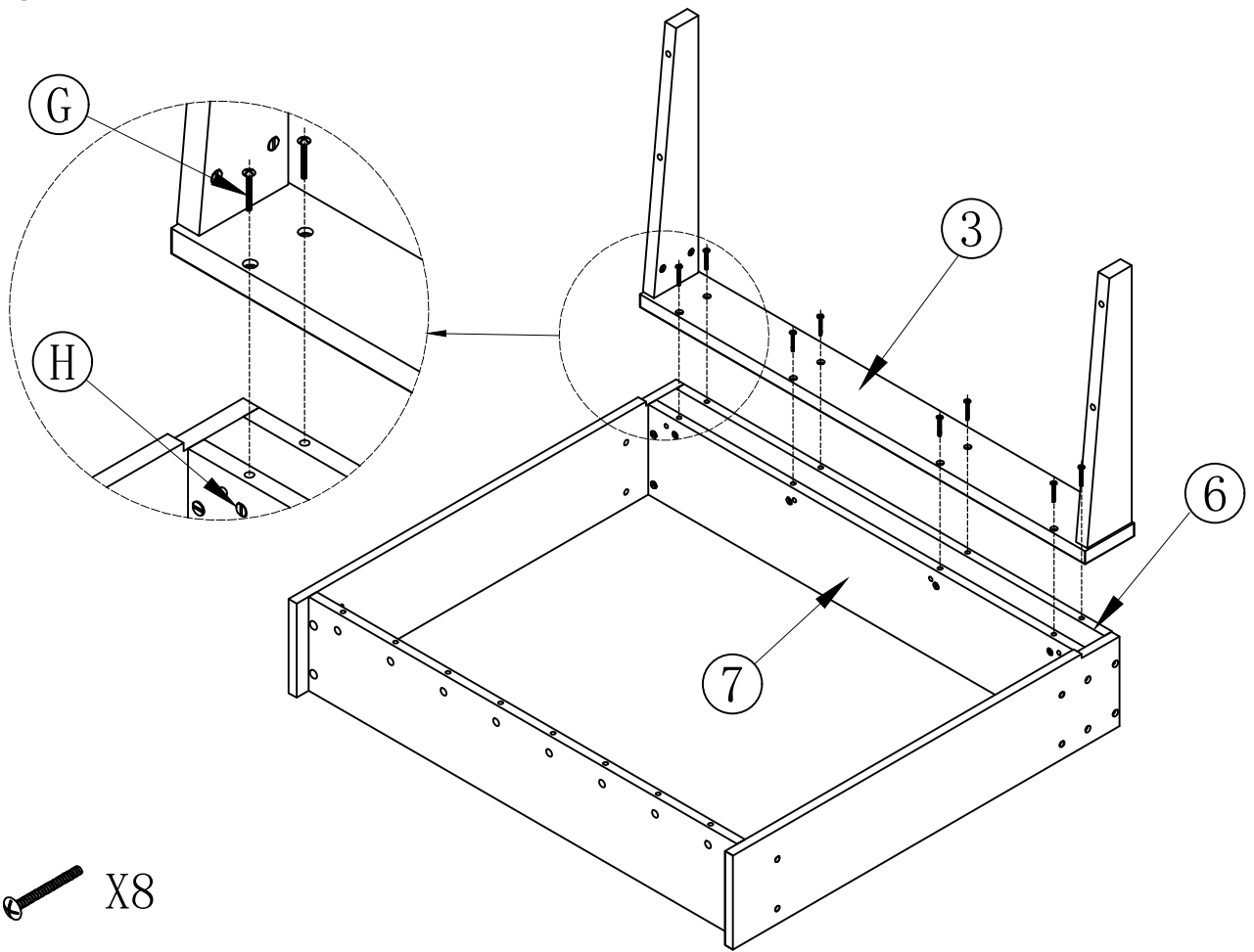
Do not tighten up this position too tightly, after completing the fourth step then can tighten up it.



- C  X4
- D  X4
- G  X8
- H  X16

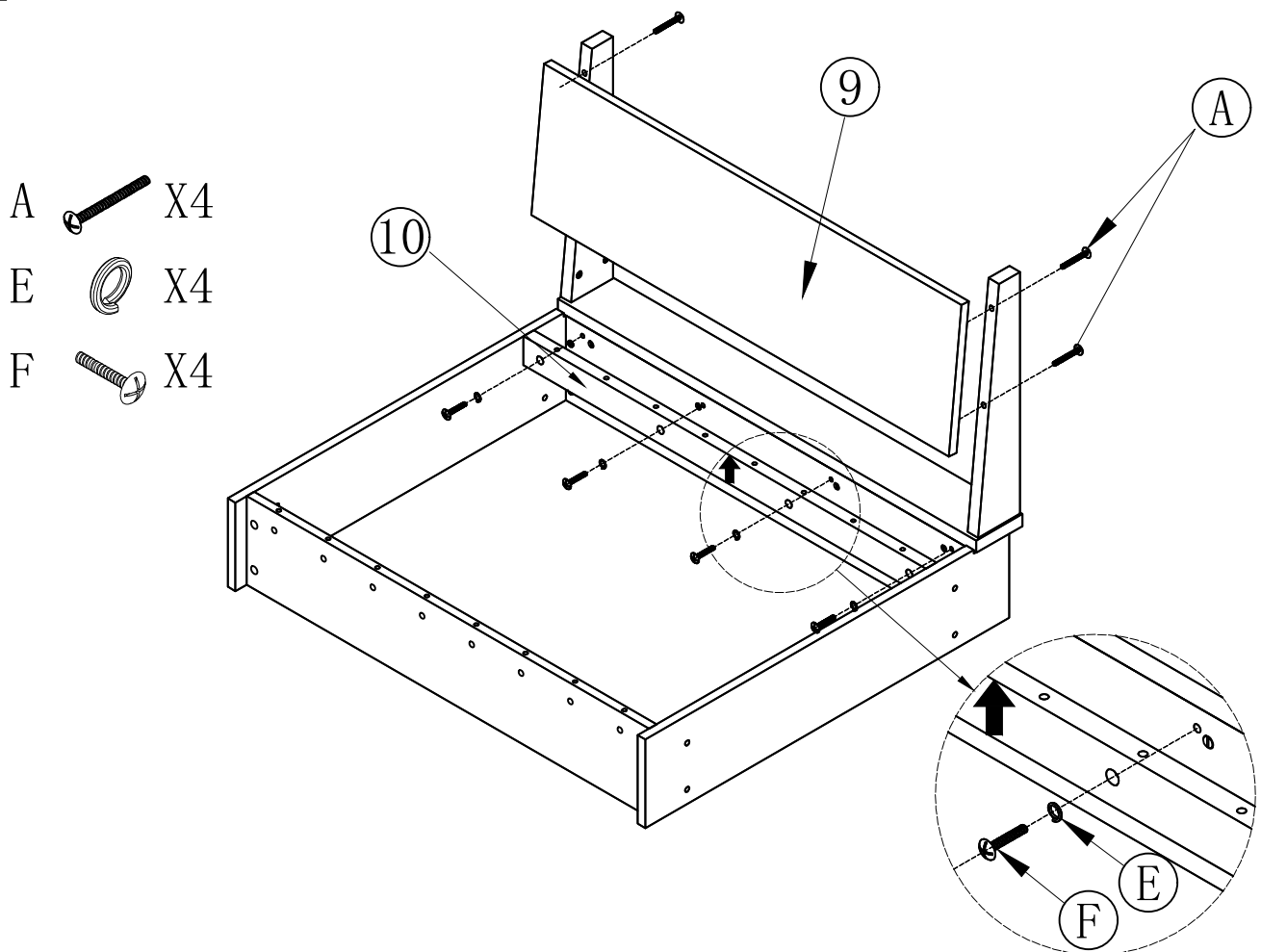


Step 3



G  X8

Step 4

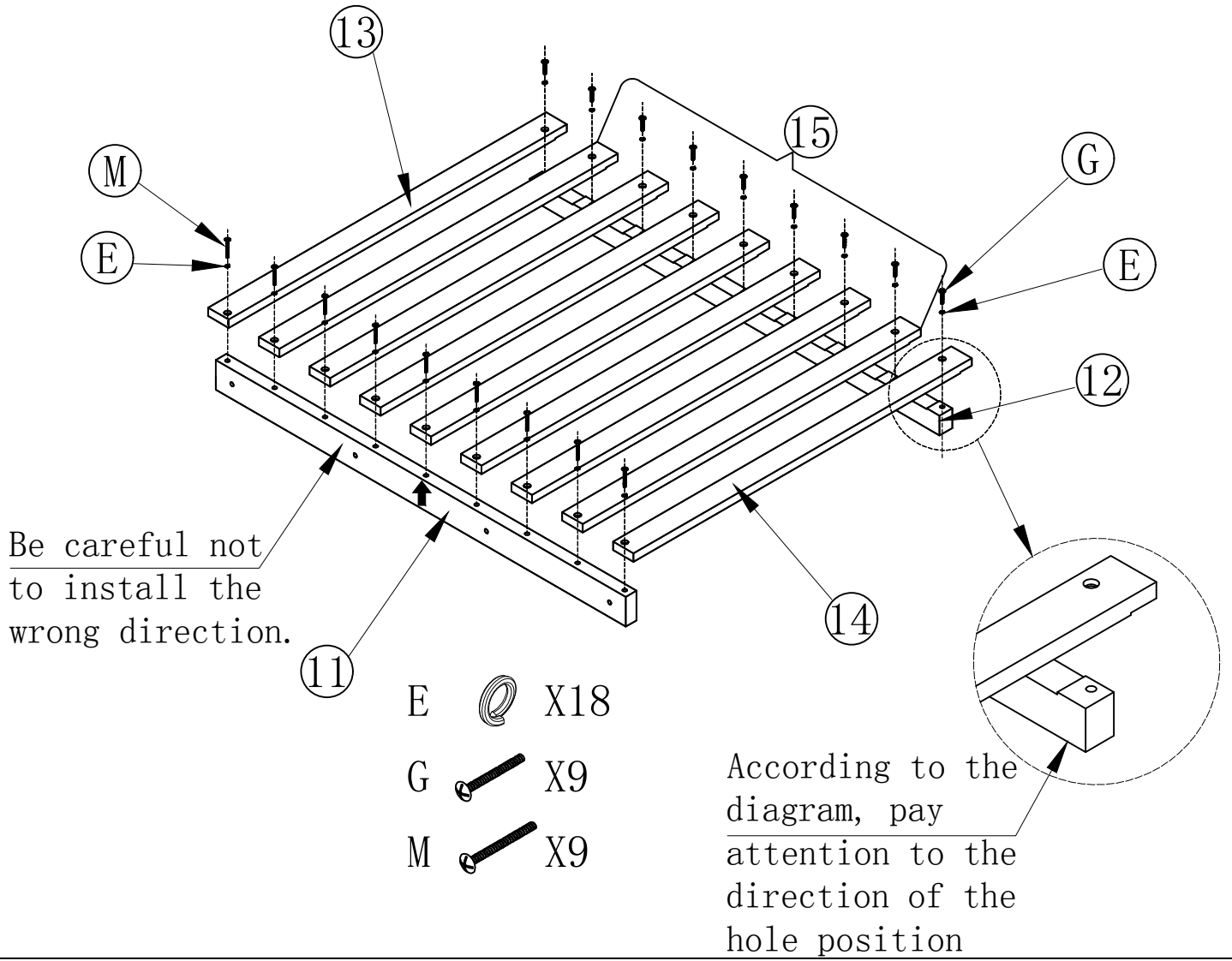


A  X4

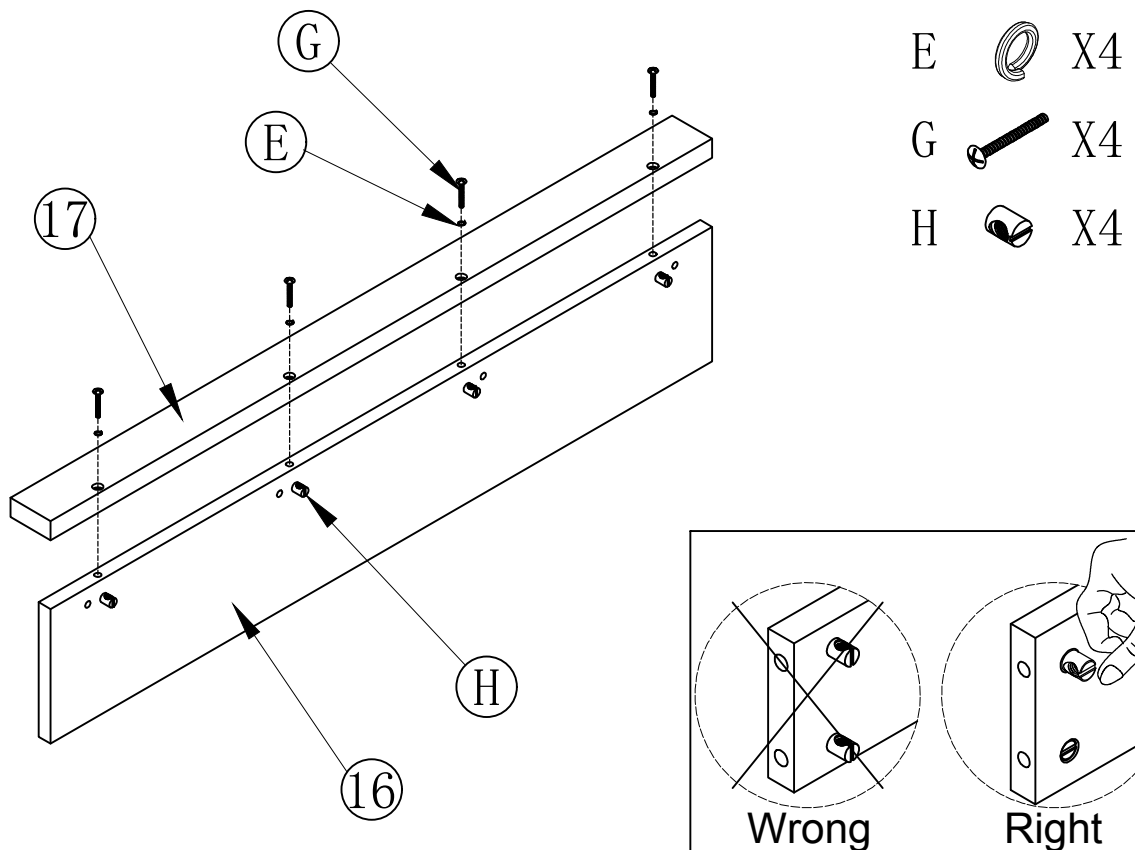
E  X4

F  X4

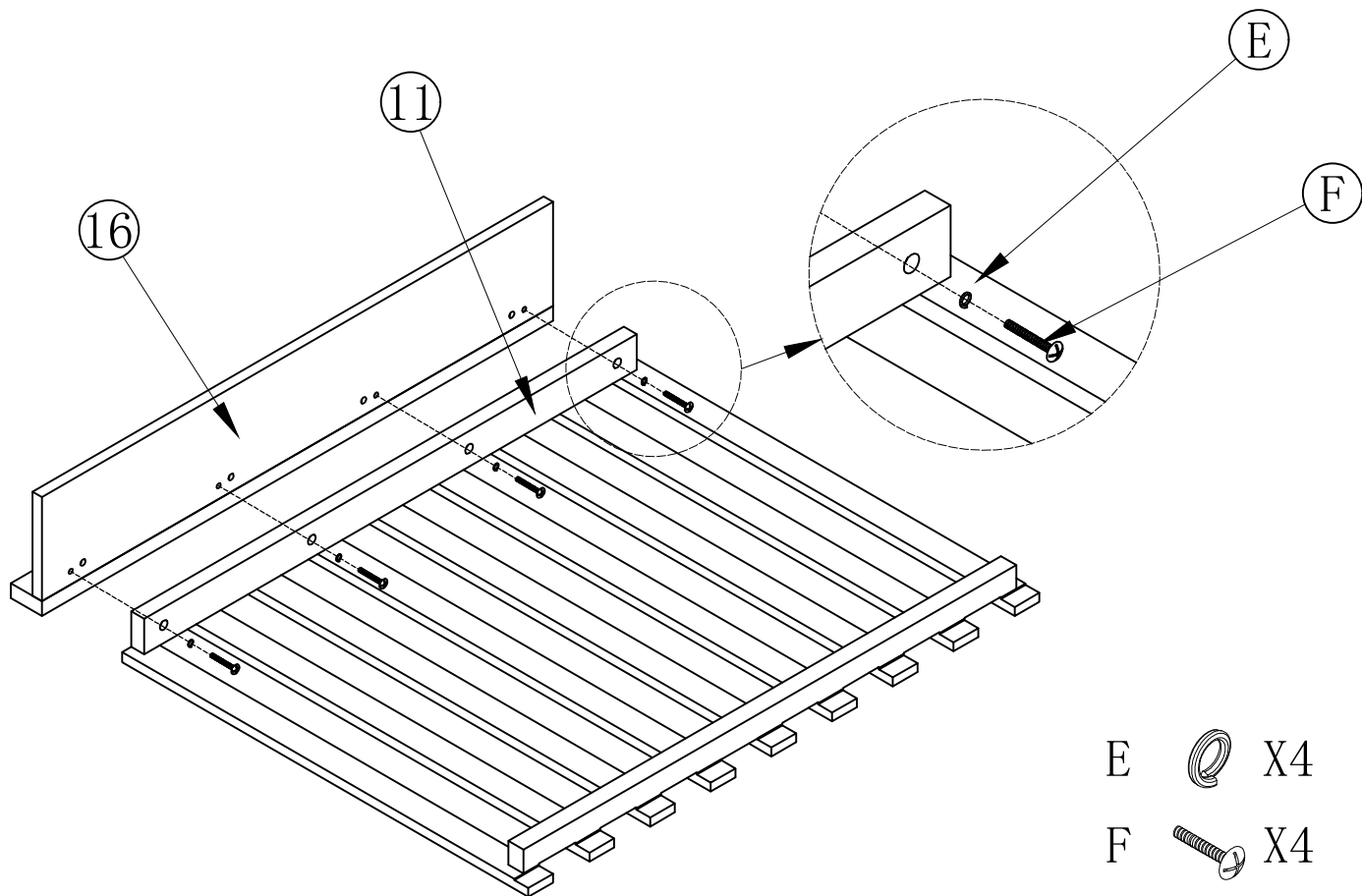
Step 5



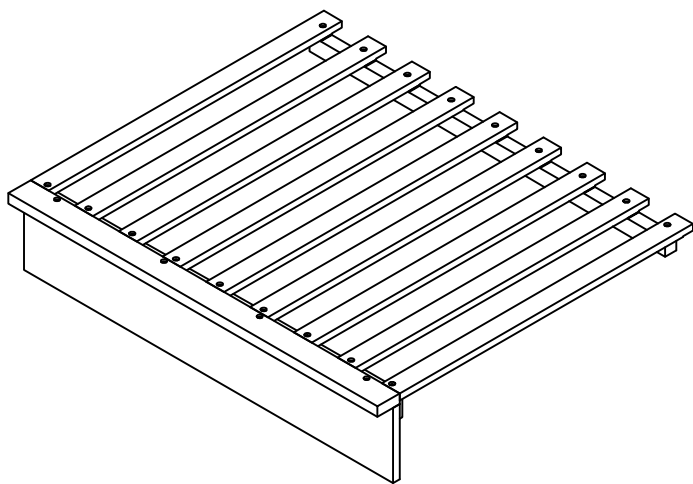
Step 6



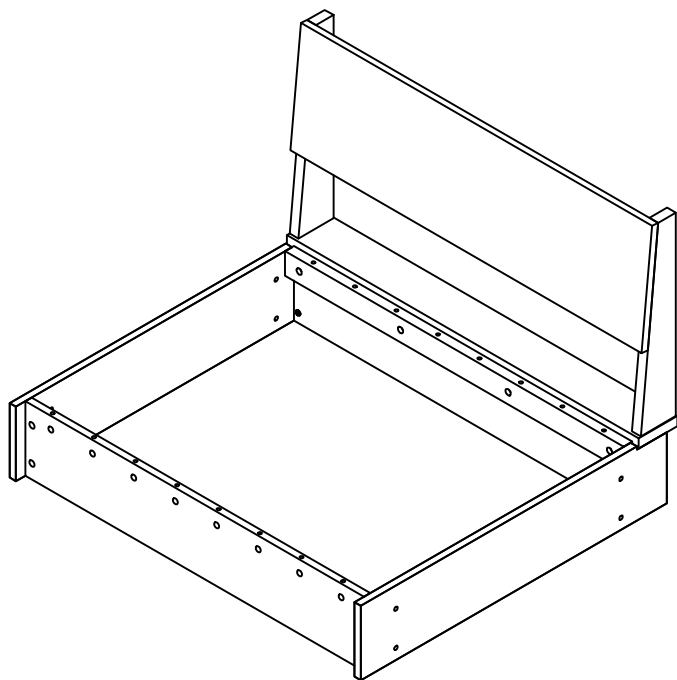
Step 7



Step 8



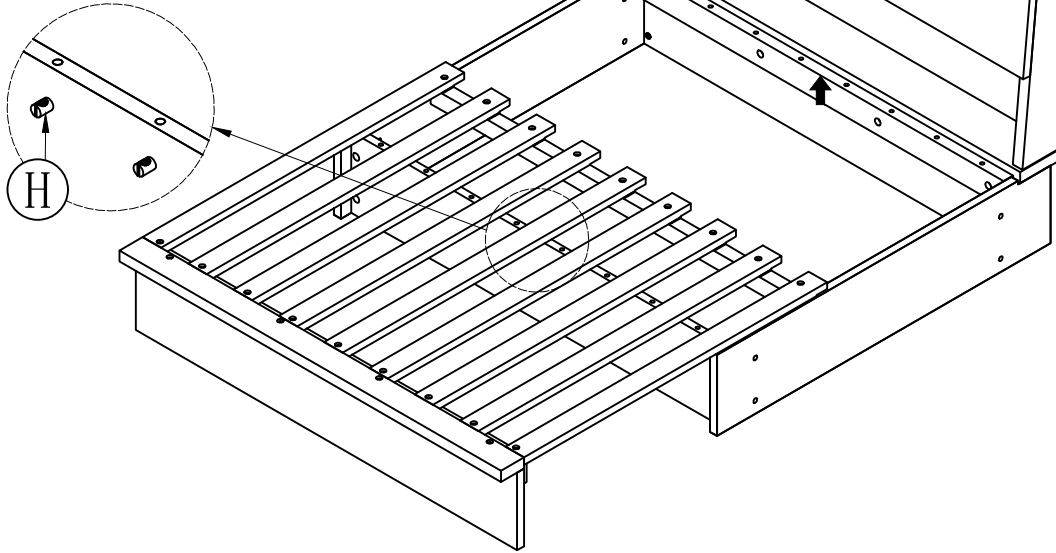
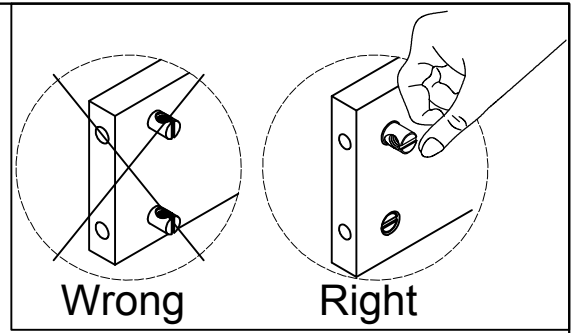
the completed assembly
extendable base frame



the completed assembly
base frame

Step 9

H  X8

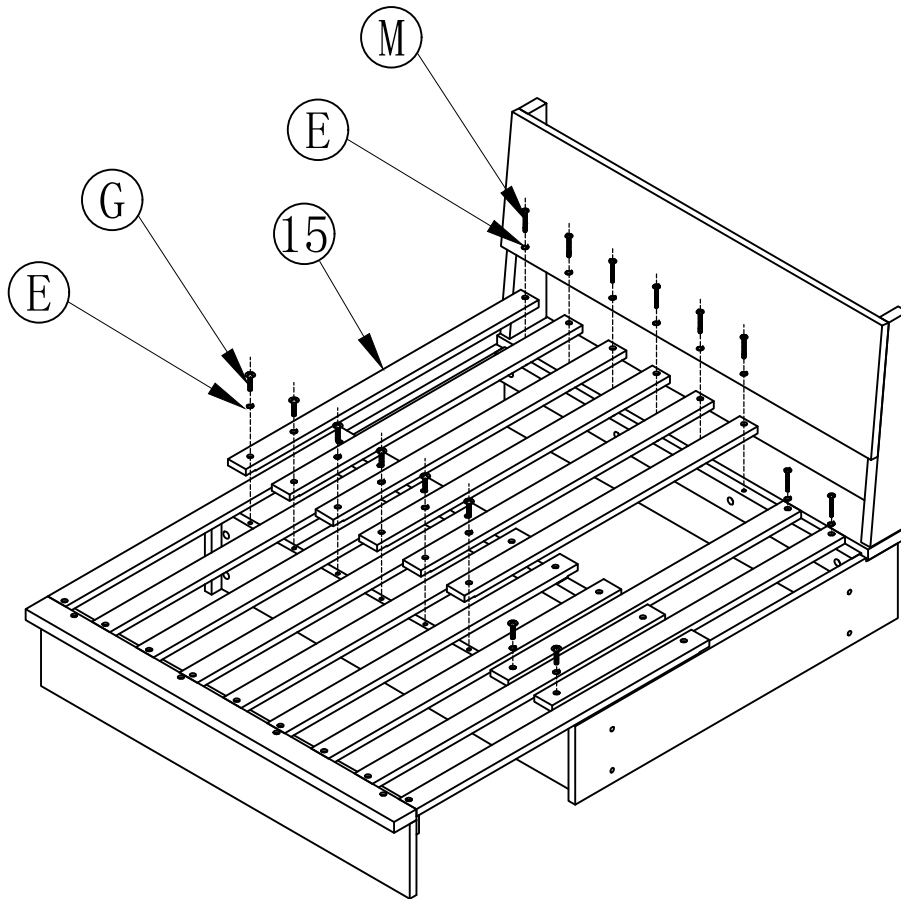


Step 10

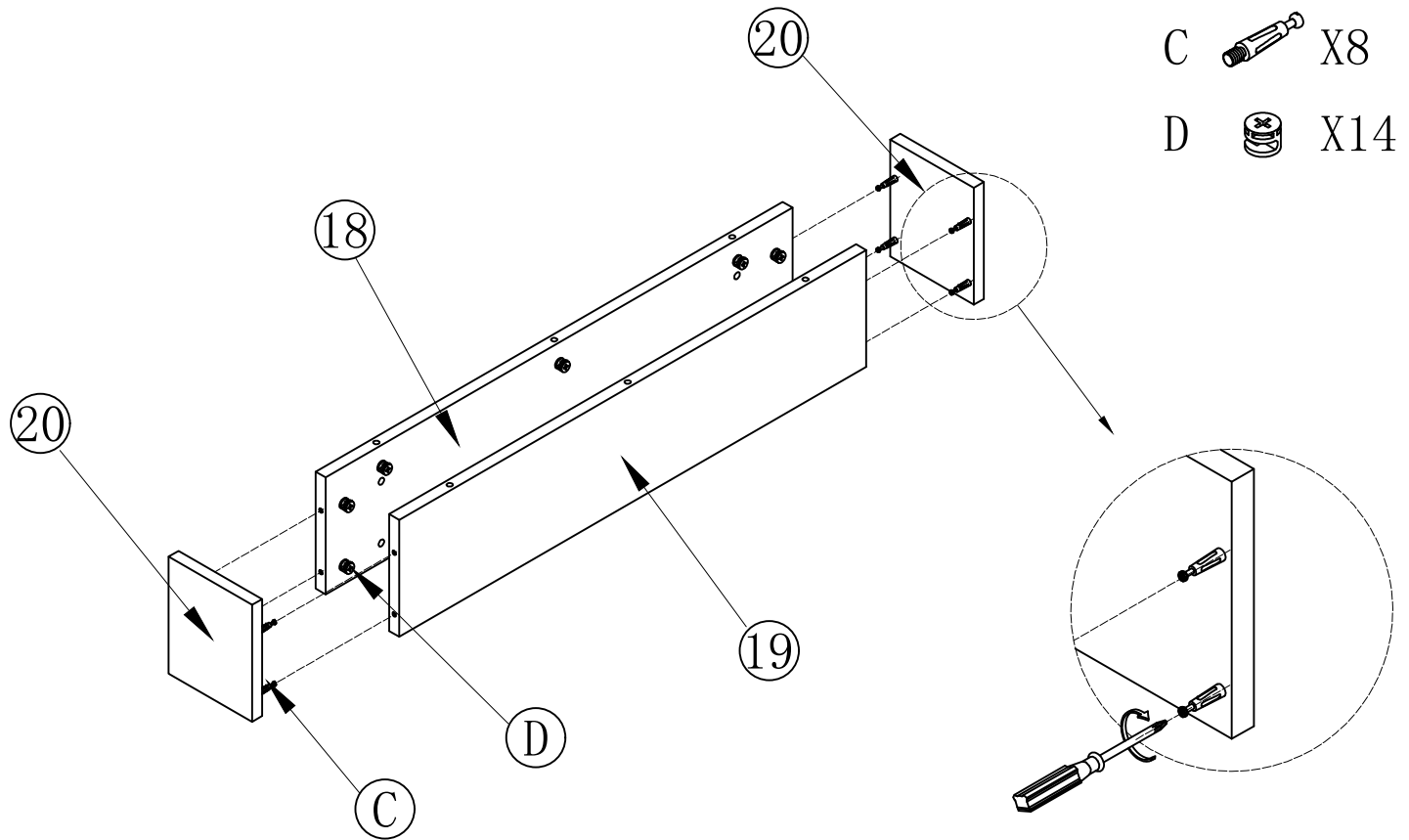
E  X16


G  X8

M  X8



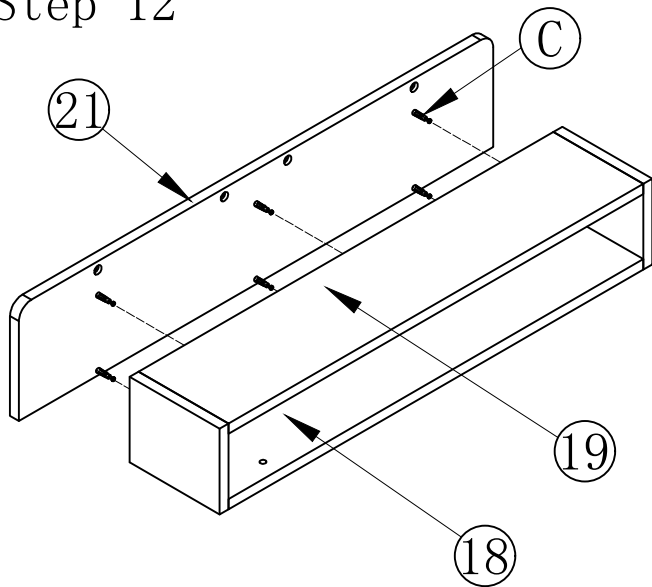
Step 11



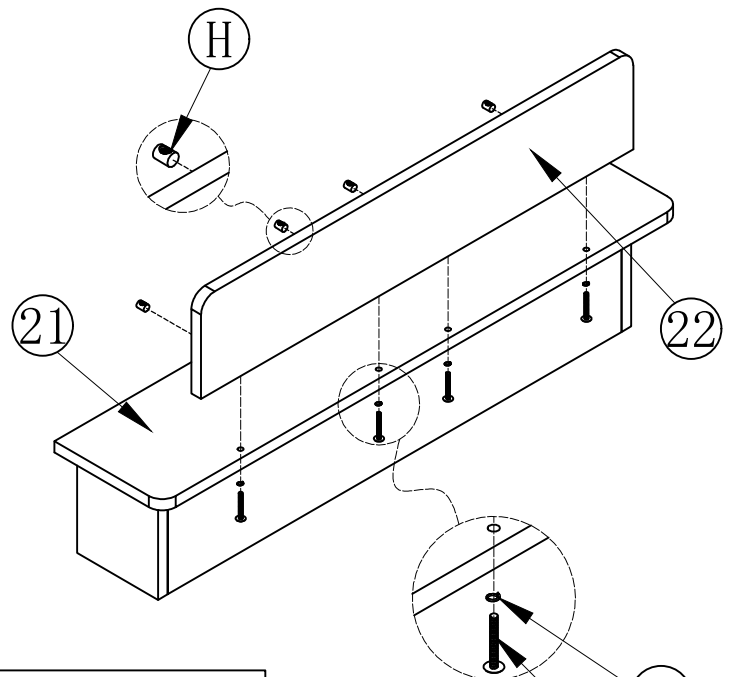
C  X8

D  X14

Step 12



C  X6

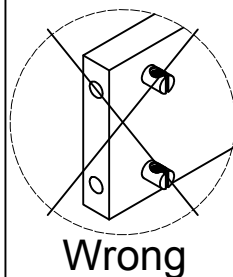


E  X4

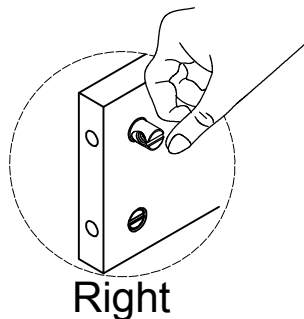
G  X4

H  X4

Please pay attention
on the direction

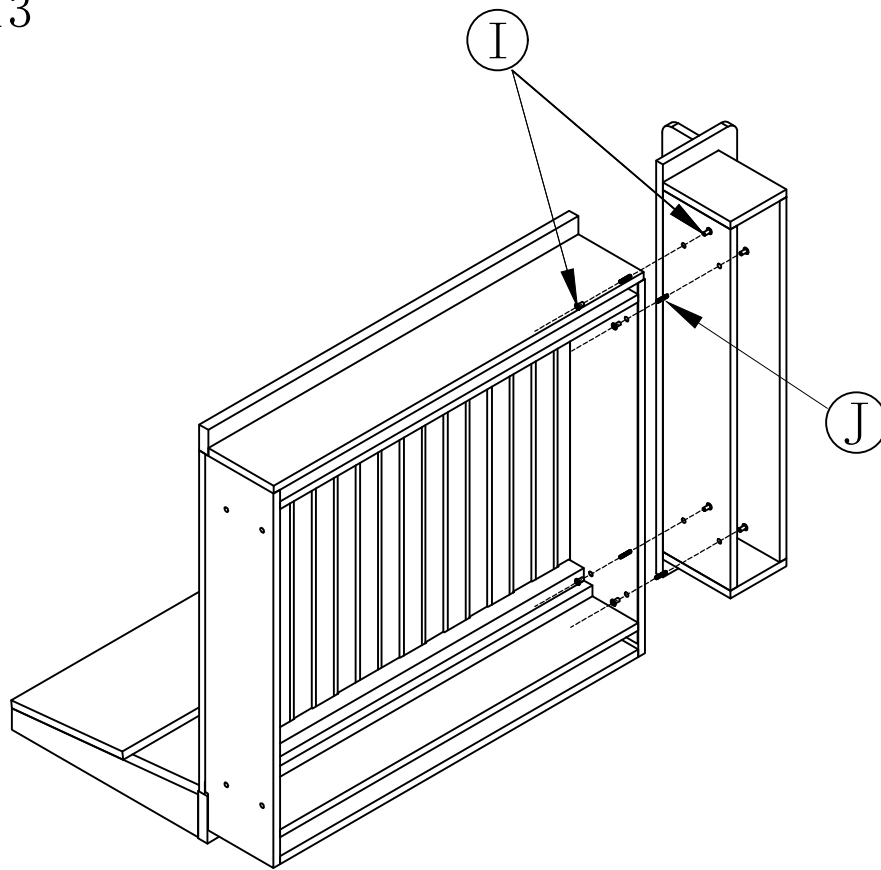


Wrong



Right

Step 13

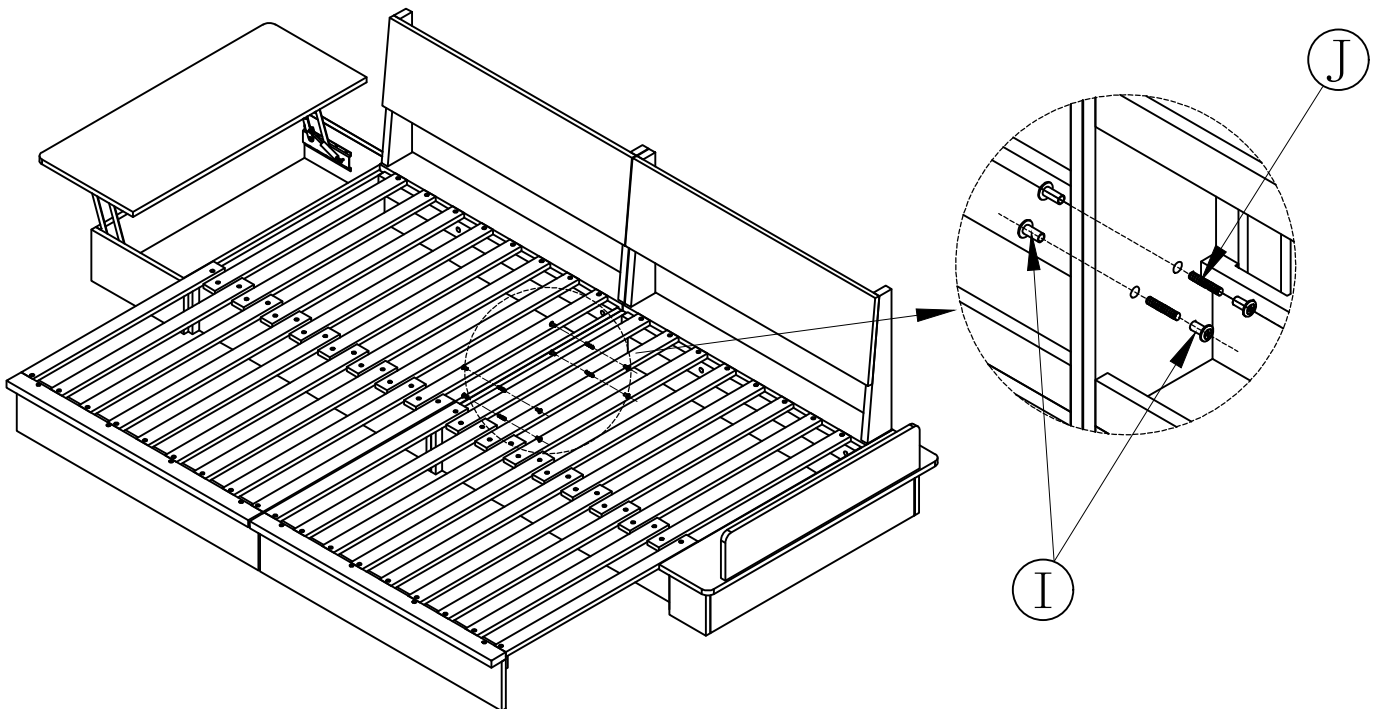


I  X8

J  X4

Please stick the **【K】** pad on bottom

Step 14

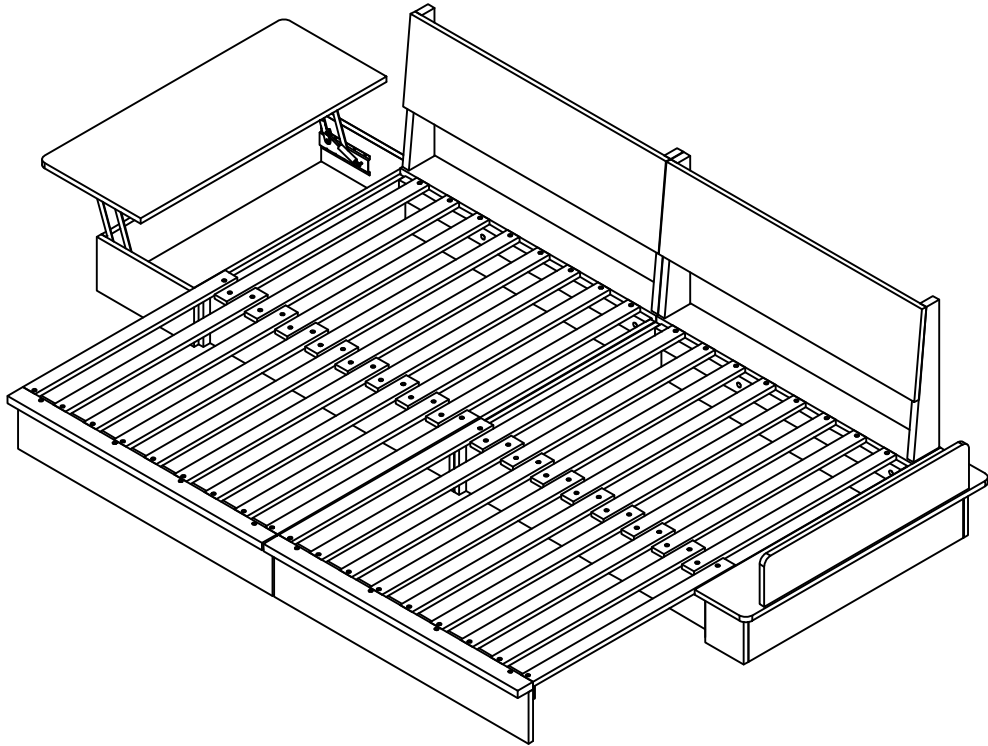


I  X8

J  X4

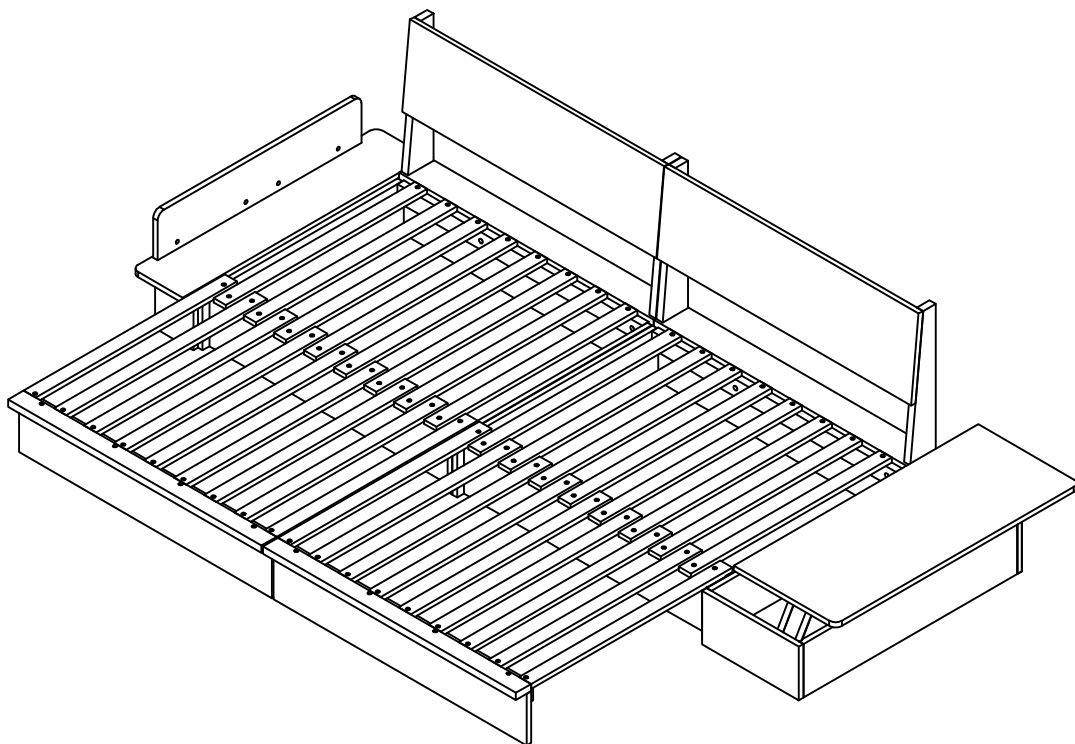
Extend the bottom frame and align the hole position

Step 15



The armrest is reversible

Step 16



The armrest is reversible