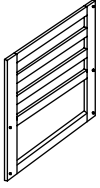
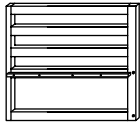
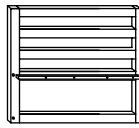
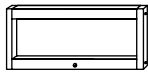
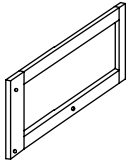
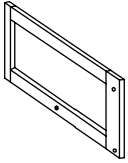
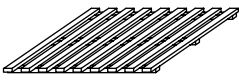

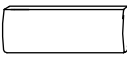
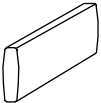
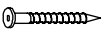

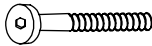

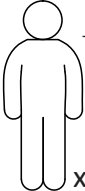
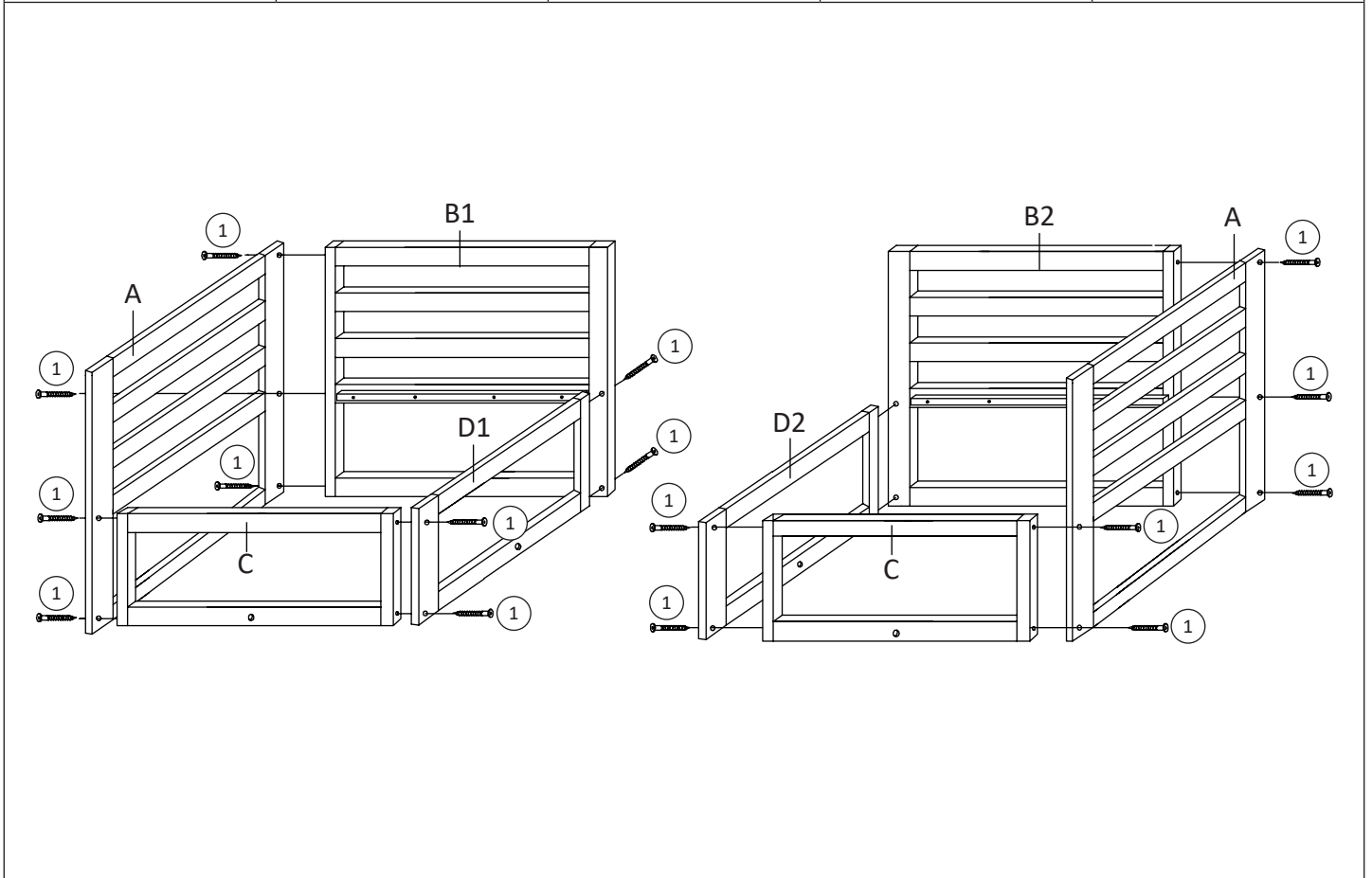
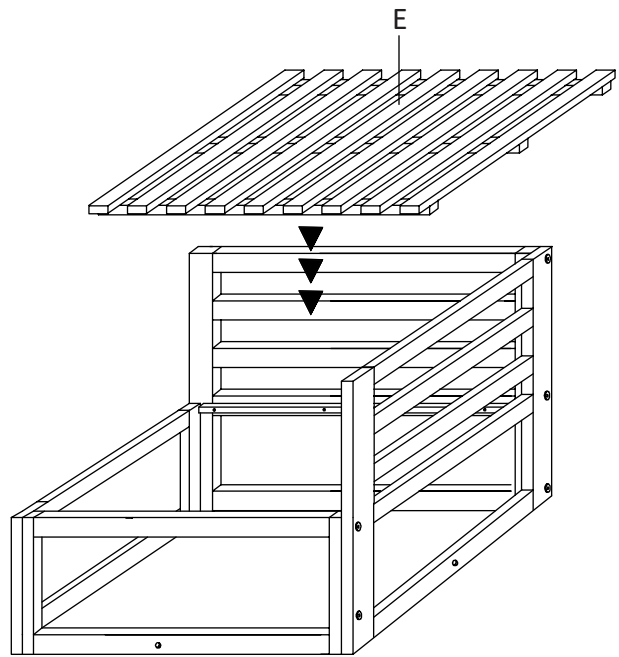
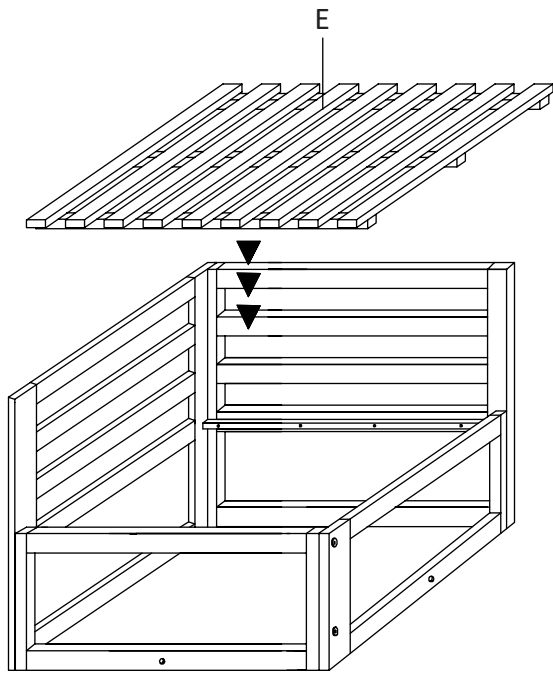
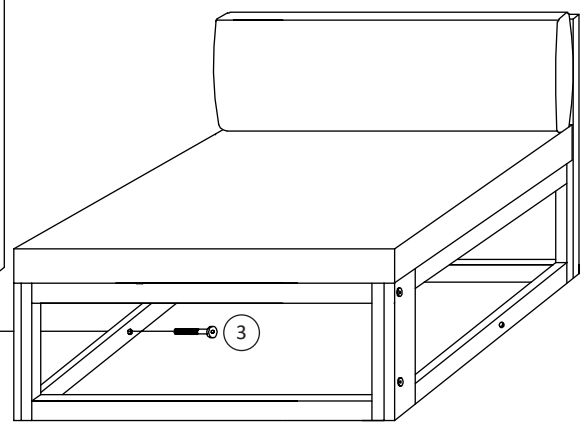
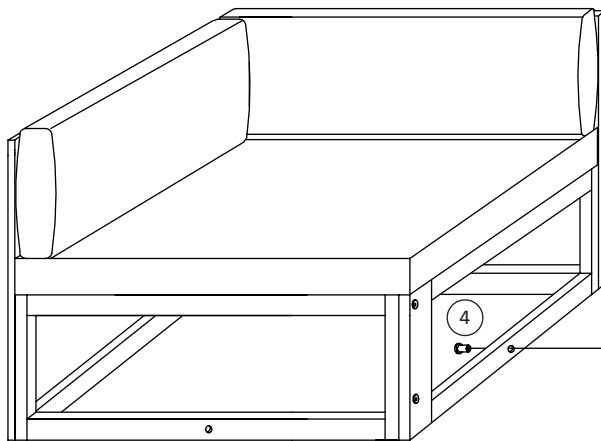


<p>Ax2</p> 	<p>B1x1</p> 	<p>B2x1</p> 	<p>Cx2</p> 	<p>D1x1</p> 
<p>D2x1</p> 	<p>Ex2</p> 	<p>Fx2</p> 	<p>Gx2</p> 	<p>Hx2</p> 
<p>① x18</p>  <p>M6x $\frac{60}{2.4}$</p>	<p>② x2</p> 	<p>③ x2</p>  <p>M6x $\frac{35}{1.4}$</p>	<p>④ x2</p>  <p>$\frac{6x15}{0.2x0.6}$</p>	 <p>mm inch</p> <p>x1</p>

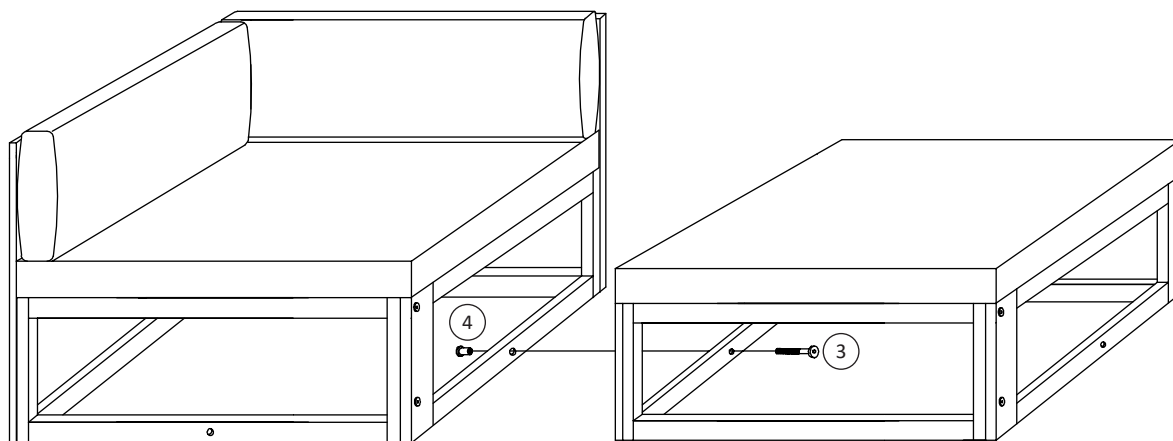




1 Corner+Middle



2 Corner+Foot Rest



3 Corner+Corner

