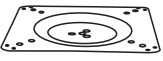














**ITEM NAME/NOM D'ITEM: TABLE**

**PARTS LIST/LISTE DES PIÈCES**

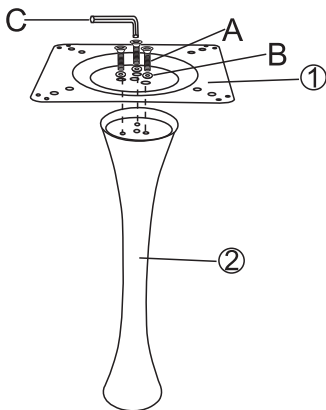
(1)	(2)	(3)	(4)	(5)
				
x1	x1	x1	x1	x1

(6)

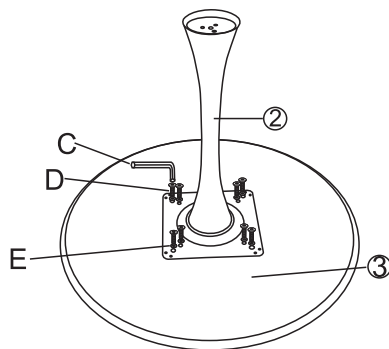
A.  M8 x 30mm x6 B.  ID8mm, OD18mm x6 C.  5mm x1 D.  M8 x 16mm x8  
 E.  ID8mm, OD16mm x8 F.  M12 x 80mm x1 G.  ID12mm, OD24mm x1 H.  Ø12mm x1

**ASSEMBLY INSTRUCTIONS/INSTRUCTIONS D'ASSEMBLAGE**

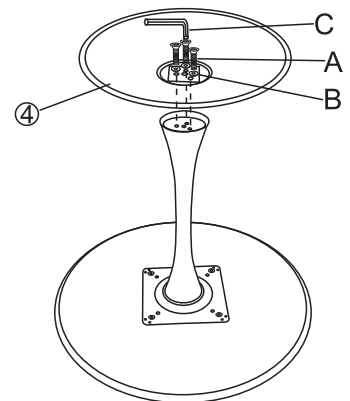
I.



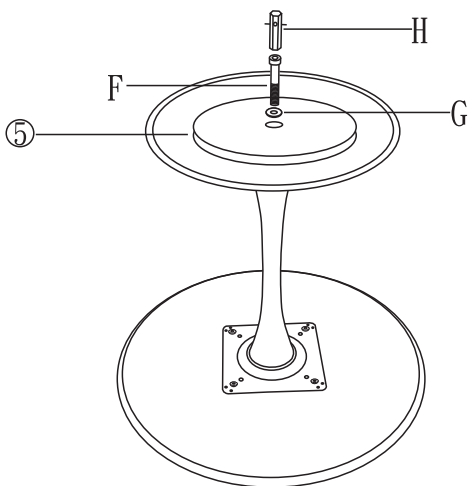
II.



III.



IV.



V.

