

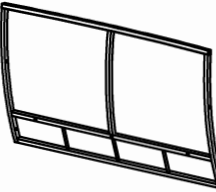
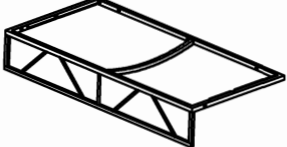



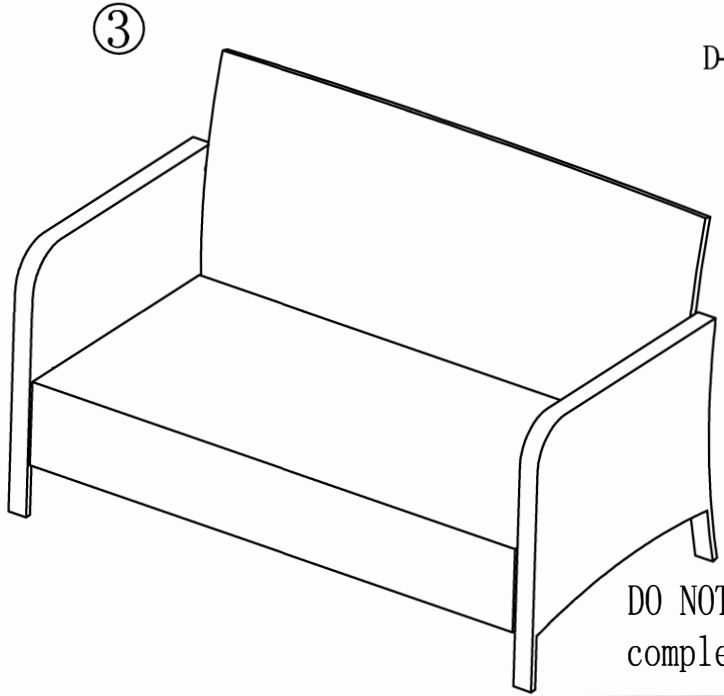
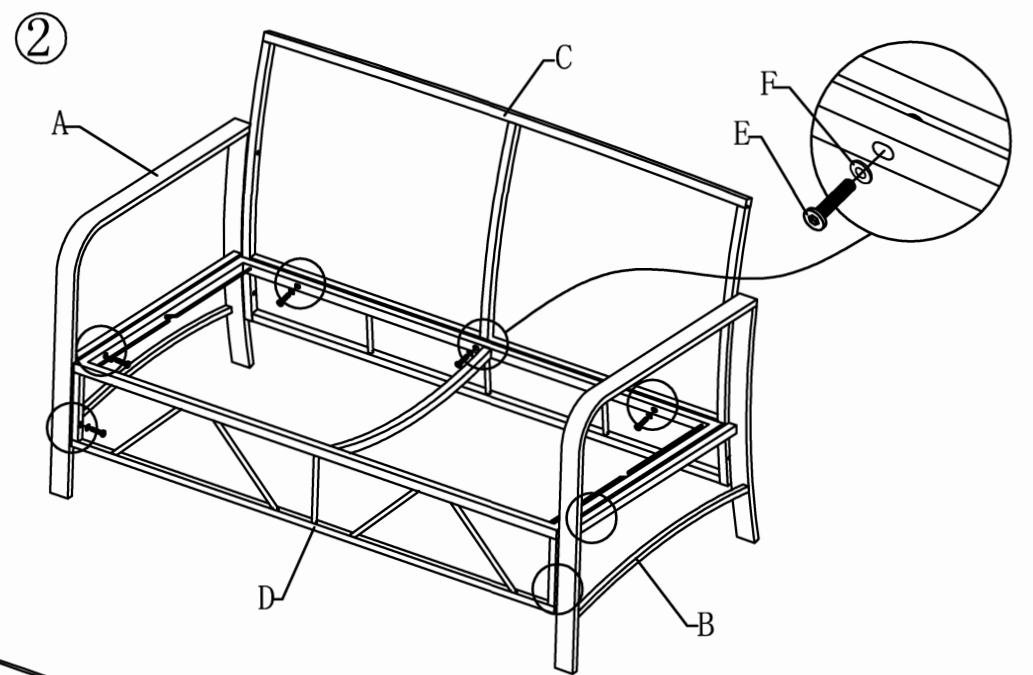
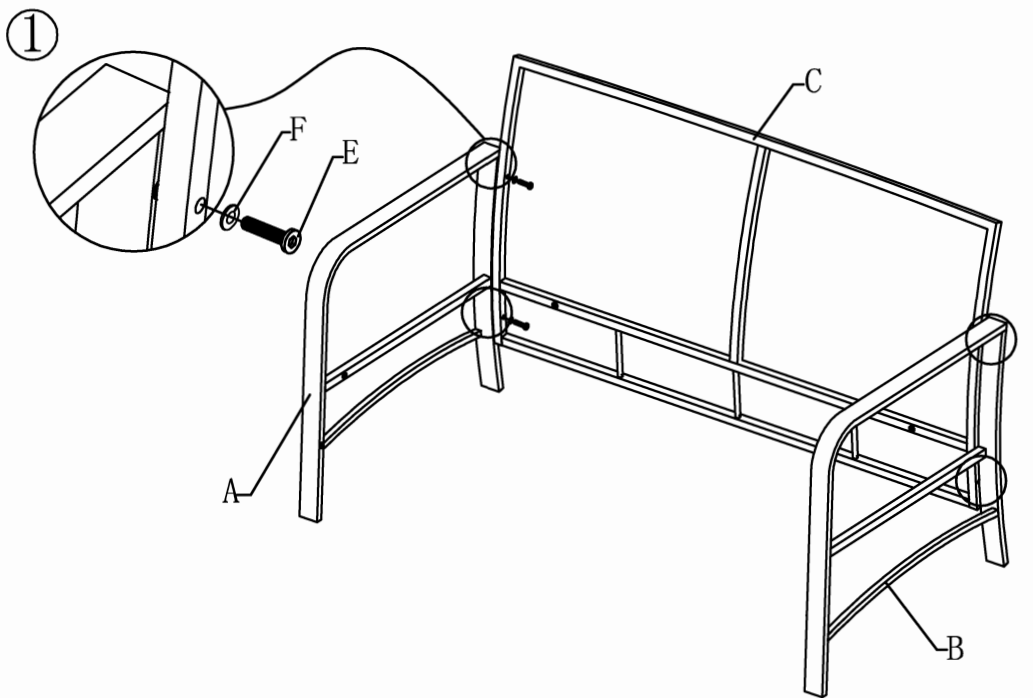


A		1PC	R
B		1PC	L
C		1PC	
D		1PC	
E	 M6*35	11PCS	
F		11PCS	
G		1PC	



DO NOT fully tighten all screws until assembly is completed