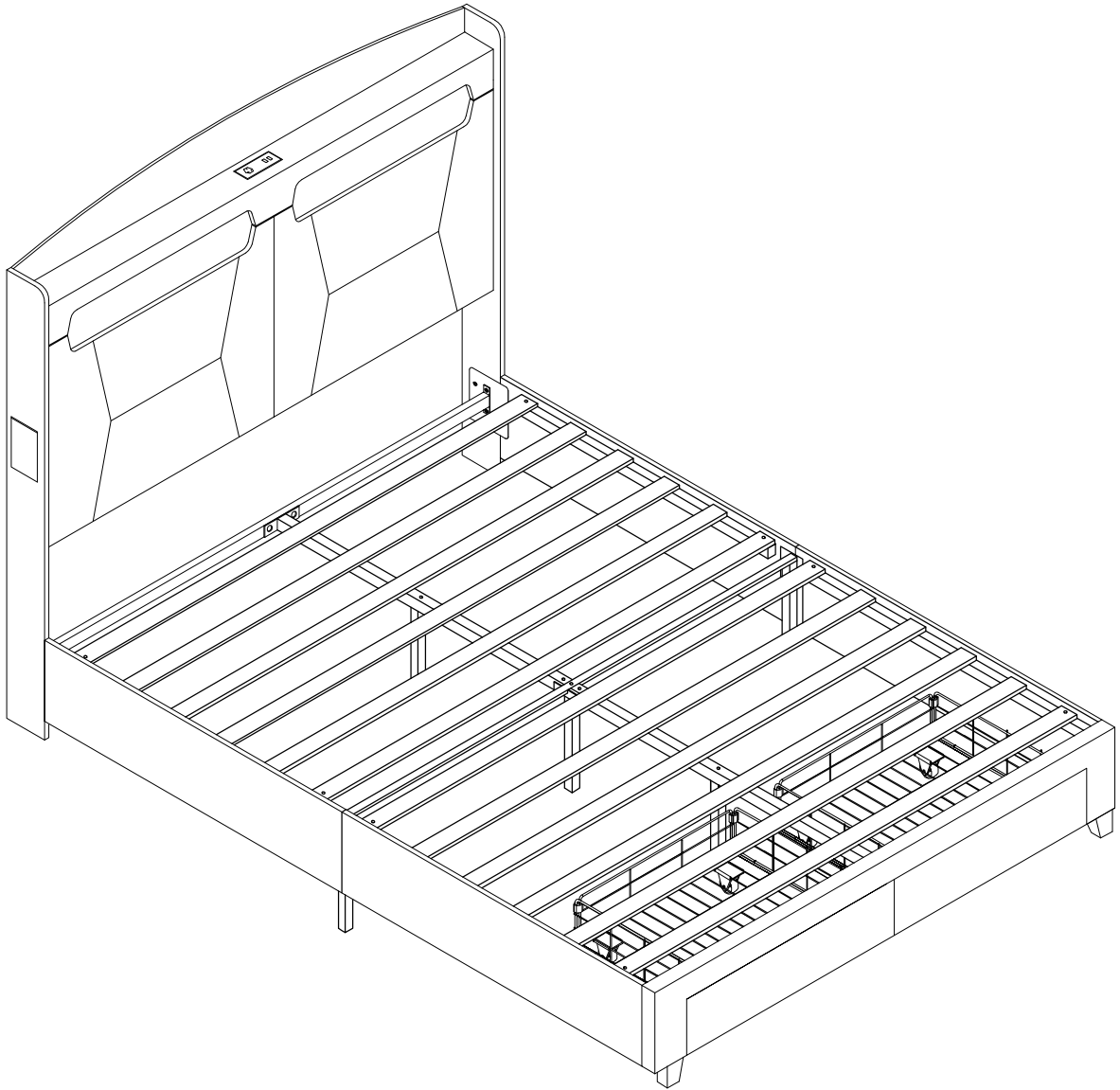


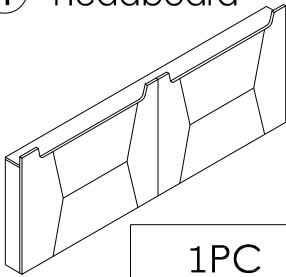
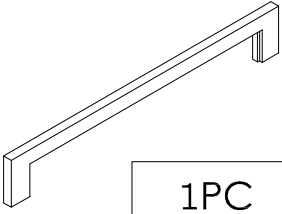
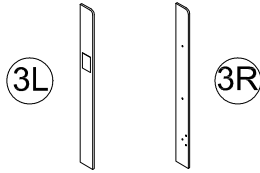
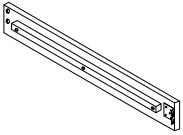
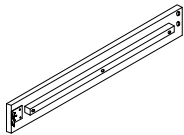
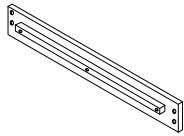
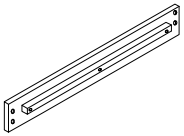
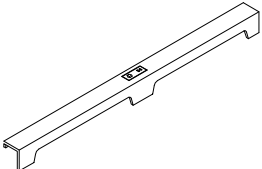
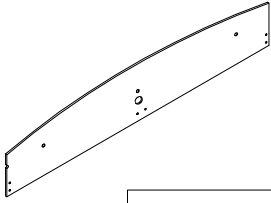
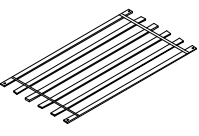
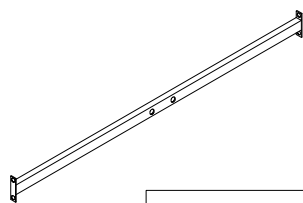

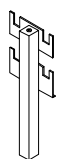
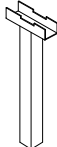

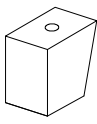
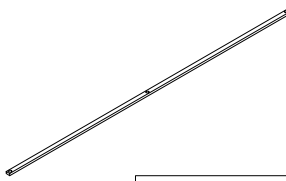
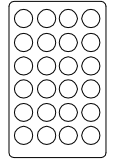
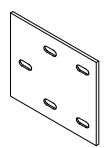
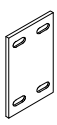

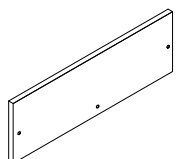
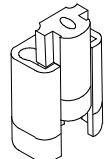
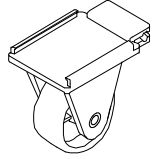
# ASSEMBLY INSTRUCTION

## 312





Upholstered Bed Frame  
FULL/QUEEN SIZE

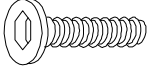
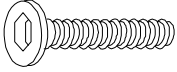
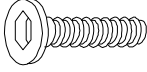



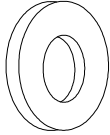
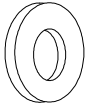
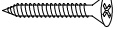


# PARTS LIST

<p>① Headboard</p>  <p style="text-align: center;">1PC</p>	<p>② Footboard</p>  <p style="text-align: center;">1PC</p>	<p>③ HB Leg</p>  <p style="text-align: center;">2PCS</p>	<p>④ Side Rail (R)</p>  <p style="text-align: center;">1PC</p>
<p>⑤ Side Rail (L)</p>  <p style="text-align: center;">1PC</p>	<p>⑥ Side Rail (R)</p>  <p style="text-align: center;">1PC</p>	<p>⑦ Side Rail (L)</p>  <p style="text-align: center;">1PC</p>	<p>⑧ HB Upper Deck</p>  <p style="text-align: center;">1PC</p>
<p>⑨ HB Back panel</p>  <p style="text-align: center;">1PC</p>	<p>⑩ Slat</p>  <p style="text-align: center;">2SET</p>	<p>⑪ HB Support Rail</p>  <p style="text-align: center;">1PC</p>	<p>⑫ Center support rail</p>  <p style="text-align: center;">2PCS</p>
<p>⑬ Side rail feet</p>  <p style="text-align: center;">2PCS</p>	<p>⑭ Center Support Leg</p>  <p style="text-align: center;">1PC</p>	<p>⑮ Support Leg</p>  <p style="text-align: center;">2PCS</p>	<p>⑯ Bed Leg</p>  <p style="text-align: center;">2PCS</p>
<p>⑰ Center cross bar</p>  <p style="text-align: center;">1PC</p>	<p>⑱ REMOTE CONTROL</p>  <p style="text-align: center;">1PC</p>	<p>⑲ Iron Plate</p>  <p style="text-align: center;">2PCS</p>	<p>⑳ Iron Plate</p>  <p style="text-align: center;">3PCS</p>
<p>㉑ FB Drawer</p>  <p style="text-align: center;">2PCS</p>	<p>㉒ FB Drawer panel</p>  <p style="text-align: center;">2PCS</p>	<p>㉓ Drawer connector</p>  <p style="text-align: center;">4PCS</p>	<p>㉔ Drawer wheel</p>  <p style="text-align: center;">8PCS</p>

## PARTS LIST

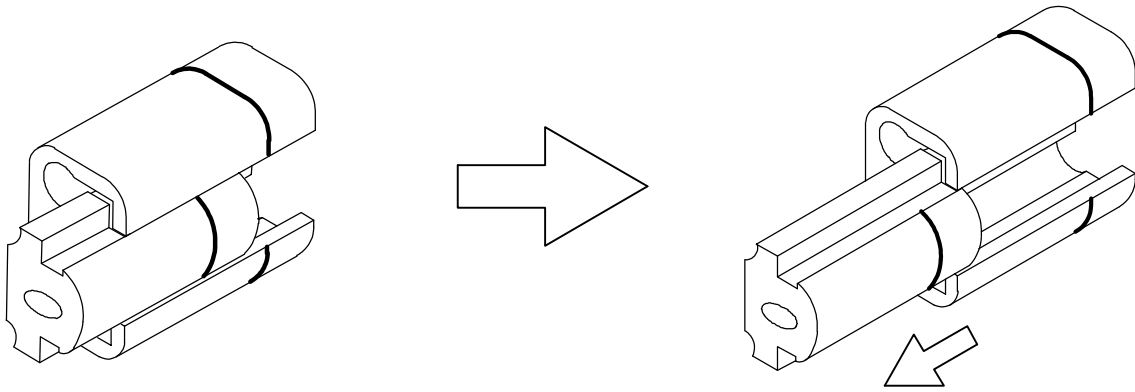
<p><b>25</b> LED light belt</p> 	<p><b>26</b> USB WIRE</p> 
<b>1PC</b>	<b>1PC</b>

## HARDWARE LIST

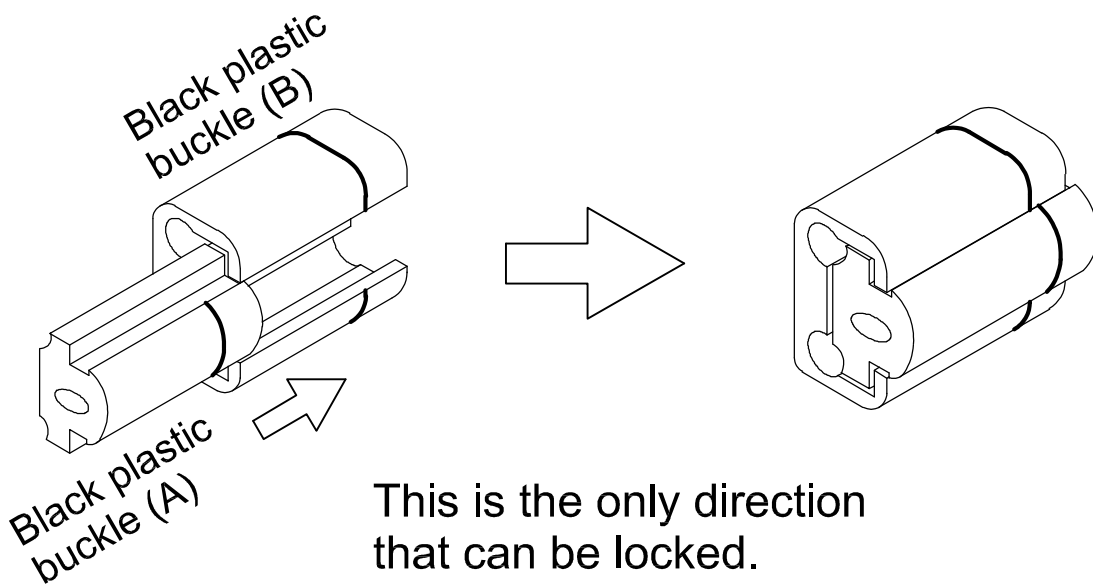
<p><b>A</b> Screw</p> 	<p><b>B</b> Screw</p> 	<p><b>C</b> Screw</p> 	<p><b>D</b> Screw</p> 
5/16"*35mm <b>11+1PCS</b>	5/16"*50mm <b>2PCS</b>	5/16"*25mm <b>18+2PCS</b>	1/4"*15mm <b>24+2PCS</b>
<p><b>E</b> Screw</p> 	<p><b>F</b> Lock Washer</p> 	<p><b>G</b> Flat Washer</p> 	<p><b>H</b> Flat Washer</p> 
1/4"*30mm <b>3PCS</b>	5/16"*13mm <b>31+2PCS</b>	5/16"*19mm <b>31+2PCS</b>	1/4"*16mm <b>29+2PCS</b>
<p><b>I</b> Screw</p> 	<p><b>J</b> Inner allen wrench</p> 	<p><b>K</b> Inner allen wrench</p> 	
M4*25mm <b>10+1PCS</b>	M5*100mm <b>1PC</b>	M4*100mm <b>1PC</b>	

## Assembly Steps

STEP 1:

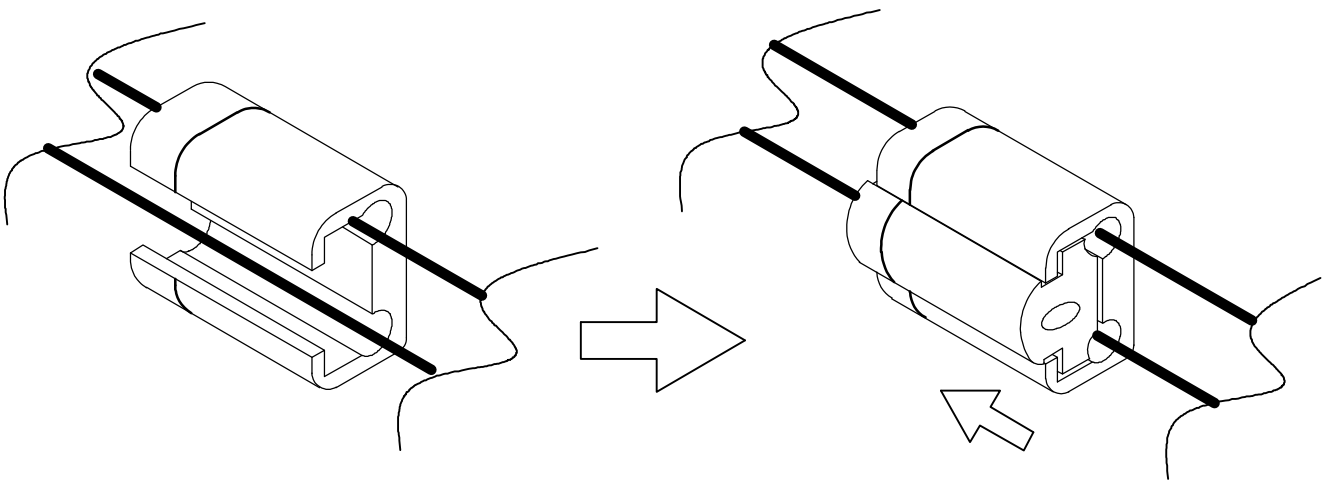


You can pull the buckle out by following the direction indicated by the arrow



This is the only direction that can be locked.

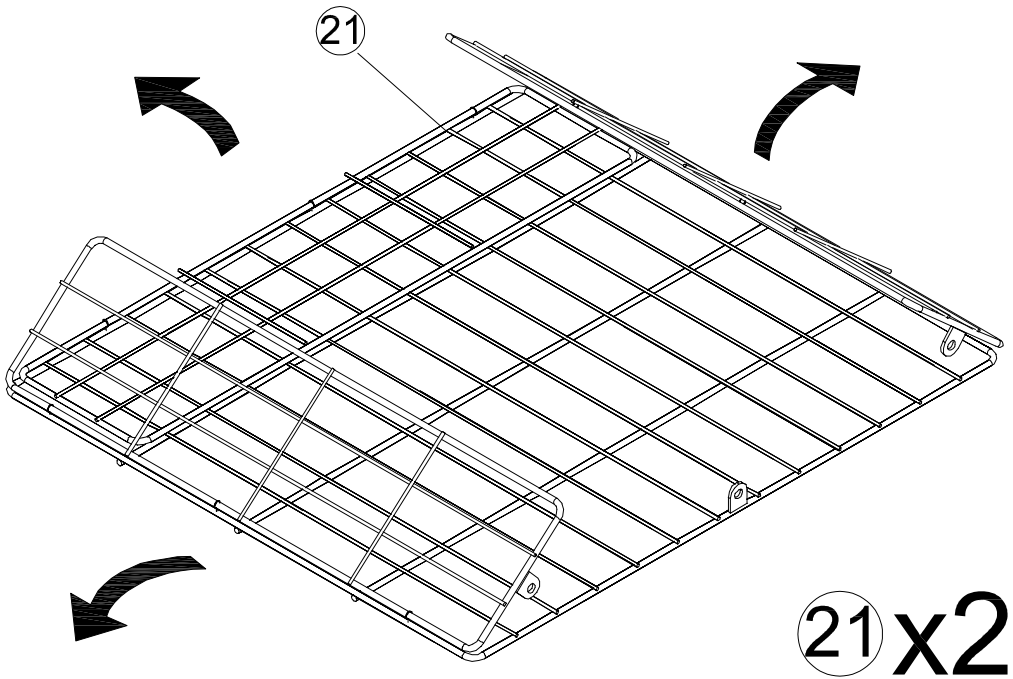
STEP 2:



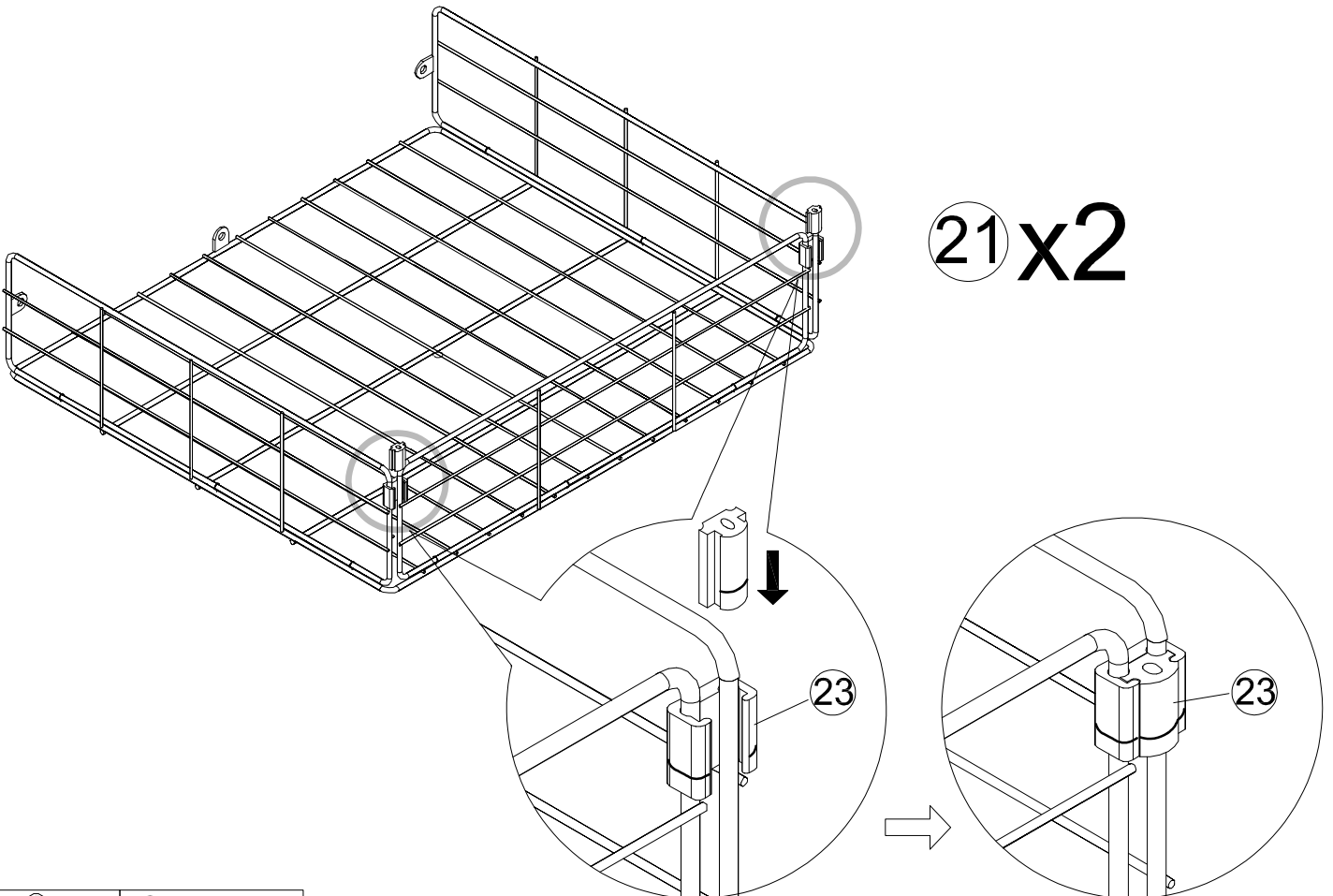
Place round iron tube as shown for better drawer assembly

# Assembly Steps

STEP 3:



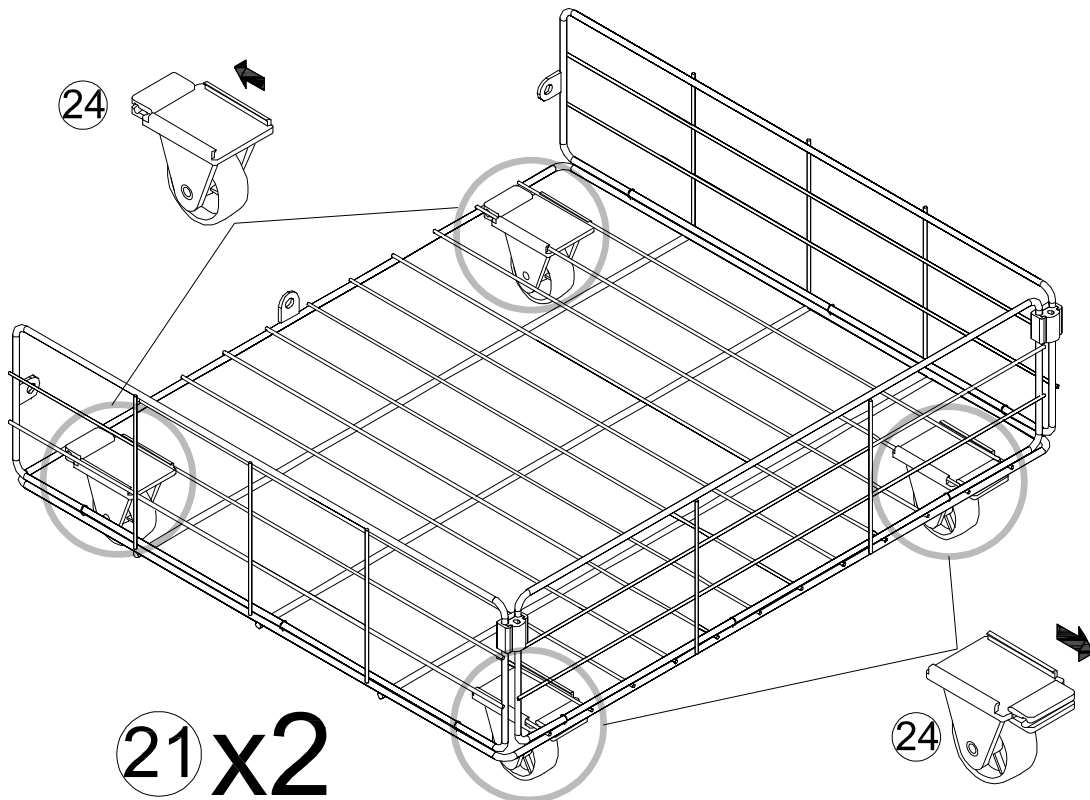
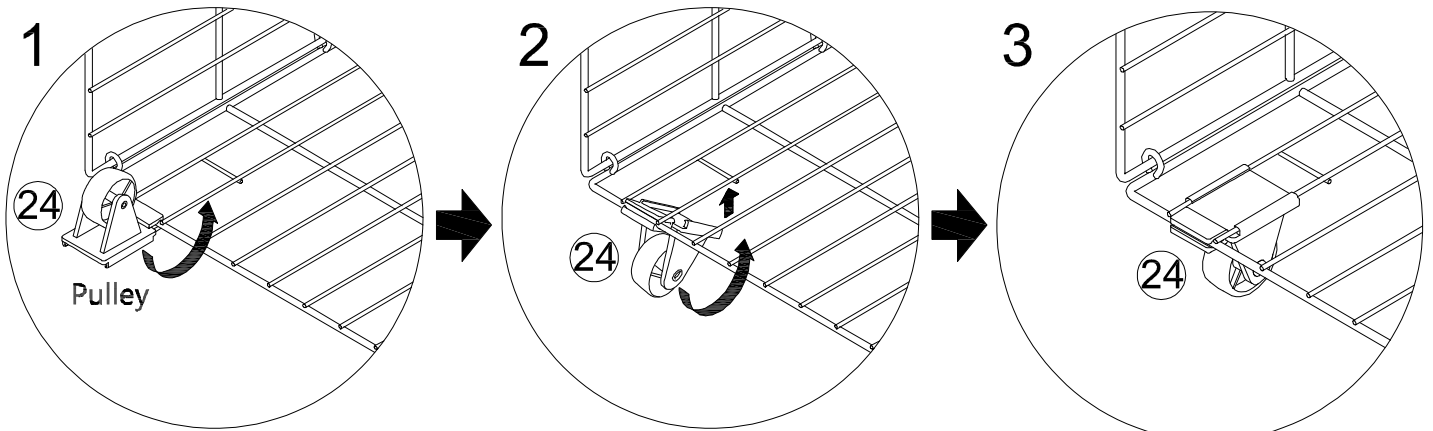
STEP 4:



**23 x 4PCS**

## Assembly Steps

### STEP 5:



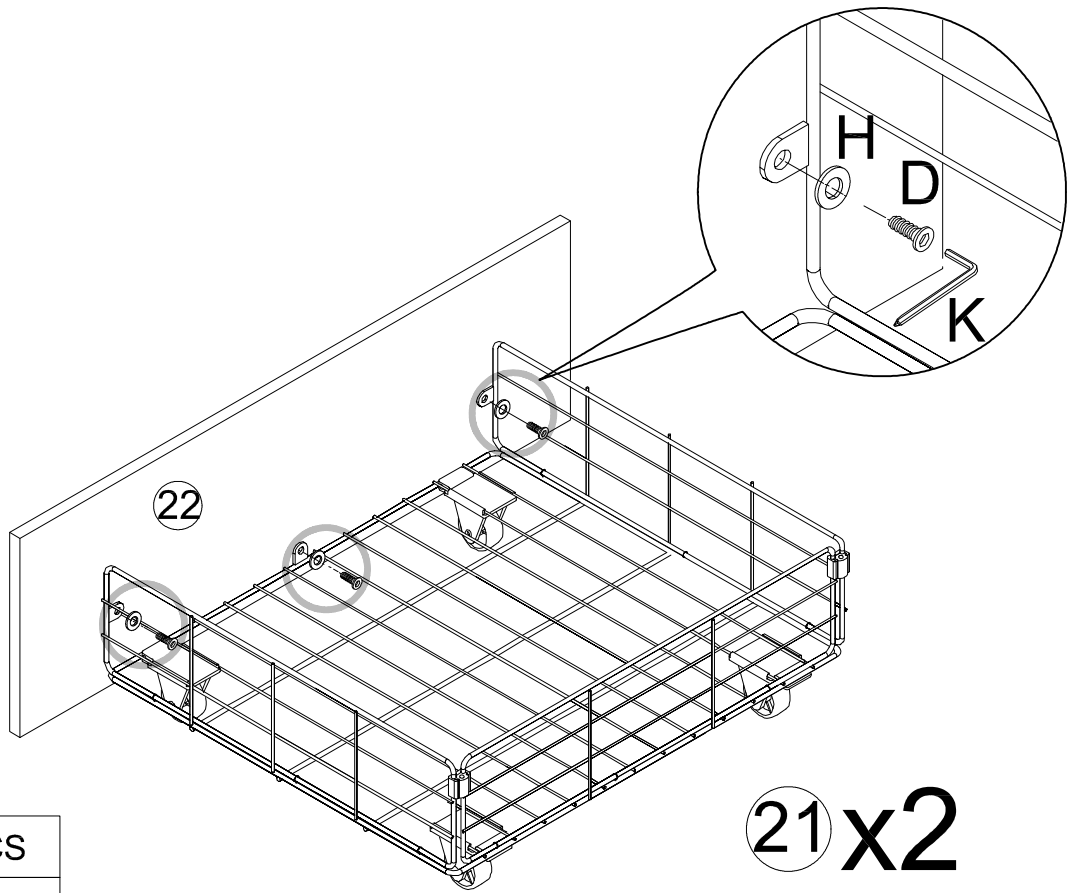
Place the round iron tubes as shown for better assembly of the drawers.






24 x 8PCS

# Assembly Steps

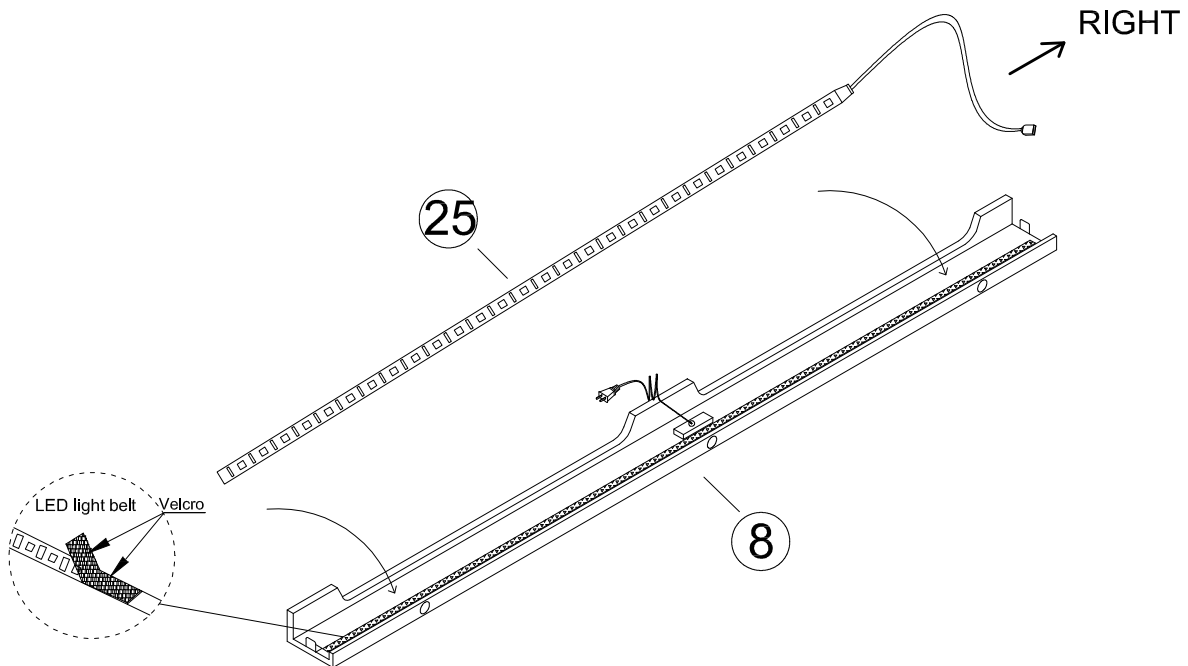
STEP 6:



	D x 6PCS
	H x 6PCS
	K x 1PC

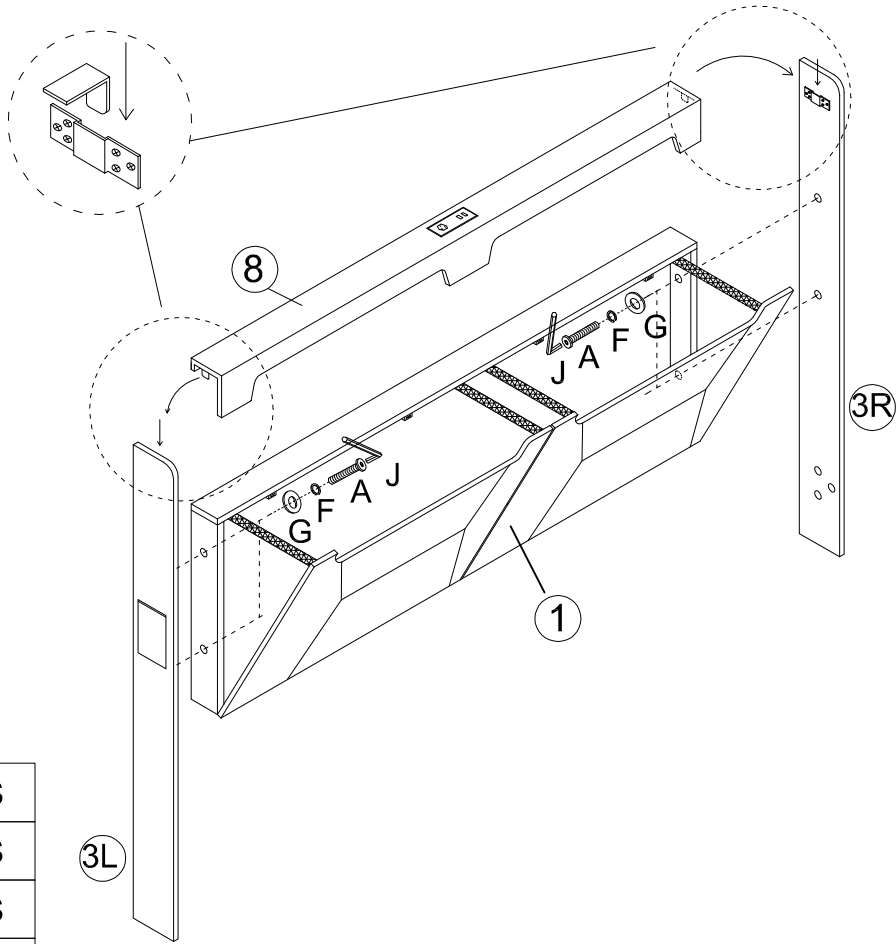
21 x 2





STEP 7:



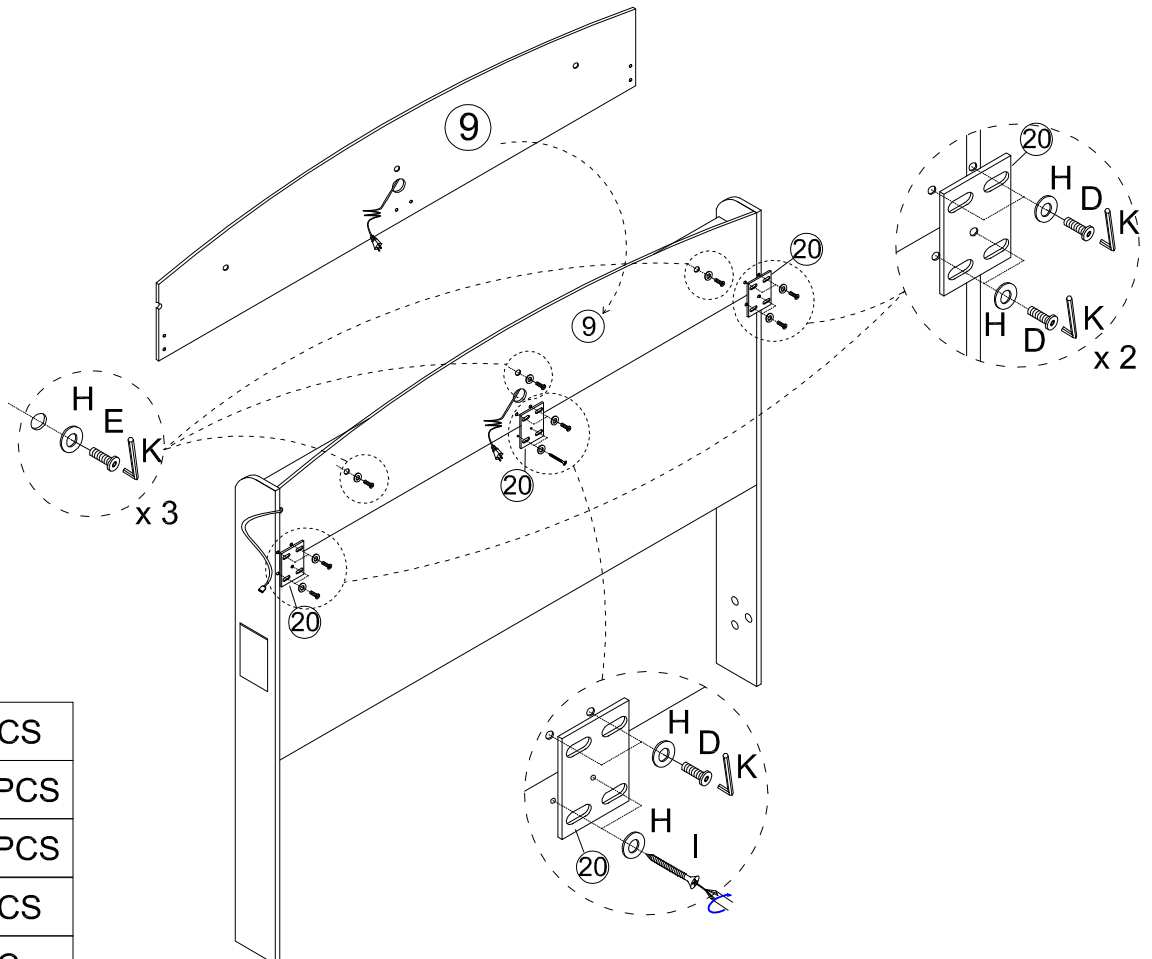
# Assembly Steps




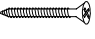

STEP 8:



	A x 4PCS
	G x 4PCS
	F x 4PCS
	J x 1PC

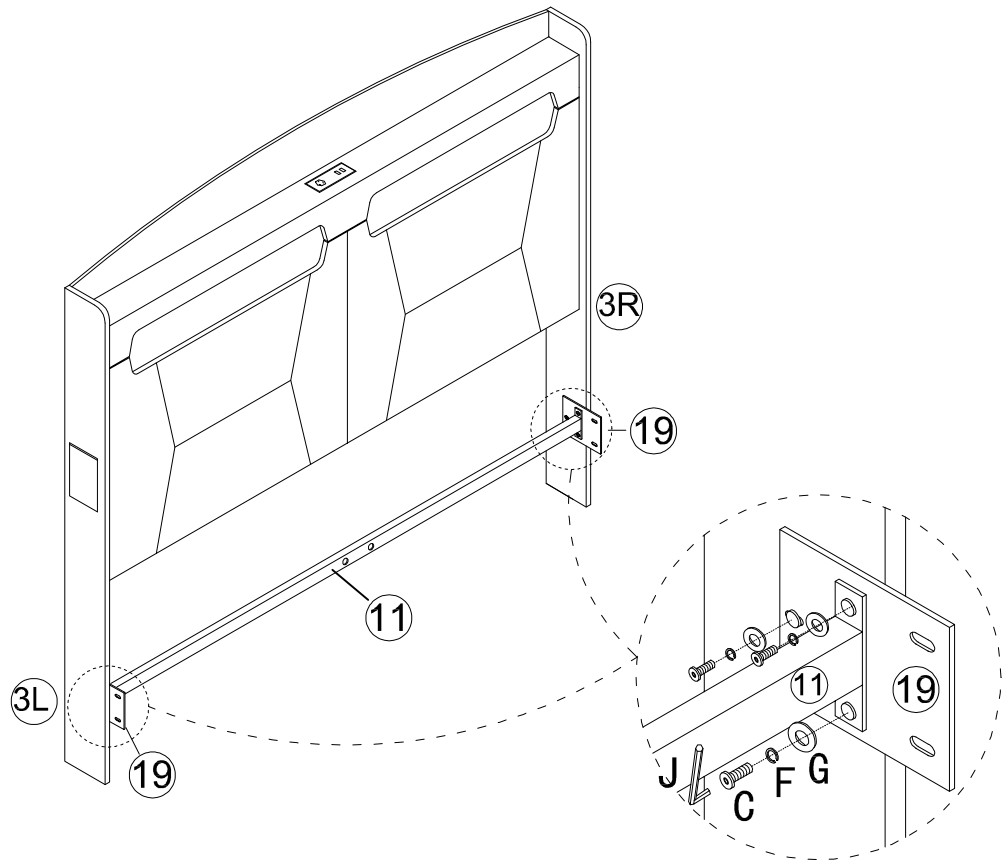
STEP 9:







	E x 3PCS
	D x 10PCS
	H x 15PCS
	I x 2PCS
	K x 1PC

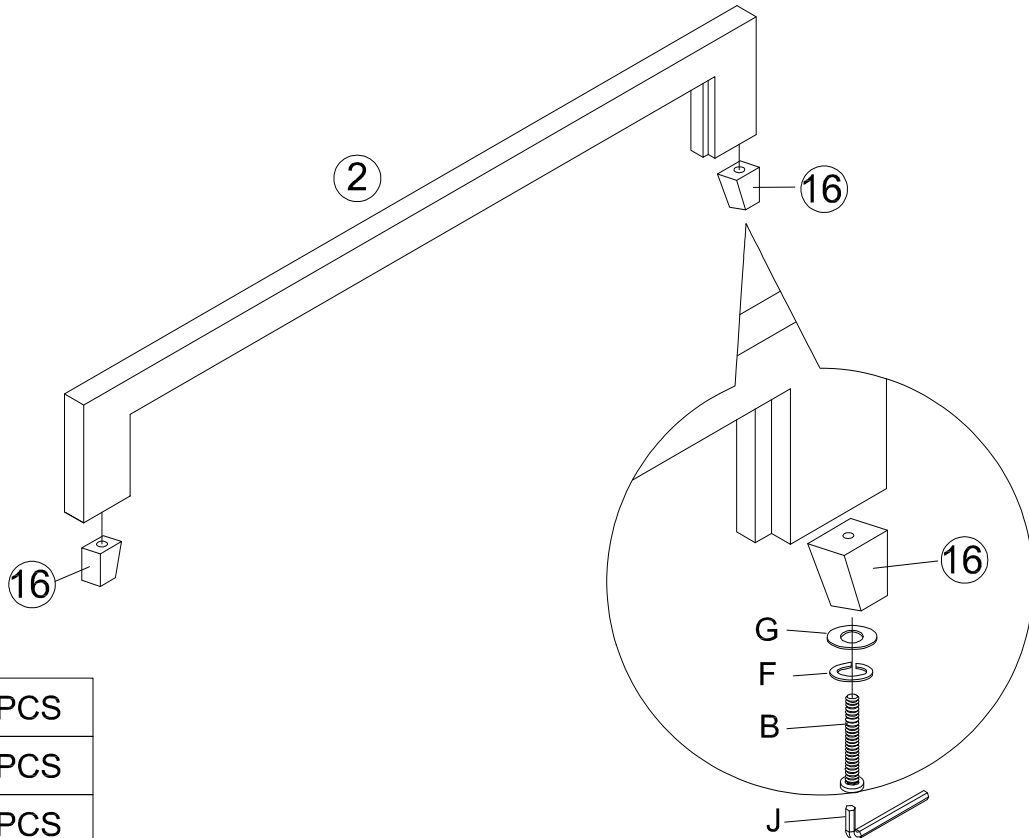
# Assembly Steps





STEP 10:



	C x 6PCS
	G x 6PCS
	F x 6PCS
	J x 1PC

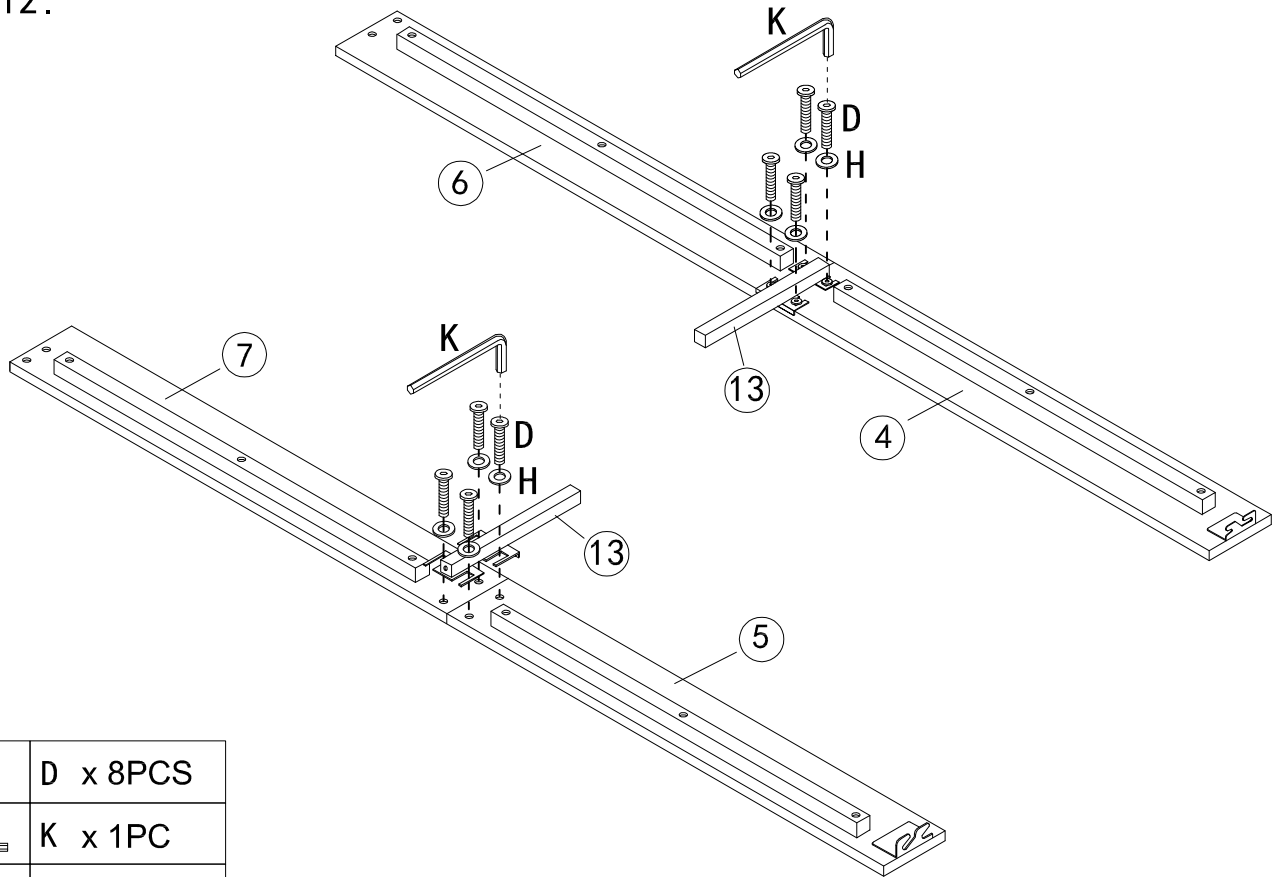
STEP 11:






	B x 2PCS
	G x 2PCS
	F x 2PCS
	J x 1PC

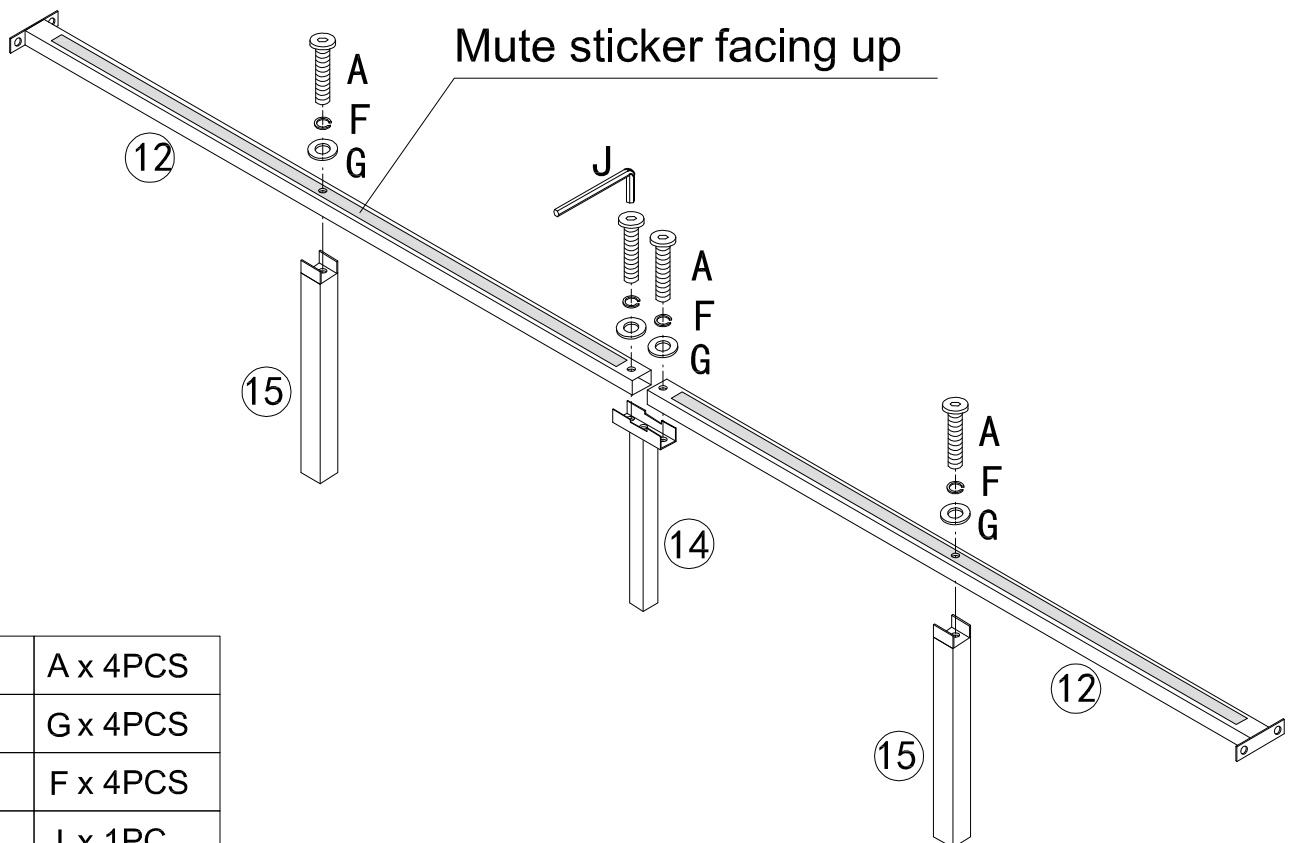
# Assembly Steps





## STEP 12:



	D x 8PCS
	K x 1PC
	H x 8PCS

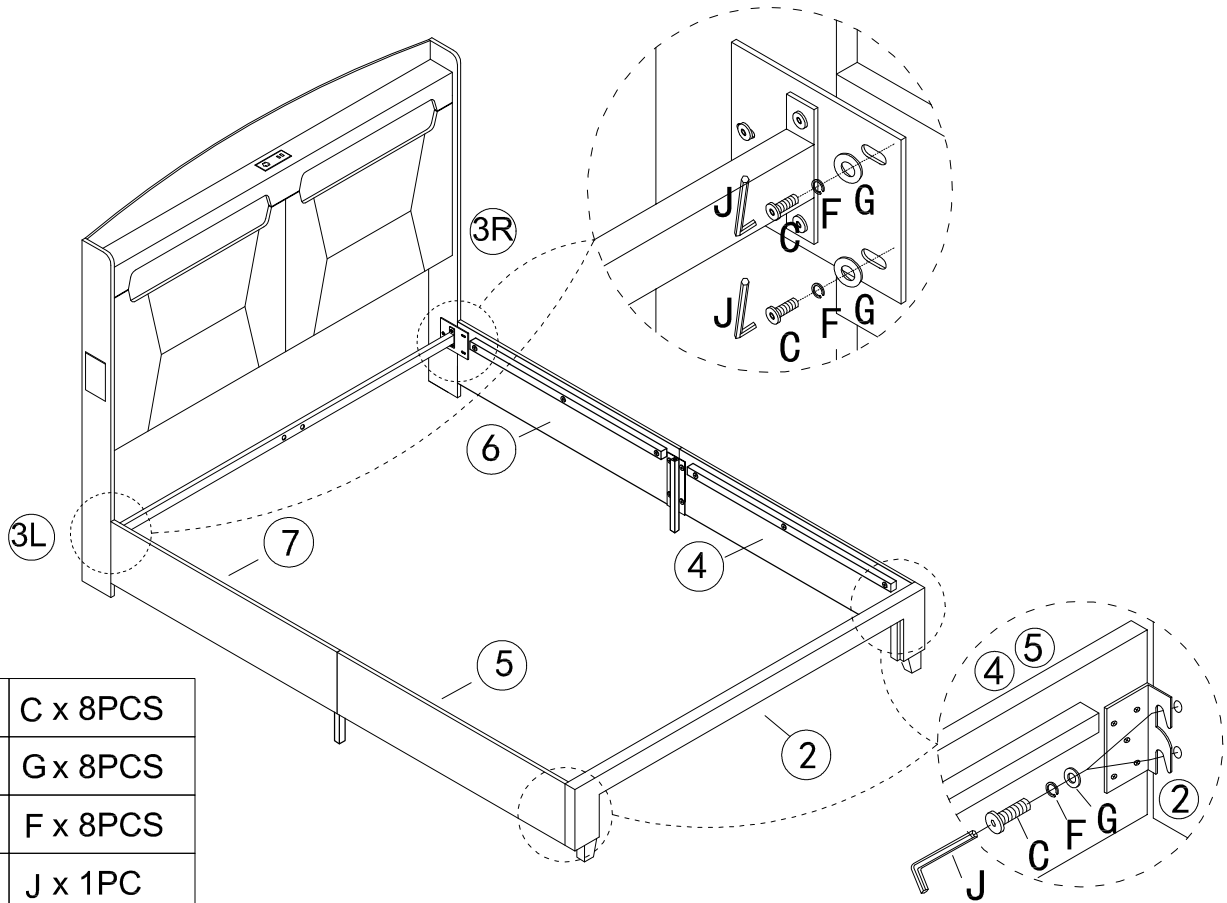
## STEP 13:







	A x 4PCS
	G x 4PCS
	F x 4PCS
	J x 1PC

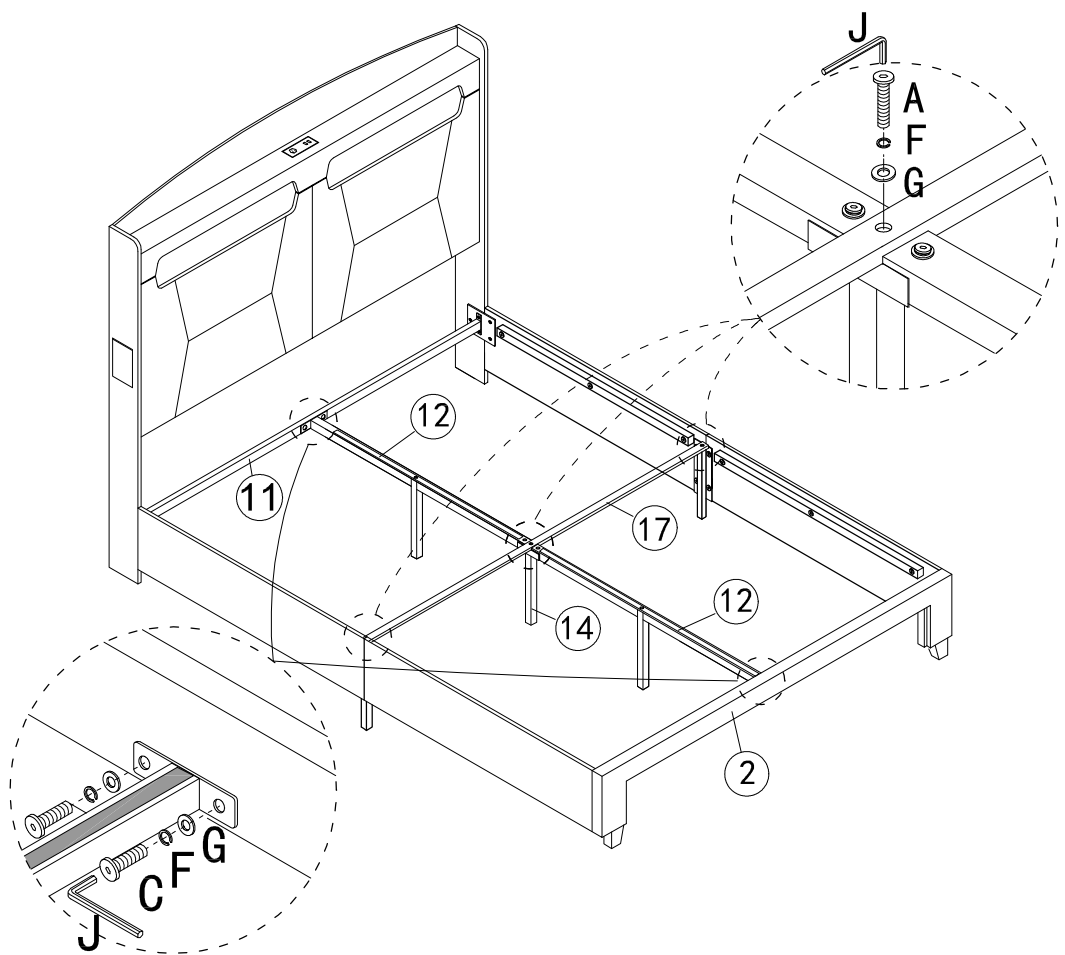
# Assembly Steps






## STEP 14:



	C x 8PCS
	G x 8PCS
	F x 8PCS
	J x 1PC

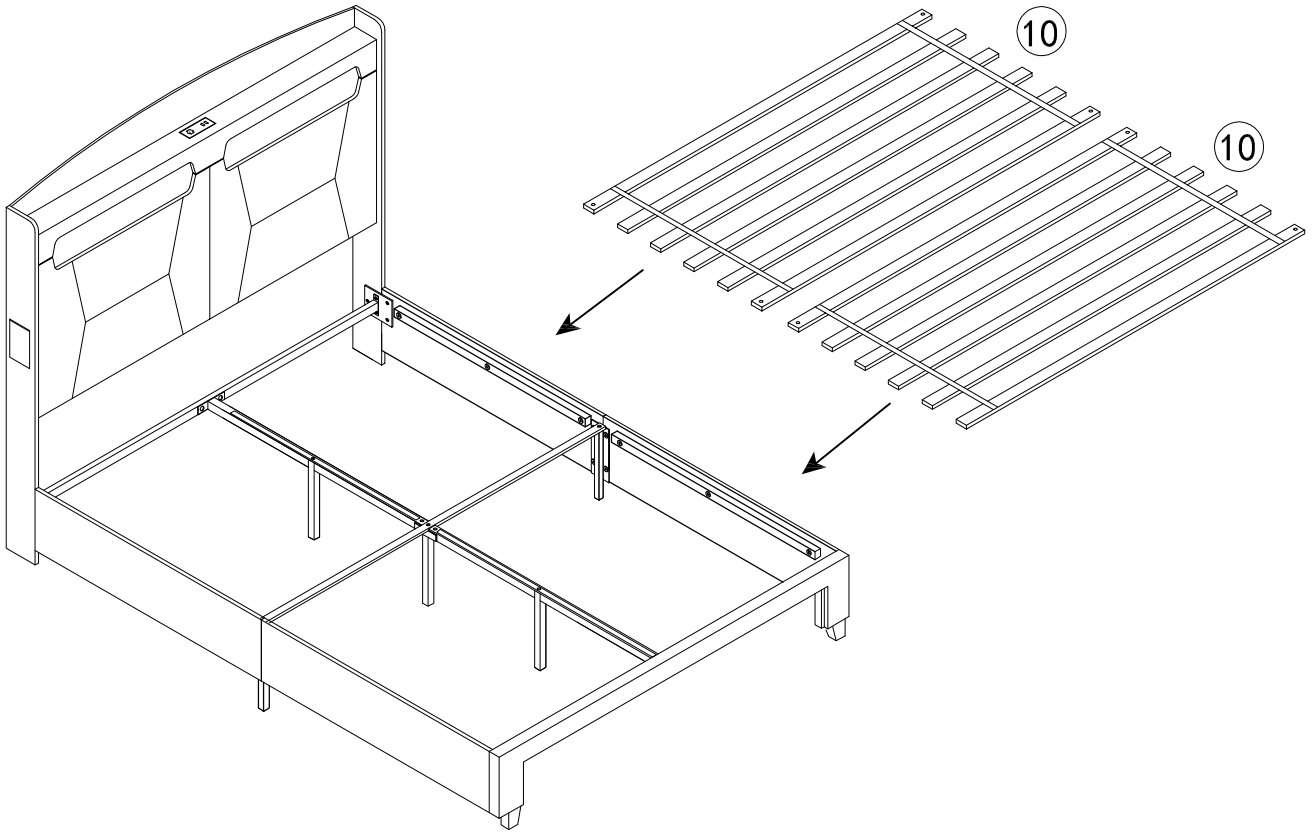
## STEP 15:



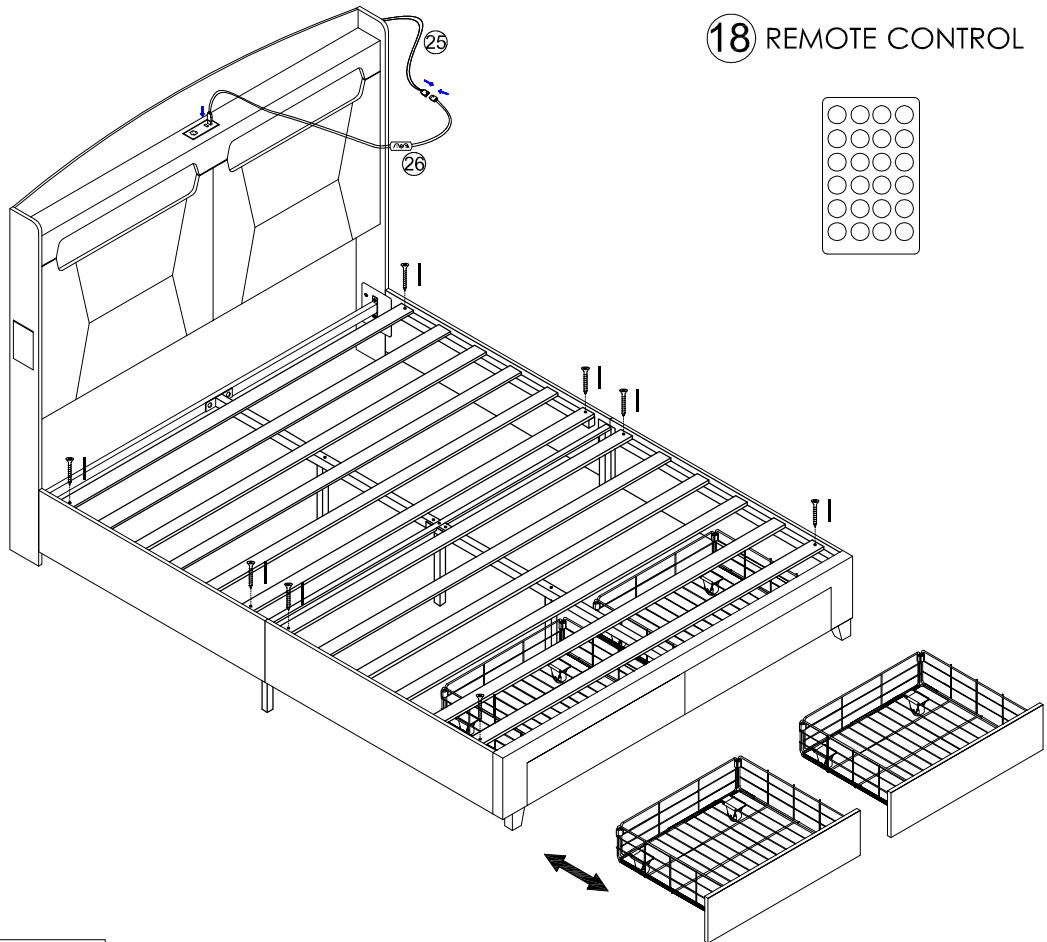
	C x 4PCS
	A x 3PCS
	G x 7PCS
	F x 7PCS
	J x 1PC

# Assembly Steps

STEP 16:



STEP 17:



 1 x 8PCS