

ASSEMBLY INSTRUCTIONS

210-915

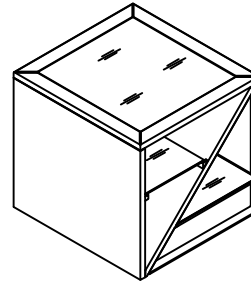


Figure 1

BEFORE YOU START:

1. Check the hardwares against the hardware list to make sure all items are present.
2. Assemble your furniture on a soft, flat surface to avoid scratching the finish.
3. **CAUTION:** Do not over tighten screws, nuts or bolts during assembly.
4. Your furniture may require occasional tightening.

INSTRUCTIONS:

1. Turn the table upside down on a clear soft surface, stick the felt pads on the bottom as shown in Figure 1.

2. Place Plastic Pads (A) onto top frame as Figure 2, install glass top to the top frame carefully.

3. Place Plastic Pads (A) onto middle stretchers as Figure 3, install glass shelf to the middle stretchers carefully.

4. Place Plastic Pads (A) onto bottom metal frame as Figure 4, install glass shelf to the metal frame carefully.

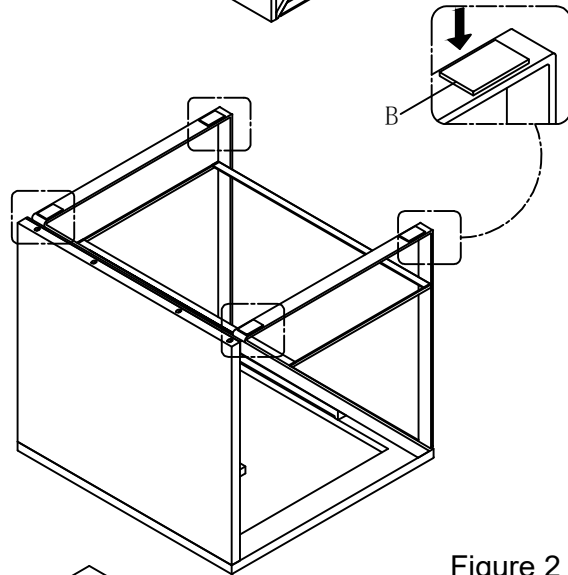


Figure 2

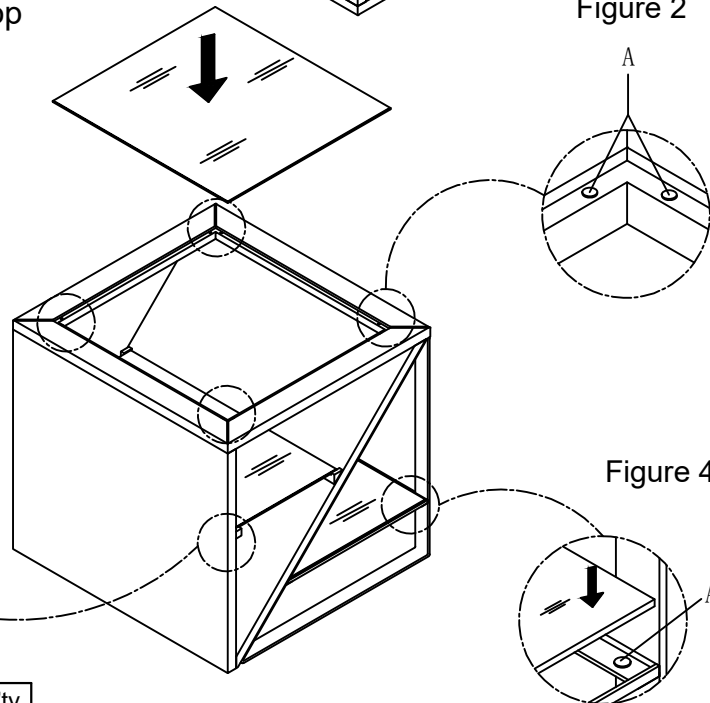


Figure 3

Figure 4

No.	HARDWARE LIST		Q'ty
A		Plastic Pad (Ø10*1mm)	16
B		Felt Pad (50*30*3mm)	4

