

# ASSEMBLY INSTRUCTIONS



*Fine Furniture for every stage of life*

## Queen Storage Bed

# ITEM: (B1&B2)

## ASSEMBLY INSTRUCTIONS

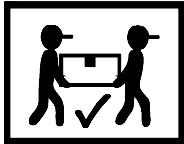
### ASSEMBLY TIPS:

1. Remove hardware from box and sort by size.
2. Please check to see that all hardware and parts are present prior to start of assembly.
3. Please follow attached instructions in the same sequence as numbered to assure fast & easy assembly.



### WARNING!

1. Don't attempt to repair or modify parts that are broken or defective. Please contact the store immediately.
2. This product is for home use only and not intended for commercial establishments.

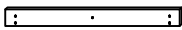




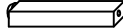

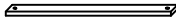
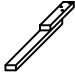

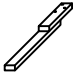
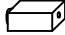




ASSEMBLY TIME

30 MINUTES

## PARTS IDENTIFICATION

### B1 (BOX 1)

|   |  |   |       |   |                                   |   |        |
|---|--|---|-------|---|-----------------------------------|---|--------|
| A | HEADBOARD PANEL                          |    | 4 PCS | H | BED RAIL(L&R)                     |    | 2 PCS  |
| B | LEFT HEADBOARD SUPPORT (WITH "L" LABEL)  |  | 1 PC  | I | ROLL SLAT (6 PCS)                 |  | 2 SETS |
| C | RIGHT HEADBOARD SUPPORT (WITH "R" LABEL) |  | 1 PC  | J | BED SLAT SUPPORT WITH LEVELER     |  | 4 PCS  |
| D | CENTRE HEADBOARD SUPPORT                 |  | 1 PC  | K | ROLL SLAT SUPPORT RAIL            |  | 2 PCS  |
| E | LEFT HEADBOARD LEG (WITH "L" LABEL)      |  | 1 PC  | L | DRAWER FRAME                      |  | 1 PC   |
| F | RIGHT HEADBOARD LEG (WITH "R" LABEL)     |  | 1 PC  | M | DRAWER FRAME SUPPORT WITH LEVELER |  | 3 PCS  |
| G | FOOTBOARD                                |  | 1 PC  | O | CONCEAL PANEL                     |  | 1 PC   |

### B2 (BOX 2)

|   |        |   |       |
|---|--------|---|-------|
| N | DRAWER |  | 2 PCS |
|---|--------|---|-------|

# ITEM: (B1&B2)

## ASSEMBLY INSTRUCTIONS

### ASSEMBLY TIPS:

1. Remove hardware from box and sort by size.
2. Please check to see that all hardware and parts are present prior to start of assembly.
3. Please follow attached instructions in the same sequence as numbered to assure fast & easy assembly.



### WARNING!

1. Don't attempt to repair or modify parts that are broken or defective. Please contact the store immediately.
2. This product is for home use only and not intended for commercial establishments.

## HARDWARE IDENTIFICATION

### Z-B1 (BOX 1) - HARDWARE PACK IS LOCATED IN (B1)

|   |   |  |        |    |   |  |        |
|---|---|--|--------|----|---|--|--------|
| 1 | <b>BOLT 1</b><br>(M8 x 20MM - RBW)        |  | 8 PCS  | 8  | <b>PAN HEAD SCREW</b><br>(M4 x 16MM-BLK)          |  | 4 PCS  |
| 2 | <b>BOLT 2</b><br>(M8 x 35MM - RBW)        |  | 22 PCS | 9  | <b>SHORT FLAT HEAD SCREW</b><br>(M4 x 16MM - BLK) |  | 4 PCS  |
| 3 | <b>BOLT 3</b><br>(M6 x 25MM - RBW)        |  | 4 PCS  | 10 | <b>LONG FLAT HEAD SCREW</b><br>(M4 x 32MM - RBW)  |  | 26 PCS |
| 4 | <b>BOLT 4</b><br>(M6 x 40MM - RBW)        |  | 6 PCS  | 11 | <b>WOOD DOWEL</b><br>(M8ø x 30MM)                 |  | 3 PCS  |
| 5 | <b>BOLT 5</b><br>(M6 x 50MM - RBW)        |  | 4 PCS  | 12 | <b>METAL BRACKET</b><br>(1 x 18 x 20mm - BLK)     |  | 2 PCS  |
| 6 | <b>LOCK WASHER</b><br>(5/16" x 14ø - RBW) |  | 22 PCS | 13 | <b>SMALL ALLEN WRENCH</b><br>(M4 x 65mm - BLK)    |  | 1 PC   |
| 7 | <b>FLAT WASHER</b><br>(5/16" x 22ø - RBW) |  | 22 PCS | 14 | <b>BIG ALLEN WRENCH</b><br>(M5 x 65mm - BLK)      |  | 1 PC   |

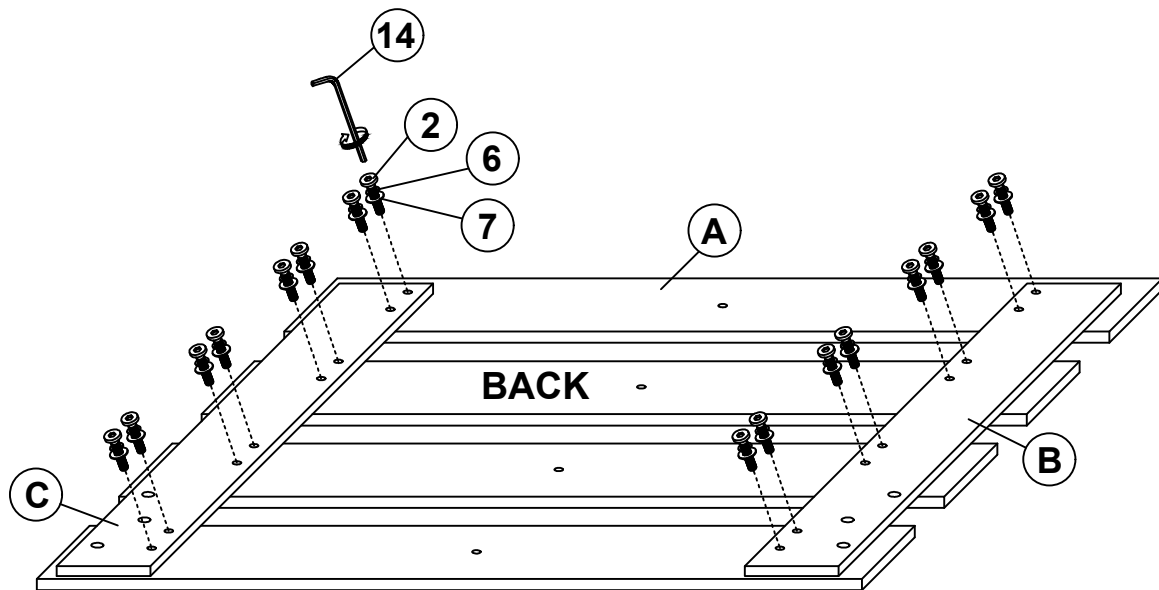
### NOTE:

Phillips head screw driver is required in the assembly process; however, manufacturer does not provided this item.

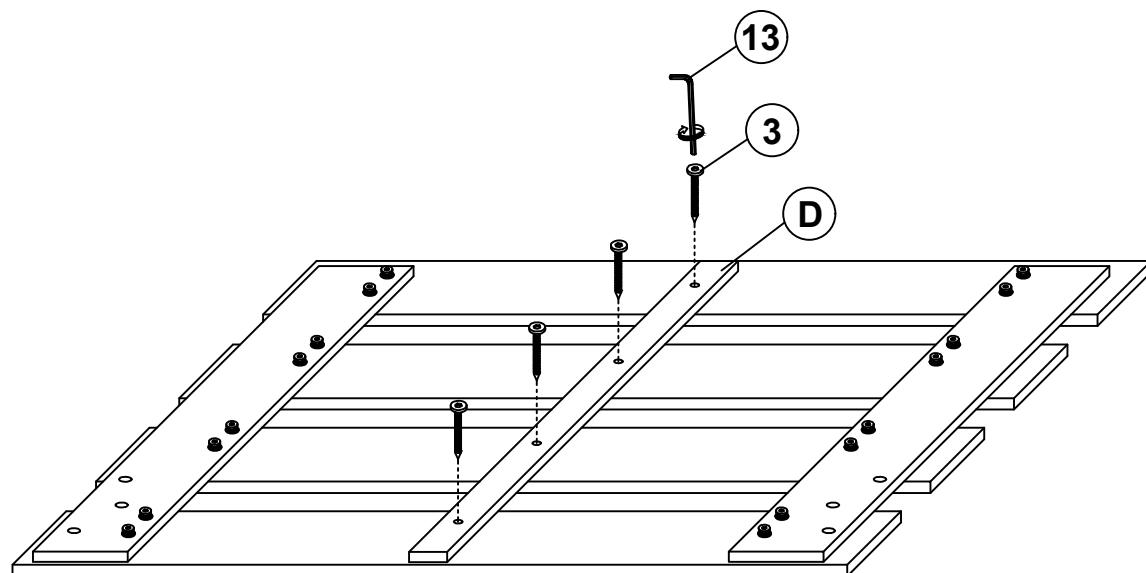
# ITEM: (B1&B2)

## ASSEMBLY INSTRUCTIONS

### STEP 1



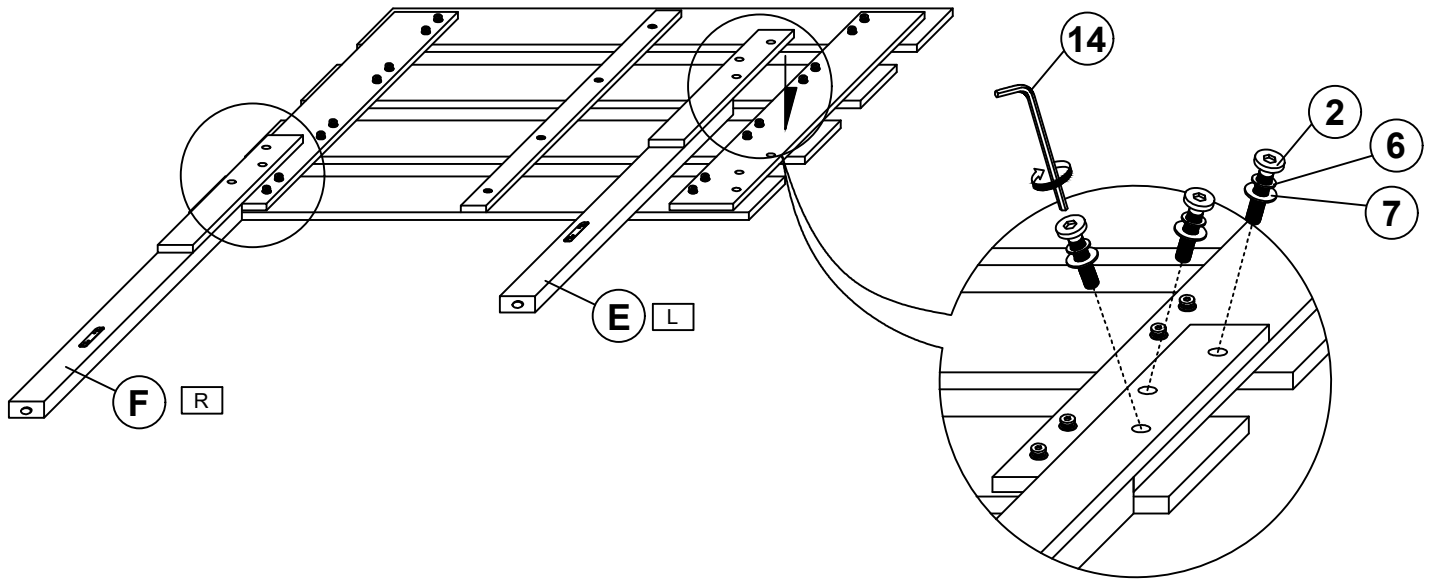
### STEP 2



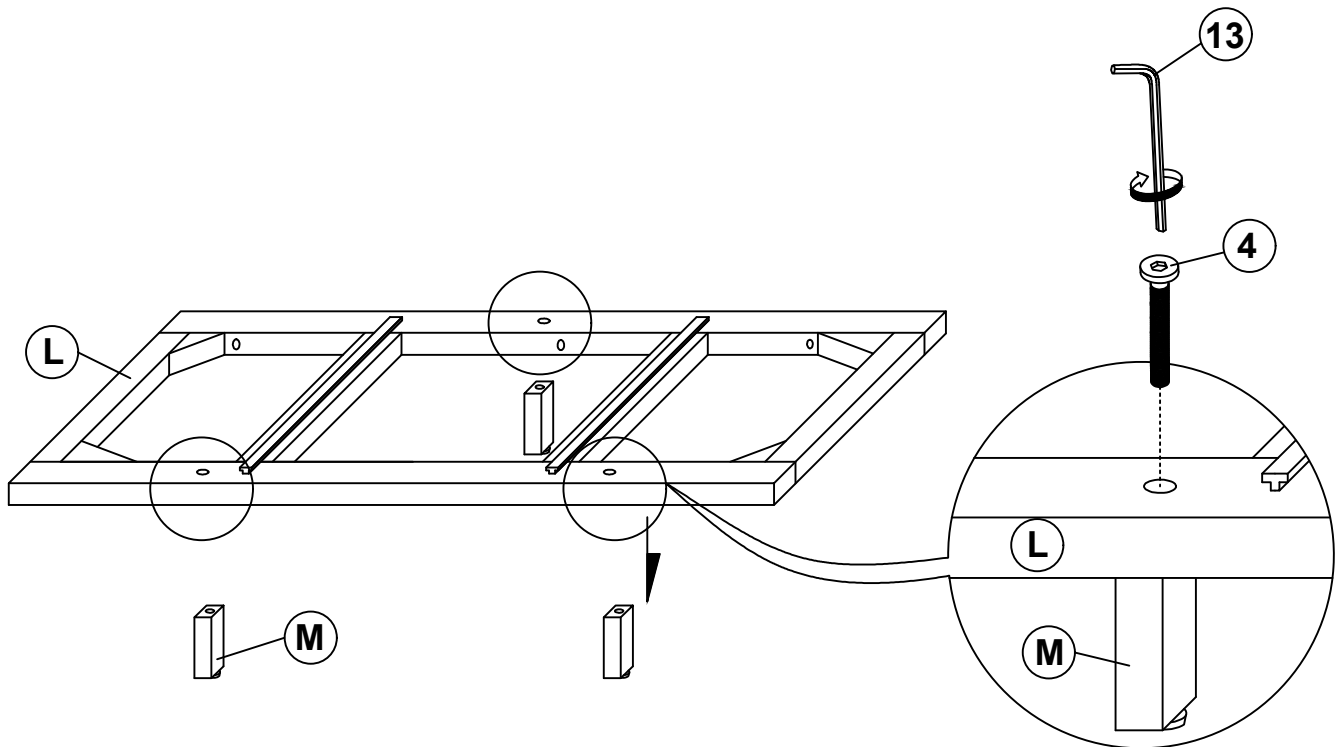
# ITEM: (B1&B2)

## ASSEMBLY INSTRUCTIONS

### STEP 3



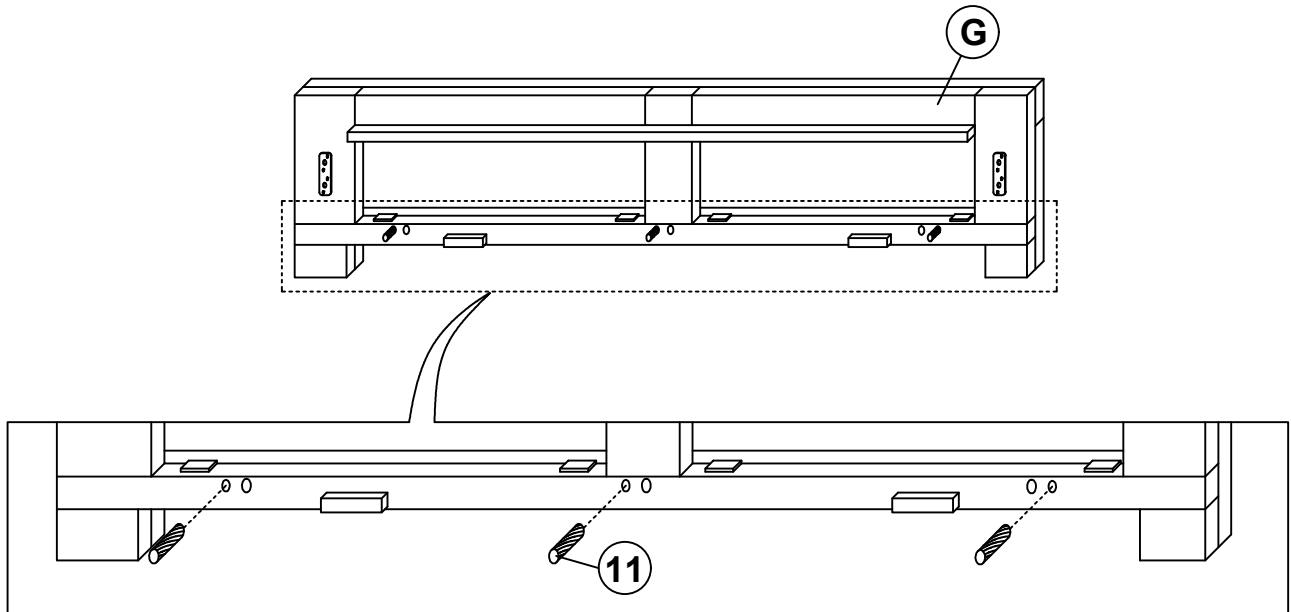
### STEP 4



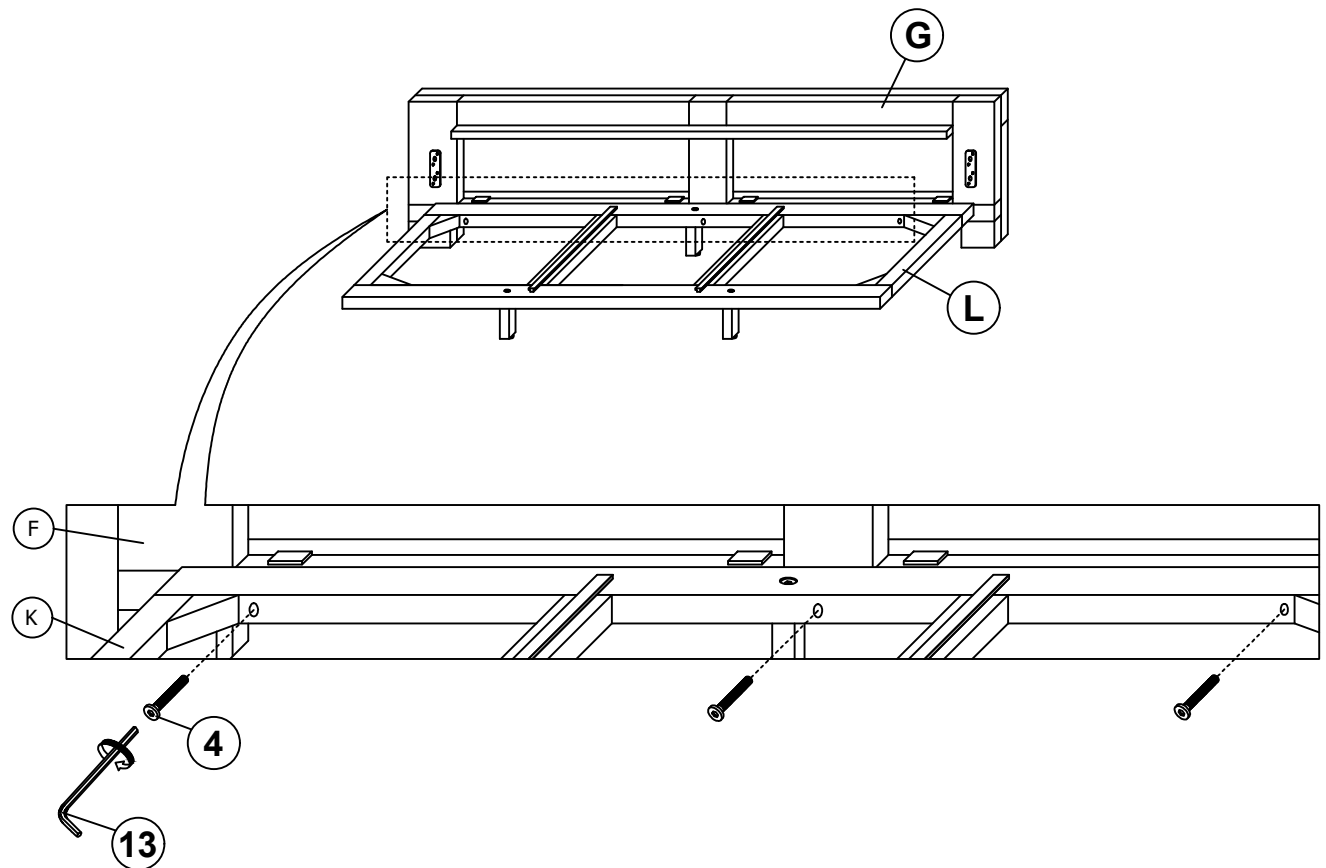
# ITEM: (B1&B2)

## ASSEMBLY INSTRUCTIONS

### STEP 5



### STEP 6

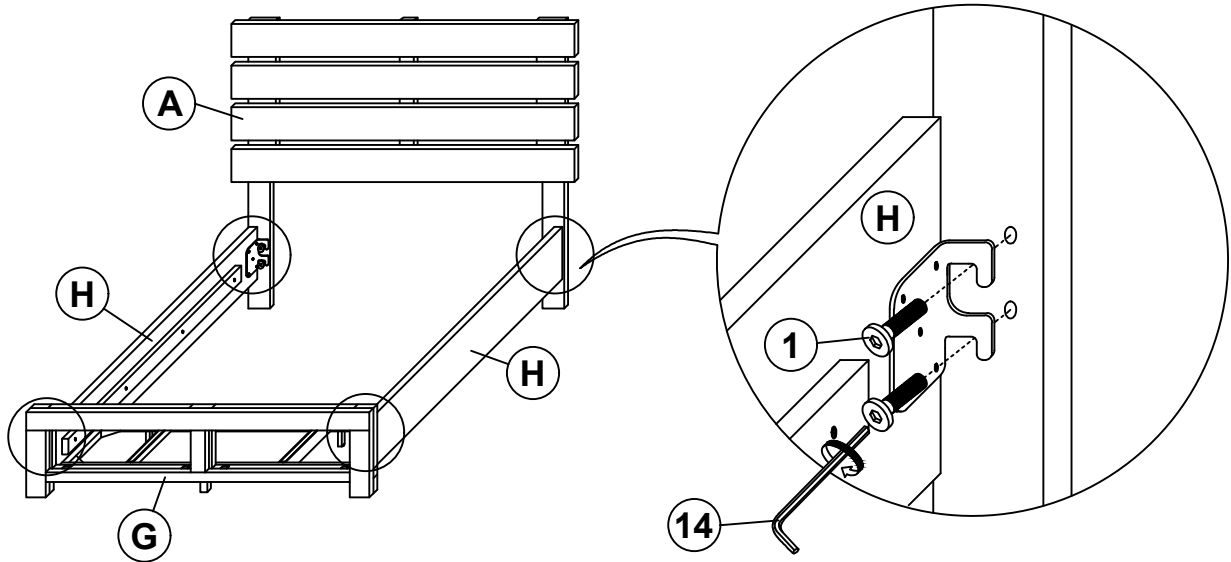
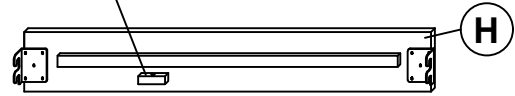


# ITEM: (B1&B2)

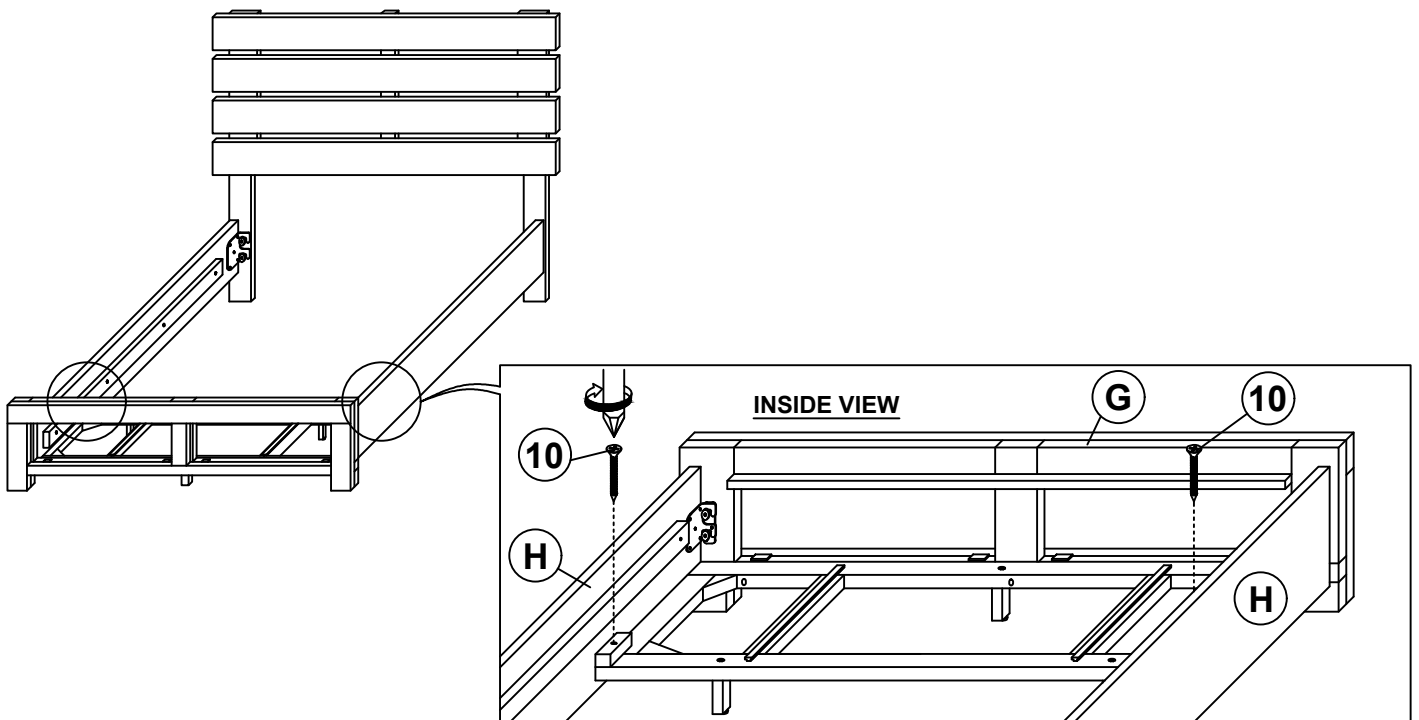
## ASSEMBLY INSTRUCTIONS

### STEP 7

THE SIDE WITH THE SMALL WOODEN BLOCK NEEDS TO FACE THE (G).

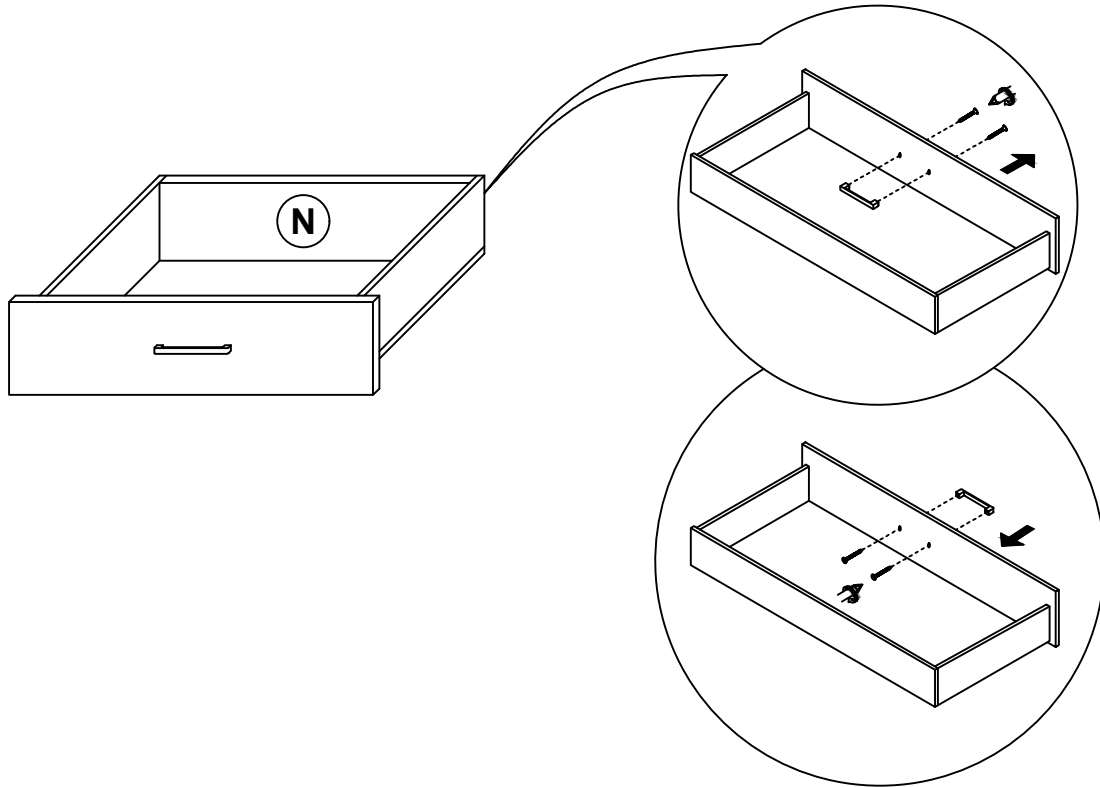


### STEP 8

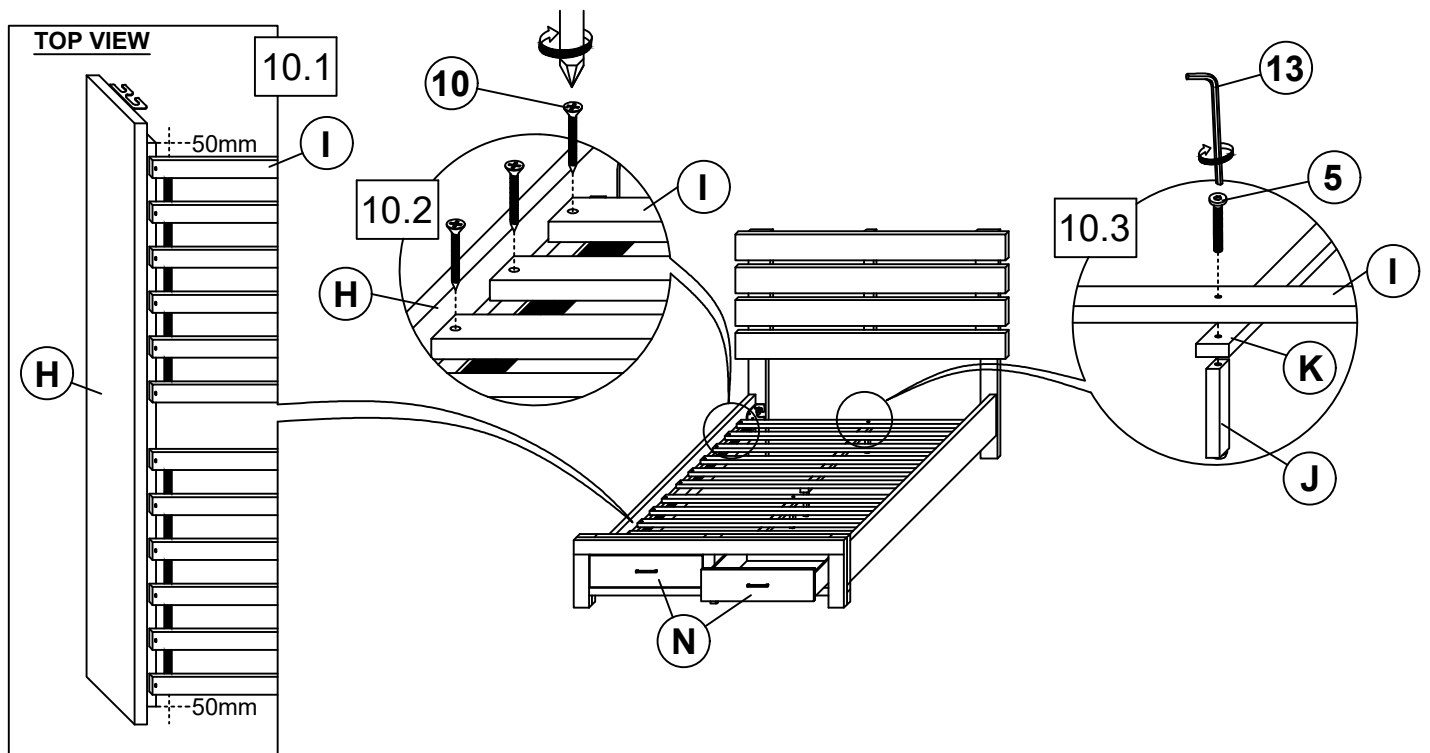


# ITEM: (B1&B2)

## ASSEMBLY INSTRUCTIONS



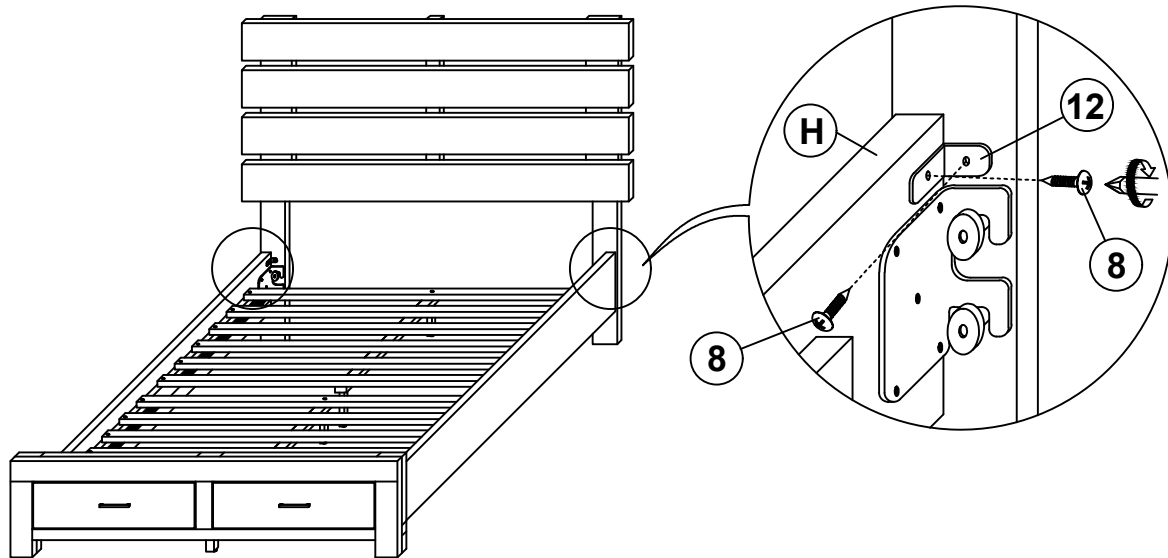
## STEP 10



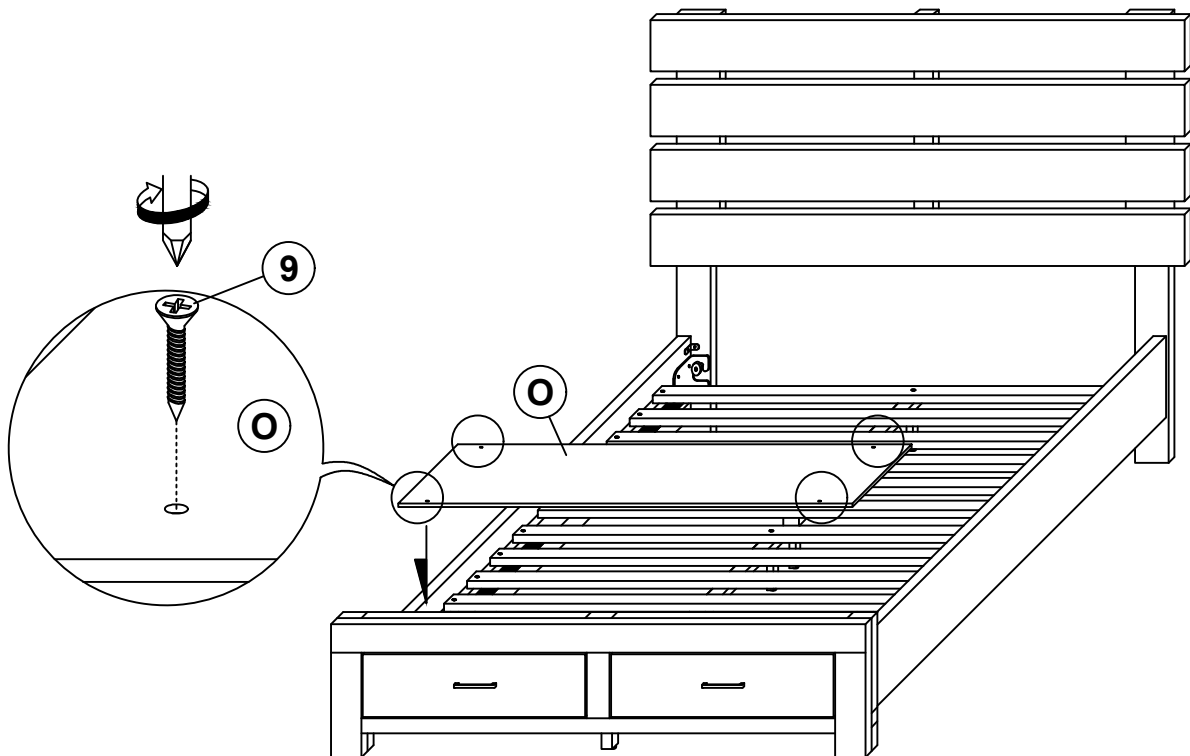
ITEM: **(B1&B2)**

ASSEMBLY INSTRUCTIONS

**STEP 11**



**STEP 12**



ITEM: **(B1&B2)**

**ASSEMBLY INSTRUCTIONS**

**STEP 13**

**COMPLETE**

