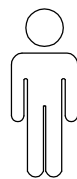
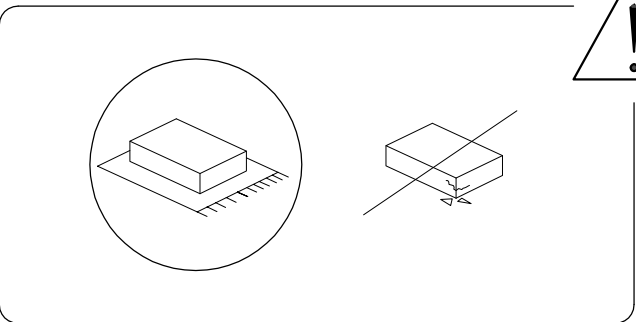
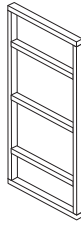
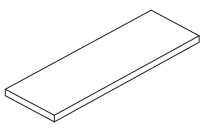
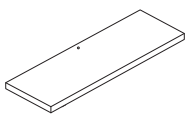

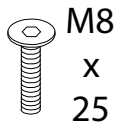
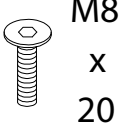
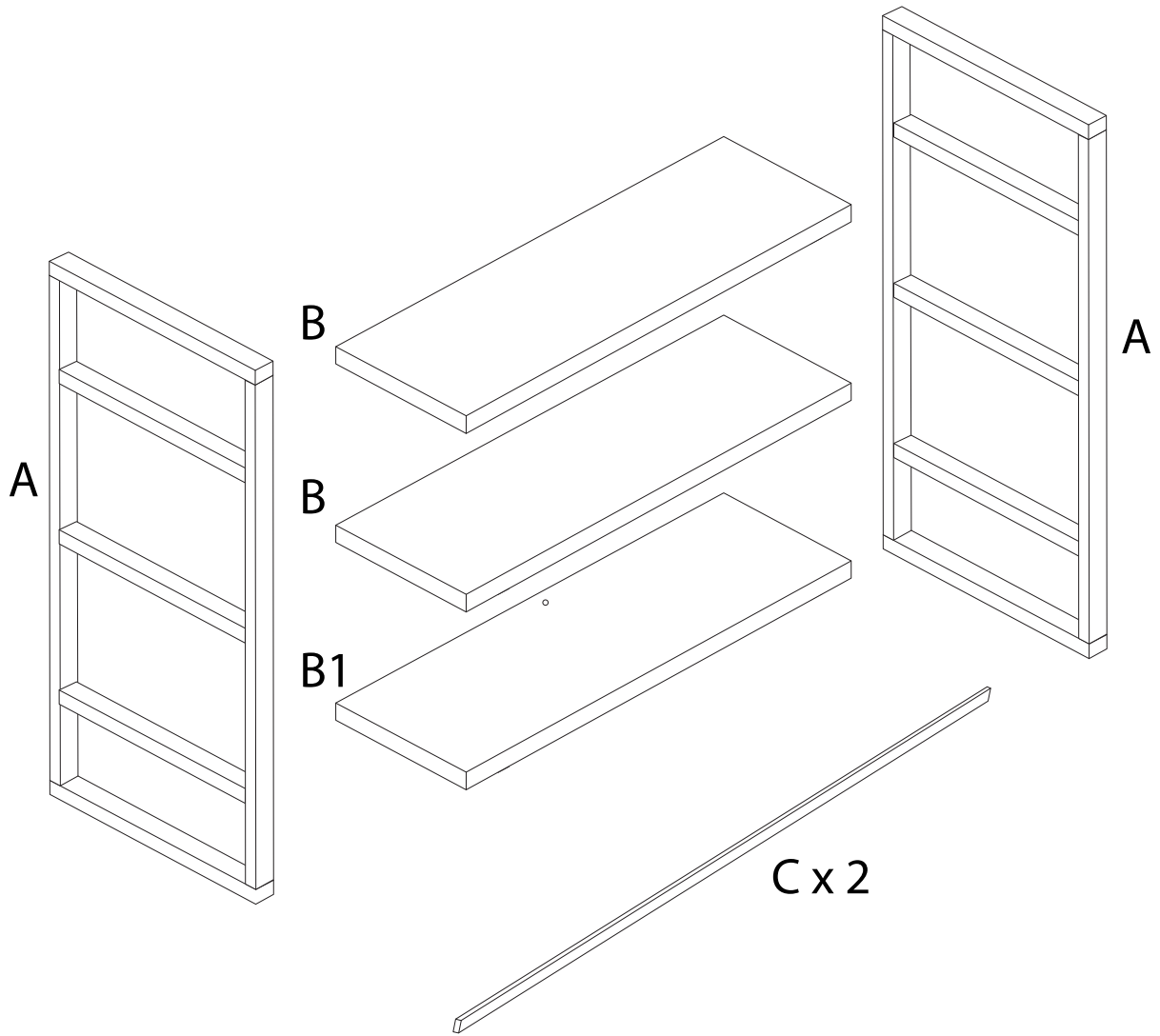


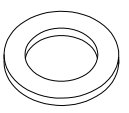
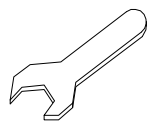
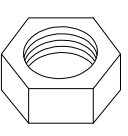
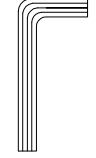
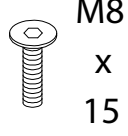
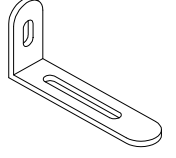
30'



1

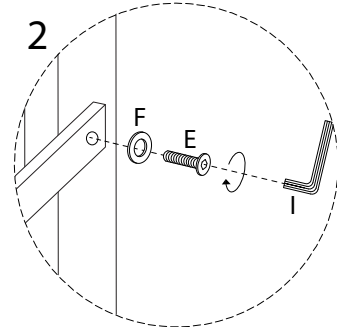
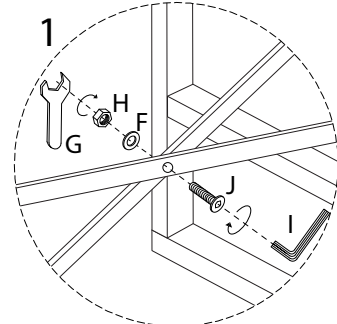
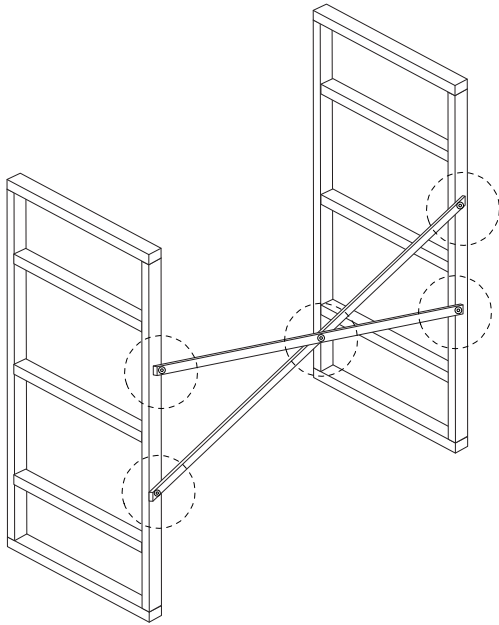
<p>A</p> 	<p>B</p> 	<p>B1</p> 	<p>C</p> 	<p>D</p>  <p>M8 x 25</p>	<p>E</p>  <p>M8 x 20</p>
<p>x 2</p>	<p>x 2</p>	<p>x 1</p>	<p>x 2</p>	<p>x 13</p>	<p>x 4</p>



<p>F</p> 	<p>G</p> 	<p>H</p> 	<p>I</p> 	<p>J</p>  <p>M8 x 15</p>	<p>K</p> 
<p>x 18</p>	<p>x 1</p>	<p>x 1</p>	<p>x 1</p>	<p>x 1</p>	<p>x 1</p>

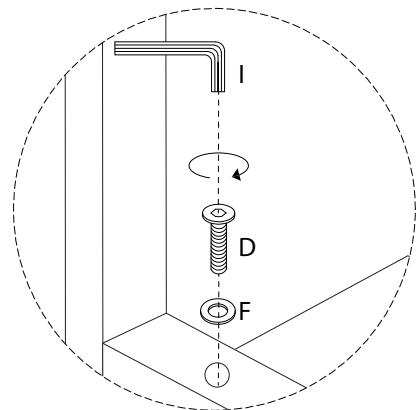
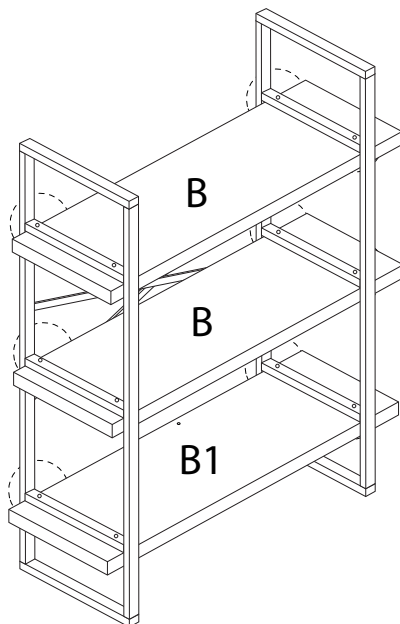
1

A x 2	C x 2	E M8 x 20 x 4	F x 5	G x 1	H x 1	I x 1	J M8 x 15 x 1
---------------------	---------------------	--------------------------------------	---------------------	---------------------	---------------------	---------------------	--------------------------------------

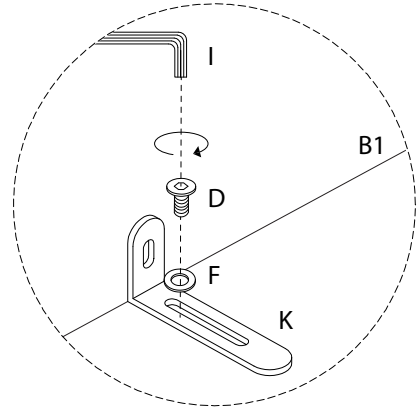
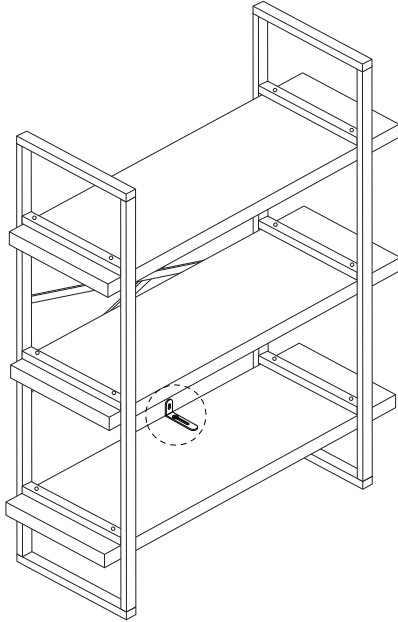
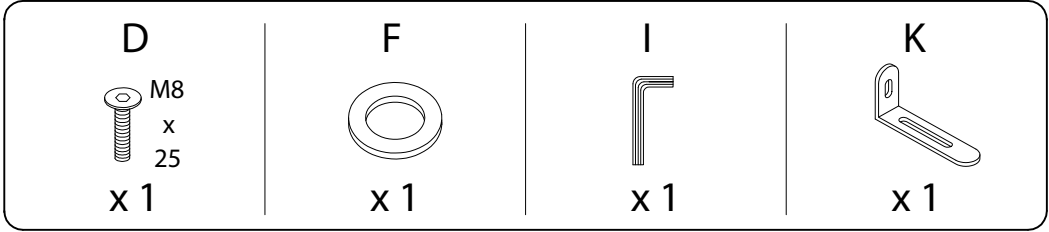


2

B x 2	B1 x 1	D M8 x 25 x 12	F x 12	I x 1
---------------------	----------------------	---------------------------------------	----------------------	---------------------



3



!

