

# ASSEMBLY AND DRESSING INSTRUCTIONS

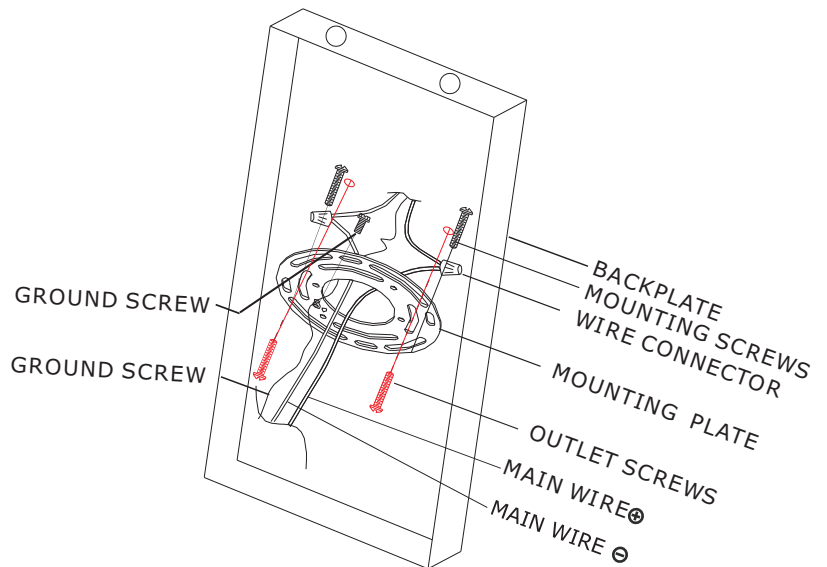
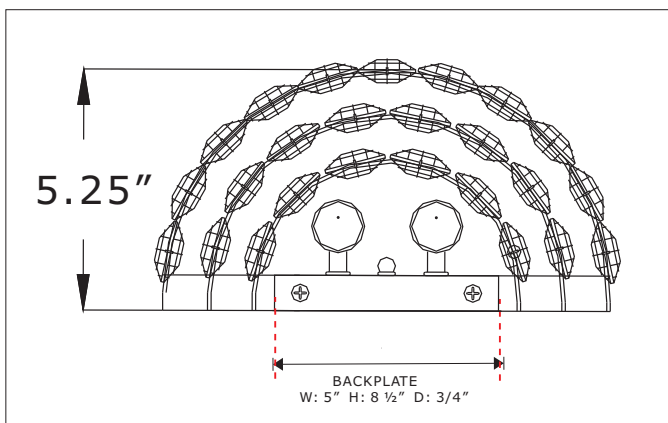
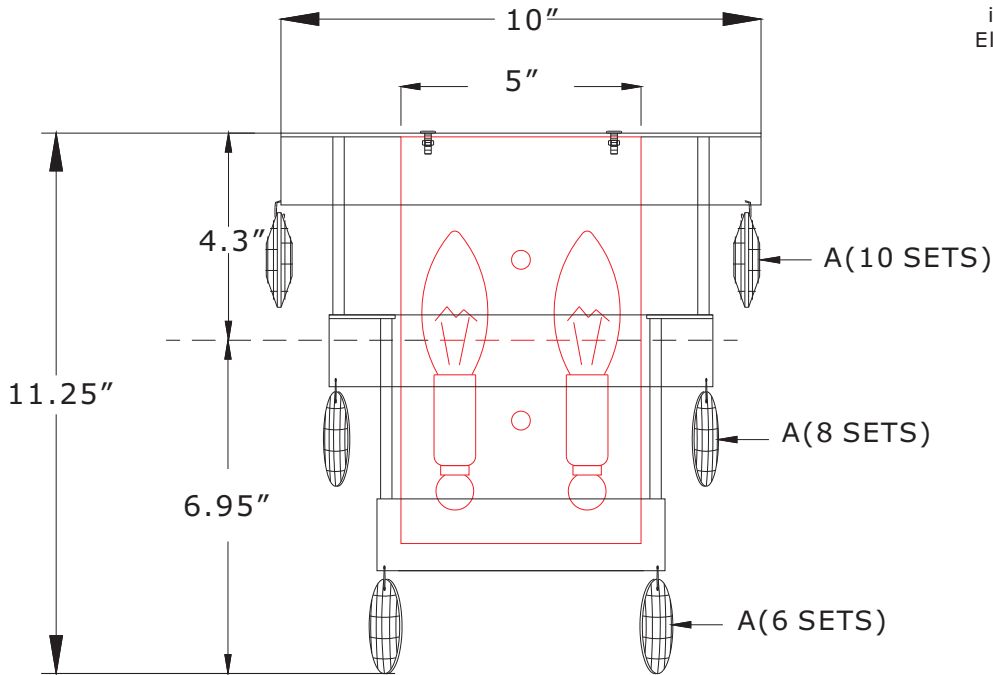


WARNING  
Electrical Danger Turn Power off

All electrical components must be installed by a licensed electrician in accordance with the National Electric Code and the appropriate local electrical codes



You will need 2 Candelabra bulbs. 40 Watts recommended 60 Watts max. Bulb not included.



A =  (CUT CRYSTAL 2") x 24 SETS (+) (1 SPARE)