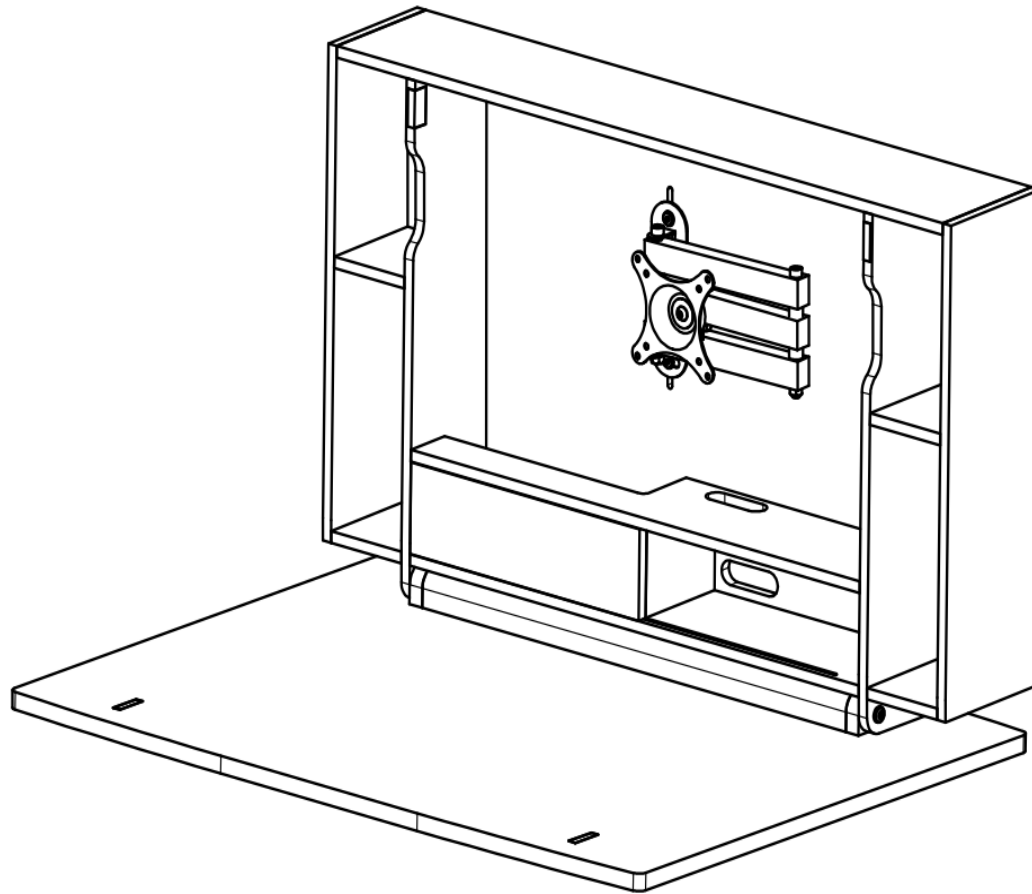


WALL MOUNTED DESK – 36"



WARNINGS

Worktop Load Limit

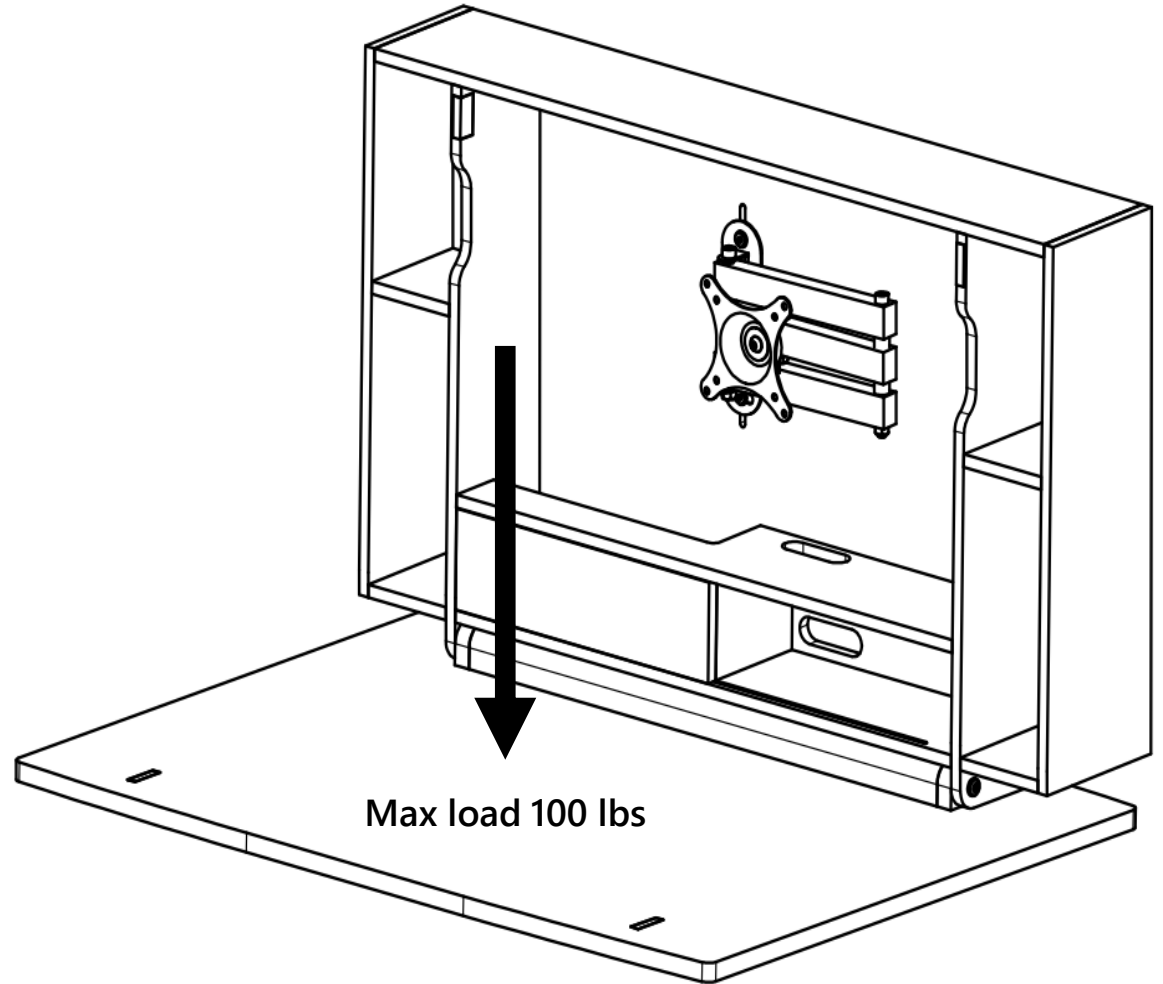
Do not exceed 100 lbs of weight on the desk top surface when unfolded.

Total Weight Capacity

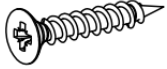






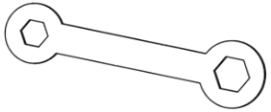

Do not exceed 200 lbs total weight of wall mounted desk and accessories.

Safety Warning

Do not sit or stand on the desk.
Do not allow children to play on or around desk.



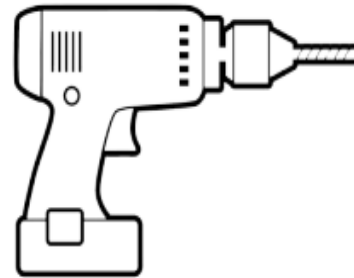
HARDWARE – INCLUDED

	Pack #1	Pack #2	Loose Item
Fixings	<p>Ø4x25  x2</p> <p>Wall Anchor  x6</p> <p>Ø6x60 Flat head  x6</p> <p>Ø5x60 Pan head  x6</p>	<p>M4 or M5  x4</p> <p>Washer Ø14x5x1  x4</p>	<p>Wooden Wall Slat  x1</p>
Tools	<p>Wrench  x1</p>	<p>Allen Key 4mm and 5mm  x2</p>	

HARDWARE – NOT INCLUDED



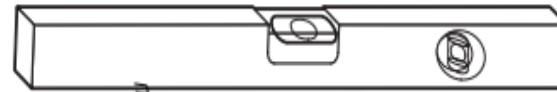
Screwdriver



Drill



Hammer



Spirit Level

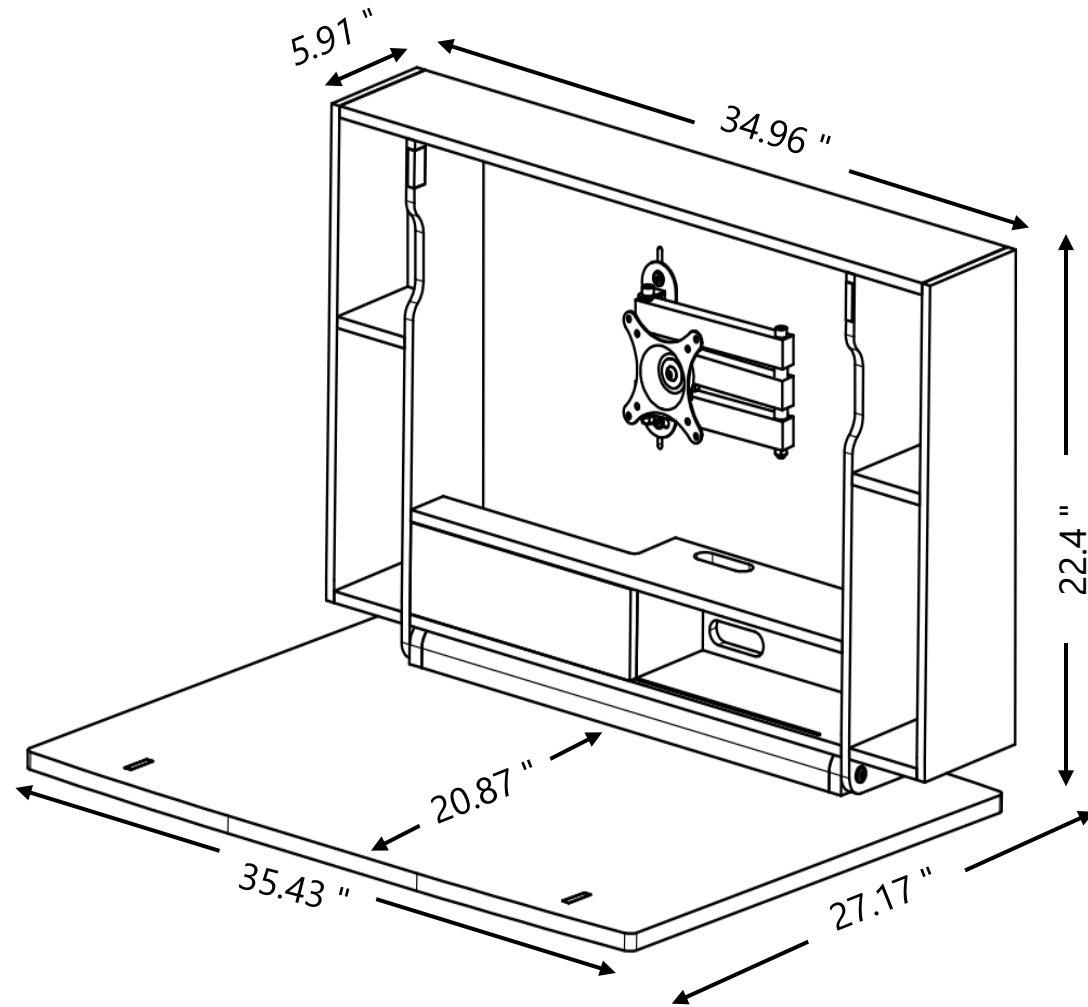
DIMENSIONS – EXTERIOR & WORKTOP

Exterior Dimensions when Closed

Height : 26.57 inches (Total Depth of Worktop)
Width : 35.43 inches
Depth : 7.09 inches

Available Worktop Dimensions

Width : 35.43 inches
Depth : 20.87 inches



DIMENSIONS – MONITOR SPACE

Available Monitor Space Dimensions

Height : 14.96 inches

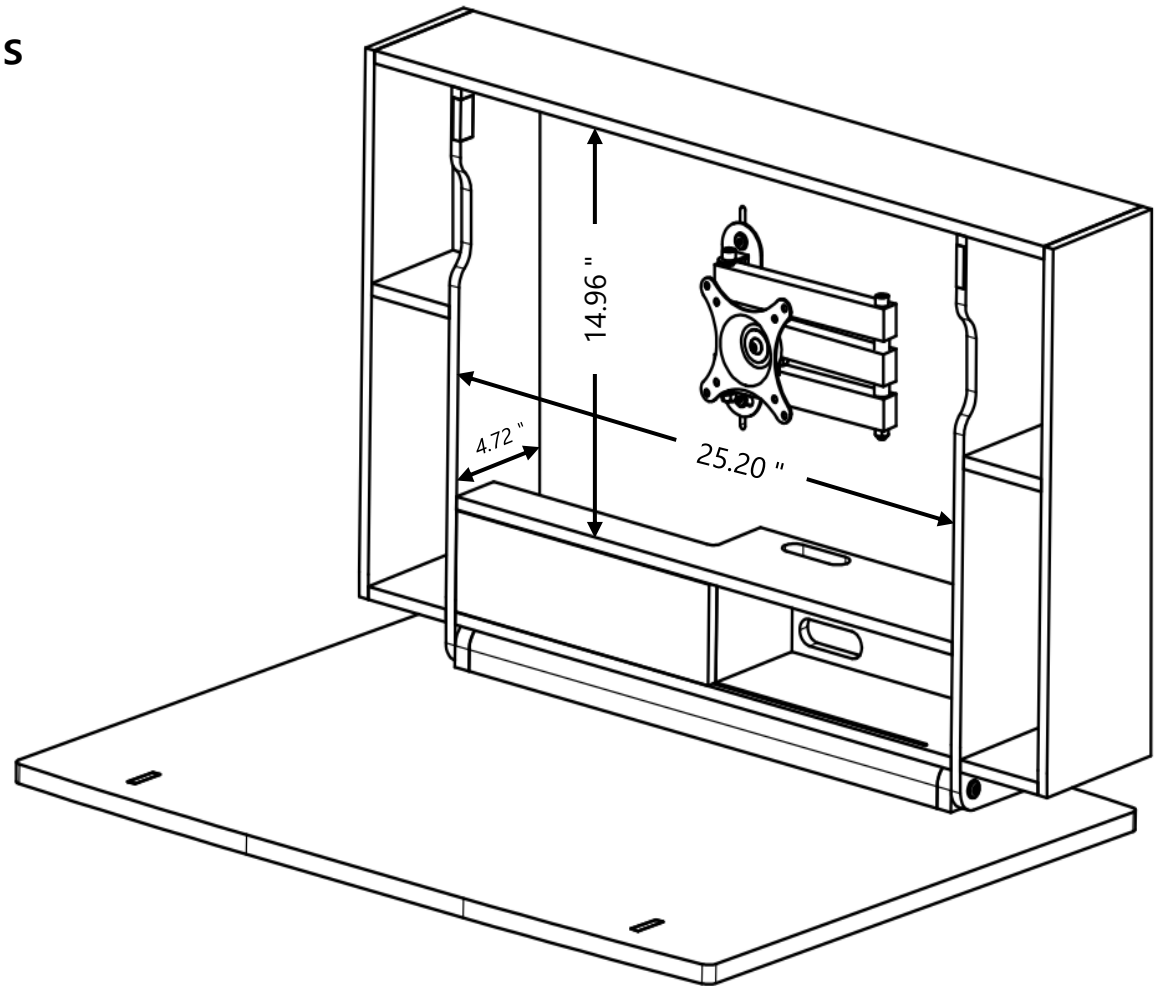
Width : 25.20 inches

Depth available: 2.36 inches

The mounted desk is designed to accommodate a 27-inch monitor or smaller.

The recommended maximum depth for your monitor is 2.36 inches.

When choosing a monitor for your desk, it is important to ensure that the combined depth of your monitor and the mount bracket does not exceed 4.72 inches in total so the desk may close properly.



INSTALLATION – WALL MOUNT

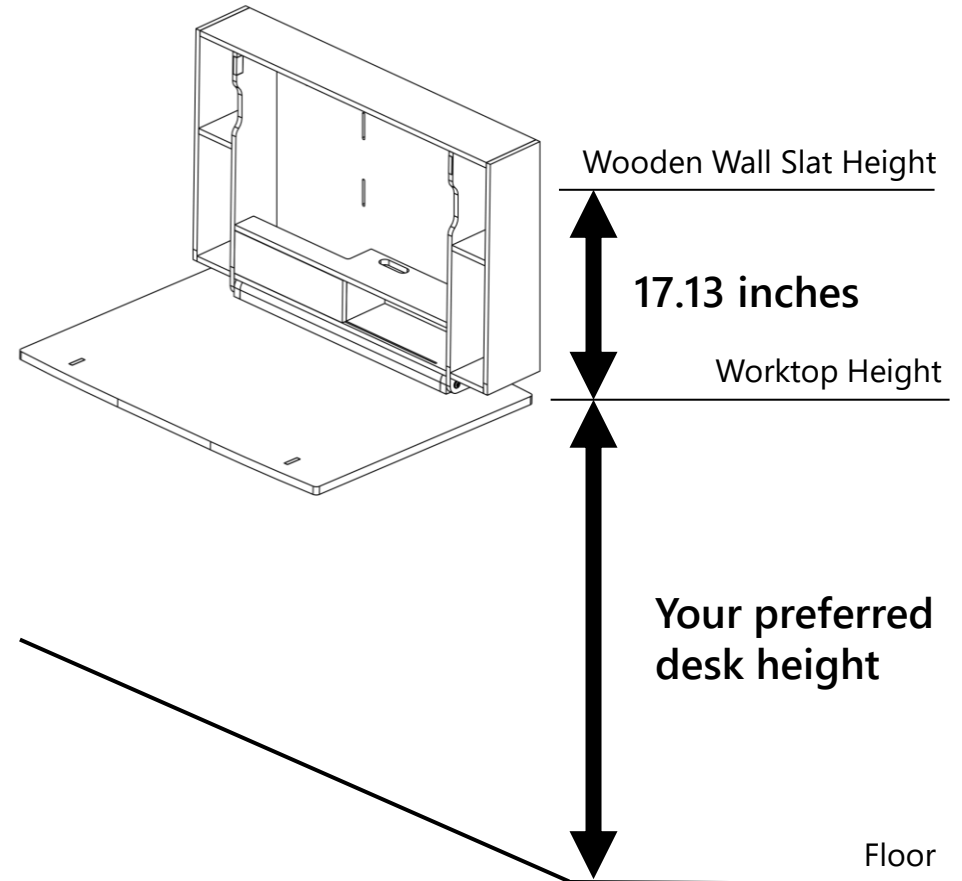
Determine Desk Height from Floor

Determine the desired height of your desk surface. Your desk height should allow you to keep your arms, wrists, and elbows in a neutral position while working.

To find the ideal height, sit or stand as you would at your desk, and extend your arms in front of you, forming a 90-degree angle with your elbow. Measure from the floor to the underside of your forearm. This is your ideal desk height.

Mounting the Wooden Wall Slat

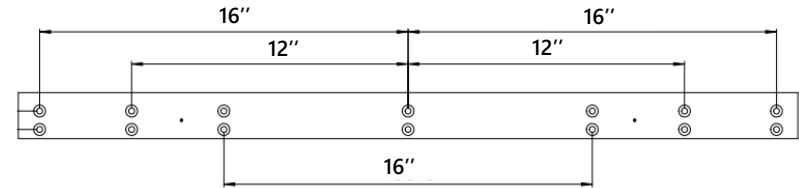
The height to install the Wooden Wall Slat should be measured from the desired worktop height to the bottom of the Wooden Wall Slat.



INSTALLATION – WALL MOUNT

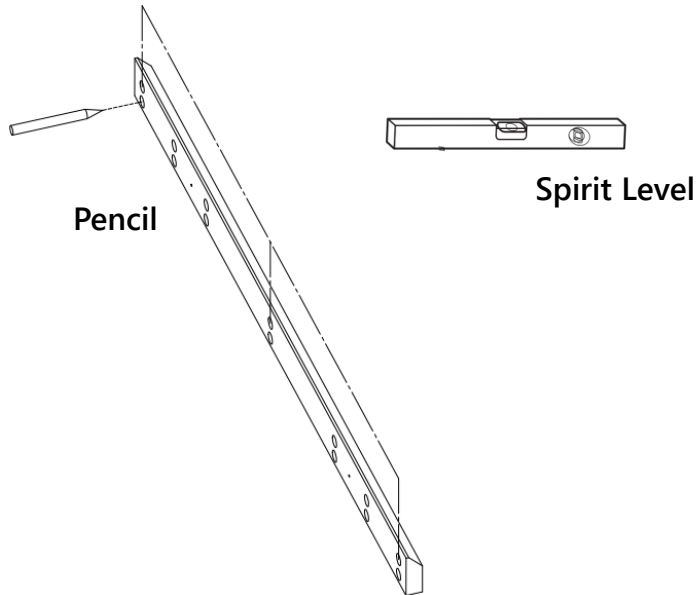
1

Use the loose item Wooden Wall Slat for this step.
For Brick and Concrete or Drywall with a Wooden Frame, follow the instructions below to mark 6 fixing holes. For other wall types, use suitable tools and methods to mark the positions of the fixing holes.



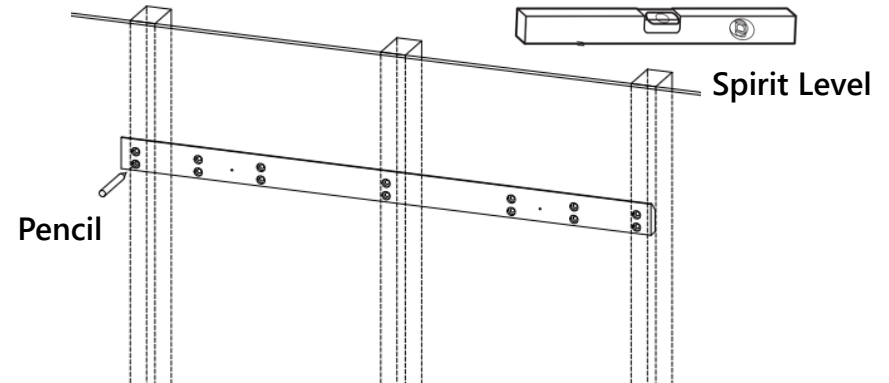
Wooden Wall Slat dimensions reference

Brick and Concrete Wall



Use the Wooden Wall Slat as a guide and mark the positions of 6 fixing holes with a pencil.

Dry Wall – Wooden Frame



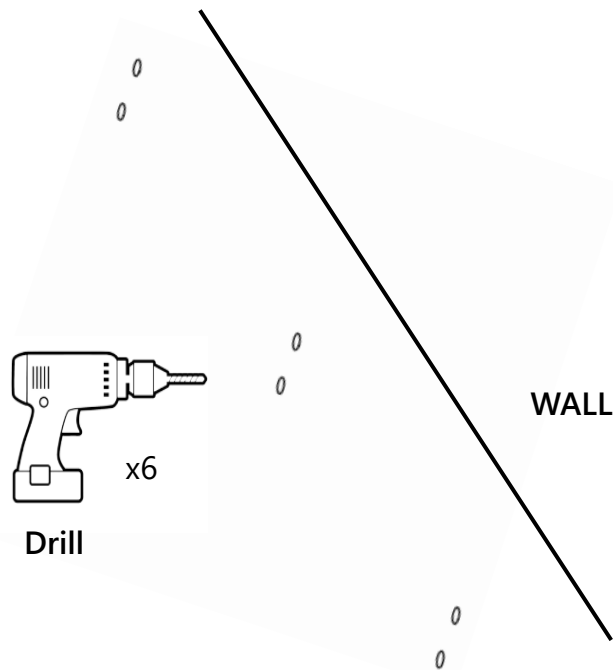
Using an electronic stud finder or an alternate method, locate and mark the studs in the wall behind where you intend to hang your desk.

Use the Wooden Wall Slat as a guide and mark the positions of 6 fixing holes with a pencil.

INSTALLATION – WALL MOUNT

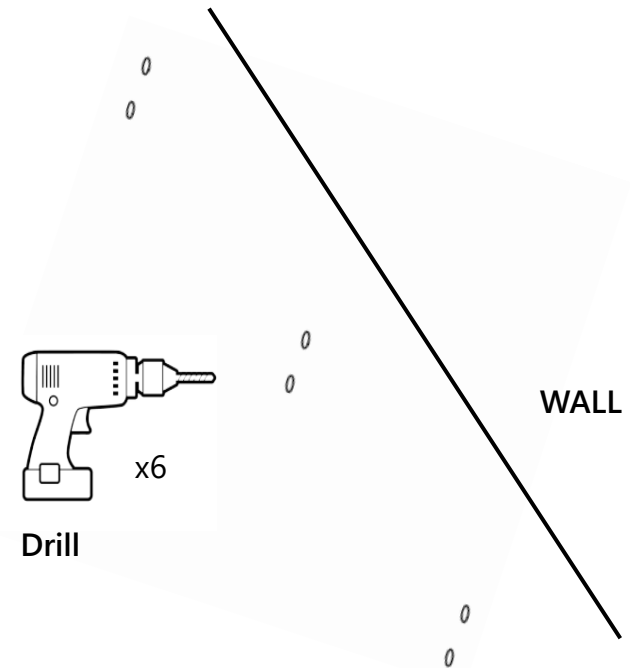
- 2 For Brick and Concrete or Drywall with a Wooden Frame, follow the instructions below to drill 6 holes in the marked positions. For other wall types, use the appropriate drill bit and hardware suitable for the wall material.

Brick and Concrete Wall



Drill six Ø8mm holes in the positions marked on your brick and concrete wall.

Dry Wall – Wooden Frame

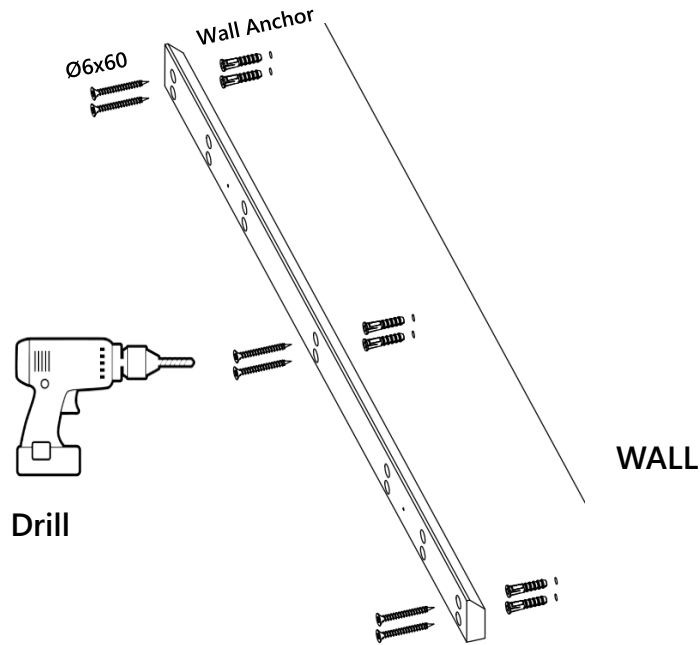


Drill six Ø3mm holes in the positions marked on your dry wall – wooden frame wall.

INSTALLATION – WALL MOUNT

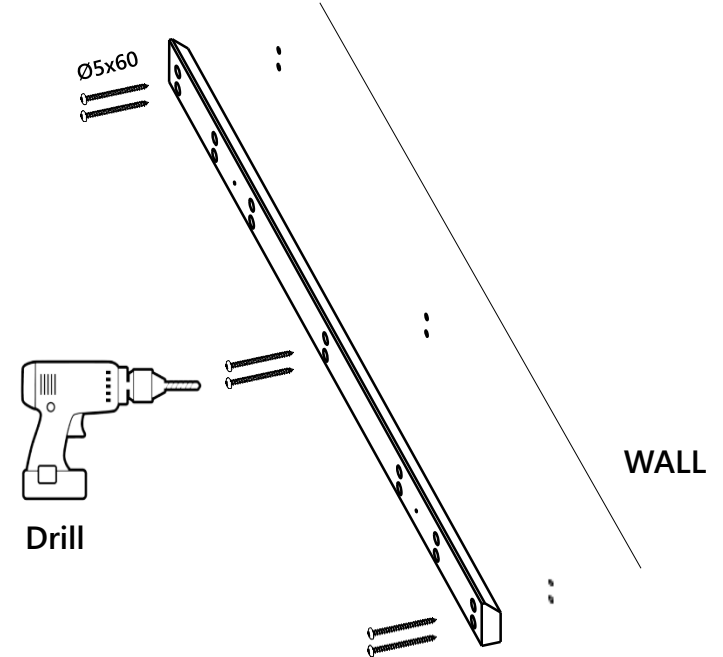
- 3** Open Hardware Pack #1 to find the required hardware for this step.
For wall types other than Brick and Concrete, or Drywall with a Wooden Frame, please purchase suitable wall anchors, screws, and other necessary hardware separately.

Brick and Concrete Wall



Insert the wall anchors into the drilled holes. Then screw the six Ø6x60 Flat head screws into the wall anchors to securely fasten the Wooden Wall Slat.

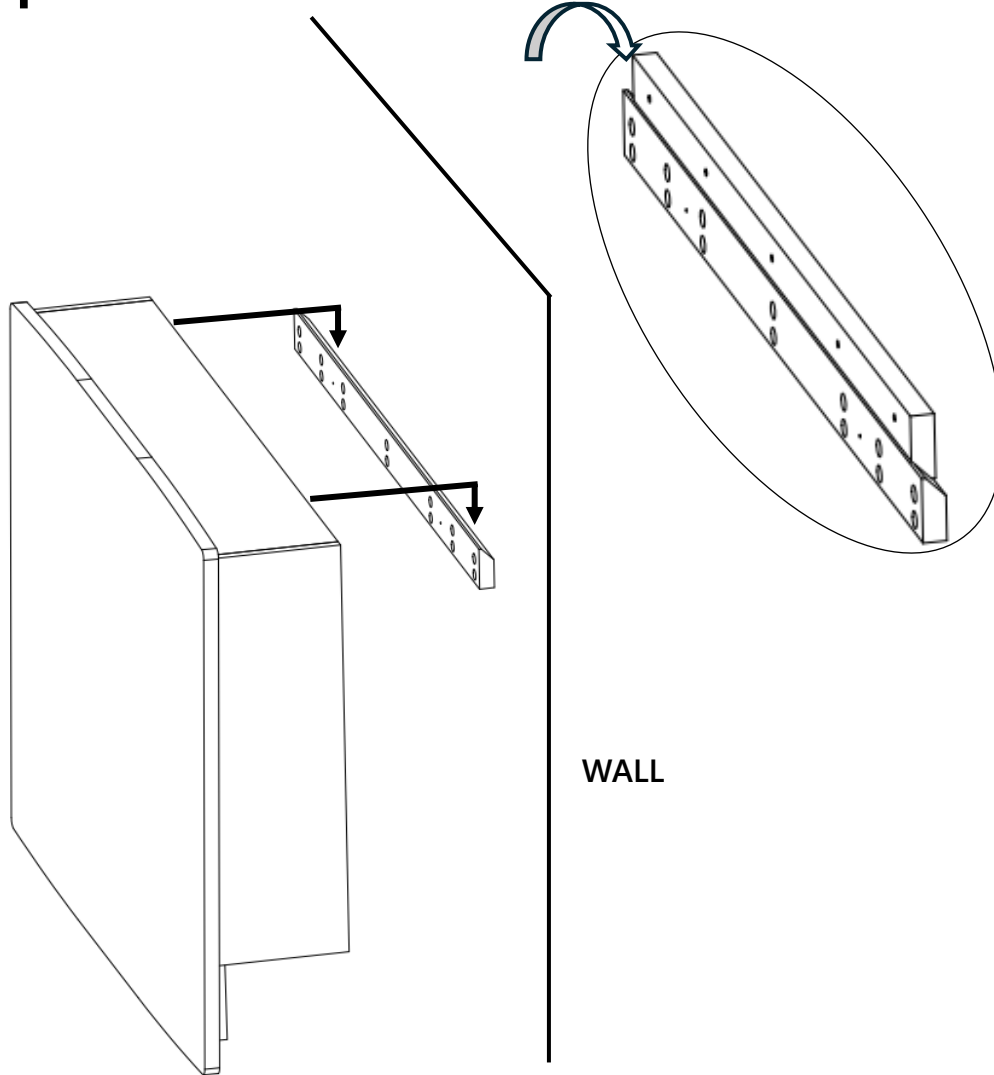
Dry Wall – Wooden Frame



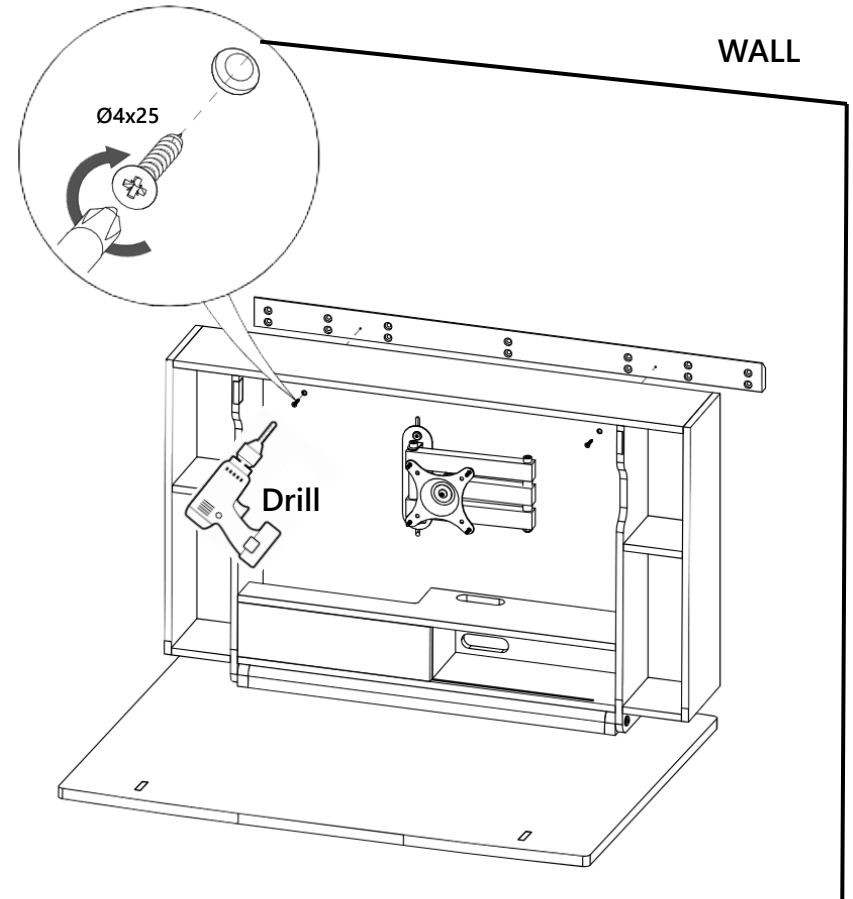
Screw the six Ø5x60 Pan head screws into the holes to securely fasten the Wooden Wall Slat.

INSTALLATION – WALL MOUNT

4 Attach the desk to the Wooden Wall Slat.



5 Check Hardware Pack #1 to find the required hardware for this step.

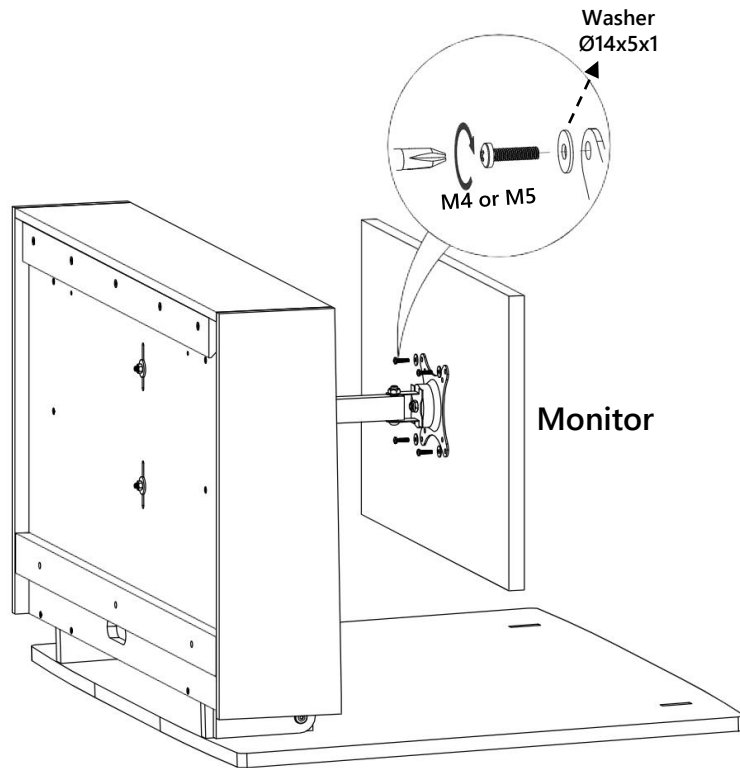


Drill in the two Ø4x25 screws to secure the desk to the Wooden Wall Slat.

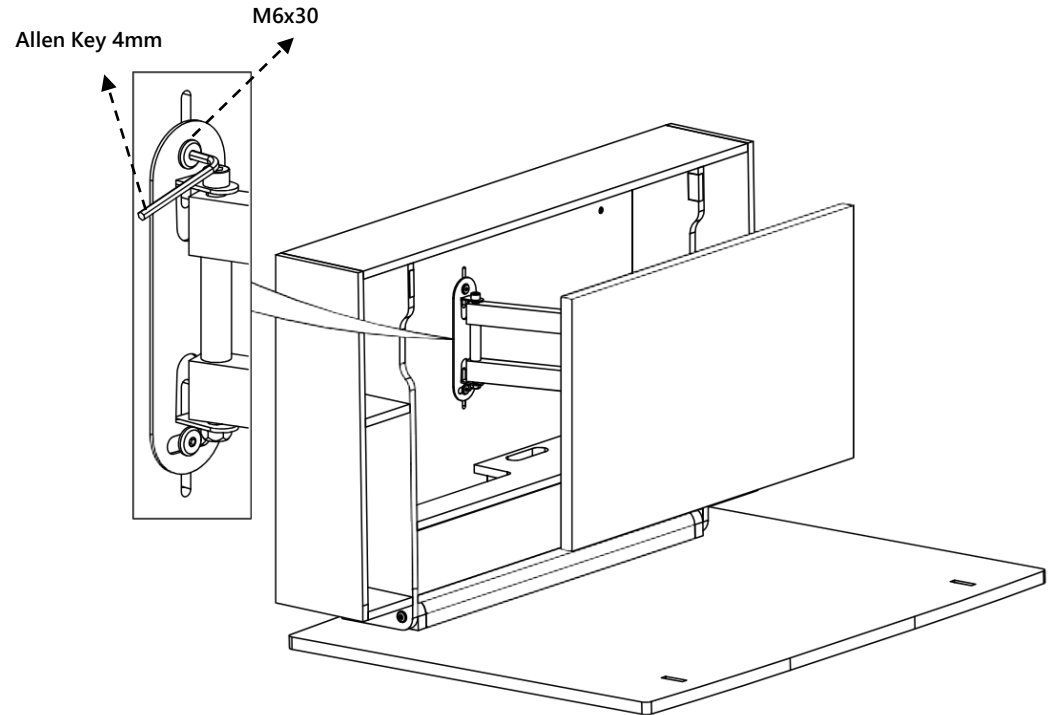
INSTALLATION – MONITOR

1 Check the diagram below to install the monitor properly.

Open and check pack #2 find the required hardware for this step.



2 Use the 4mm Allen Key to adjust the height of the mount.



To adjust the height of the mount, slightly loosen the two M6x30 bolts on the front, then reposition the mount to the desired height and tighten the bolts again.