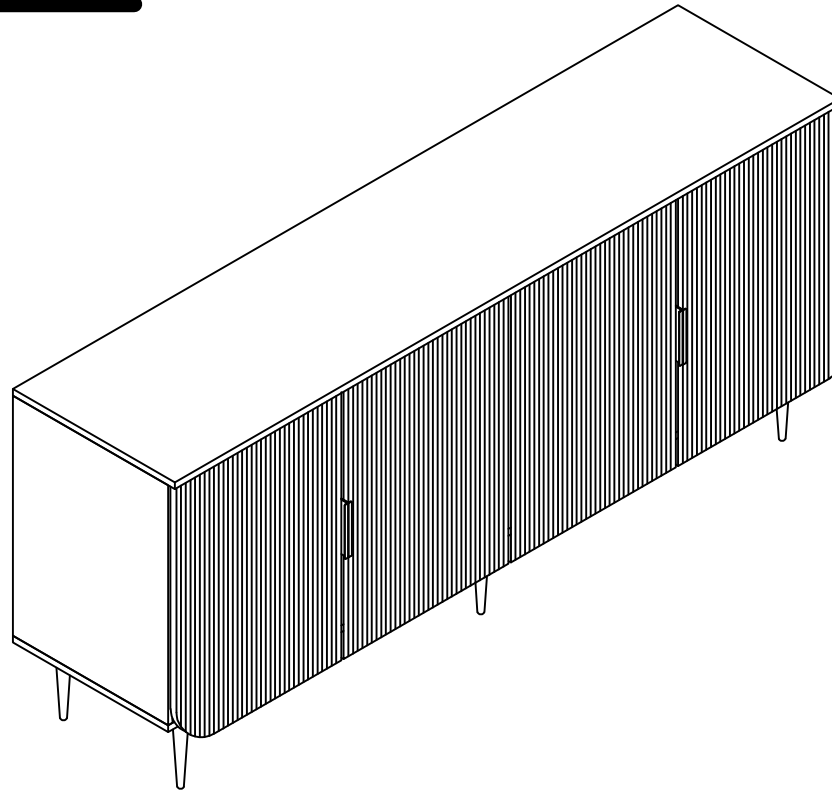


Assembly Instructions



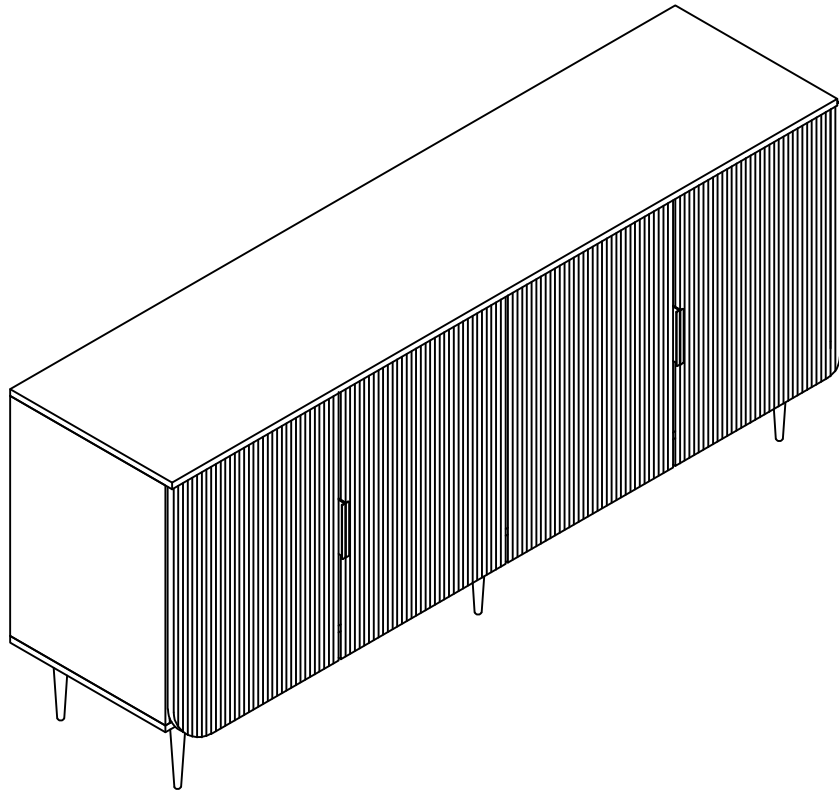
Thank you for your purchase.



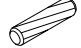
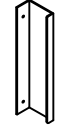
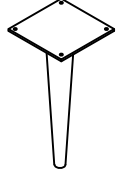
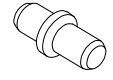
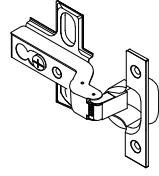
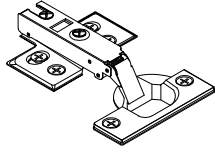




Please follow the instructions below for correct assembly.

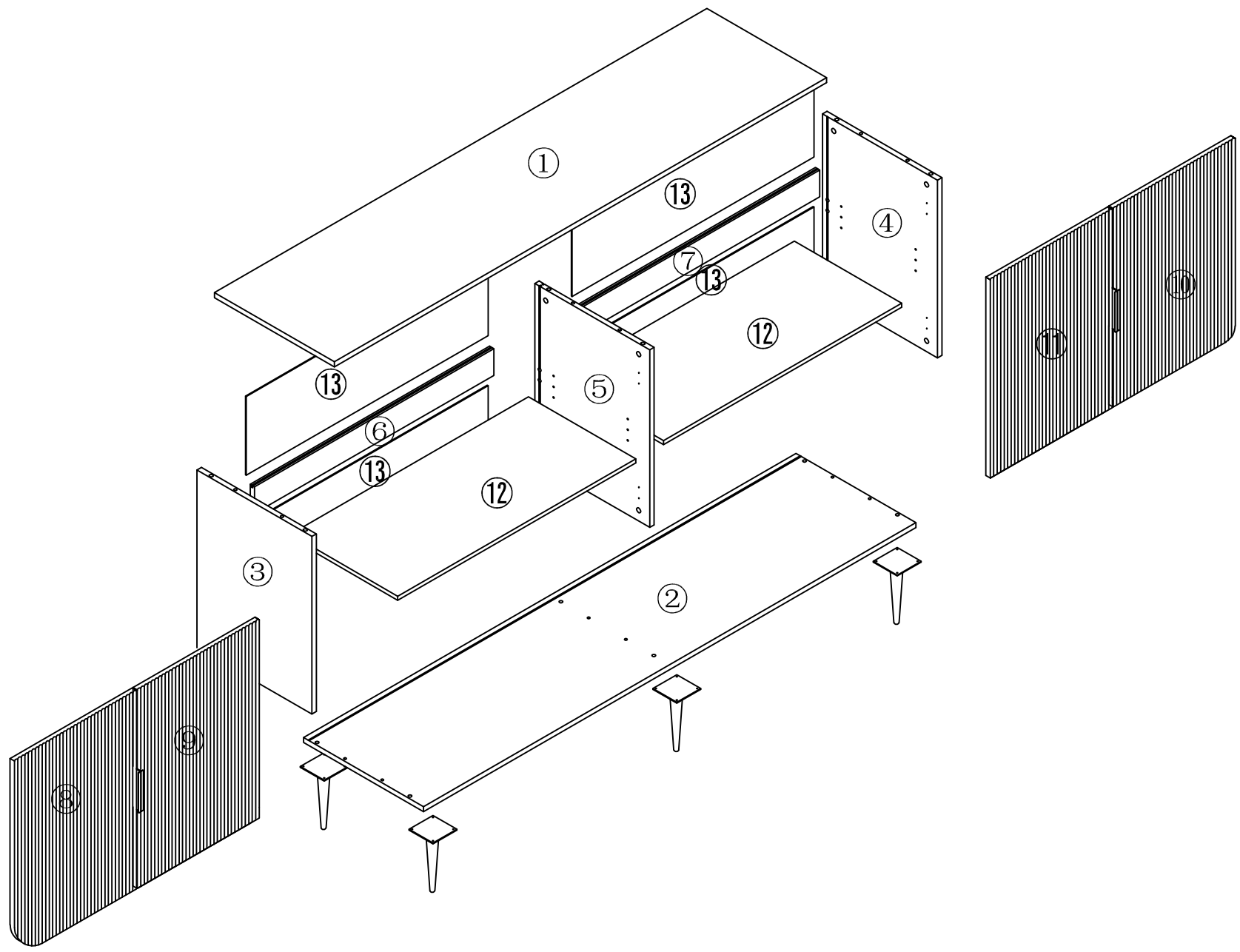
▲ For higher efficiency, we recommend to use a power drill; the power drill should be set on the low speed to avoid screw stripping.

▲ CAUTION

This package contains small parts and hardware; keep it from children to avoid accidental swallowing

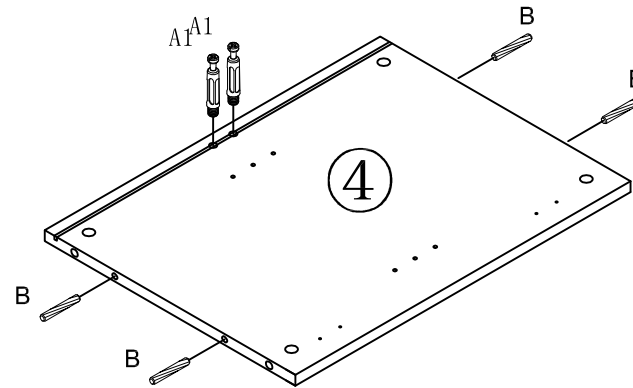
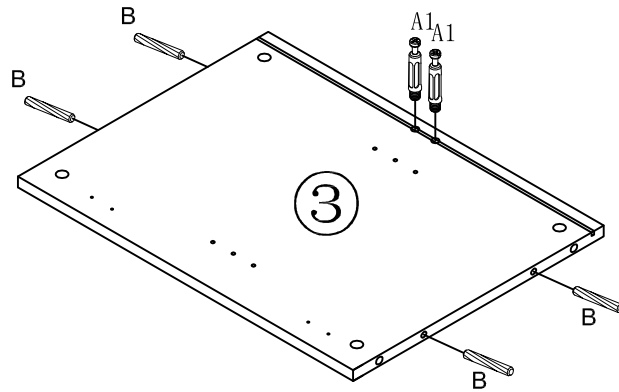
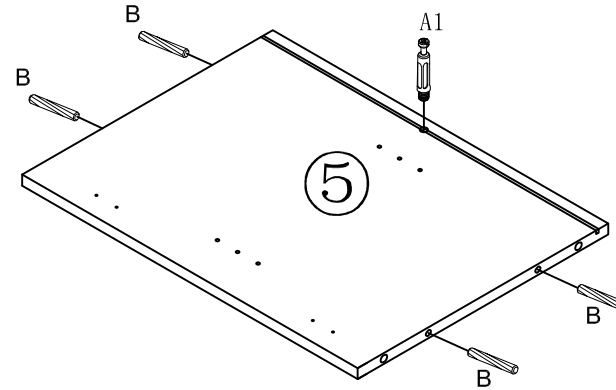
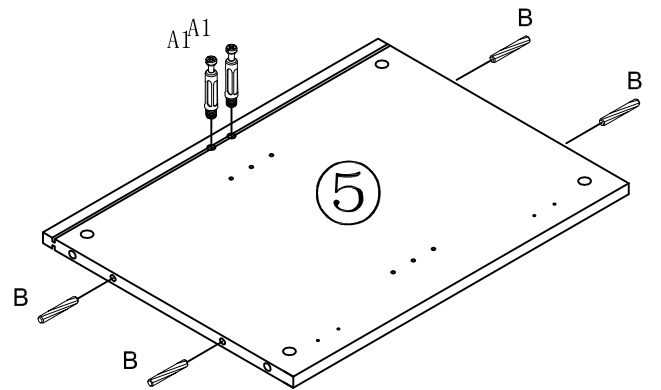
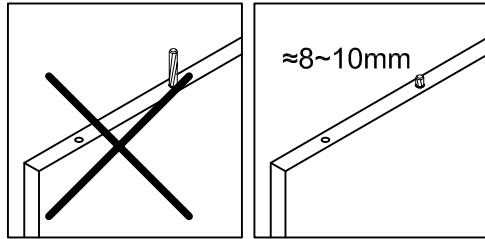




<p>A1</p>  <p>A2</p> 	 <p>Φ8*40</p>		
<p>A 19pcs</p>	<p>B 12pcs</p>	<p>C 4pcs</p>	<p>D 6pcs</p>
			 <p>Φ3.5*14</p>
<p>E 8pcs</p>	<p>F 4pcs</p>	<p>G 4pcs</p>	<p>H 64pcs</p>
<p>I1</p>  <p>I2</p> 			
<p>I 16pcs</p>	<p>J 19pcs</p>		



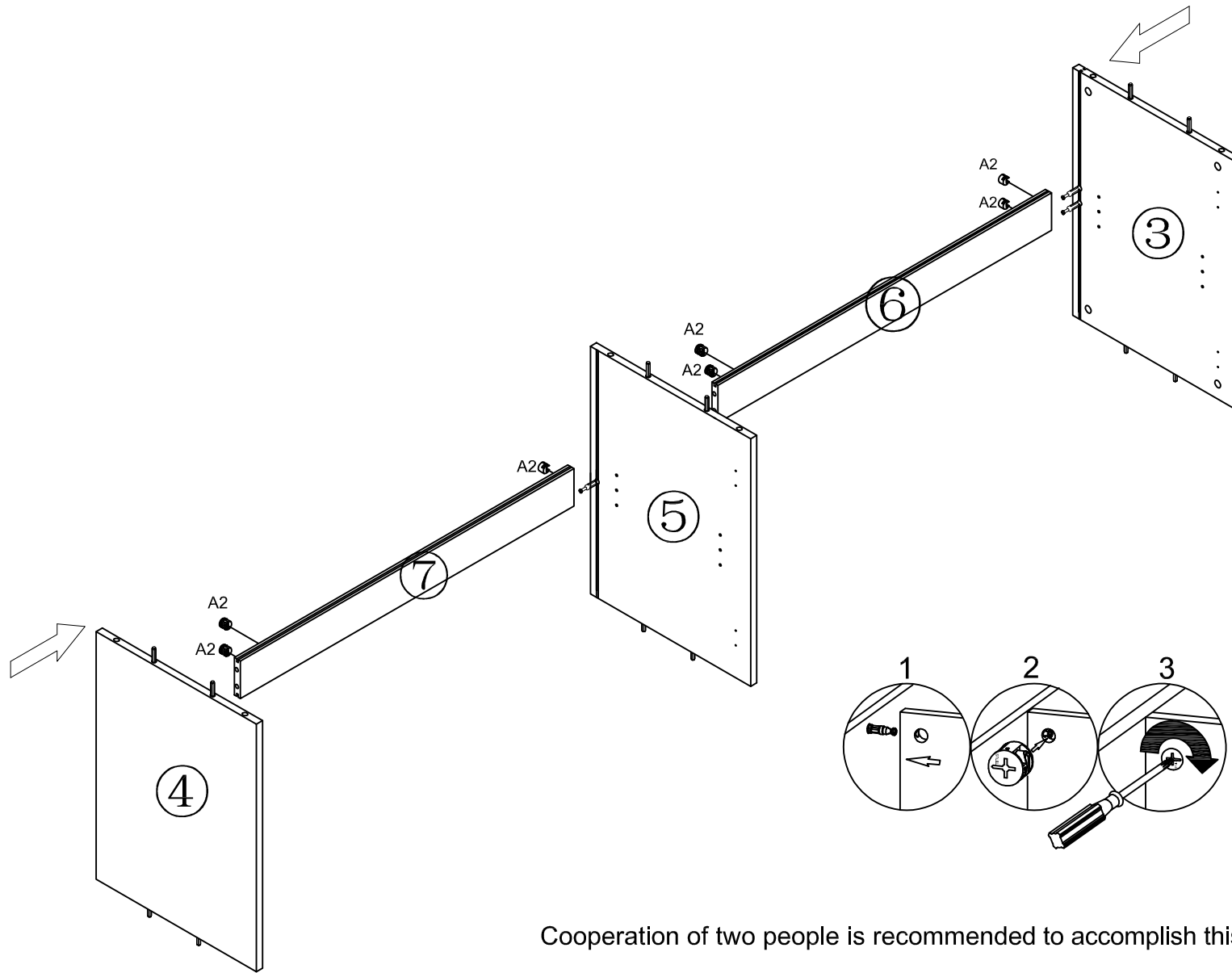
1

Please hand-insert the pegs(Hardware B) all the way in.



A1	B
	
7pcs	Φ8*40 12pcs

2



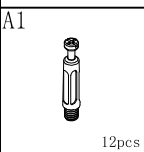
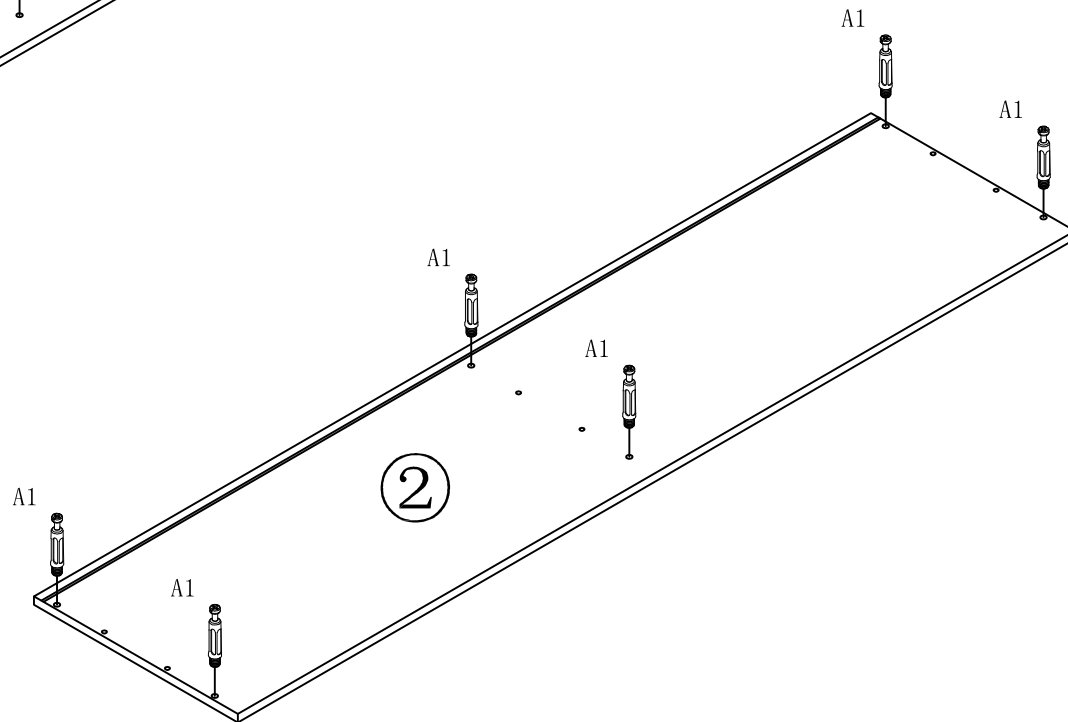
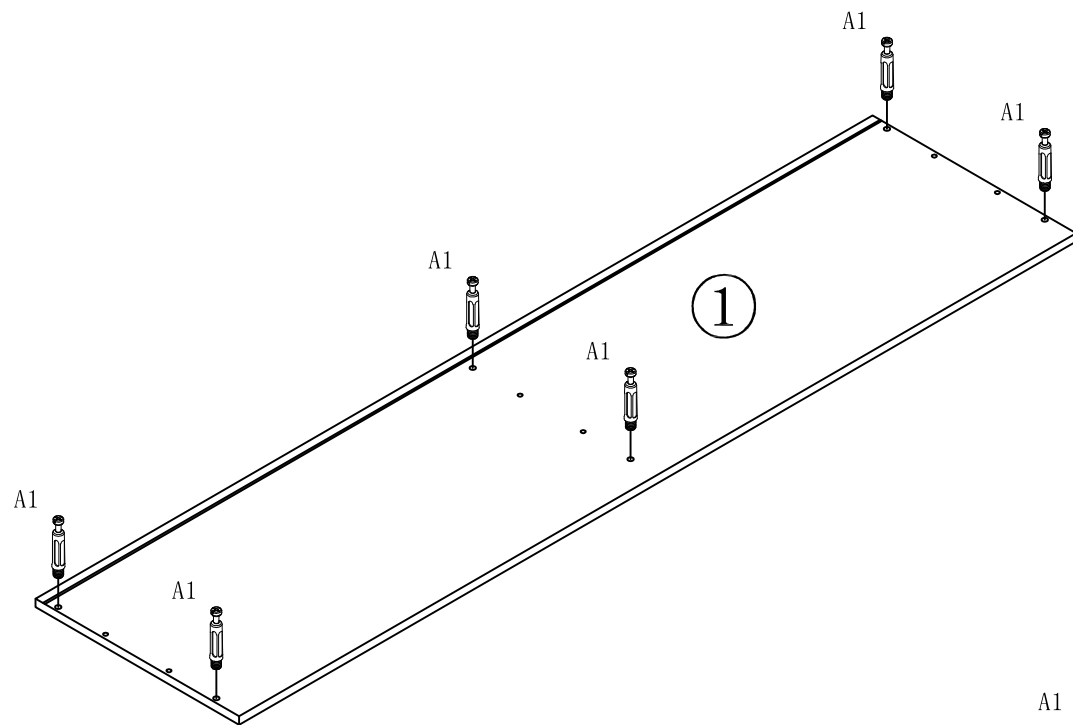
Cooperation of two people is recommended to accomplish this step.

A2

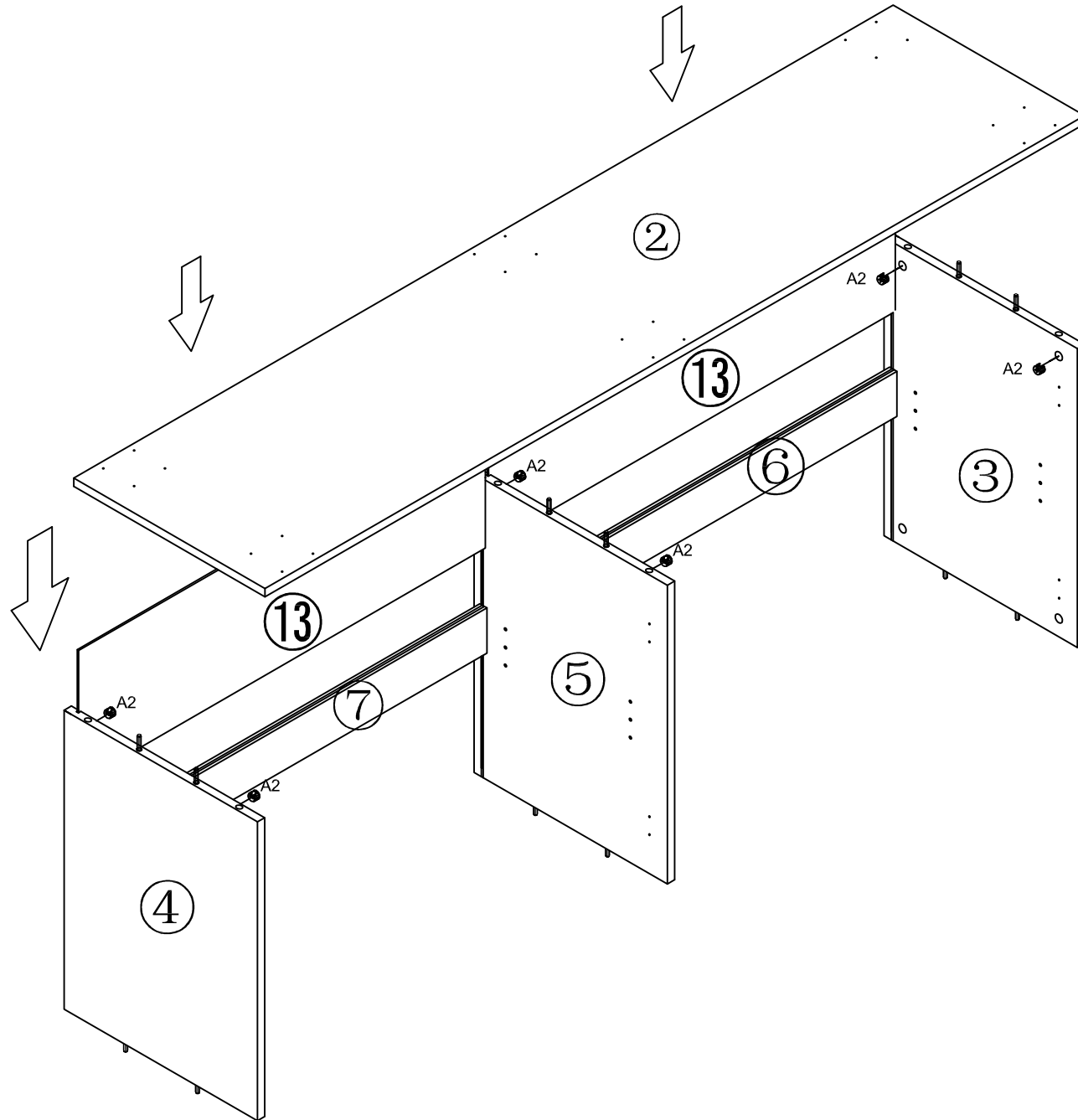


7 pcs

3



4

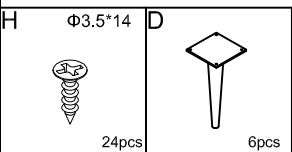
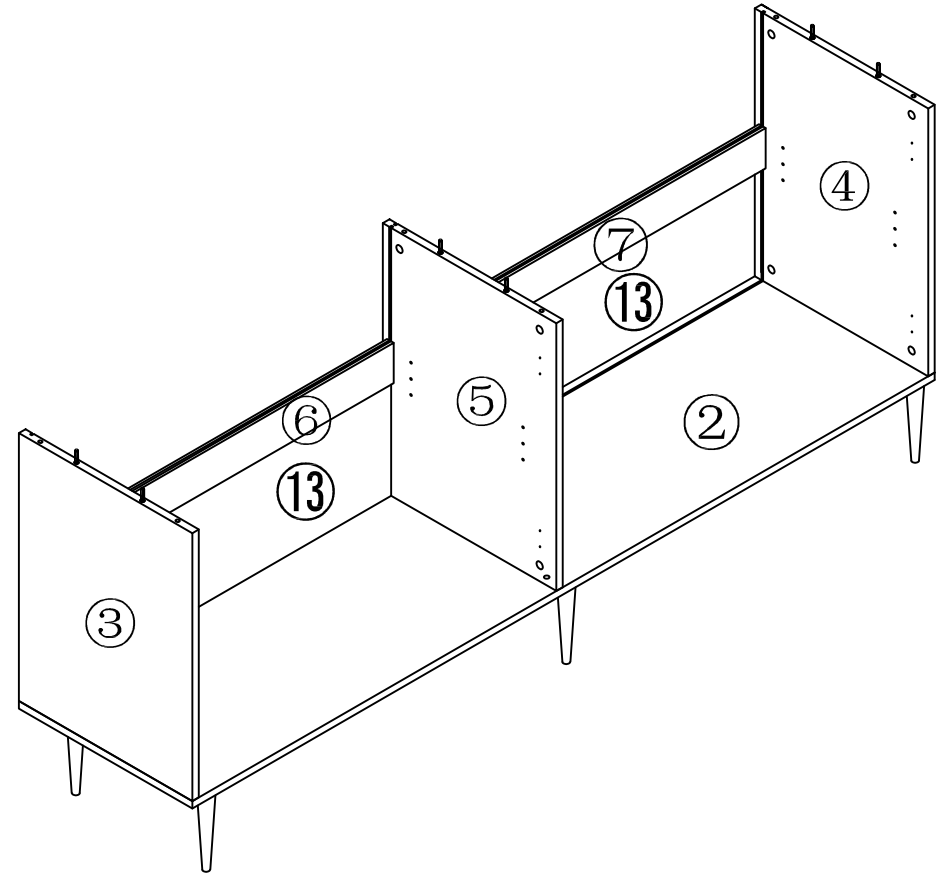
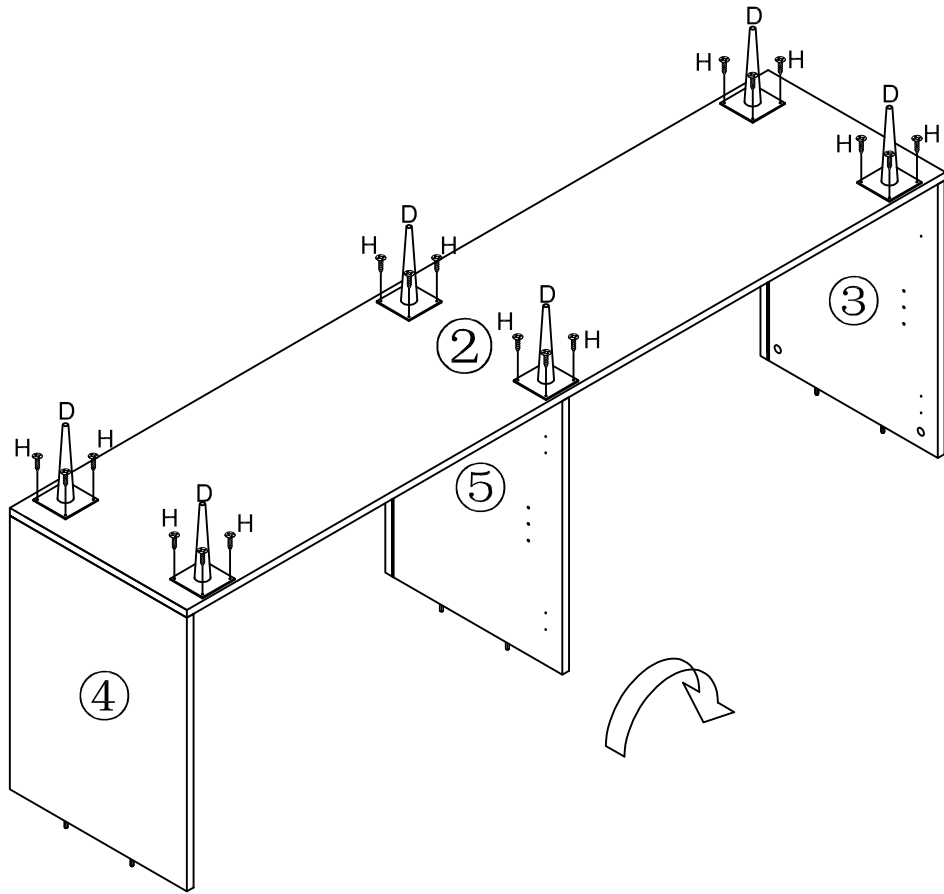


A2

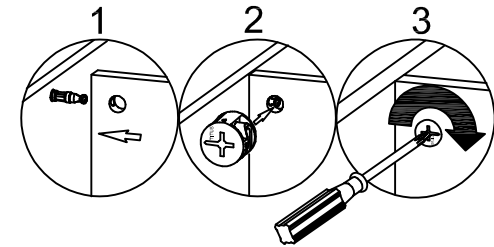
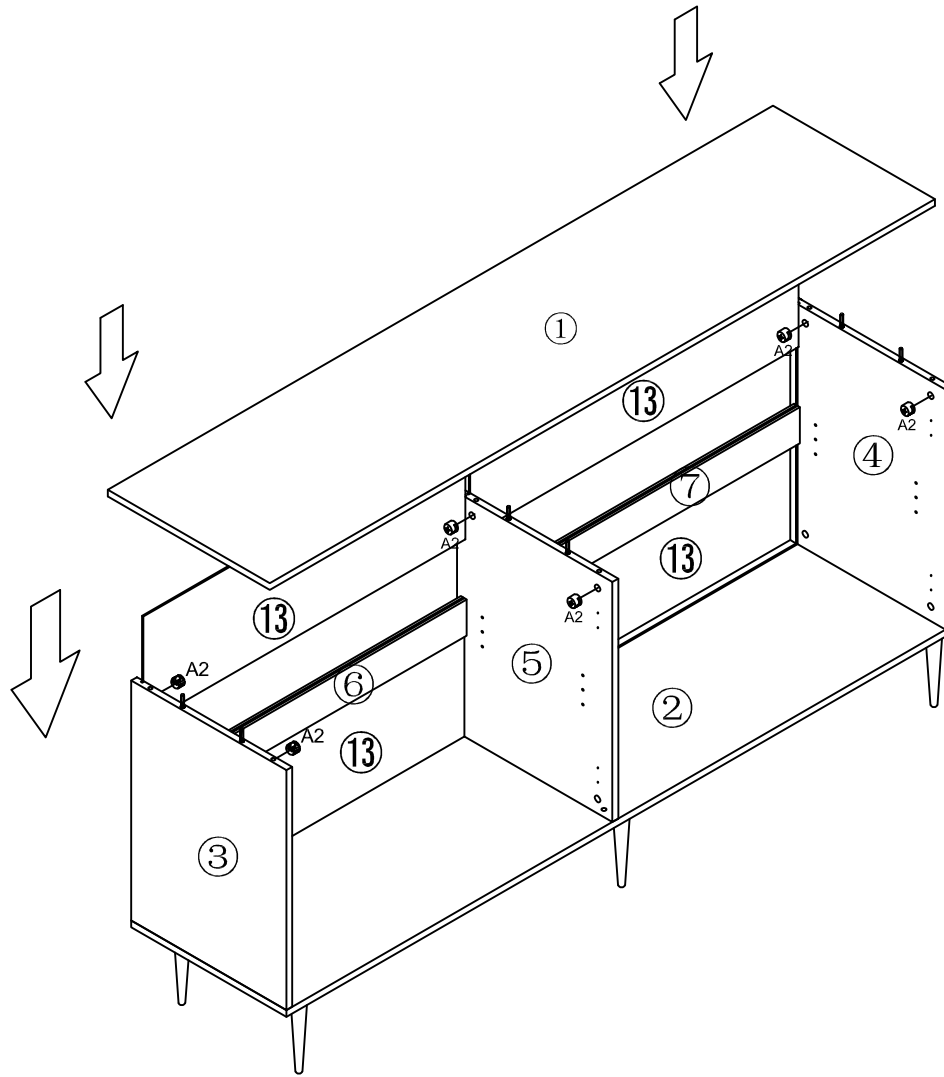


6pcs

5



6



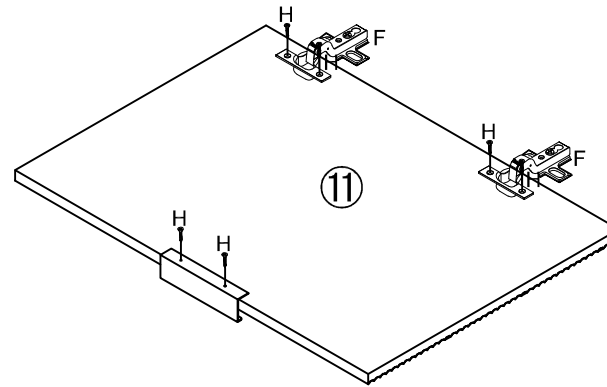
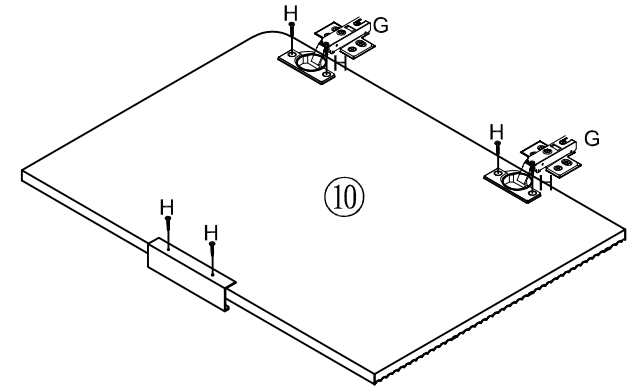
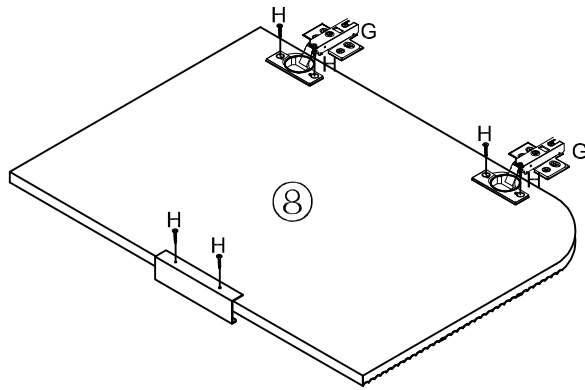
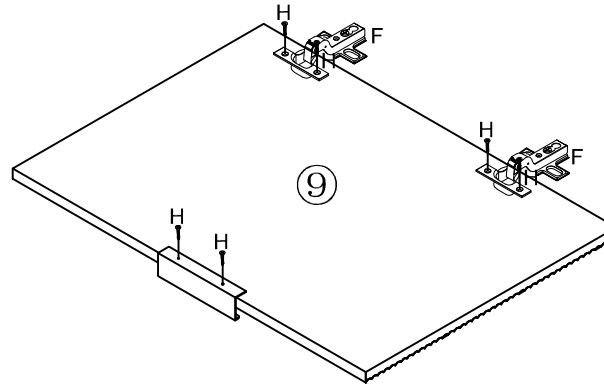
Cooperation of two people is recommended to accomplish this step.

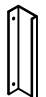
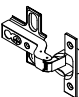
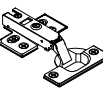

A2

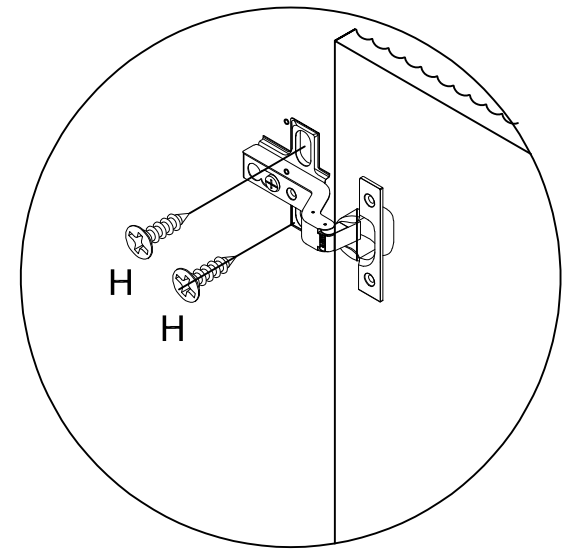
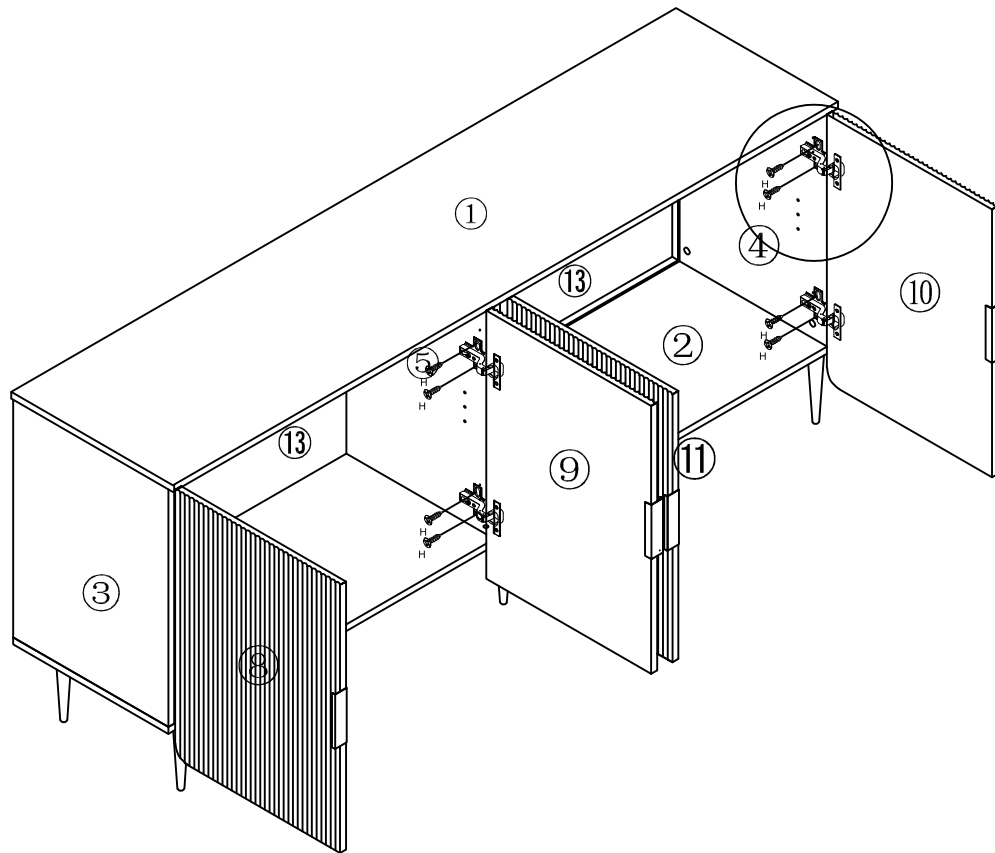


6pcs

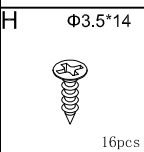
7



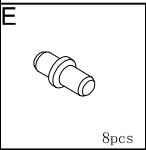
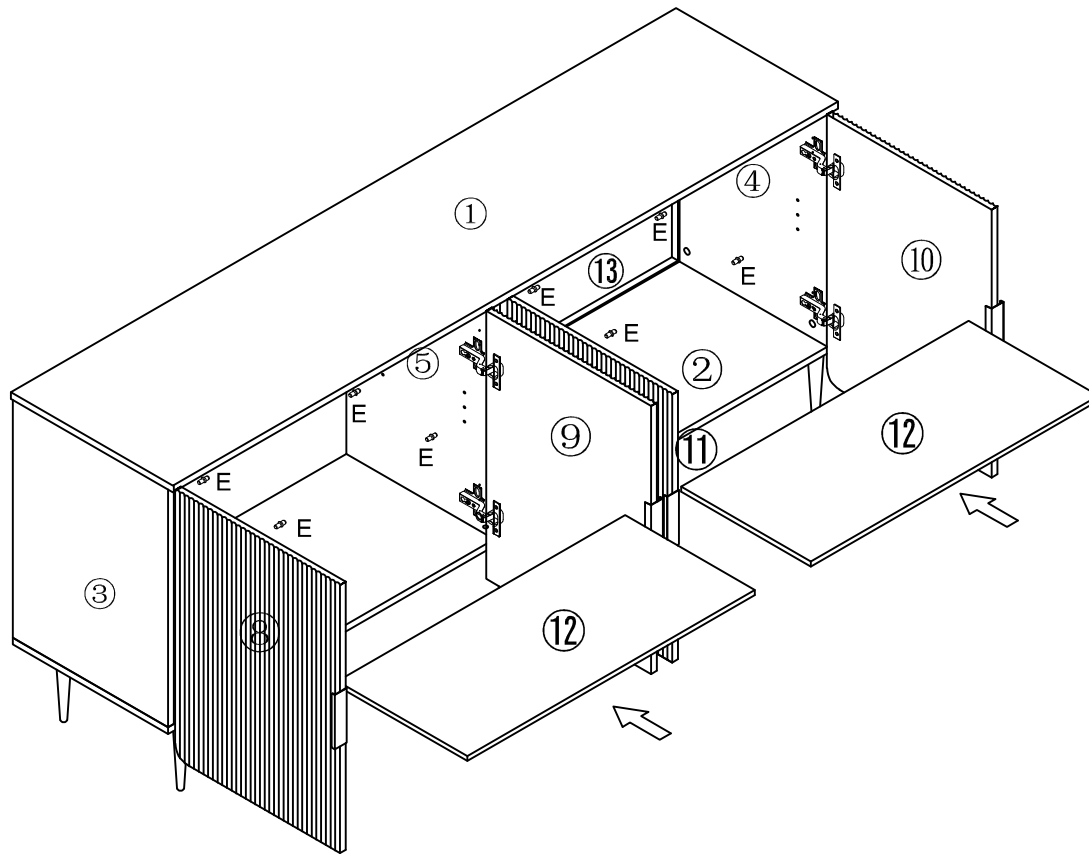
C  4pcs	F  4pcs	G  4pcs	H $\Phi 3.5 \times 14$  24pcs
--	--	--	--



Details



9



10

