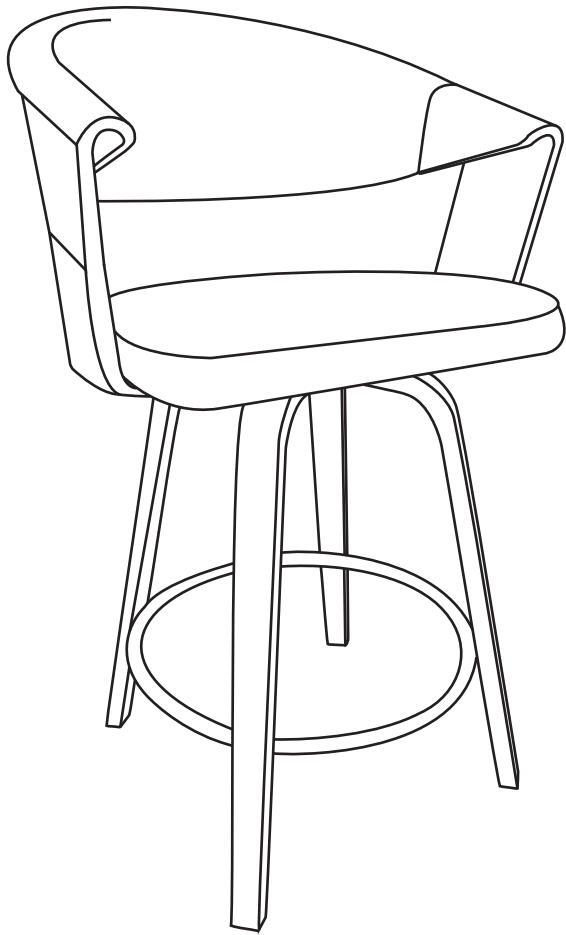


BAR STOOL



THANK YOU !

ZY3272X-M

WARM REMINDER:



No Need to Return!!!

If any problems occur during the assembly, please reach out to us by

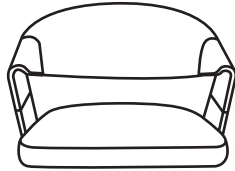


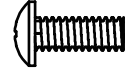
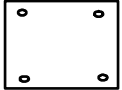



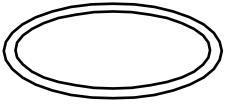

E-mail: ZY-helpcenter@outlook.com

For further more assistance, PO No. and clear pictures of the problems will help us find a faster solution...

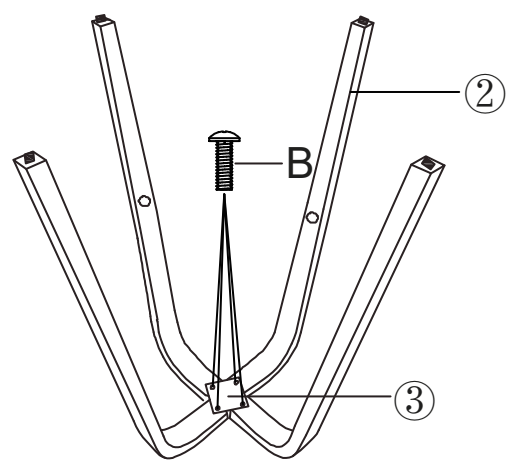
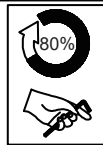
If you are satisfied with your purchase, please rate us!



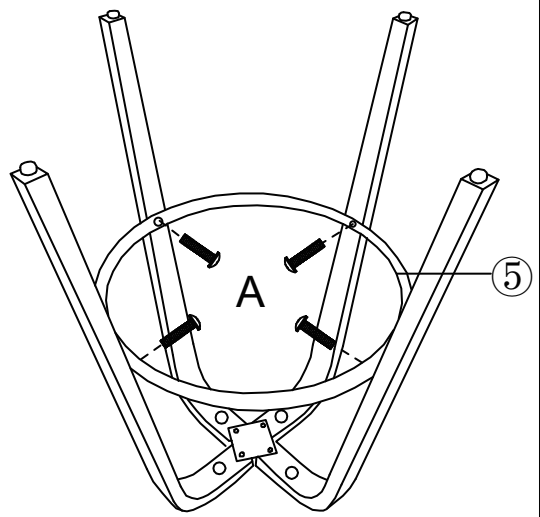
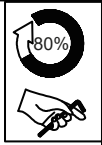
Assembly Instruction

① *1pc		A*4+1EXT	 M6*30MM
② *4pcs		B*10+1EXT	 M6*22MM
③ *1pc		C*2+1EXT	 M6*18MM
④ *1pc		D*2	
⑤ *1pc		G*1	 M6

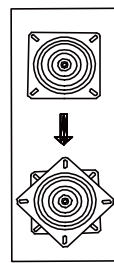
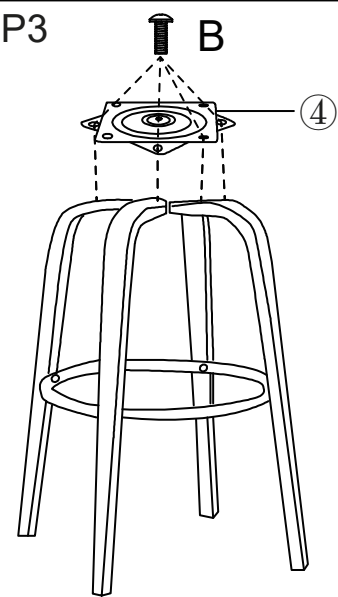
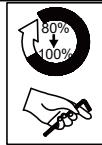
STEP1



STEP2

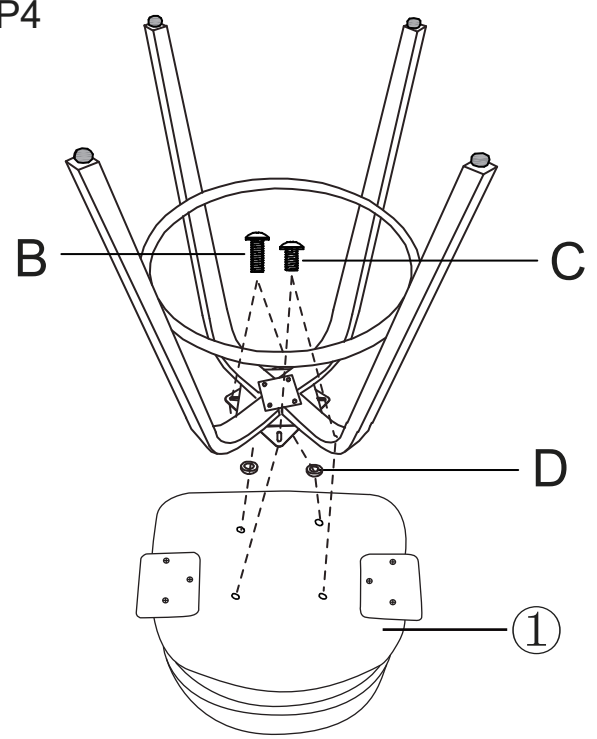
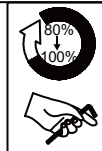


STEP3



Fasten All screws indicate on Step 1& Step2.

STEP4



STEP5

