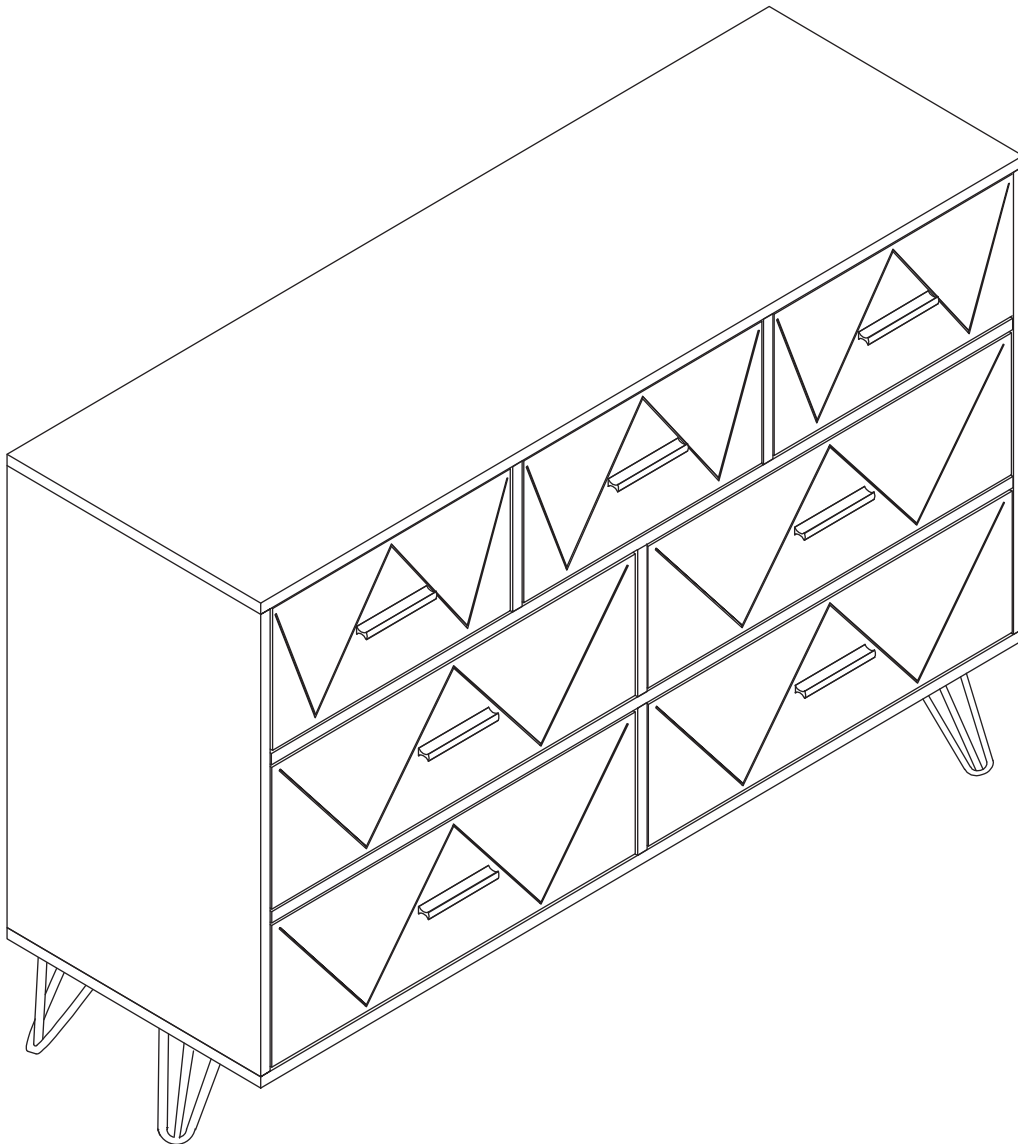


ASSEMBLY INSTRUCTIONS



THIS INSTRUCTIONS CONTAINS IMPORTANT SAFETY INFORMATION.
PLEASE READ BEFORE ASSEMBLY AND KEEP FOR FUTURE REFERENCE.

IMPORTANT NOTICE



- This product contains small components, please ensure that they are kept away from small children.
- THIS INSTRUCTIONS CONTAINS IMPORTANT SAFETY INFORMATION. PLEASE READ BEFORE ASSEMBLY AND KEEP FOR FUTURE REFERENCE.
- Read each step carefully. It is very important that each step of instruction is performed in the correct order. If these steps are not followed in sequence, assembly difficulties will occur.
- Make sure all parts are included. Most parts are labelled or stamped on the raw edge.
- Work in spacious area, preferably on a carpet, near the place the unit will be used.
- Do not use power tools to assemble your furniture. Power tools may strip or damage the parts.
- Move your new furniture carefully, with two people lift and carry the unit to it's new location.
- Never push, drag or pull your furniture (especially on carpet)

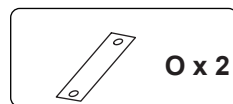
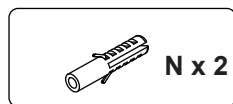
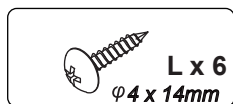
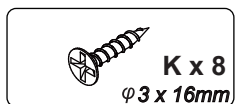
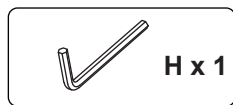
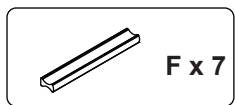
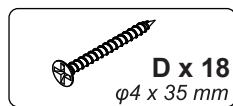
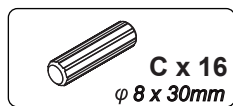
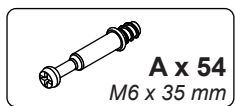
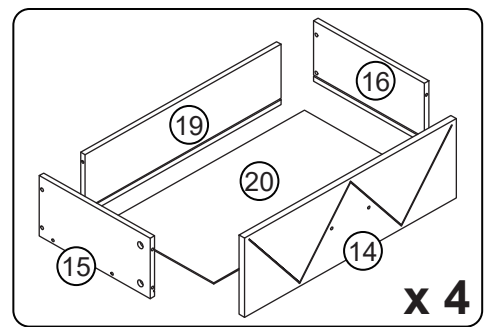
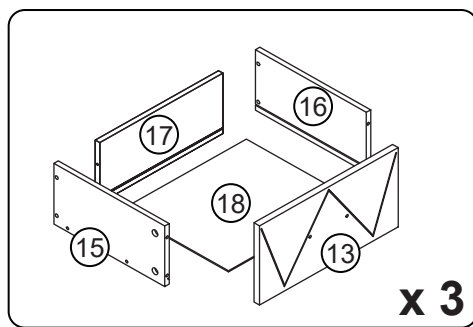
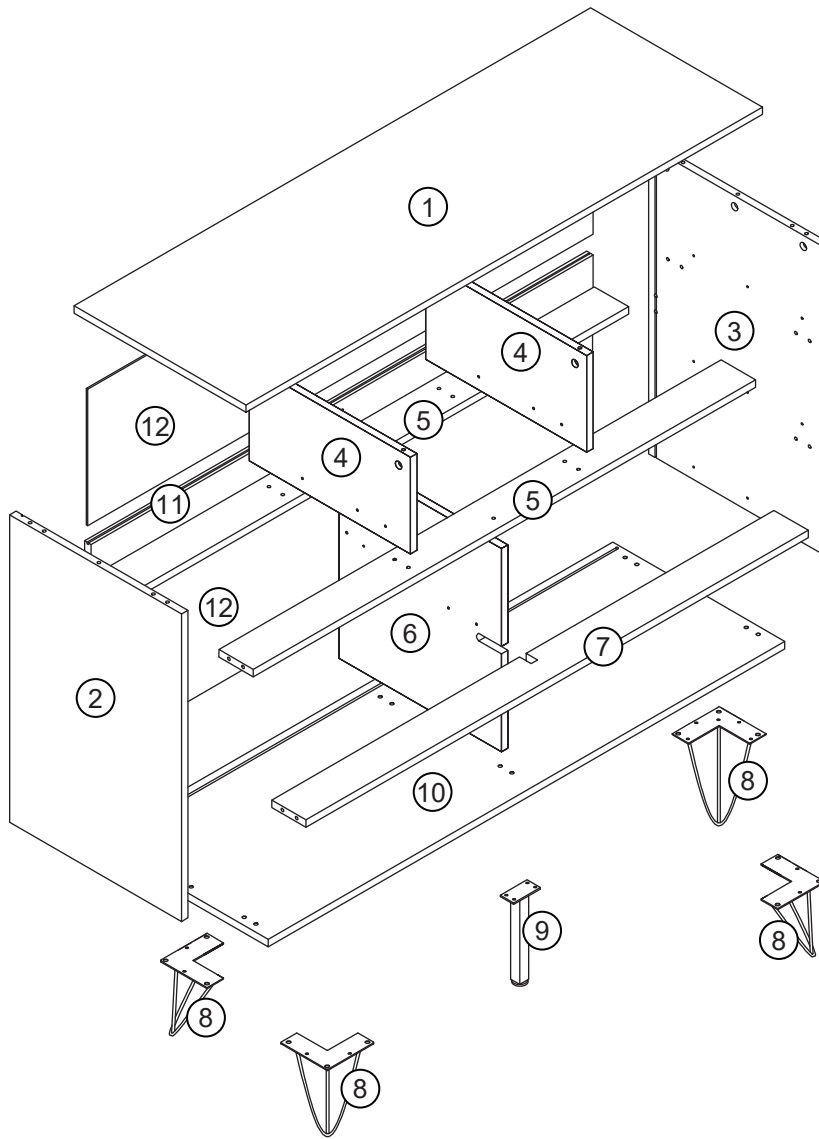


PLEASE DO NOT RETURN PRODUCT TO US IMMEDIATELY

If a part is missing or damaged, email our customer service. We will gladly ship your replacement parts FREE of charge.

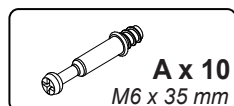
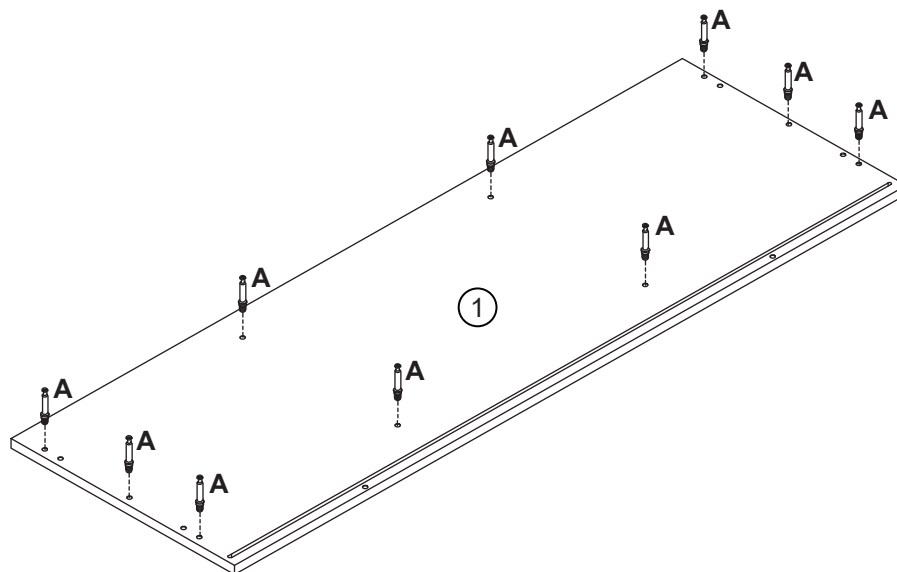
For Prompt, reliable service, please have your assemble instruction ready.

! WARNING	
	Children have died from furniture tipover. To reduce the risk of furniture tipover:
	<ul style="list-style-type: none">• ALWAYS install anti-tip device provided.• NEVER put a TV on this product.• NEVER allow children to stand, climb or hang on any drawers, doors, or shelves.• NEVER open more than one drawer at a time.• Place heaviest items in the lowest drawers.
<p><i>This is a permanent label. Do not remove!</i></p>	



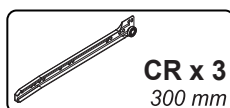
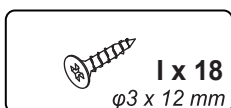
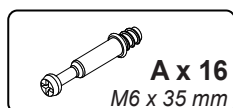
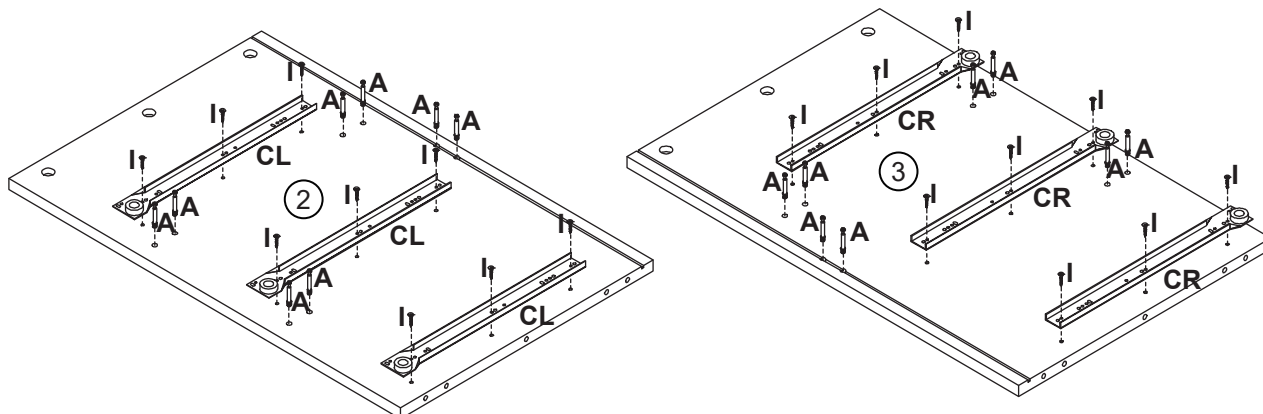
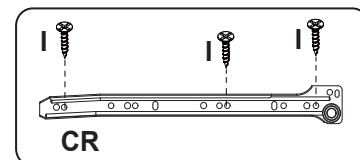
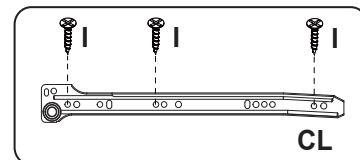
Step 1

Insert quickfit screws(A) into corresponding holes in part 1 as shown.



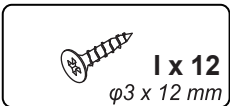
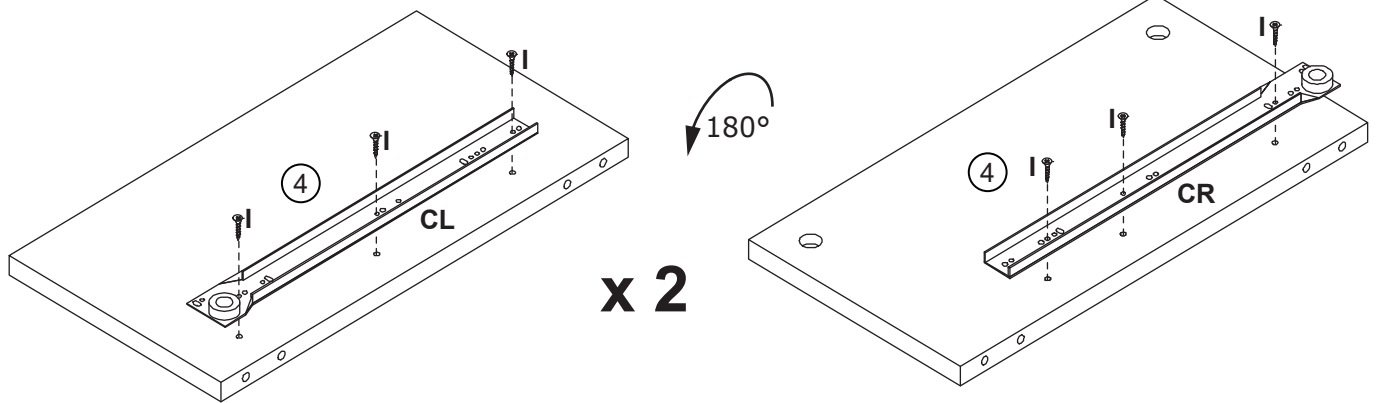
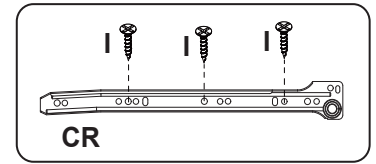
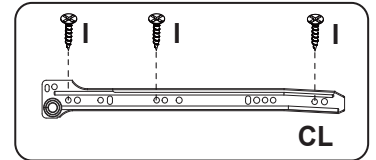
Step 2

Insert screws(A) into part 2 and 3 as shown.
Fix left outer drawer runner (CL) and right outer drawer runner (CR) to parts 2 and 3 using screws (I), as shown.



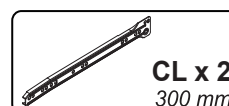
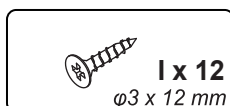
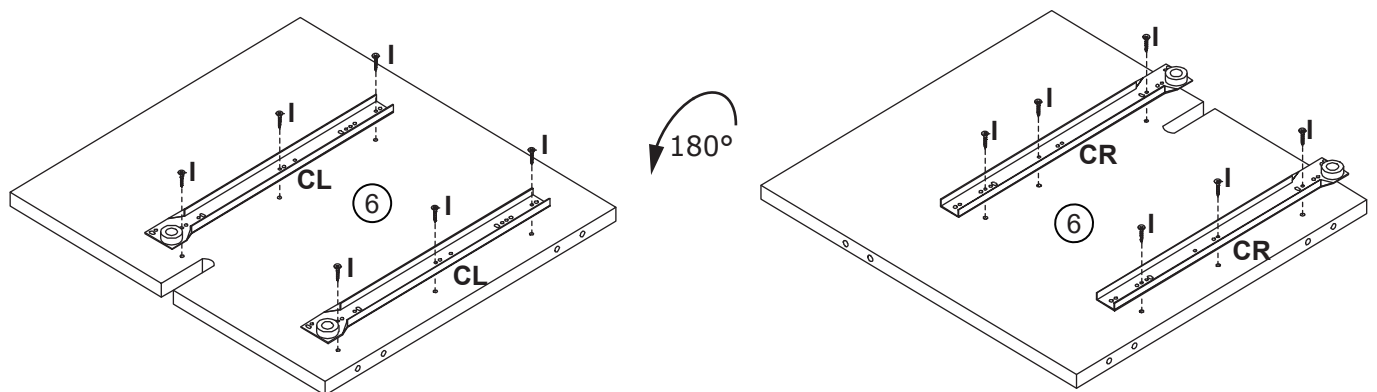
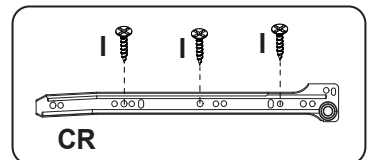
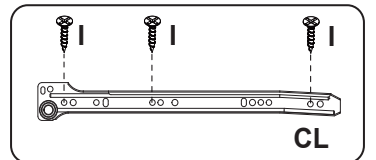
Step 3

Fix right outer drawer runner (CR) to part 4 using screws (I) , then flipping part 4 180degrees horizontally to fix left outer drawer runner (CL).



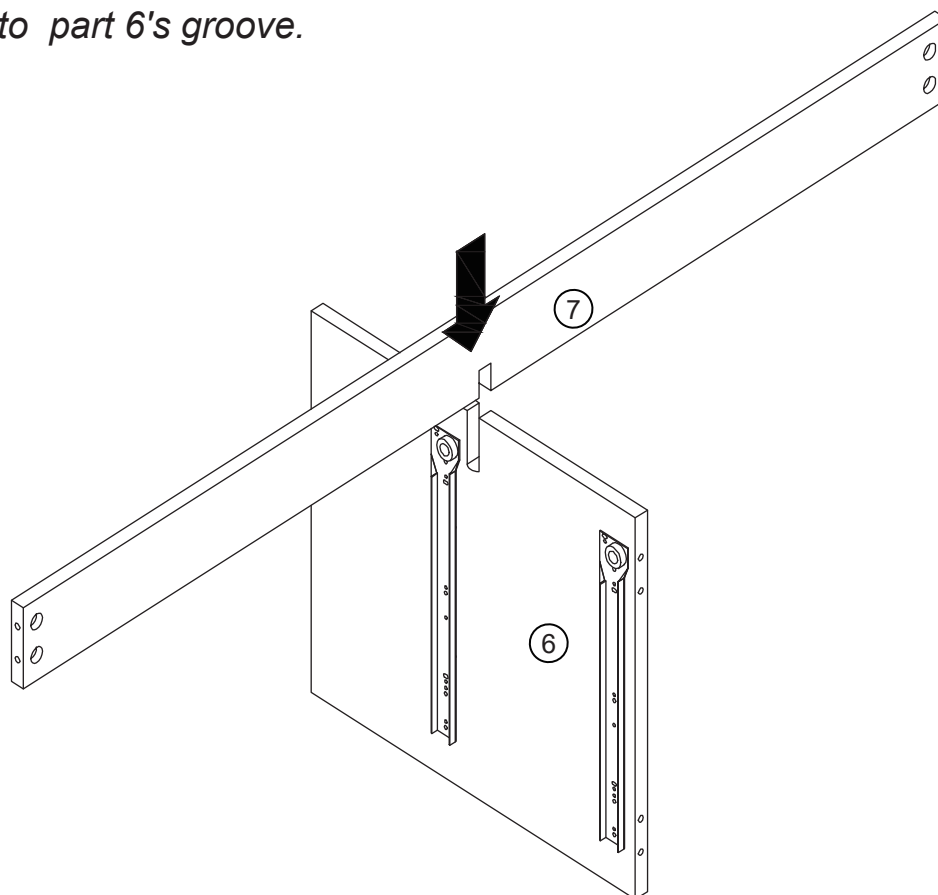
Step 4

Fix right outer drawer runner (CR) to part 6 using screws (I) , then flipping part 6 180degrees horizontally to fix left outer drawer runner (CL).



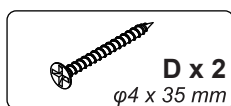
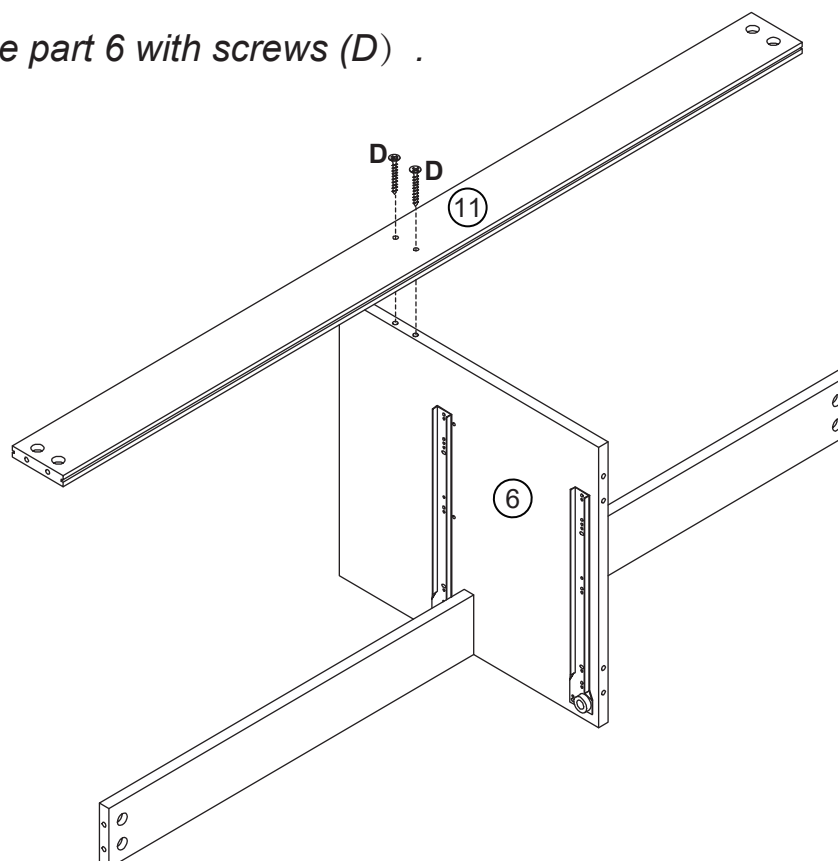
Step 5

Slide part 7 into part 6's groove.



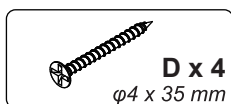
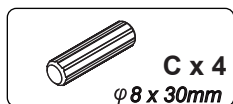
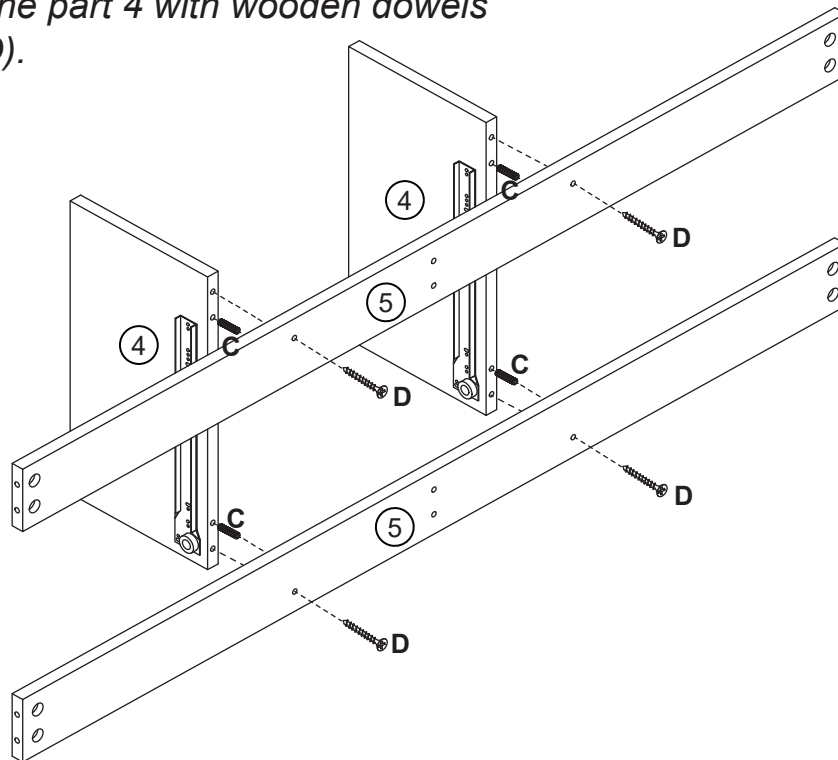
Step 6

Attach parts 11 to the part 6 with screws (D) .



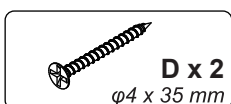
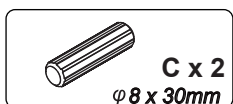
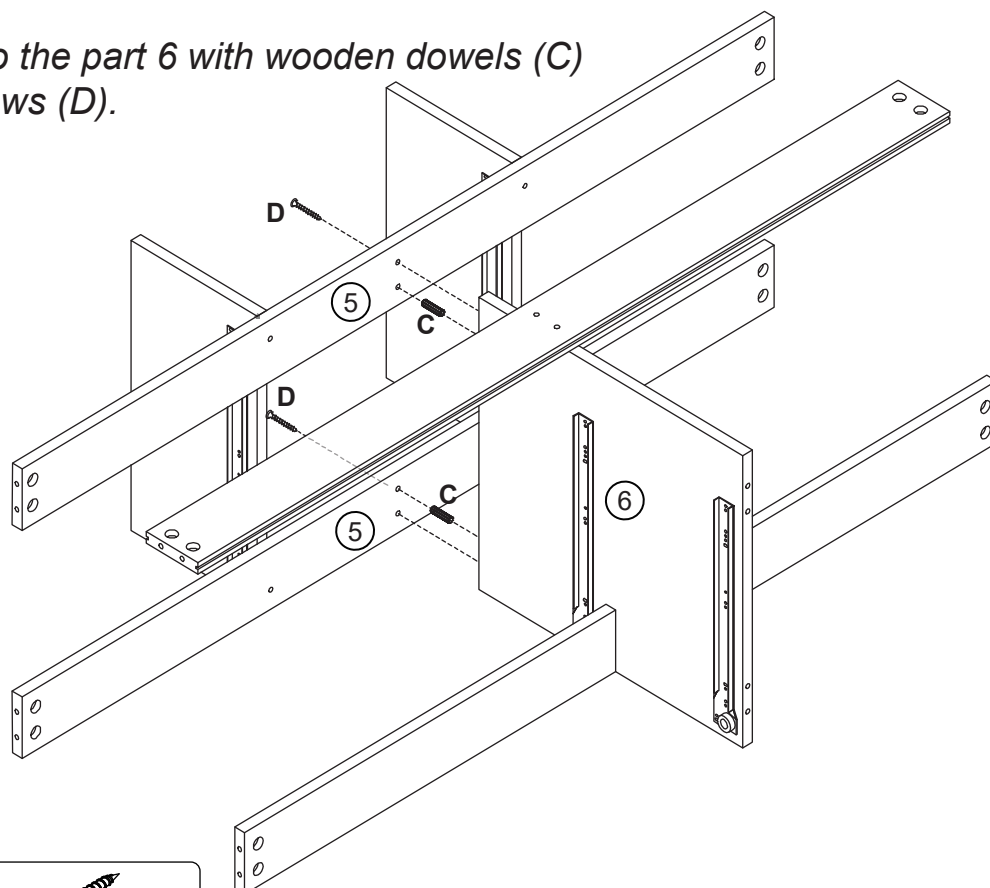
Step 7

Attach parts 5 to the part 4 with wooden dowels (C) and screws (D).



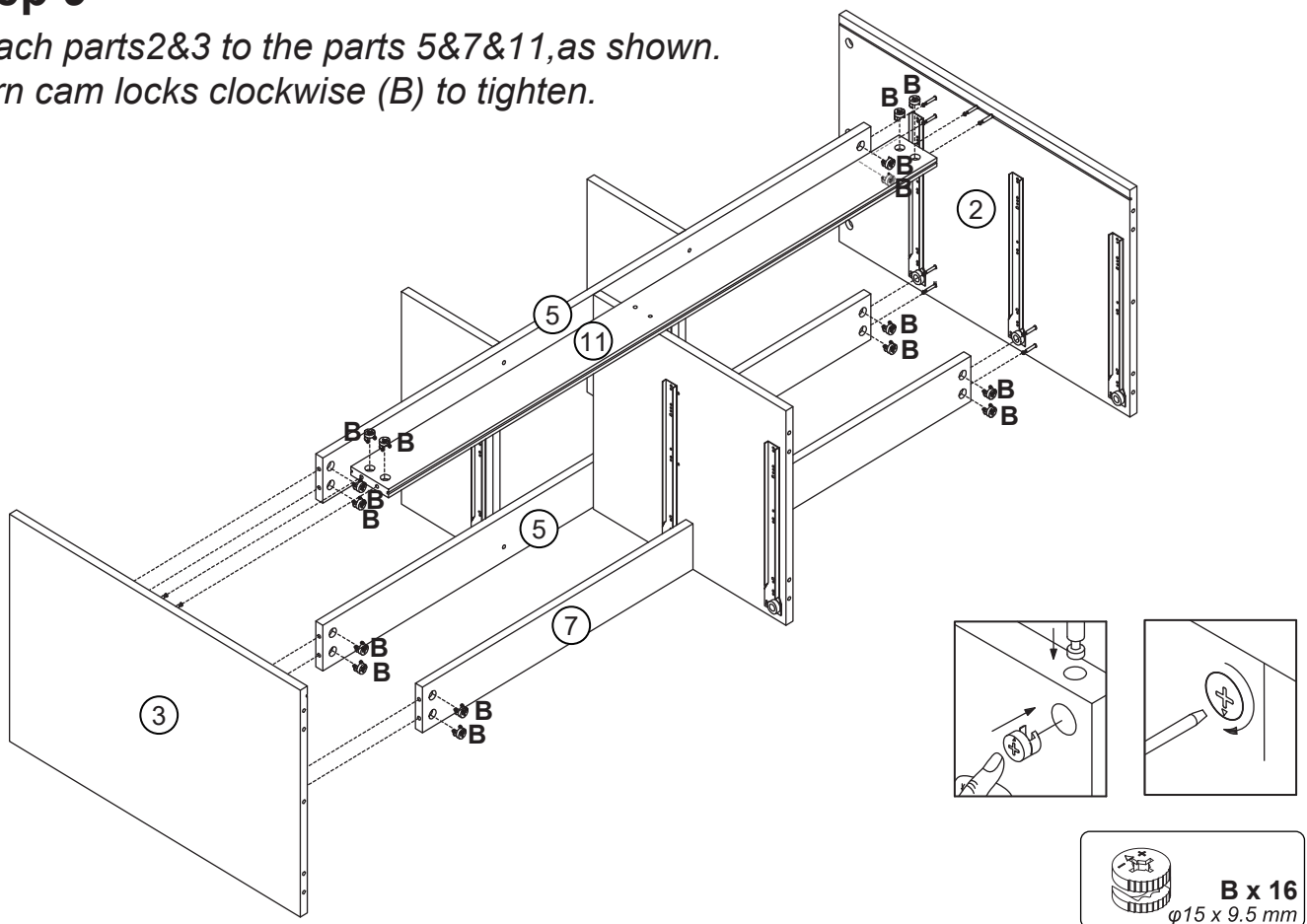
Step 8

Attach parts 5 to the part 6 with wooden dowels (C) and then fix screws (D).



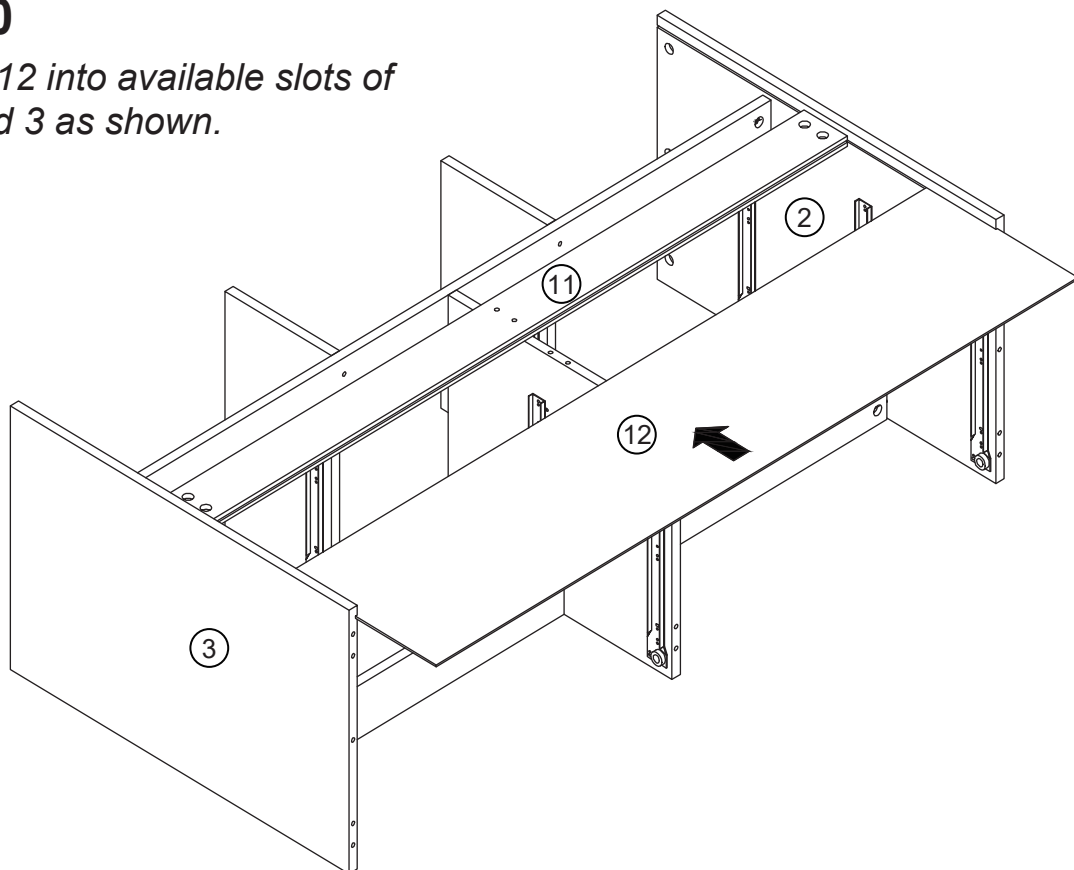
Step 9

Attach parts 2&3 to the parts 5&7&11, as shown.
Turn cam locks clockwise (B) to tighten.



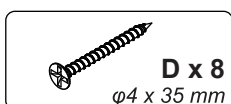
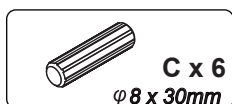
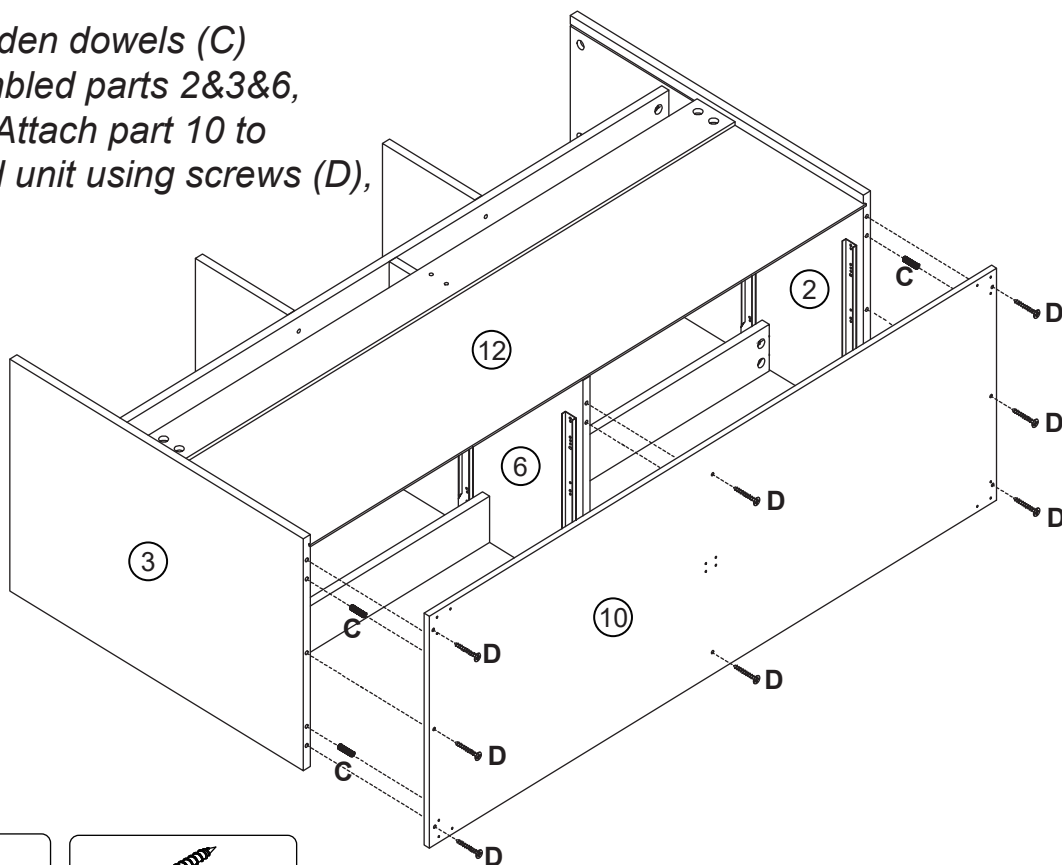
Step 10

Slide part 12 into available slots of
parts 2 and 3 as shown.



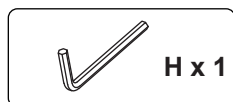
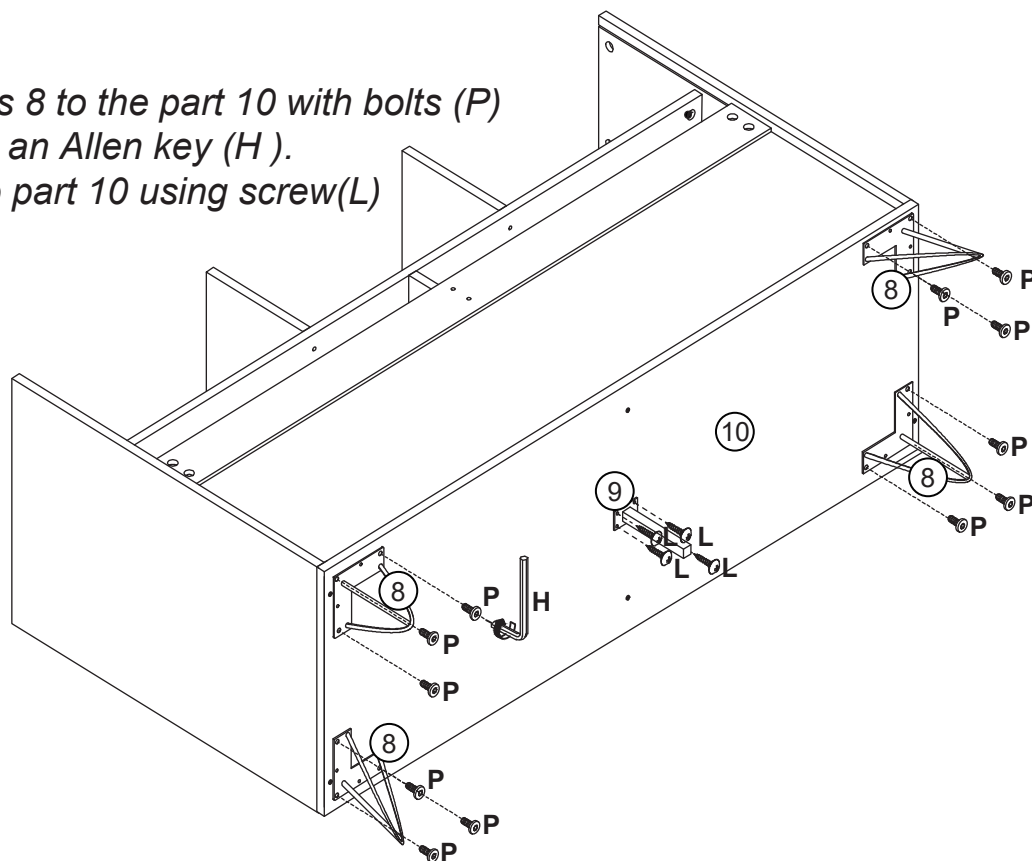
Step 11

Insert wooden dowels (C) into assembled parts 2&3&6, as shown. Attach part 10 to assembled unit using screws (D), as shown.



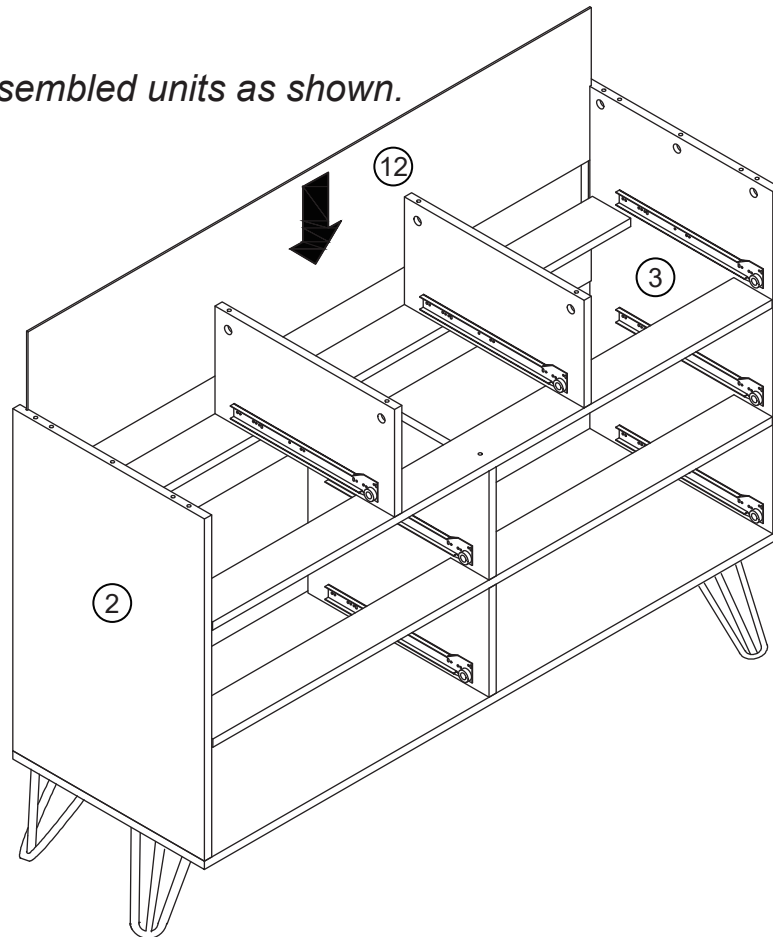
Step 12

Attach legs parts 8 to the part 10 with bolts (P) and tighten with an Allen key (H). Then fix leg 9 to part 10 using screw (L) as shown.



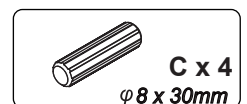
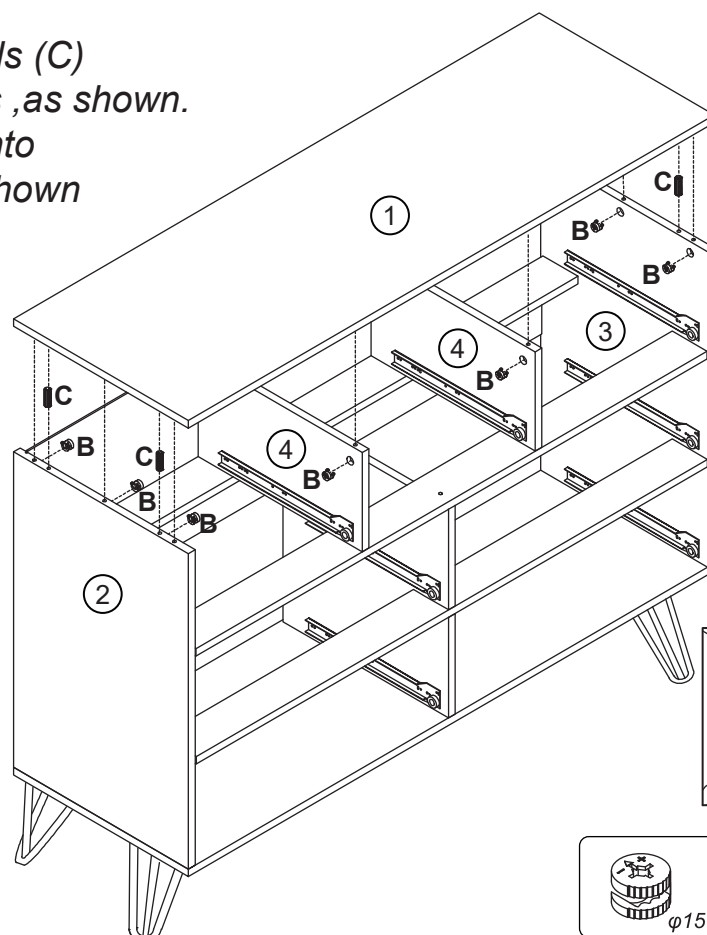
Step 13

Slide part 12 into assembled units as shown.



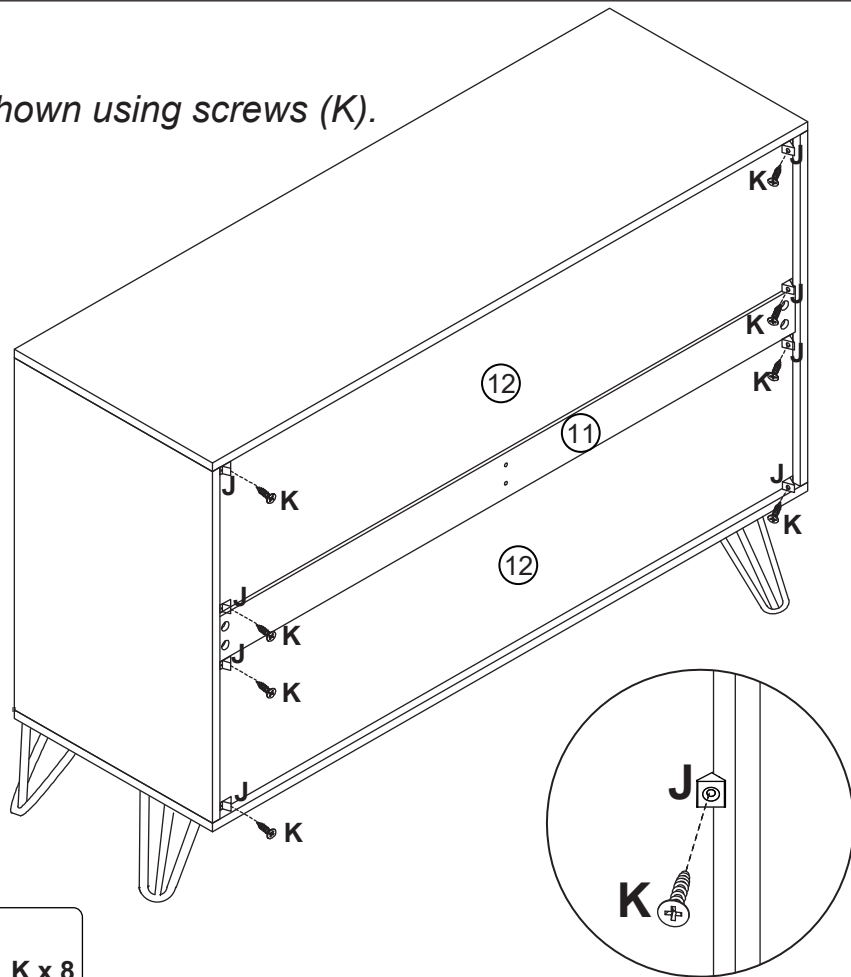
Step 14

Insert wooden dowels (C) into assembled units, as shown. Add cam locks (B) into assembled unit as shown and attach part 1 to assembled unit. Turn cam locks clockwise to tighten.



Step 15

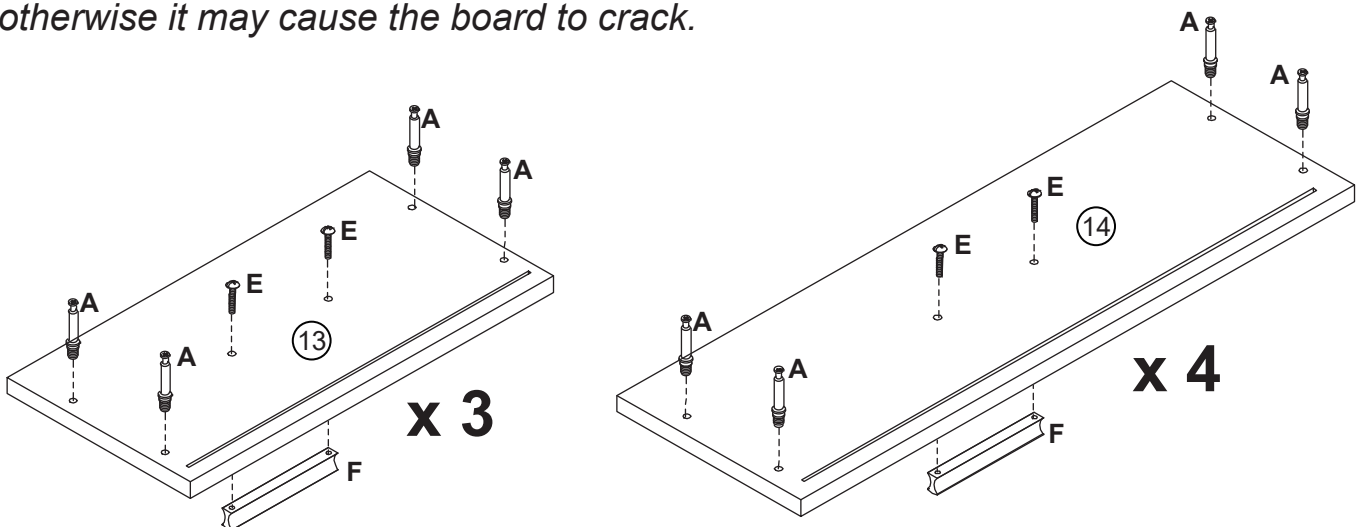
Attach wedges (J) as shown using screws (K).



Step 16

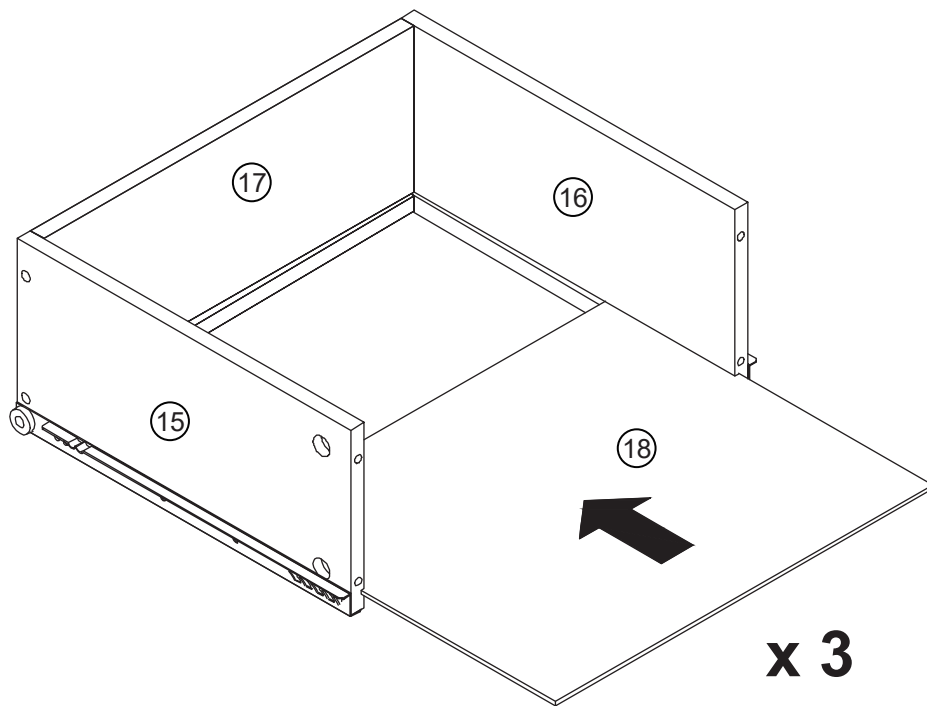
Insert quickfit screws (A) into corresponding holes in parts 13 and 14 as shown.

Fix handle (F) to part 13 and 14 using screws (E), as shown. Do not use an electric screwdriver, do not use force during the rotation of the accessories, otherwise it may cause the board to crack.



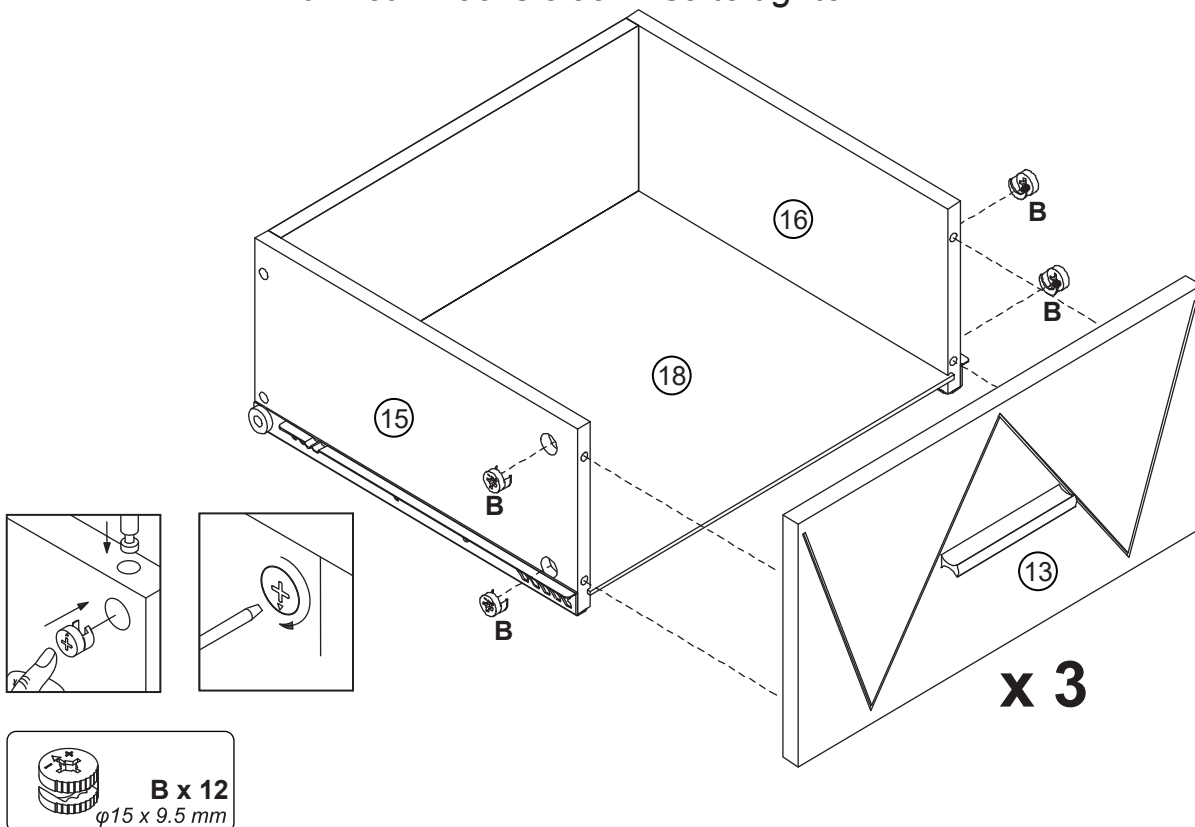
Step 19

Slide part 18 into available slots of parts 15 and 16, as shown.



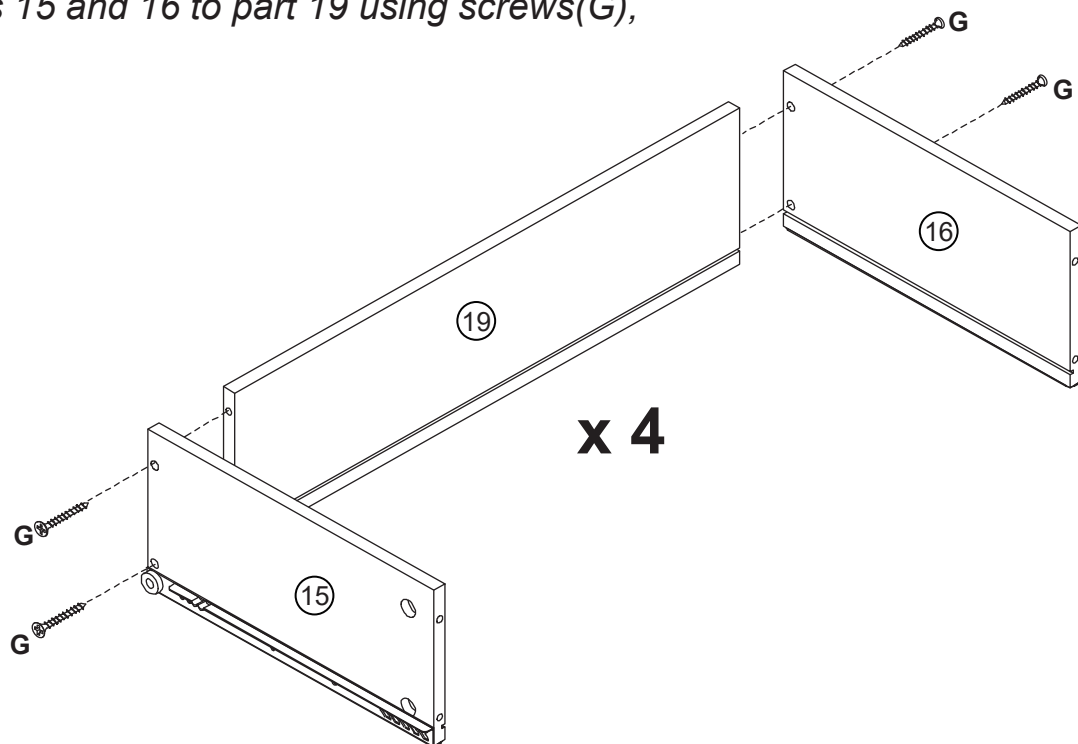
Step 20

Insert cam locks (B) to parts 15 and 16 and attach part 13 as shown.
Turn cam locks clockwise to tighten.



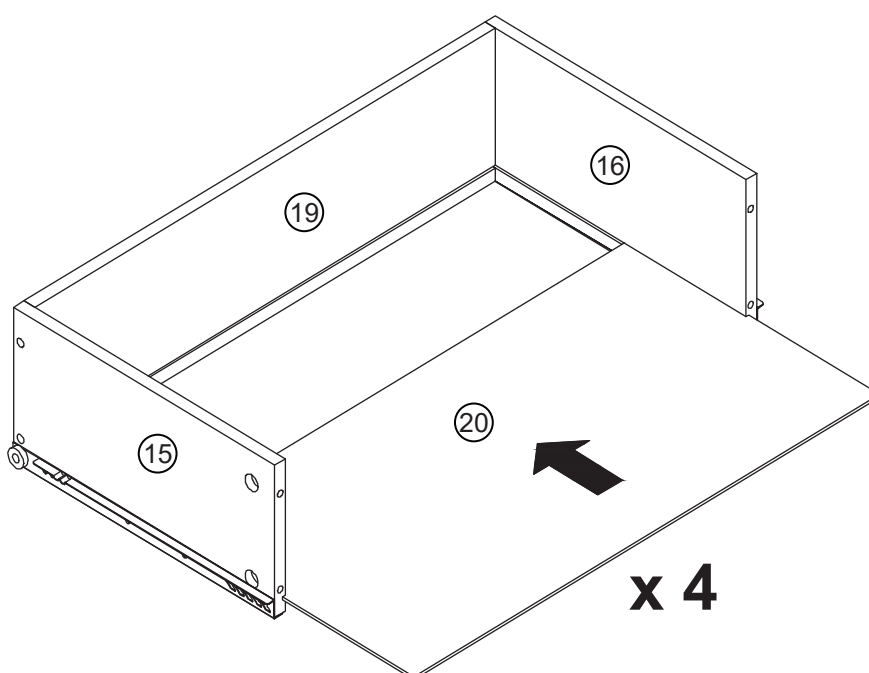
Step 21

Attach parts 15 and 16 to part 19 using screws (G), as shown.



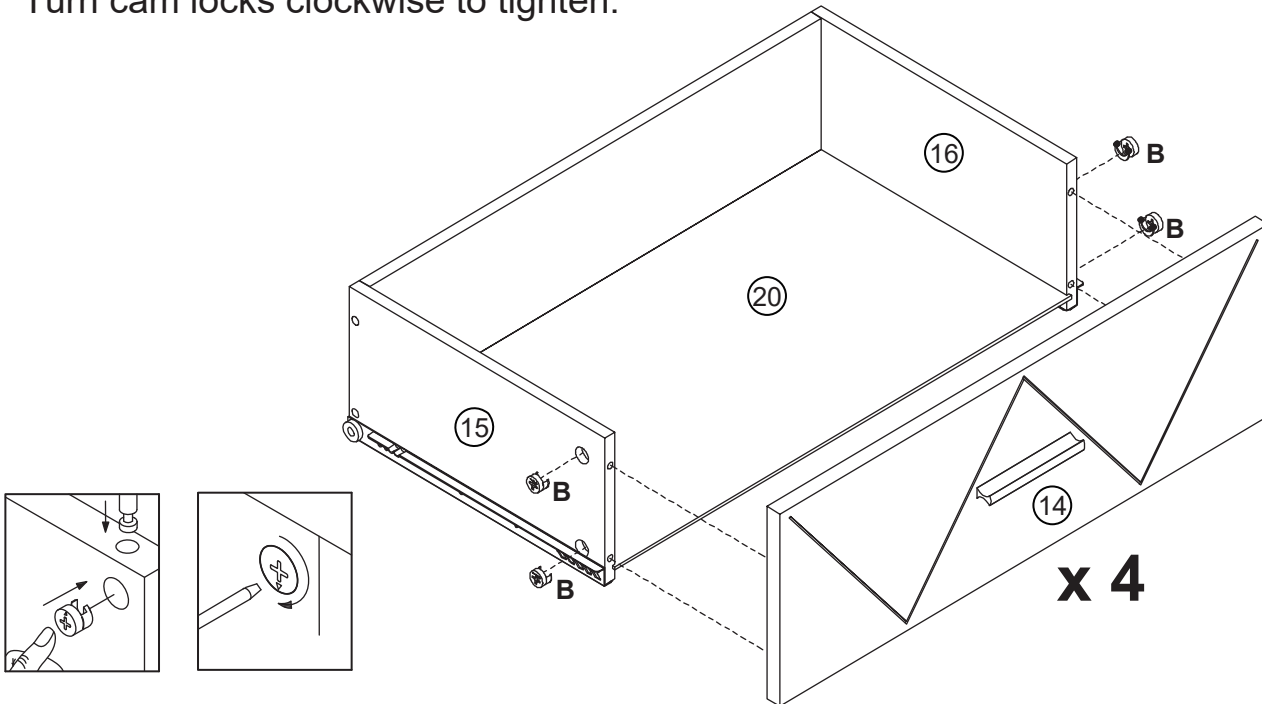
Step 22

Slide part 20 into available slots of parts 15 and 16, as shown.



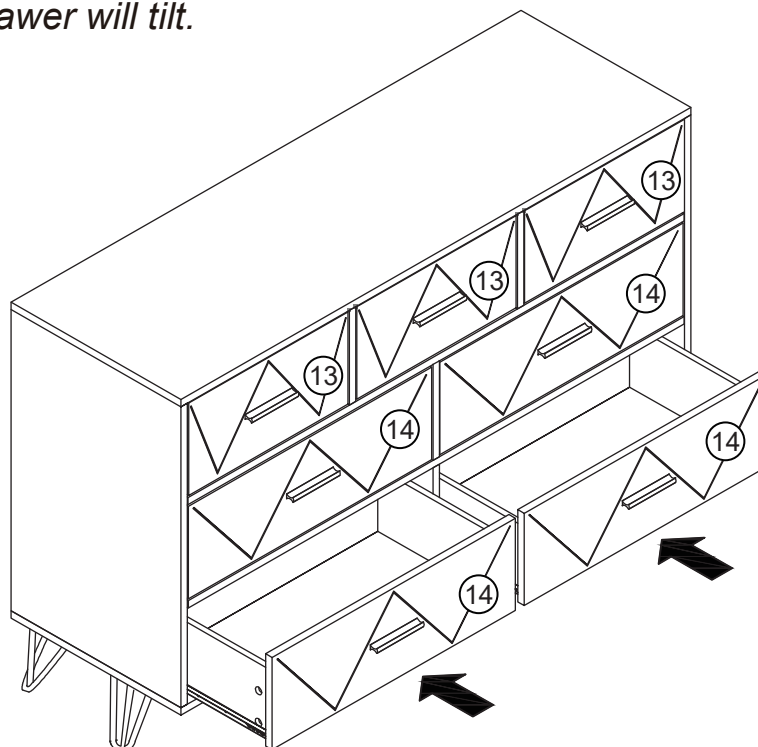
Step 23

Insert cam locks(B) to parts 15 and 16 and attach part 14 as shown.
Turn cam locks clockwise to tighten.



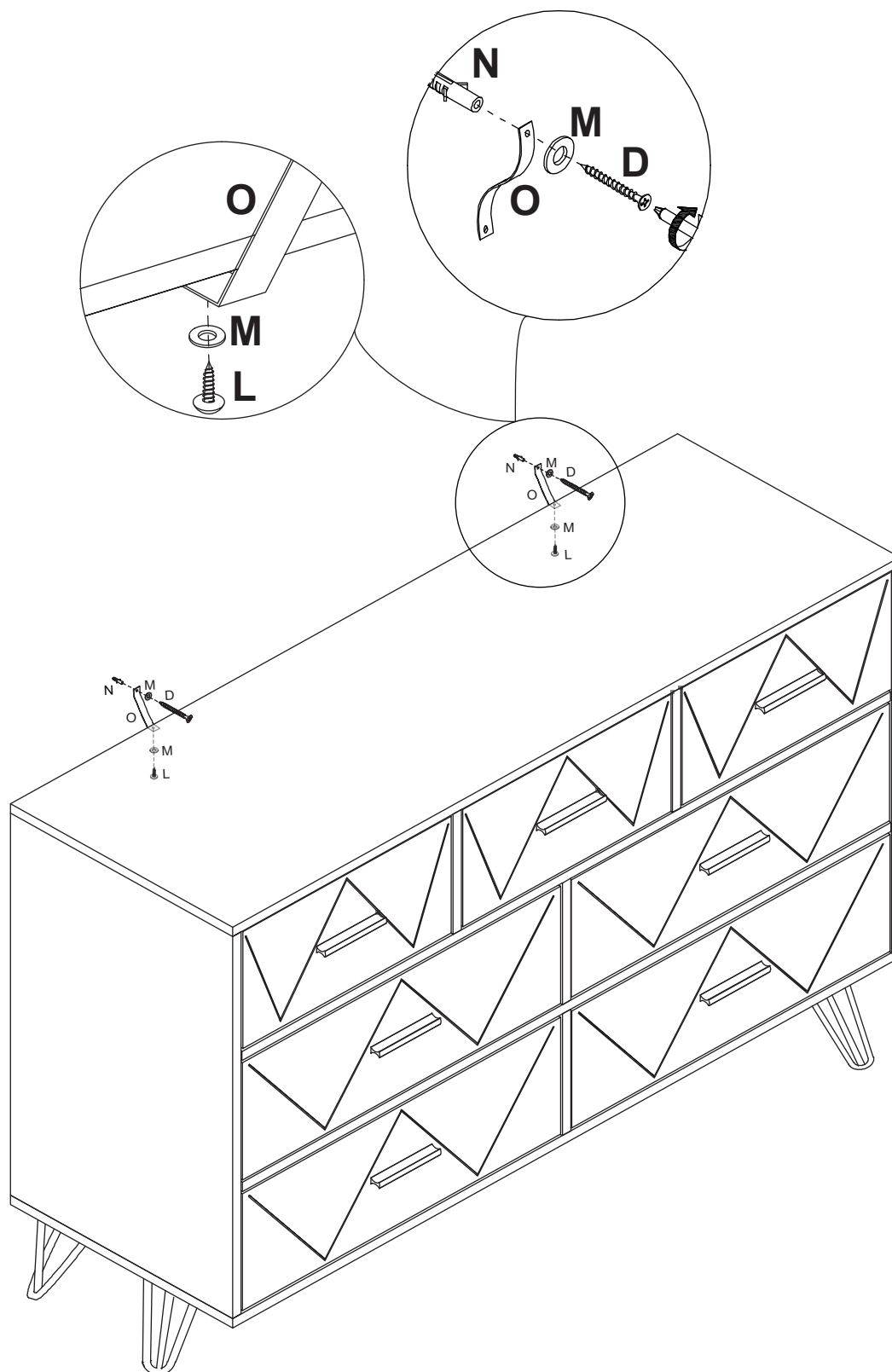
Step 24

The drawer slides must be aligned with the internal rails, otherwise the drawer will tilt.



Step 25

Install anti-tipping device as shown.



D x 2
 $\varnothing 4 \times 35 \text{ mm}$



L x 2
 $\varnothing 4 \times 14 \text{ mm}$



M x 4



N x 2



O x 2