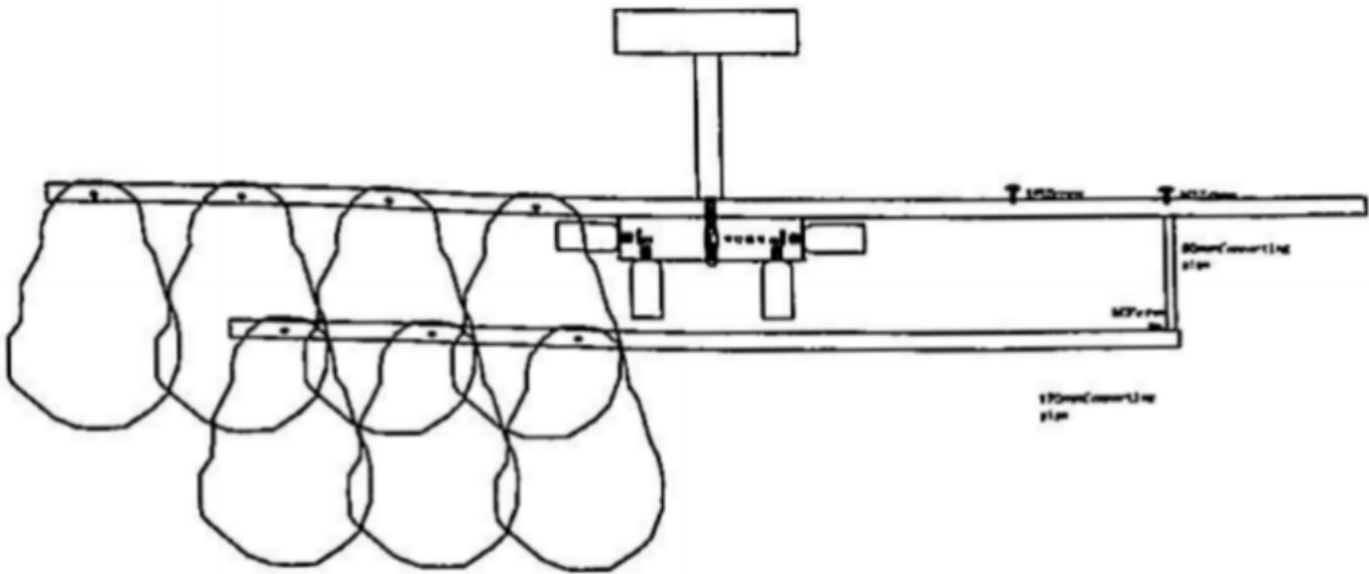
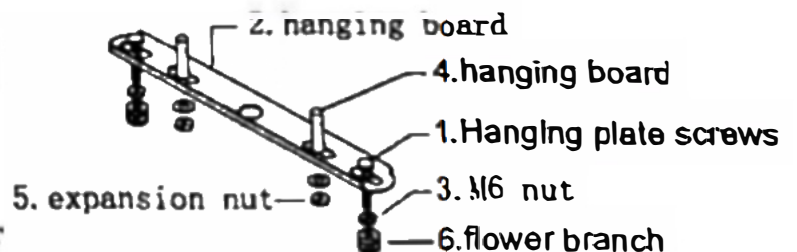
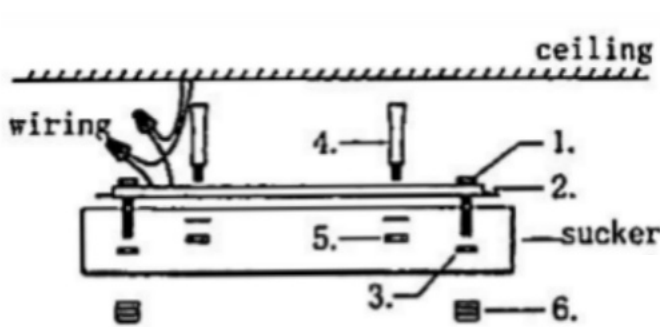


Installation diagram



Installation diagram of hanging plate

Be sure to use 6 inch expansion screws (please use different screws for different ceilings) close to the closest point of the hanging board screws to fasten the hanging board to the ceiling.



The hanging plates used in each series of lamps are different but the assembly is the same

Installation Instructions

1. This lamp is suitable for 110V-120V, 50HZ power supply.
2. Please wear installation gloves when installing.
3. Avoid installing it on the ceiling that is not dry. The environment should be ventilated, dry, and avoid moisture.
4. When cleaning, please use non-corrosive detergent or a soft cloth to wipe. Do not wash with water.
5. Please cut off the main power first when installing, cleaning lamps and replacing bulbs.
6. A professional electrician is required to install according to the sequence of the schematic diagram.
7. Lamps should not be close to acidic, alkaline or corrosive chemical solvents and gases.