

# ASSEMBLY INSTRUCTION



LEFT SIDE 2-SEATER WITH PULL-OUT BED AND USB PORTS, 2 ARMS WITH SHELVES  
RIGHT SIDE CHAISE WITH HIDDEN STORAGE, 2-SEATER'S BACKS AND 2 PILLOWS

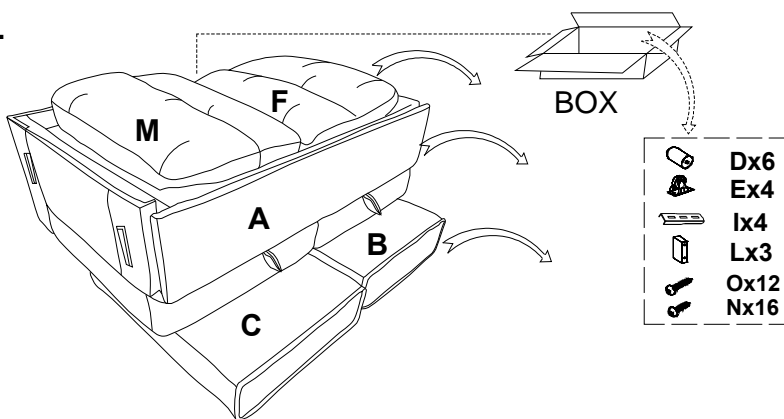


Legs and hardware are stored in the box, please take out for assembly.

NOTE: Do not use power tools for assembly. Power tools increase the risk of over tightening which lead to splitting or cracking the wood.

Location of KD parts

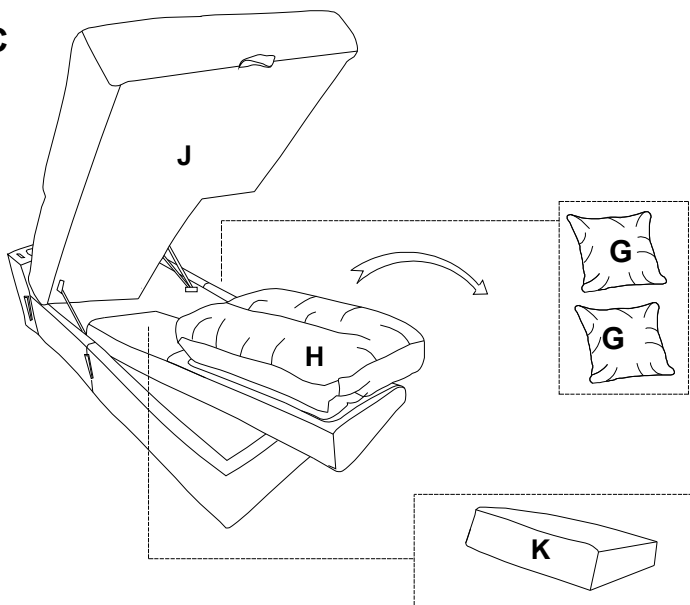
2L



## 2-SEATER (2L) PART LIST

| No. | Description                   | Diagram | Quantity |
|-----|-------------------------------|---------|----------|
| A   | POP-UP SLEEPER SEAT           |         | 1        |
| B   | RSF ARM (Arm for RC)          |         | 1        |
| C   | LSF ARM                       |         | 1        |
| D   | ROUND PLASTIC LEG 50x50x50mm  |         | 4        |
| E   | CASTOR                        |         | 4        |
| F   | BACK CUSHION LSF              |         | 1        |
| G   | PILLOW 18"x18" (Packed in RC) |         | 1        |
| H   | BACK REST (Packed in RC)      |         | 1        |
| I   | MALE BRACKET                  |         | 2        |

RC

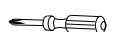


## CHAISE (RC) PART LIST

| No. | Description                                 | Diagram | Quantity |
|-----|---|---------|----------|
| J   | CHAISE SEAT                                 |         | 1        |
| K   | BACK REST                                   |         | 1        |
| L   | PLASTIC LEG 150x50x50mm (packed in 2L)      |         | 3        |
| M   | BACK CUSHION RSF (packed in 2L)             |         | 1        |
| I   | MALE BRACKET (packed in 2L)                 |         | 2        |
| G   | PILLOW 18"x18"                              |         | 1        |
| D   | ROUND PLASTIC LEG 50x50x50mm (packed in 2L) |         | 2        |

## HARDWARE LIST :

| No. | Description | Diagram | Quantity |
|-----|-------------|---------|----------|
| O   | SCREW       | Ø8x45MM | 12       |
| N   | SCREW       | Ø8x25MM | 16       |



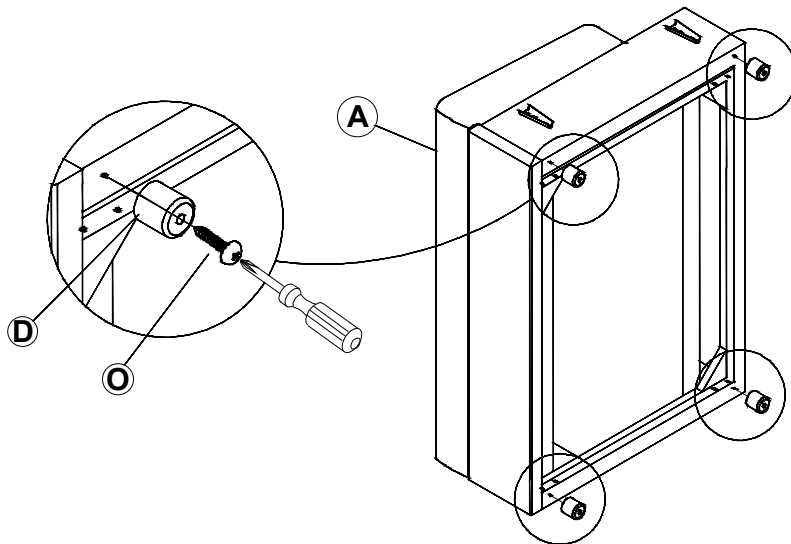
Not Included

# ASSEMBLY INSTRUCTION

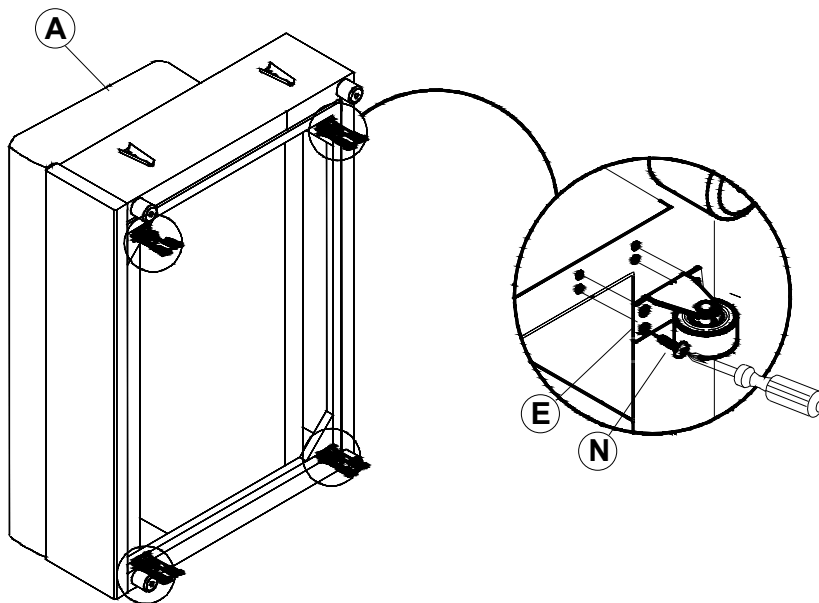


LEFT SIDE 2-SEATER WITH PULL-OUT BED AND USB PORTS, 2 ARMS WITH SHELVES  
RIGHT SIDE CHAISE WITH HIDDEN STORAGE, 2-SEATER'S BACKS AND 2 PILLOWS

## Step 1



## Step 2

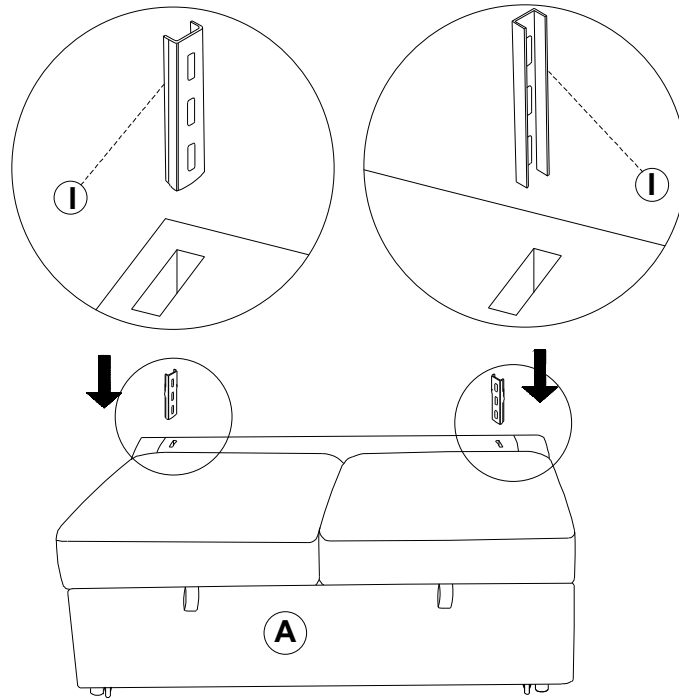


# ASSEMBLY INSTRUCTION

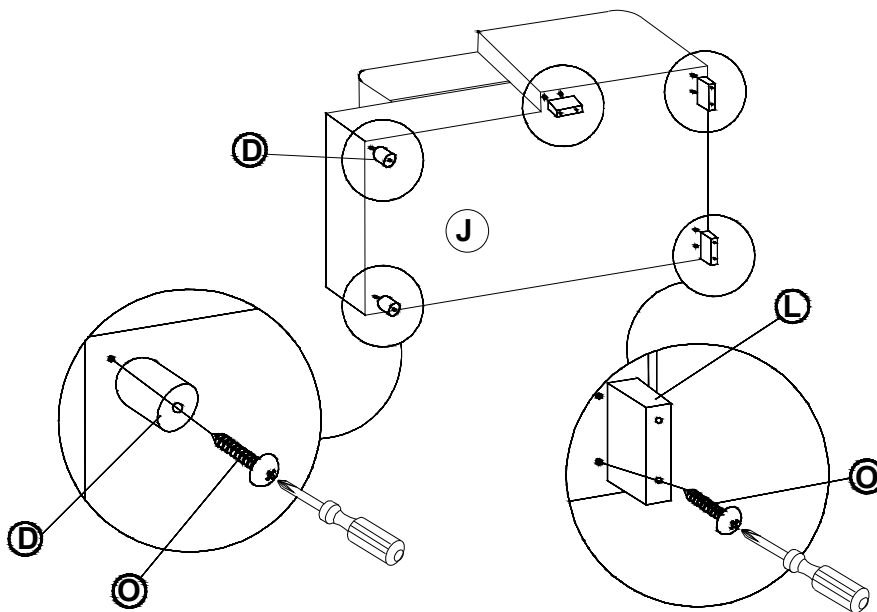


LEFT SIDE 2-SEATER WITH PULL-OUT BED AND USB PORTS, 2 ARMS WITH SHELVES  
RIGHT SIDE CHAISE WITH HIDDEN STORAGE, 2-SEATER'S BACKS AND 2 PILLOWS

## Step 3



## Step 4

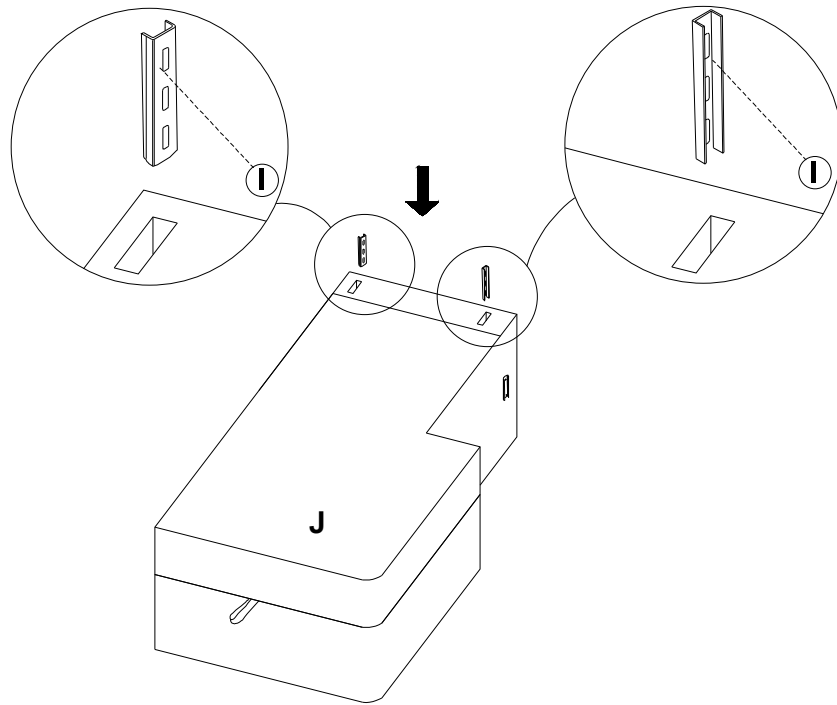




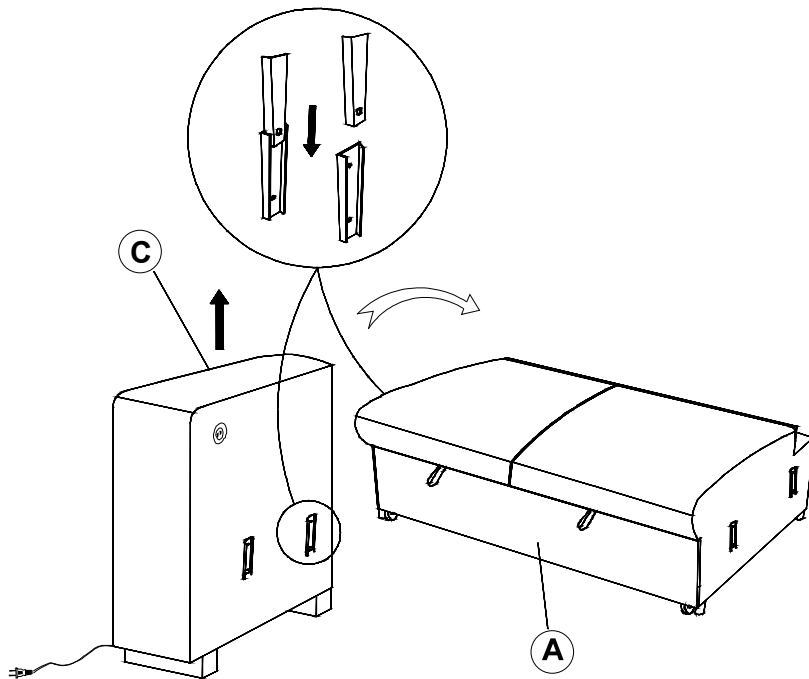
# ASSEMBLY INSTRUCTION

LEFT SIDE 2-SEATER WITH PULL-OUT BED AND USB PORTS, 2 ARMS WITH SHELVES  
RIGHT SIDE CHAISE WITH HIDDEN STORAGE, 2-SEATER'S BACKS AND 2 PILLOWS

## Step 5



## Step 6

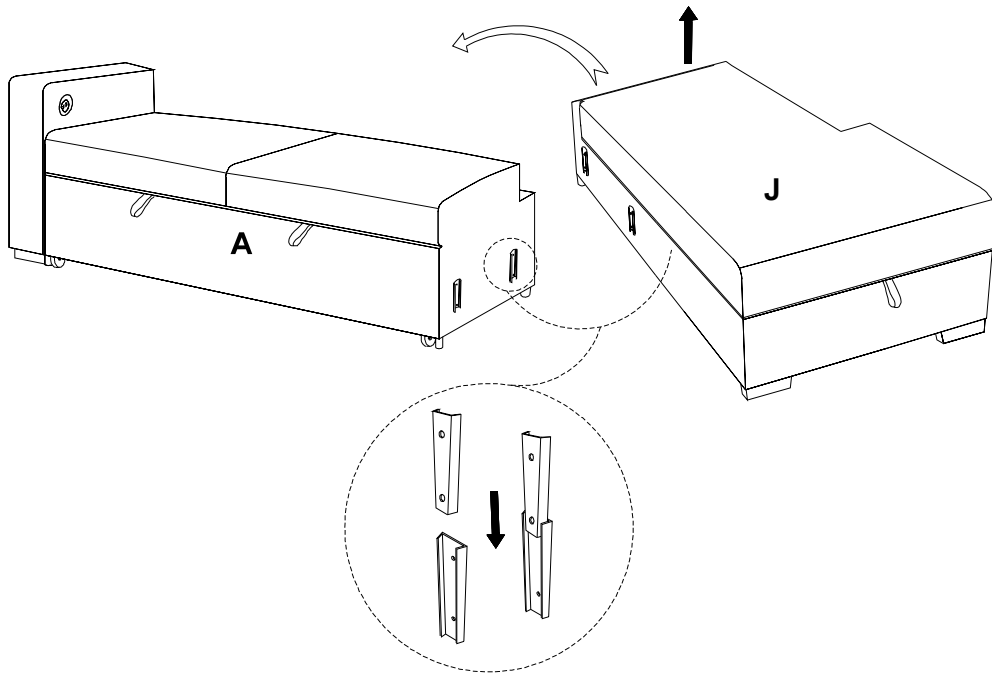


# ASSEMBLY INSTRUCTION

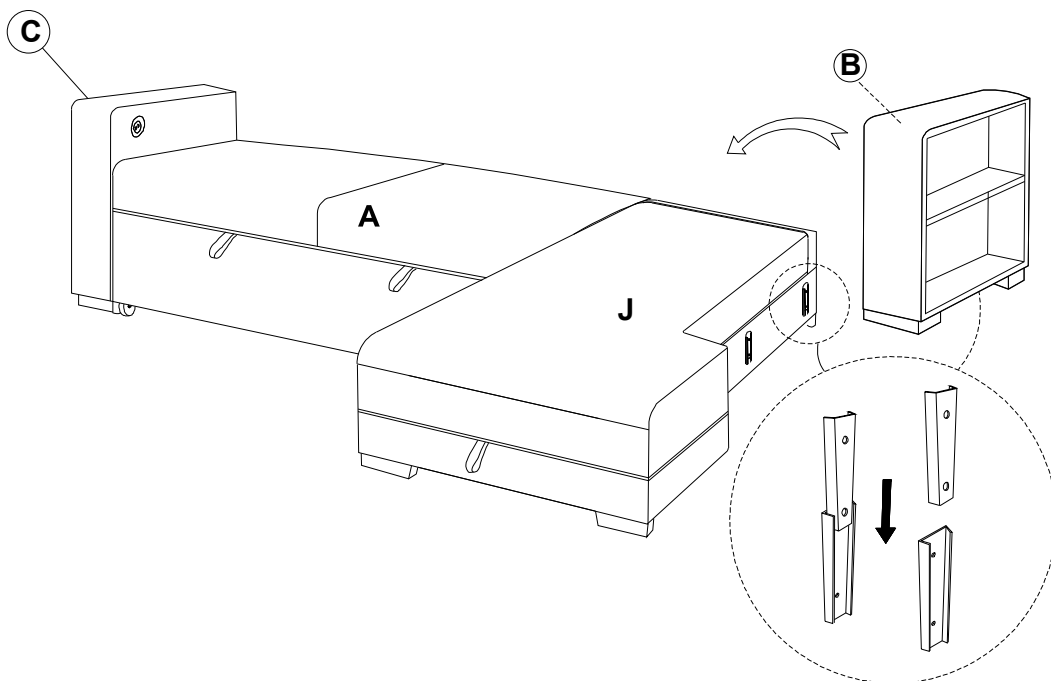


LEFT SIDE 2-SEATER WITH PULL-OUT BED AND USB PORTS, 2 ARMS WITH SHELVES  
RIGHT SIDE CHAISE WITH HIDDEN STORAGER, 2-SEATER'S BACKS AND 2 PILLOWS

## Step 7



## Step 8

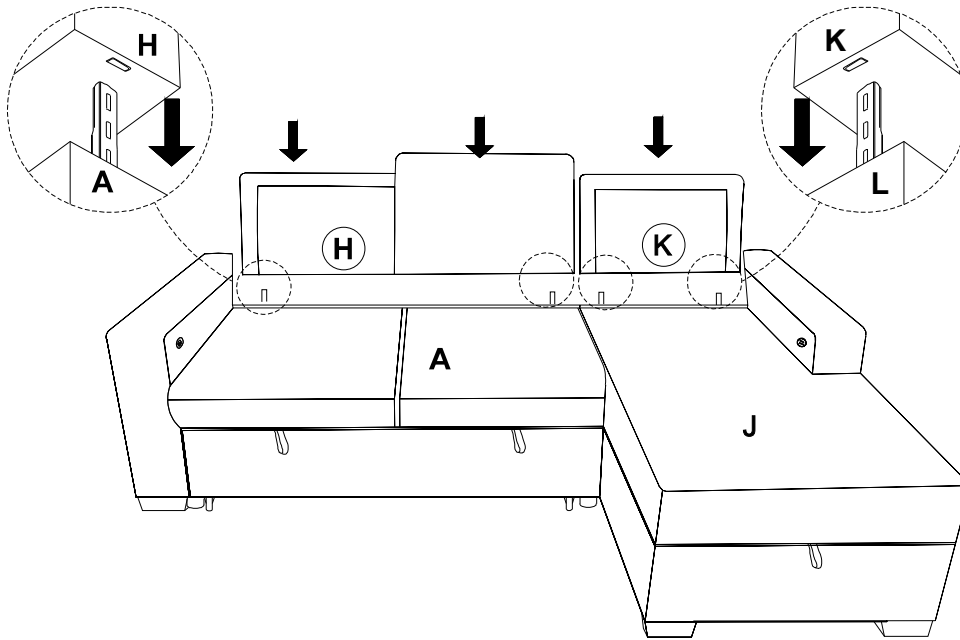


# ASSEMBLY INSTRUCTION

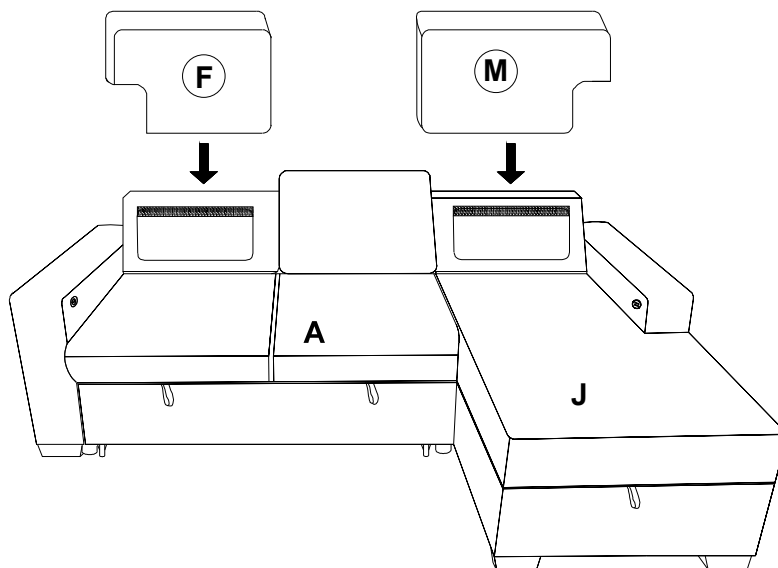


LEFT SIDE 2-SEATER WITH PULL-OUT BED AND USB PORTS, 2 ARMS WITH SHELVES  
RIGHT SIDE CHAISE WITH HIDDEN STORAGER, 2-SEATER'S BACKS AND 2 PILLOWS

## Step 9



## Step 10

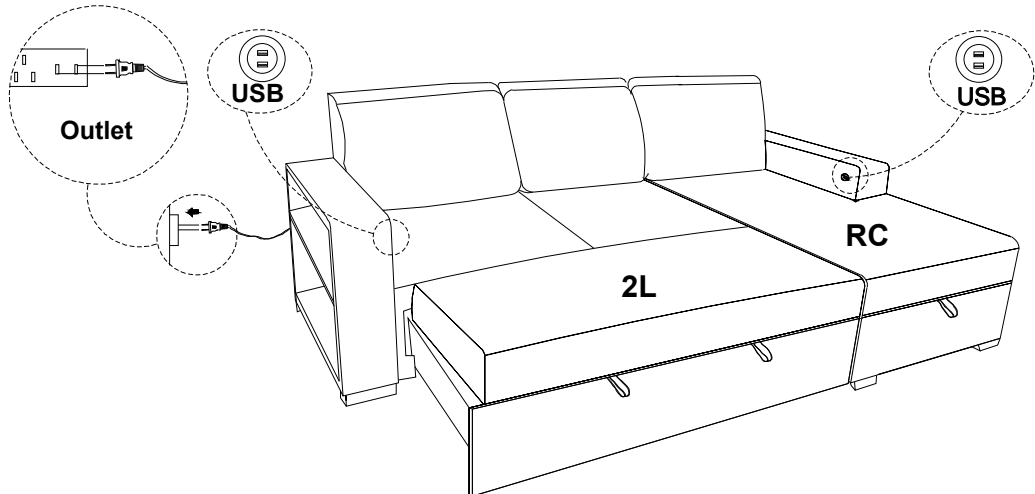


# ASSEMBLY INSTRUCTION

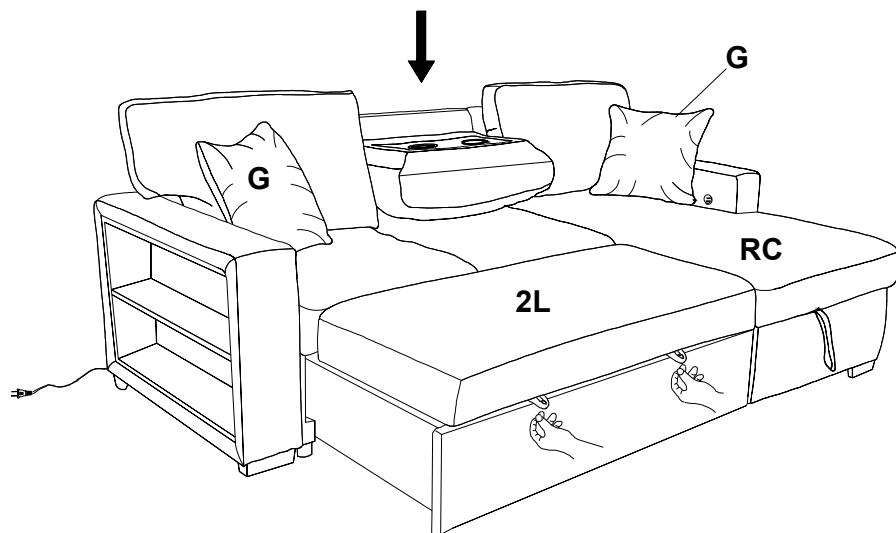


LEFT SIDE 2-SEATER WITH PULL-OUT BED AND USB PORTS, 2 ARMS WITH SHELVES  
RIGHT SIDE CHAISE WITH HIDDEN STORAGER, 2-SEATER'S BACKS AND 2 PILLOWS

## Step 11



## Step 12



### Care Instruction for Boucle Furniture:

In order to maintain the original appearance of your Boucle furniture, please follow below simple care procedures:

Avoid exposing furniture directly to sunlight or heating and air conditioning outlets. Sunlight and or exposure to heating and air conditioning outlets will fade/damage Boucle.

Vacuum or wipe with a soft cloth to remove dust.

Hardware may loosen over time. Periodically check to make sure all connection are tight, Re-tighten if necessary.



For item use on wooden floor, hard surfaces or carpets, it is recommended to install protective pads under all legs and supports to avoid/prevent from damages/scratches and discoloration.