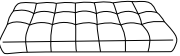

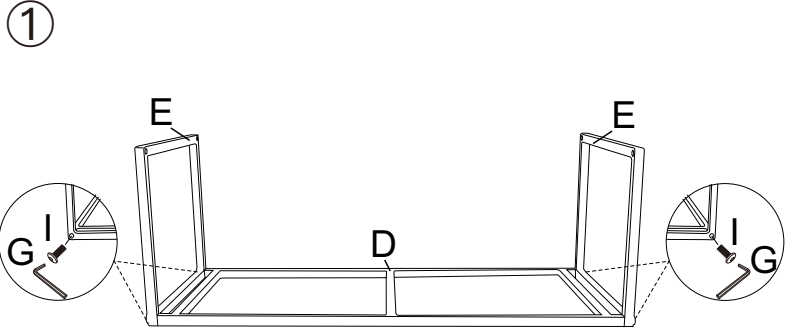
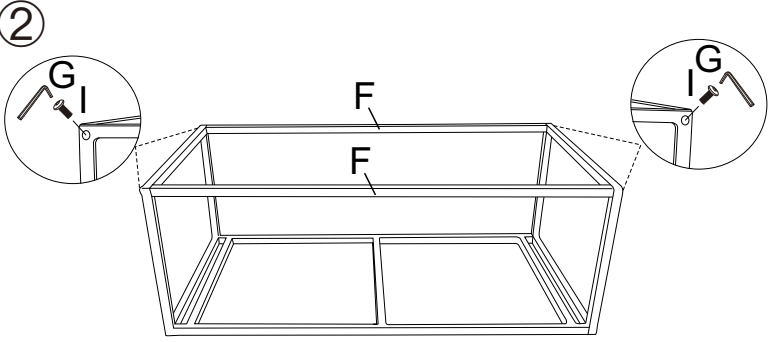


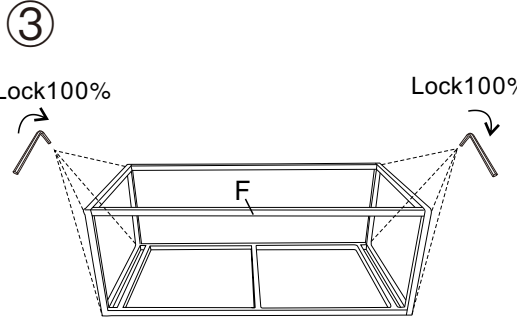
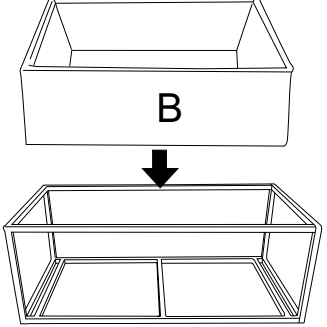
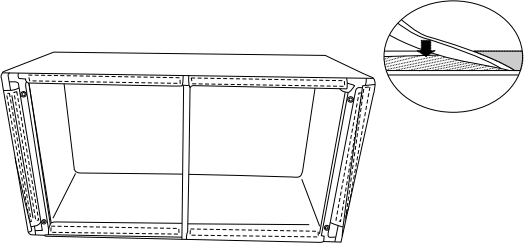


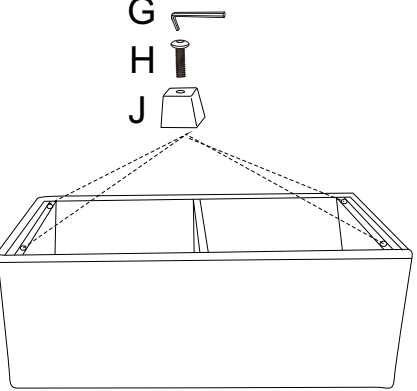
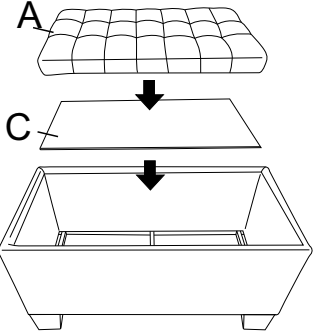
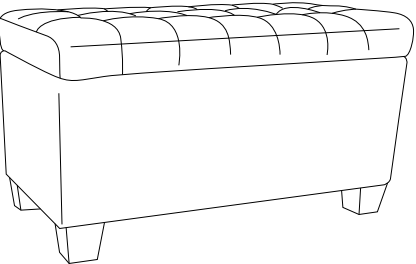
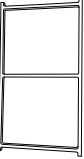
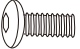
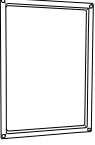


# ASSEMBLY INSTRUCTION

<p>Ax1</p> 	<p>Fx2</p> 	<p>①</p>  <p>Tighten the screws 70%</p>		<p>②</p>  <p>Tighten the screws 70%</p>		
<p>Bx1</p> 	<p>Gx1</p> 	<p>③</p>  <p>Lock 100%</p> <p>Lock 100%</p>		<p>④</p>  <p>1. Open the part B 2. Attach part B to the iron frame (Attention: Black fabric inside)</p>		<p>⑤</p>  <p>Stick the fabric on the bottom</p>
<p>Cx1</p> 	<p>Hx4</p>  <p>M6x50mm</p>	<p>⑥</p>  <p>G</p> <p>H</p> <p>J</p>		<p>⑦</p>  <p>A</p> <p>C</p>		
<p>Dx1</p> 	<p>Ix8</p>  <p>M6x40mm</p>					
<p>Ex2</p> 	<p>Jx4</p> 