

# PRODUCT MANUAL



**ATTENTION!** PLEASE READ THESE INSTRUCTIONS BEFORE USING THIS DEVICE



## NOTICE:

If your package is missing parts or you are having issues with assembly, please call us directly or message us, Our customer service team will address any questions or concerns you may have. Have this manual open and ready for reference.



## SAFETY

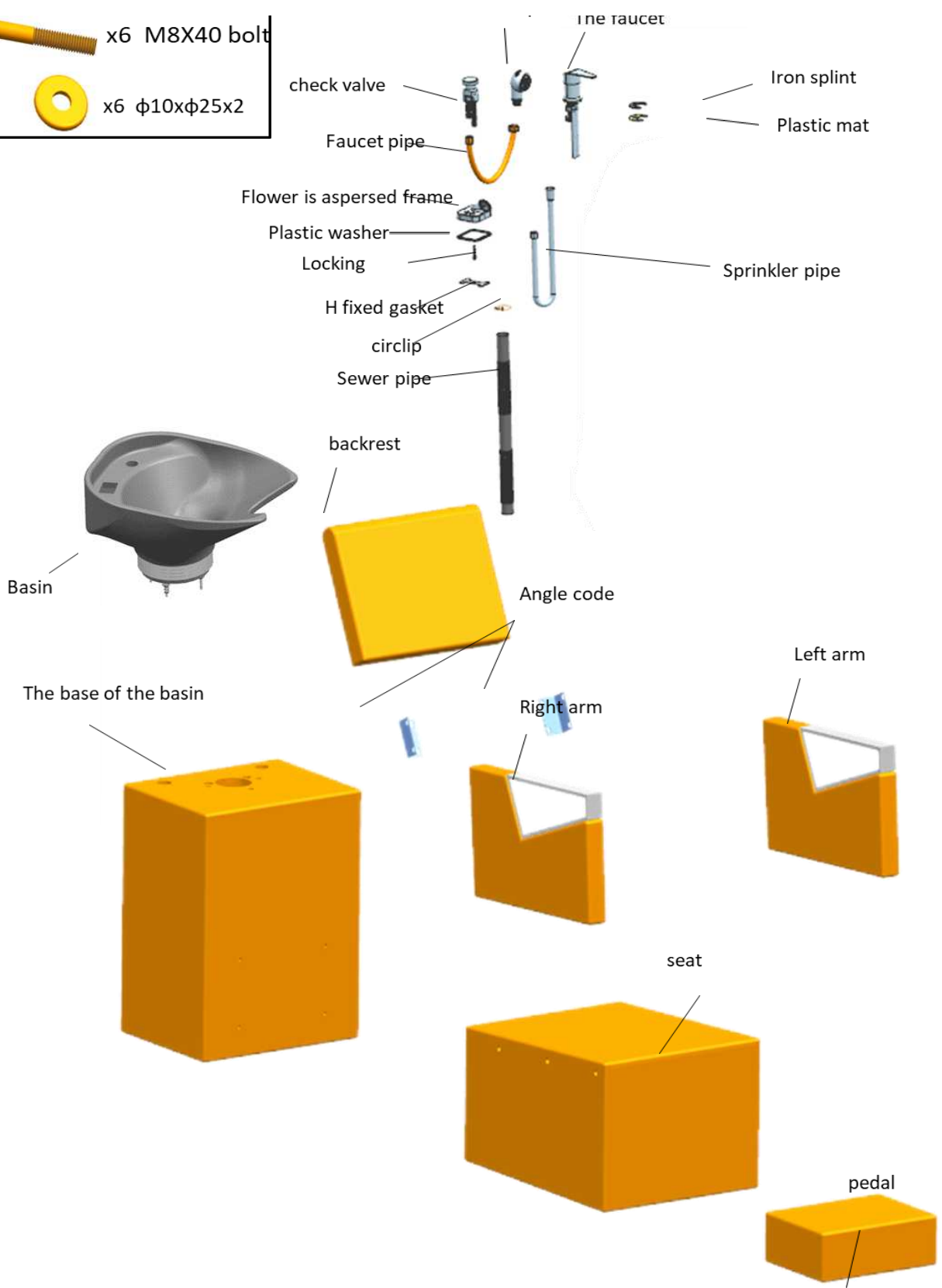
To reduce risk of injury when assembling & using the chair, follow these precautions:

- Read all of these instructions before assembling and using your salon chair.
- It is helpful to have 2 people assemble and turn the chair upright after assembling.
- Do not over-extend the chair (0~150kg), creating the risk of falls or tipping the chair, and its occupant over, resulting in injury

## PARTS & FEATURES

Flower is aspers The faucet

- x6 M8X40 bolt
- x6  $\phi 10 \times \phi 25 \times 2$



## INSTALLATION INSTRUCTION

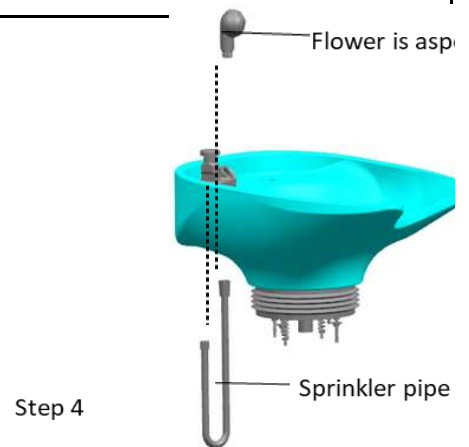
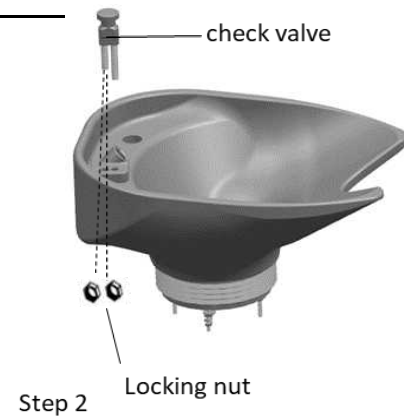
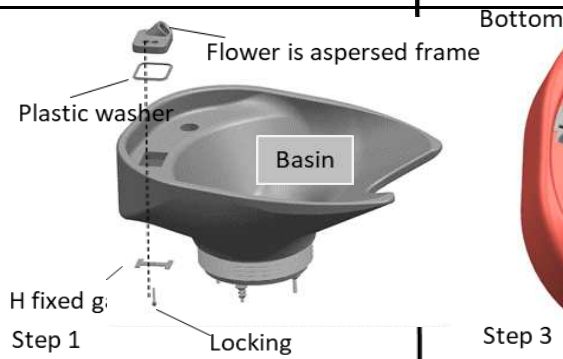
### First: Install the basin (1)

Step 1 . Install Isolator base , Plastic washer , Fixing washer and Sprinkler pipe to the basin.

Step 2 . Install Isolator and Locking nut to the basin.

Step 3 . Install Sprinkler and Sprinkler pipe to the basin.

Please follow up the diagram beside



### Second : Install the basin (2)

Step 1 . Install the faucet , plastic mat and iron splint to the basin.

Step 2 . Install the faucet pipe to the faucet and isolator.

Step 3 . Install the sewer pipe on bottom of the basin , then tighten it by circlip.

Please follow up the diagram beside

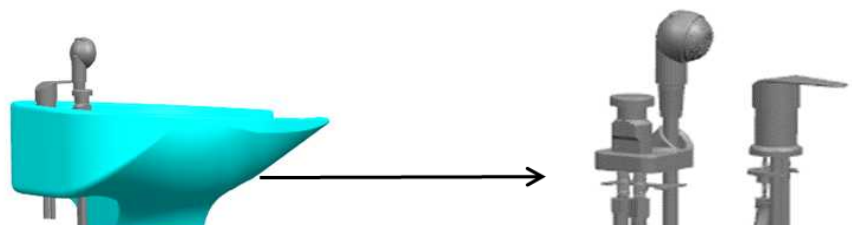
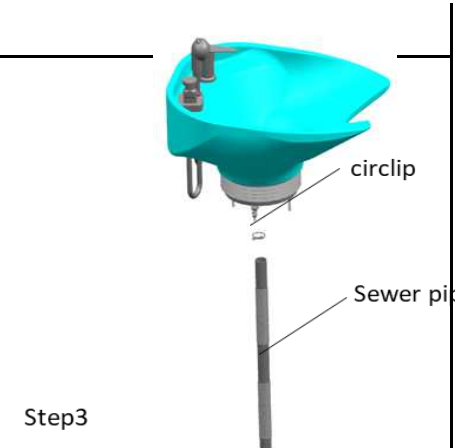
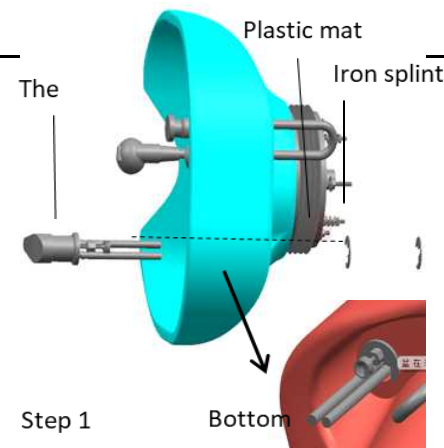
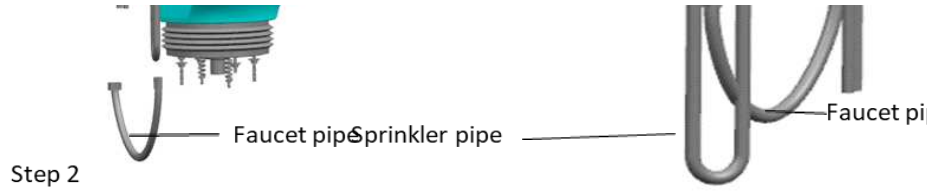
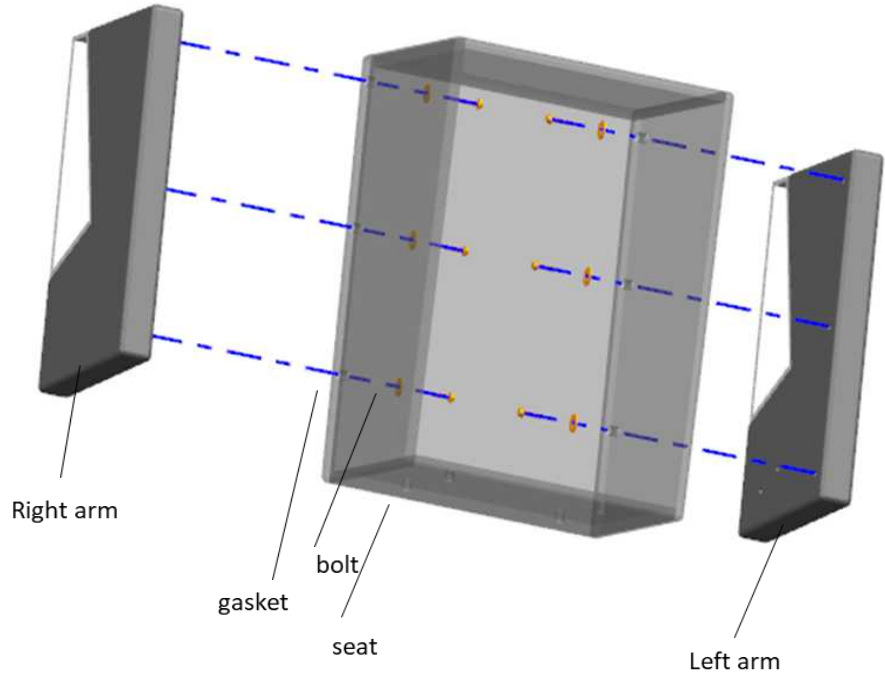


Diagram beside



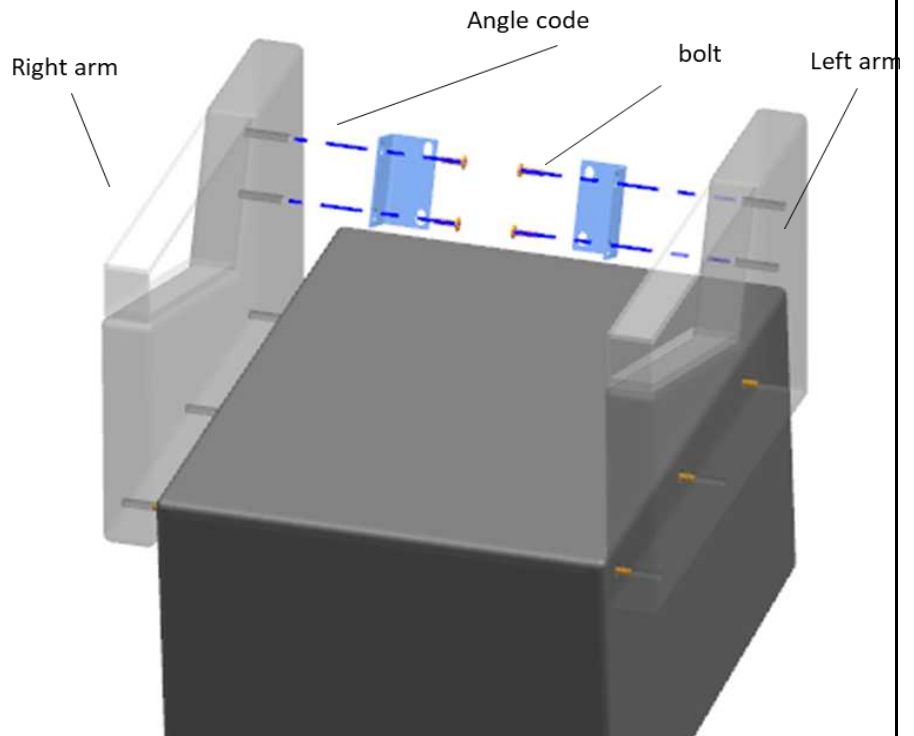
Third: install handrails

Align the armrests with the holes and connect the left and right armrests to the seat with six washers and six bolts  
Please follow up the diagram beside



Fourth: install backrest (1)

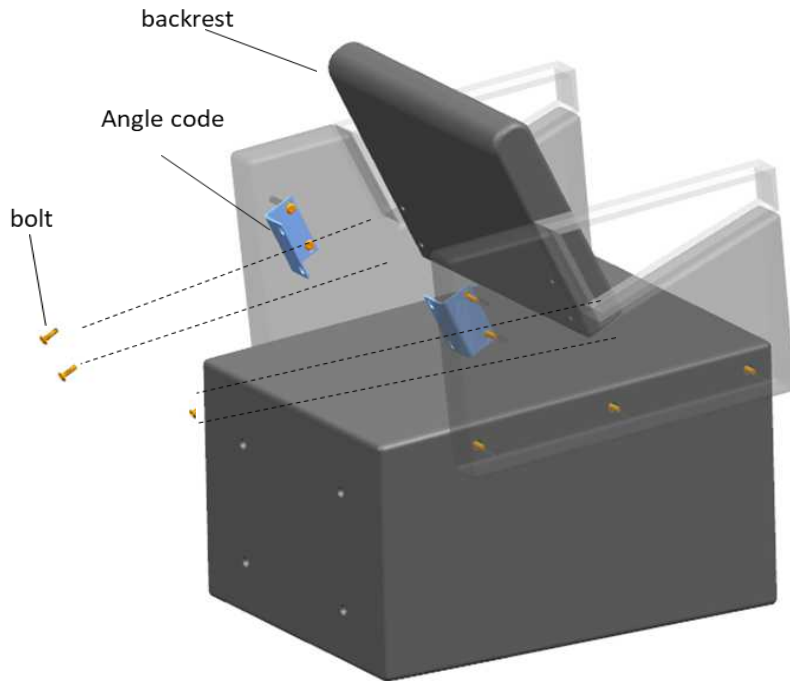
Install 2 fixtures on left and right handrails with 4 bolts  
Please follow up the diagram beside





**Fifth: Install backrest (2)**

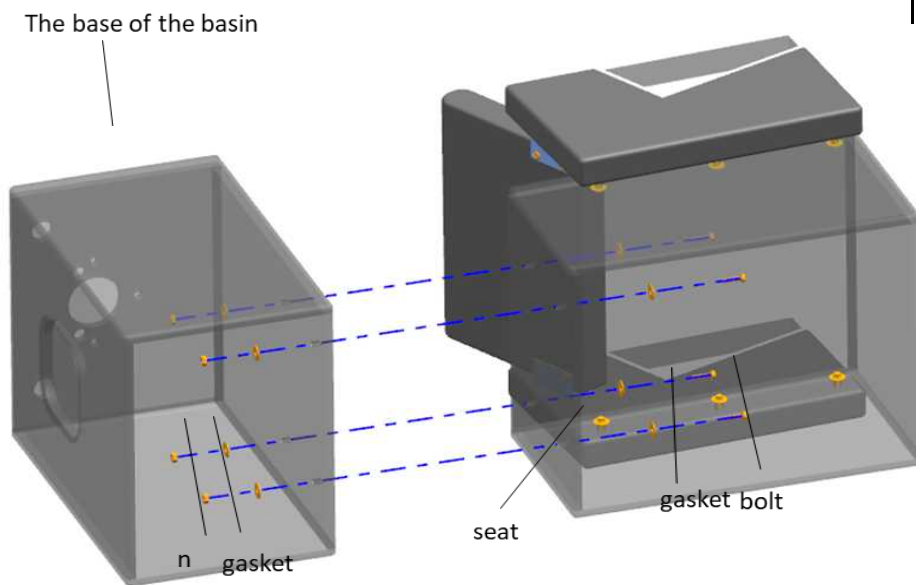
Install the backrest on the 2 retainers with 4 bolts  
Please follow up the diagram beside



**Sixth: install basin base**

Connect the bottom of the basin together with 4 bolts, 4 nuts and 8 gaskets

Please follow up the diagram beside



**Seventh: Install a**



**shampoo basin**

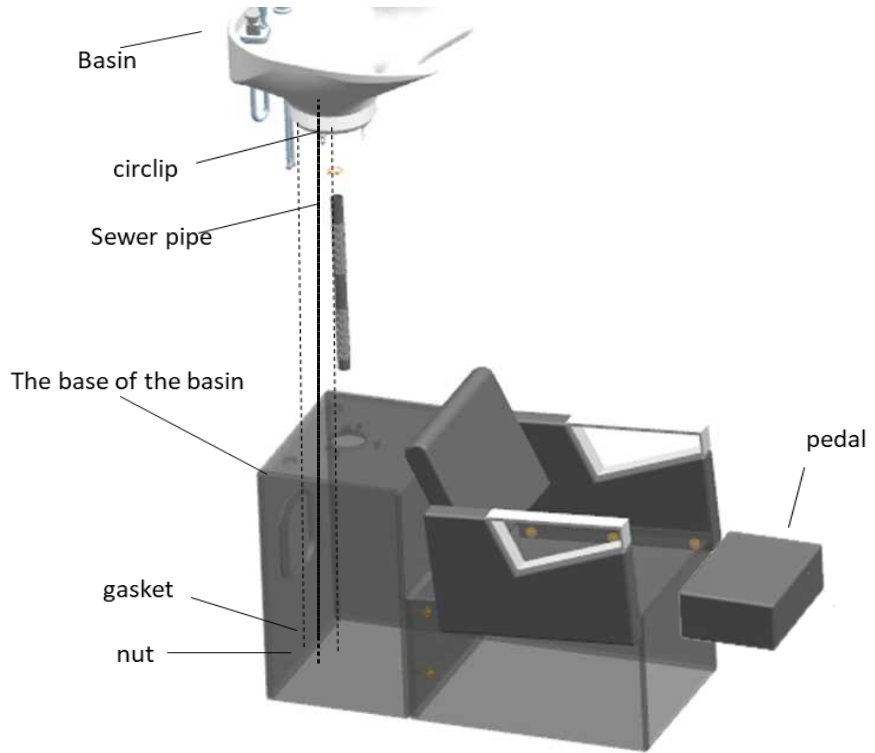
Step 1. Install the drain spring under the shampoo basin

Step 2. Place the shampoo basin in the trough of the center bracket and secure it to the bracket with nuts and washers

Step 3, put the pipe into the hole, and fix the back cover of the middle bracket with 4 screws

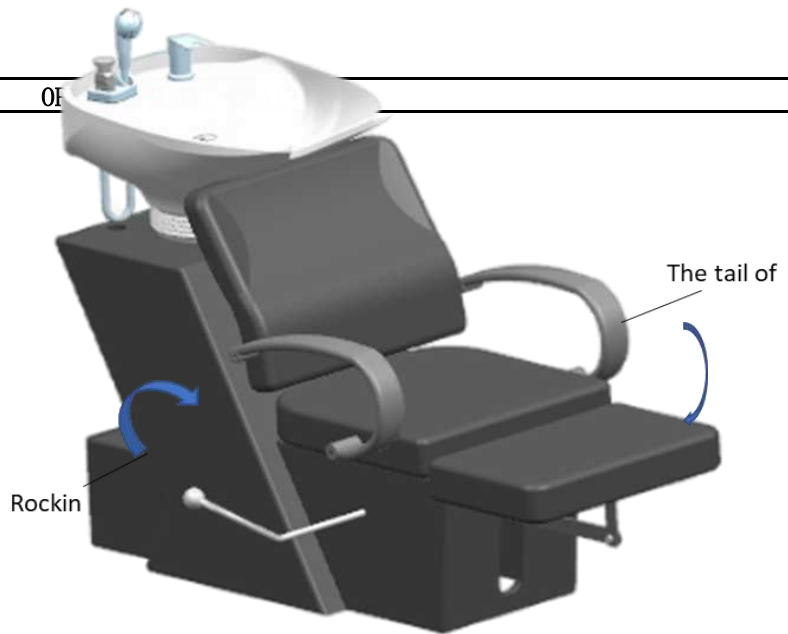
Step 4: Place your feet in front of your seat

**Please follow up the diagram beside**

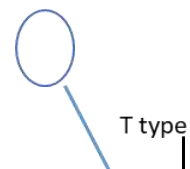


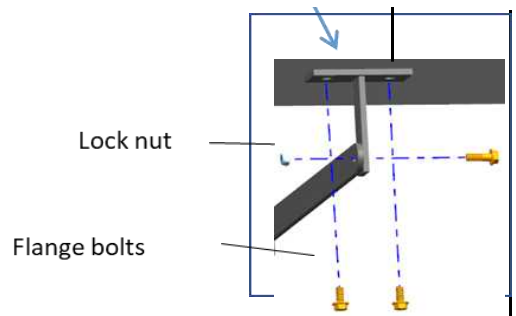
**Sloped rear sofa**

- Push Lever on side of chair back to allow the legrest of the seat to raise up.
- Pull lever forward to allow the legrest to lower down.



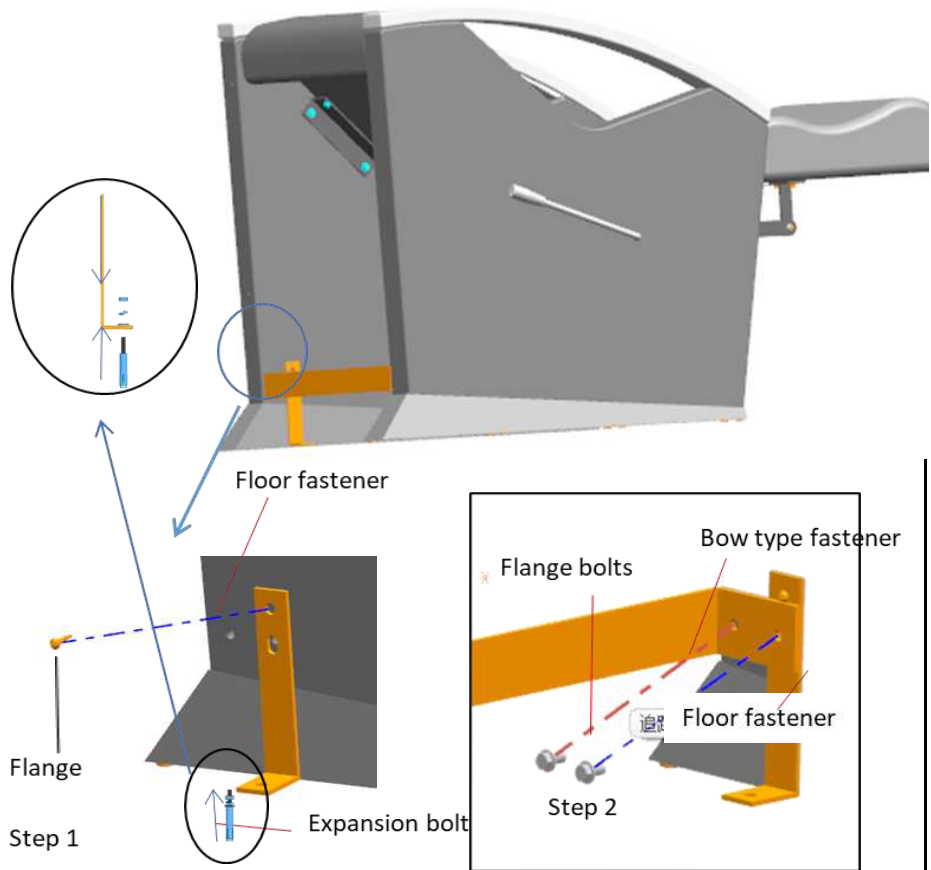
**Eighth: installation of t parts**



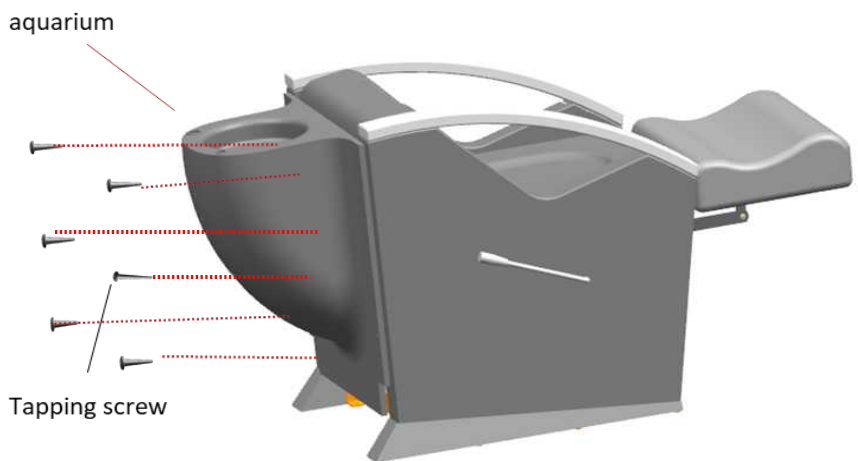


**Ninth: install floor fasteners and bow word fasteners**

Step 1. Install left and right handrail floor fasteners using tapping screws. Step 2 .Disassemble the expansion bolt and put the bolt and bolt sleeve into the hole in the ground. Place the exposed bolt into the hole in the L-shaped fastener and secure it with washers, spring washers, and nuts. Step 3 Install the bow fastener on the floor fastener and left and right armrests according to the drawings. Please follow the chart on the side.

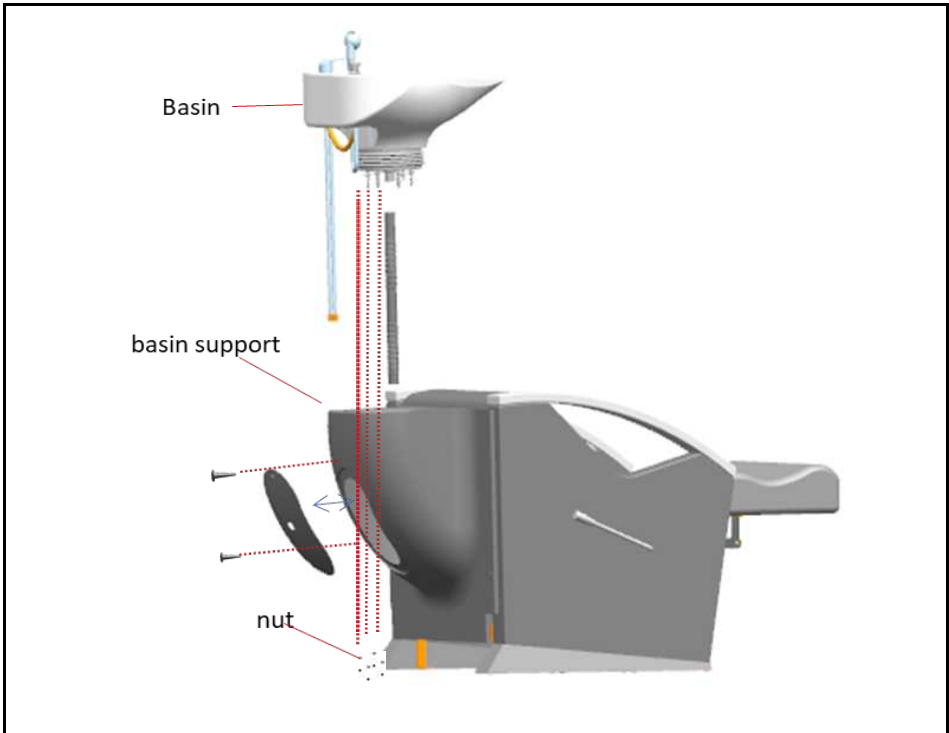


**Tenth: install basin and basin support**



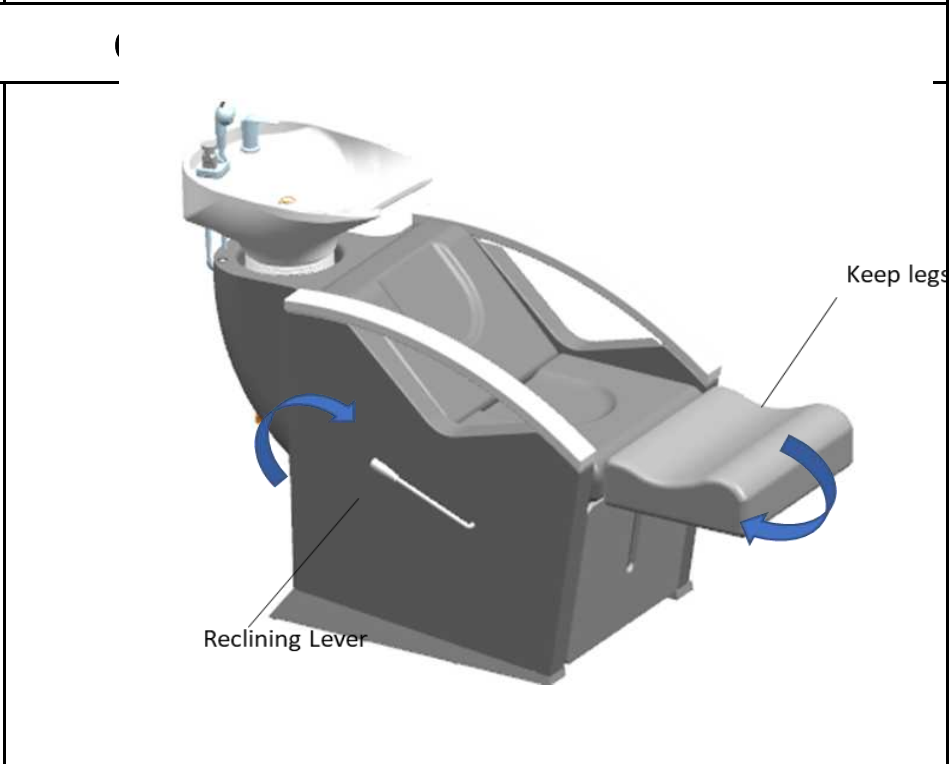
Step 1. Secure the basin support with 6 self

support with 6 self tapping screws.  
 Step 2 Remove the cover of the basin rack and the screws securing the basin bottom  
 Step 2. Install the basin onto the basin support using the given screws.  
 Step 3. Install the removed bowl holder cover. Please follow the chart on the side.



**Recline the Legrest**

- Push Lever on side of chair back to allow the legrest of the seat to raise up.
- Pull lever forward to allow the legrest to lower down.







-  
versed



!

pe

.

ipe

n

1



|



