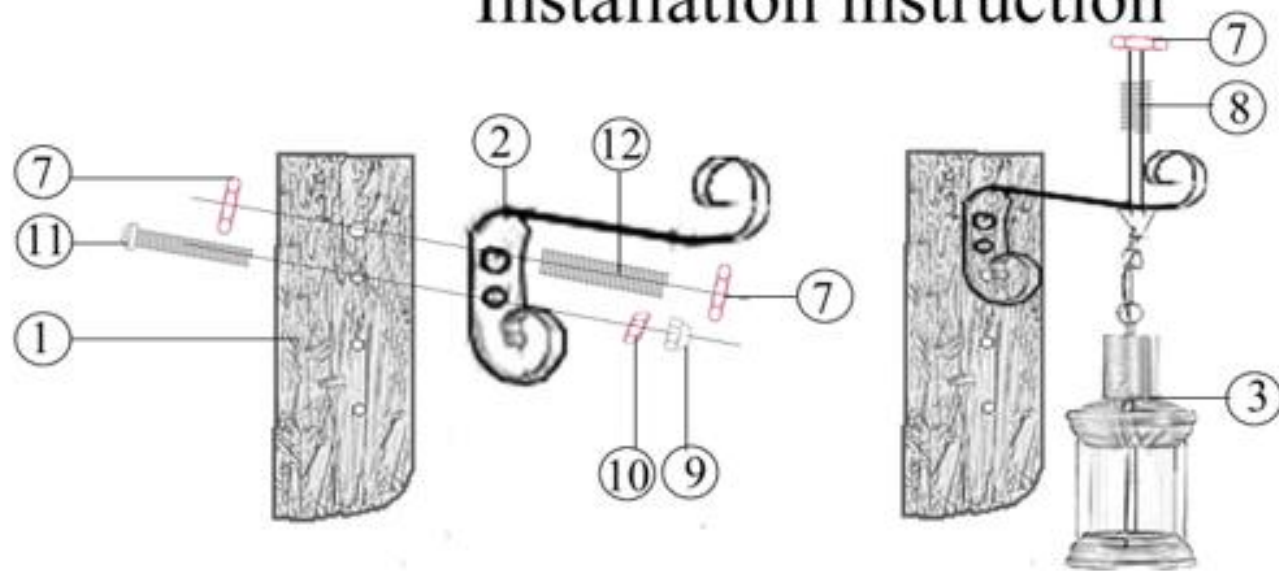


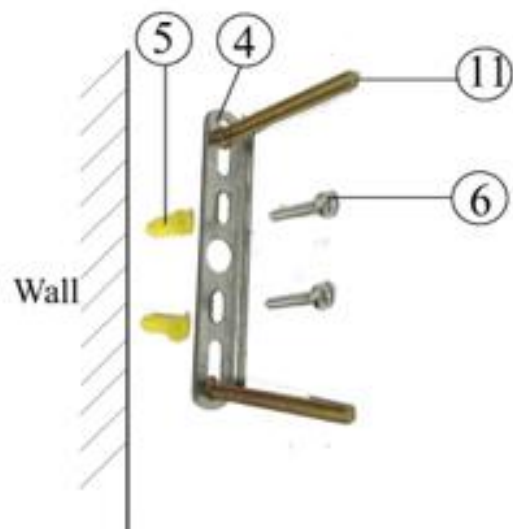
# Installation instruction



1 Assemble the hook

2 Assemble the kerosene lamp

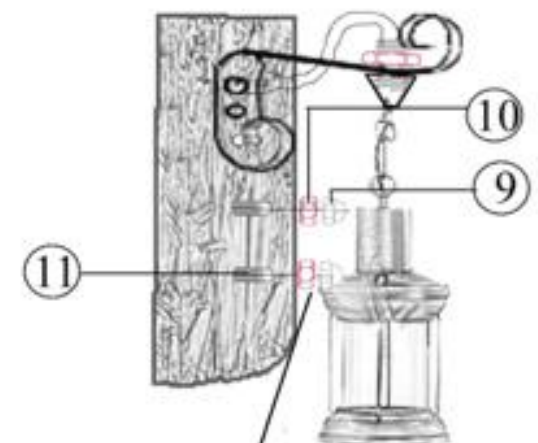
3 Wire the wires through the board to complete the assembly



4 Install wall mounts



5 Connect the wires



6 Fix the wall lamp on the wall

Parts list	①	②	③	④	⑤	⑦	⑨	⑪
	x 1	x 1	x 1	x 1	x 2	x 3	x 3	x 3
					x 2	x 1	x 3	x 1