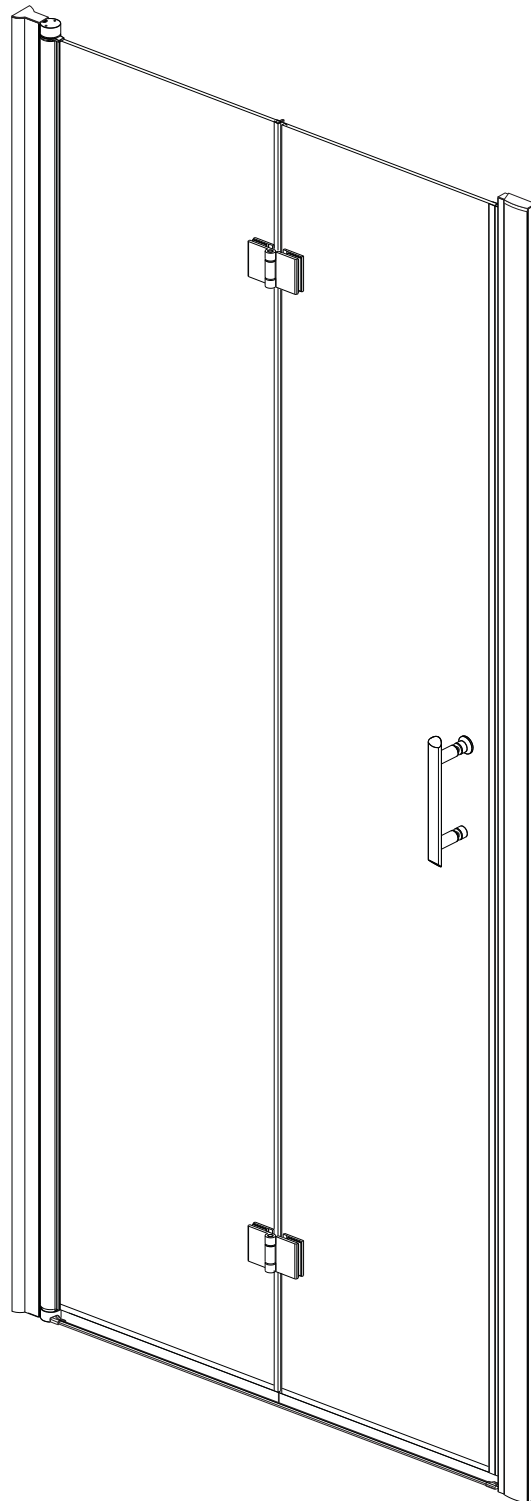
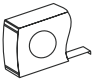


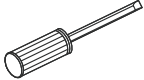

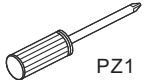

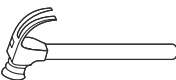
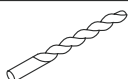



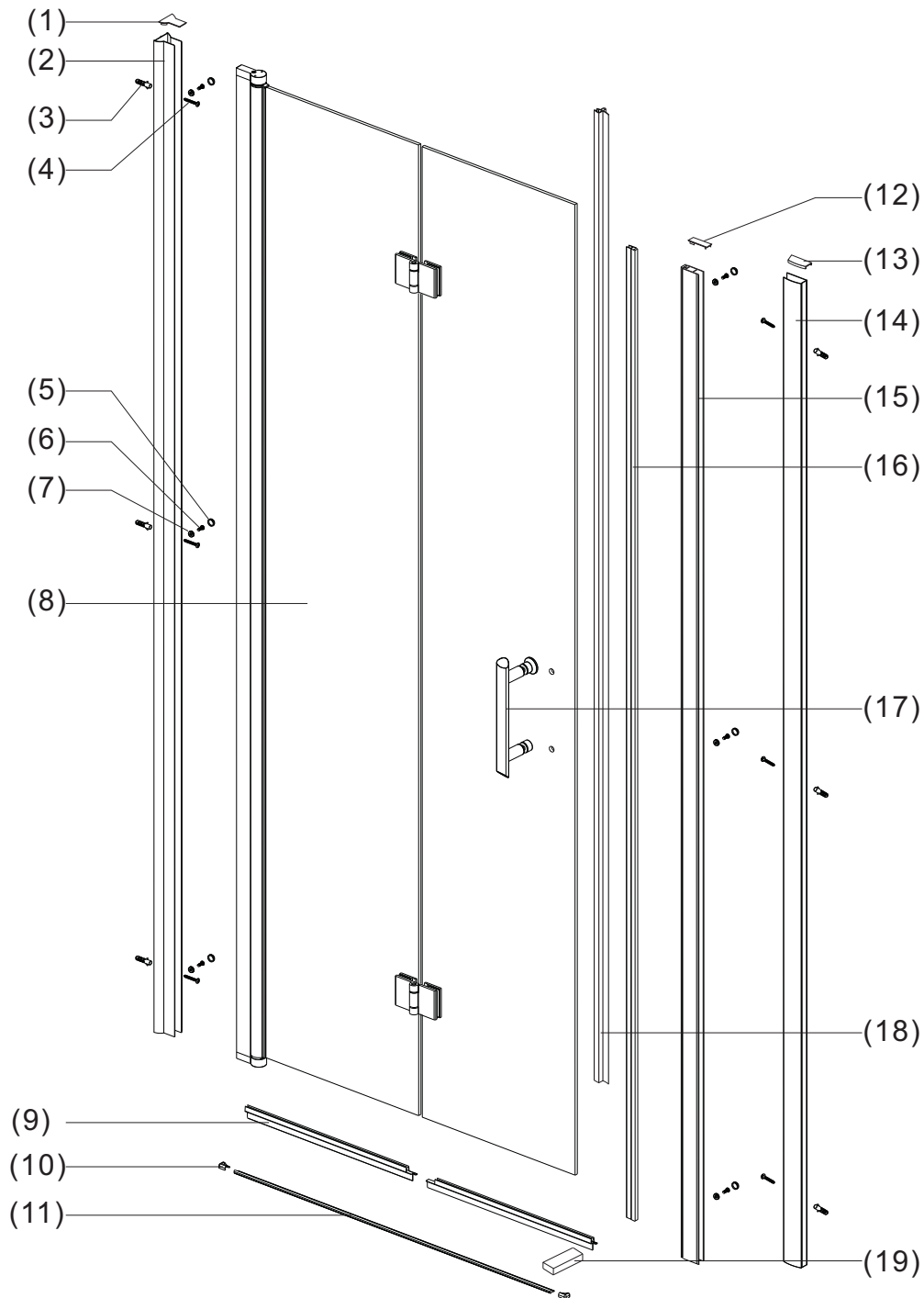
6mm FRAMELESS BIFOLD DOOR



TOOLS REQUIRED

DESCRIPTION	PART IMAGE	DESCRIPTION	PART IMAGE
Tape measure		Drill	
Spirit level		Flat-head Screwdriver	
Pencil		Cross head Screwdriver	 PZ1
Ø6mm Drill bit		Hammer	
Ø3mm Drill bit		Silicone Sealant	

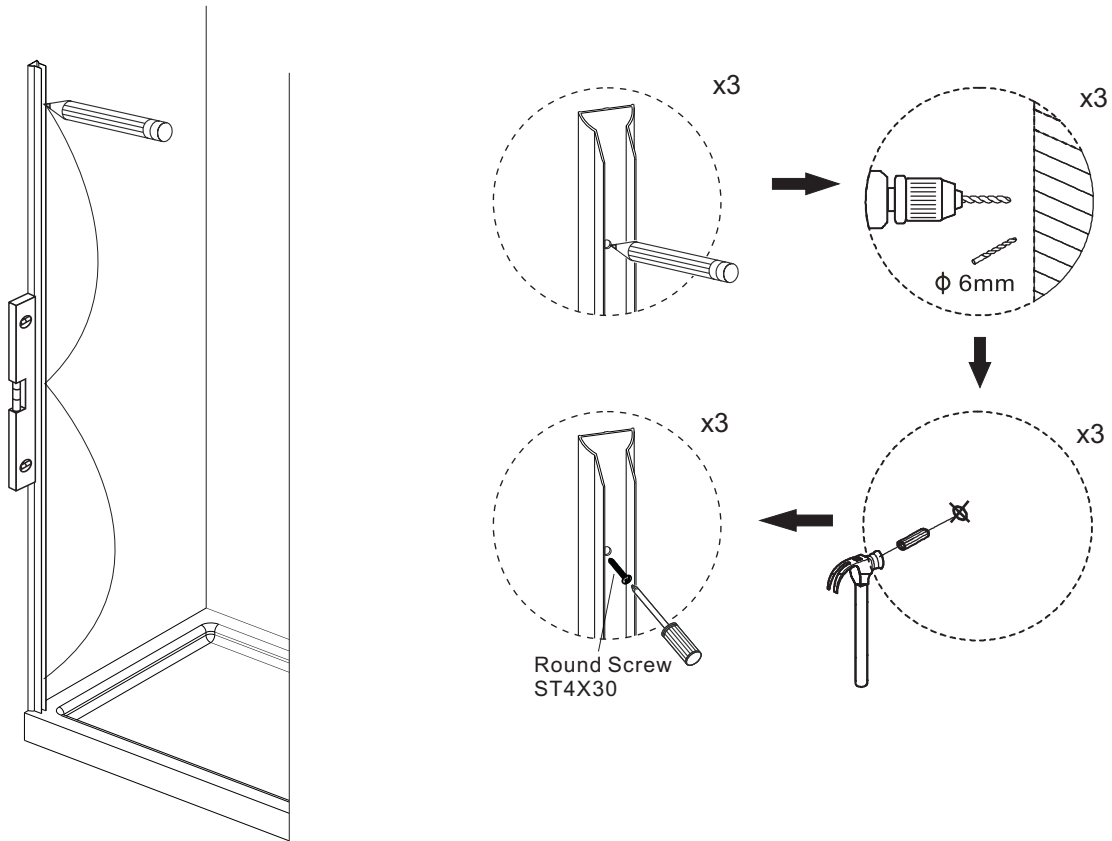
ASSEMBLY INSTRUCTIONS-DRAWING



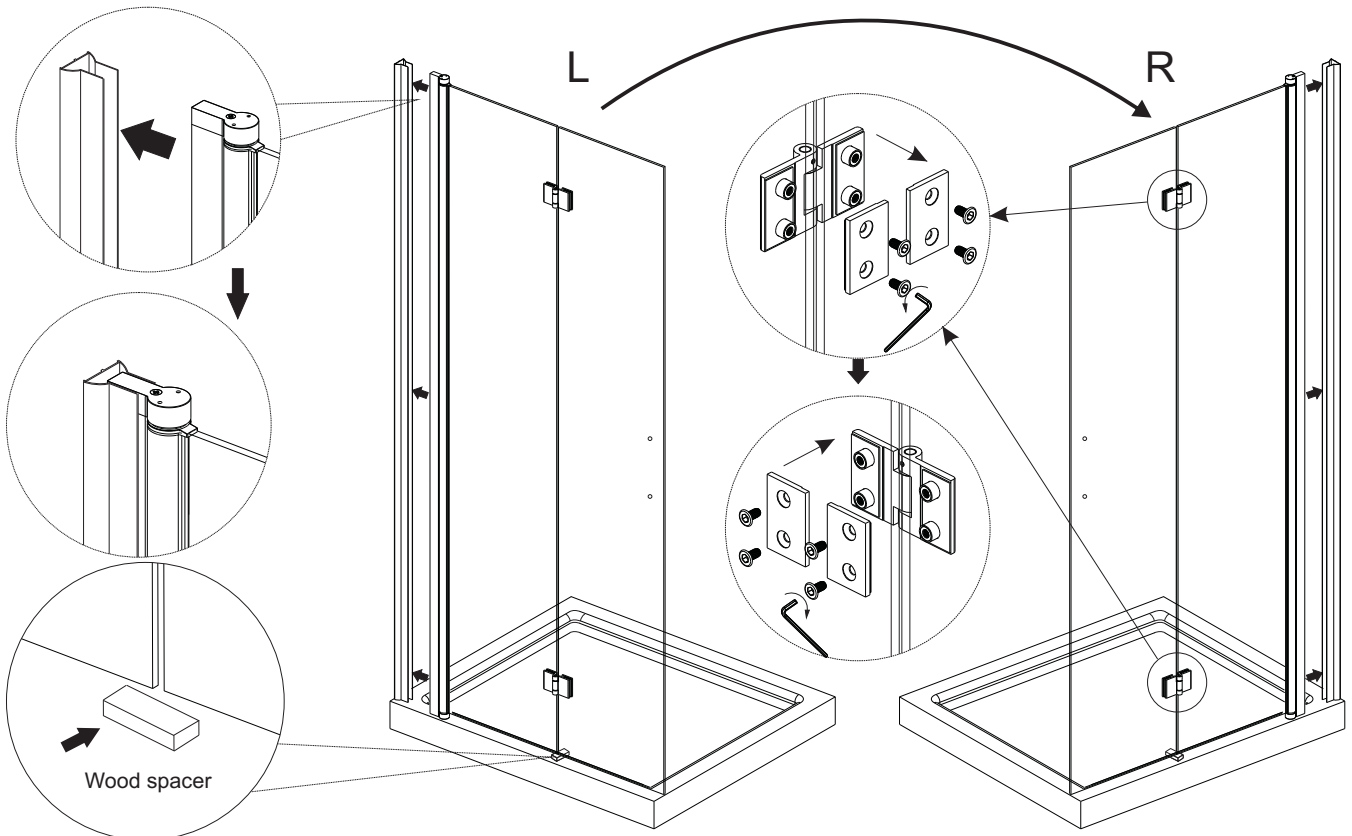
- | | |
|-------------------------------|-------------------------------------|
| (1) 1x Wall Profile Cover Cap | (11) 1x Drip Strip |
| (2) 1x Wall Profile A | (12) 1x Upright Profile Cover Cap |
| (3) 6x Wall Plugs | (13) 2x Wall Profile Cover Caps L&R |
| (4) 6x Screws 4x30 | (14) 1x Wall Profile B |
| (5) 6x Screw Cover Caps | (15) 1x Upright Magnet Profile |
| (6) 6x Screws 4x12 | (16) 1x Magnet Seal |
| (7) 6x Screw Cover Clips | (17) 1x Handle |
| (8) 1x Moving panel | (18) 1x Vertical Seal |
| (9) 2x Bottom Seal | (19) 1x Wood Spacer |
| (10) 2x End Cover Cap L&R | |

ASSEMBLY INSTRUCTIONS

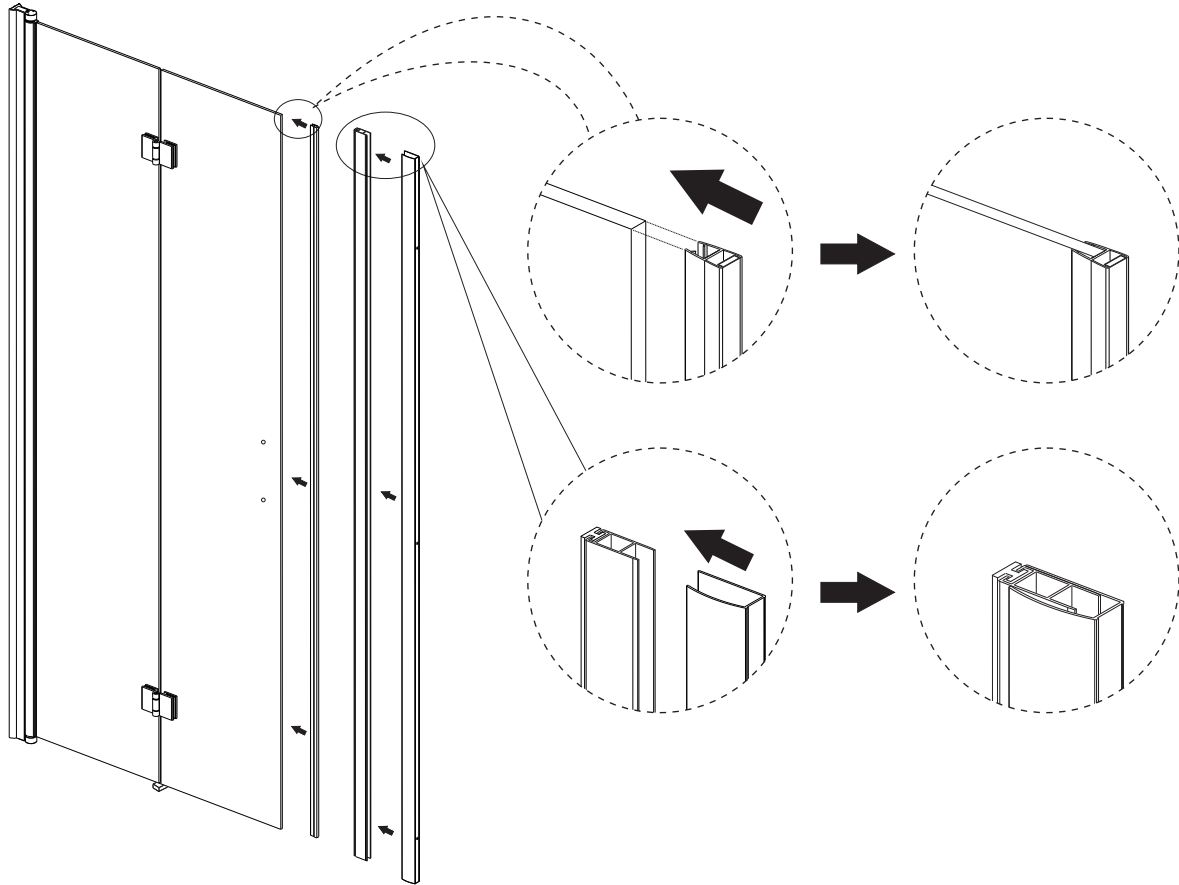
Step 1



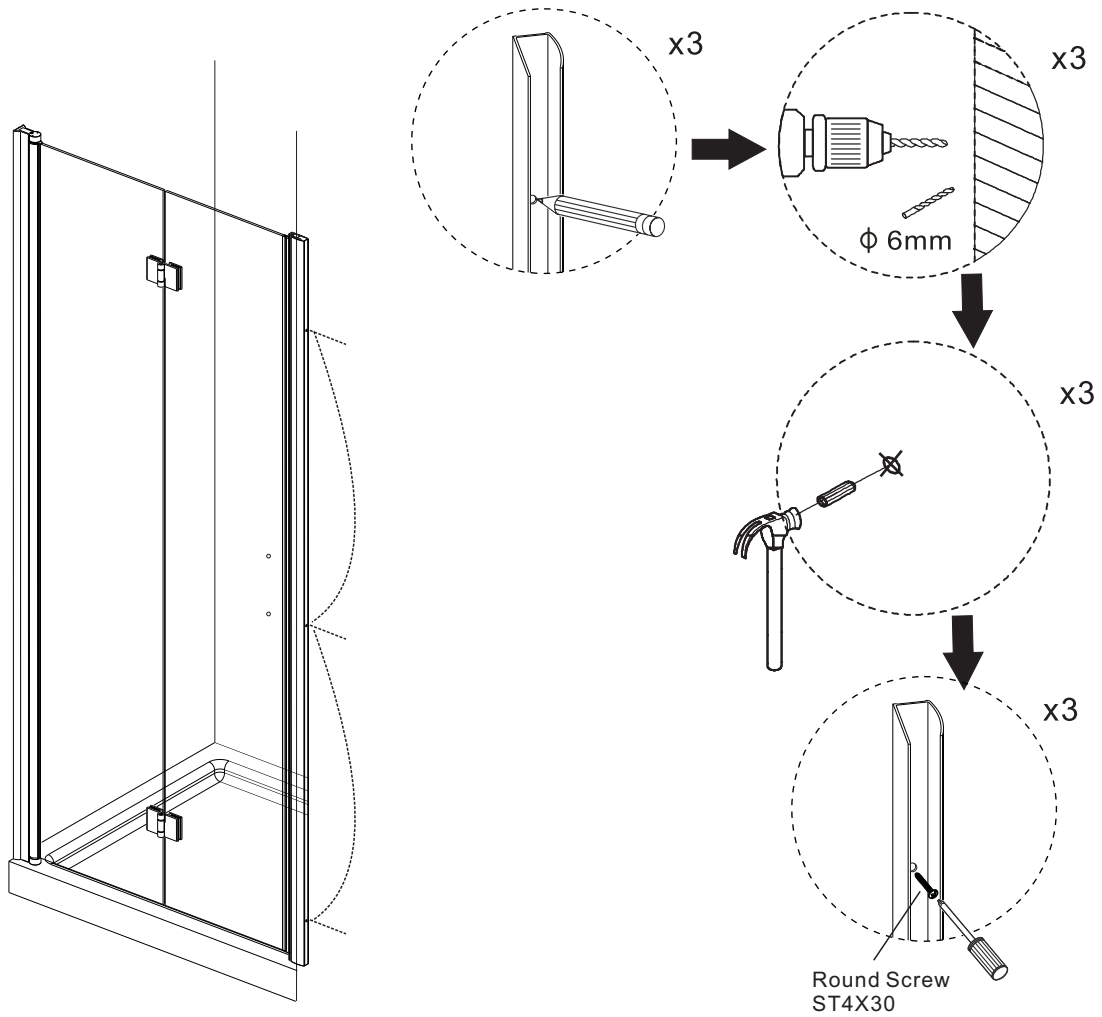
Step 2



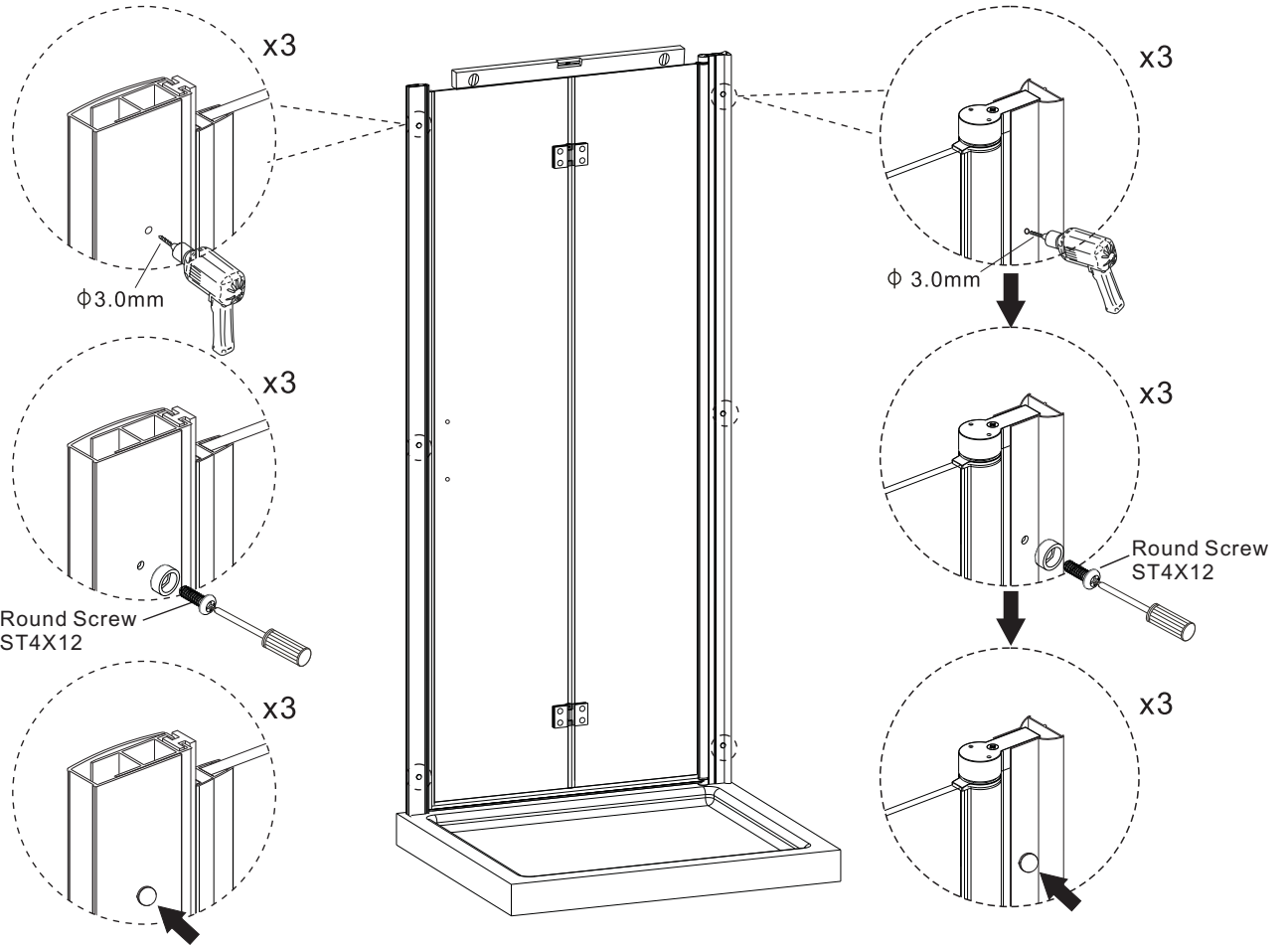
Step 3



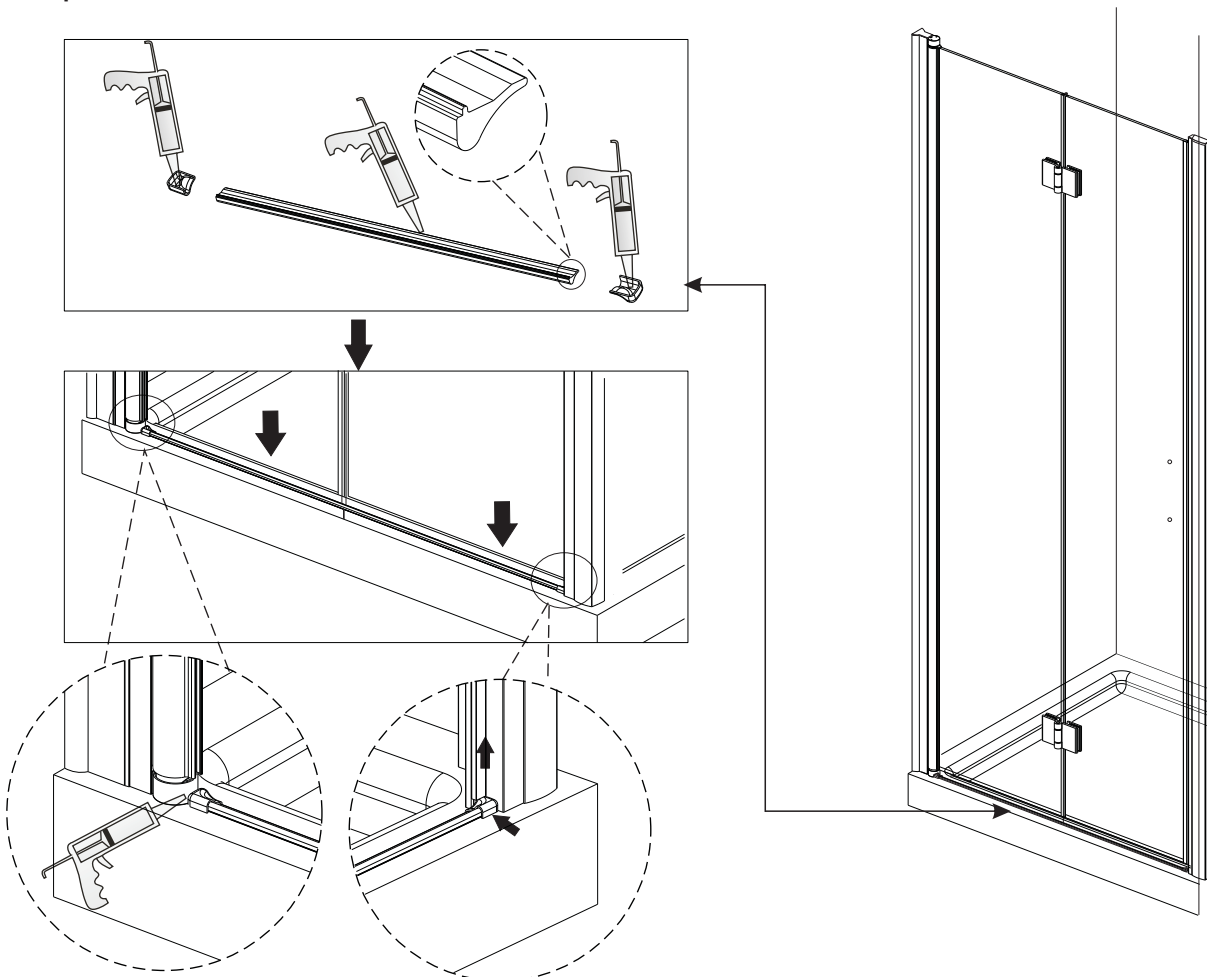
Step 4



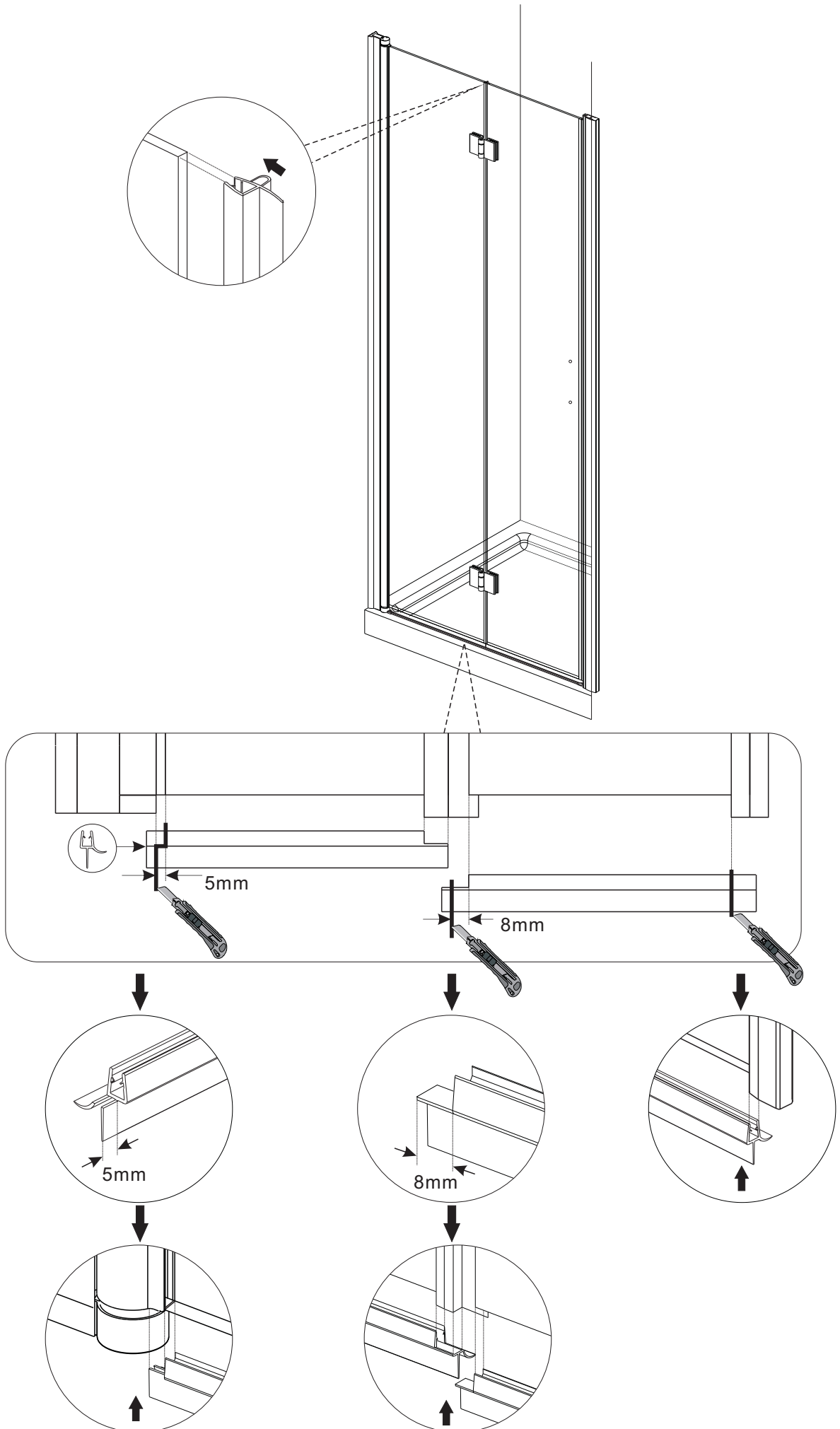
Step 5



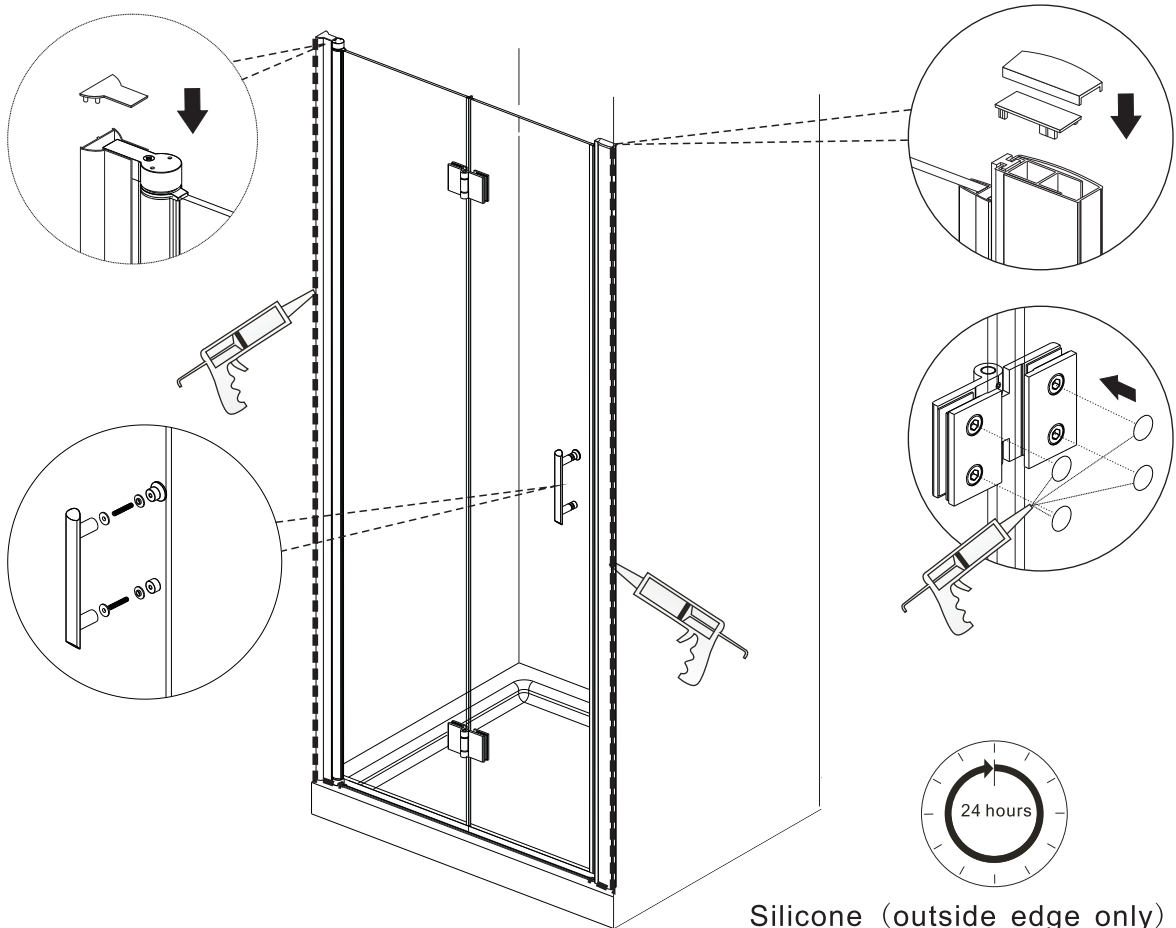
Step 6



Step 7



Step 8



Silicone (outside edge only) where the vertical profiles meet the wall.