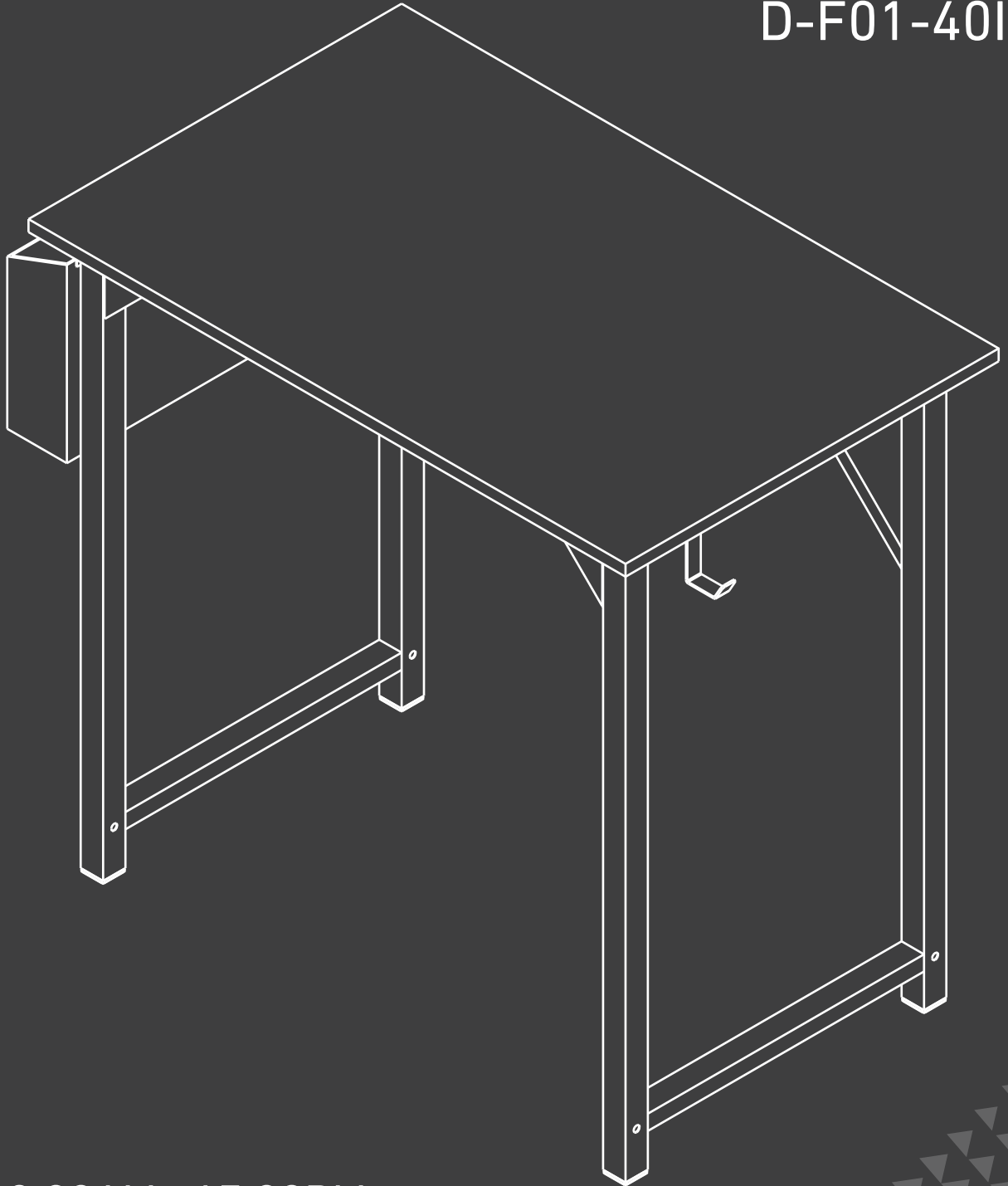


Computer Desk

Instruction Manual

D-F01-31IN

D-F01-40IN

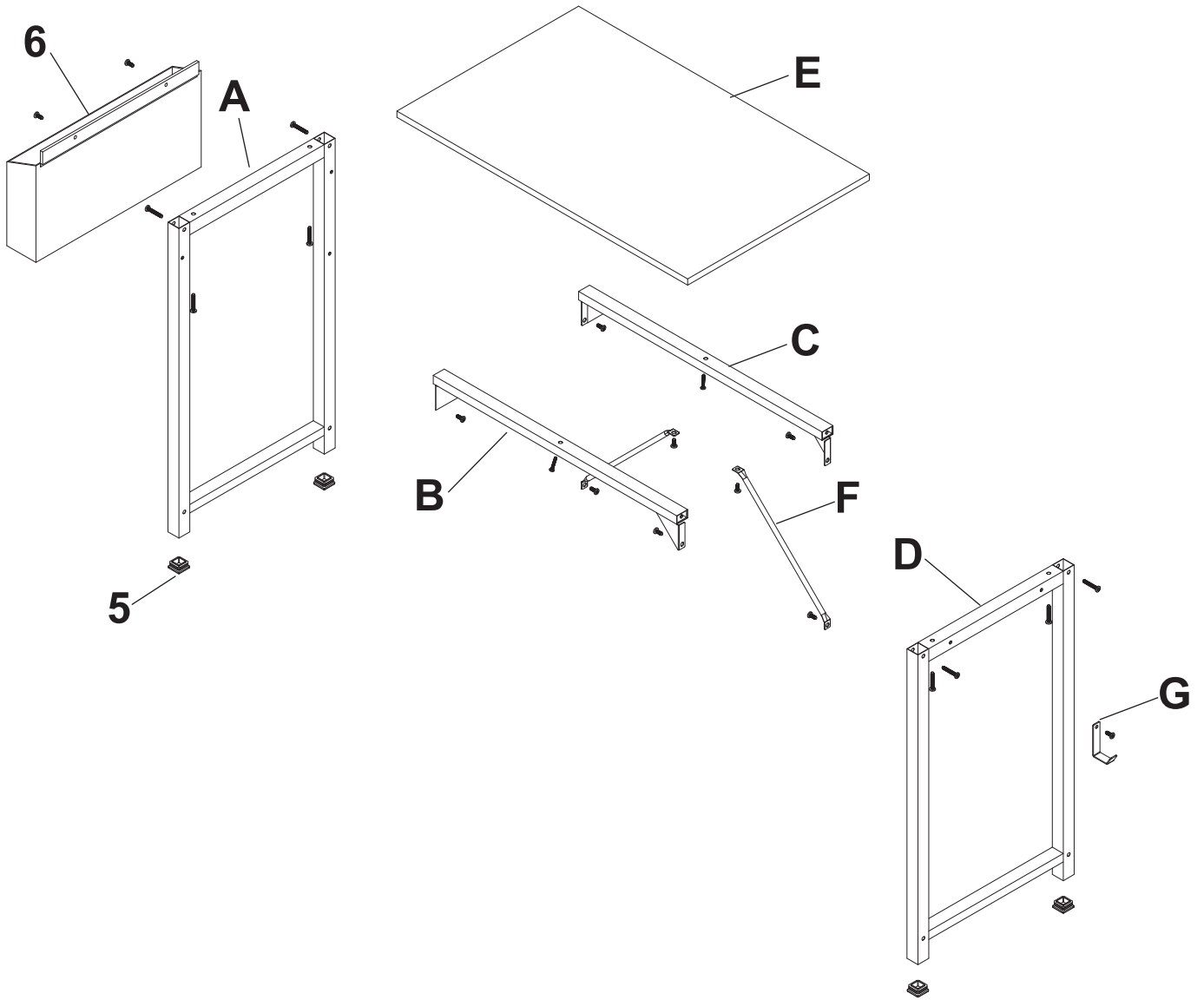


 EST 9:00AM--17:00PM

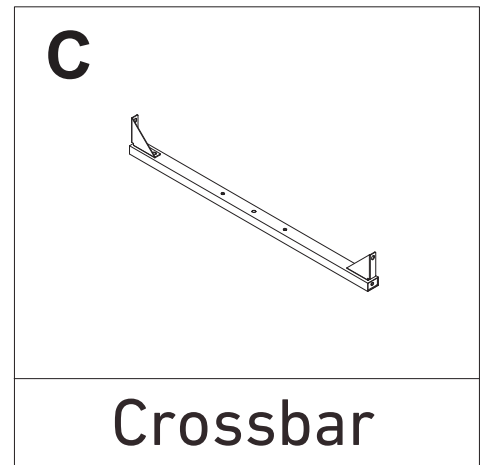
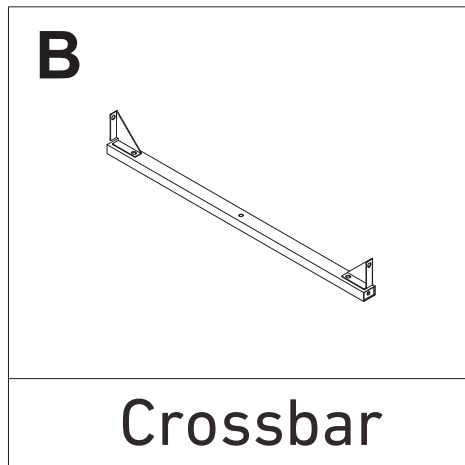
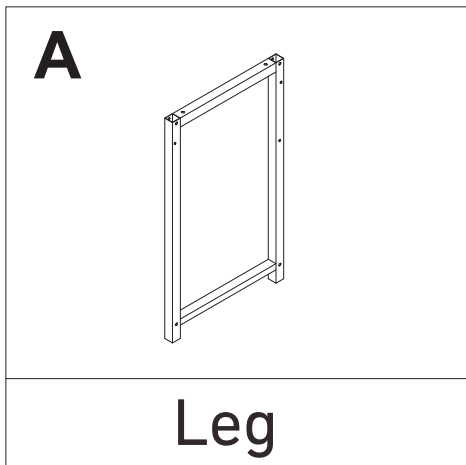
 HJ-Customer-Service@outlook.com

 (909)637-7665 | (909)637-7593

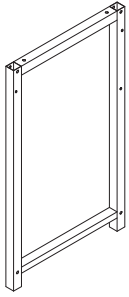
1 Component List



1 Package List

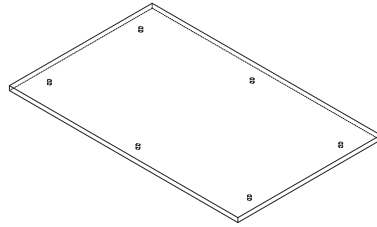


D



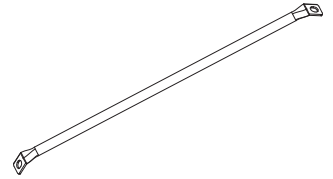
Leg

E



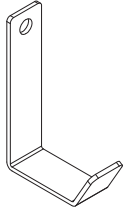
Board

Fx2



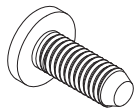
Bar

G



Hook

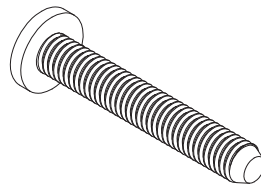
1x11



M6x16mm

Screws

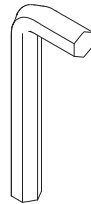
2x10



M6x40mm

Screws

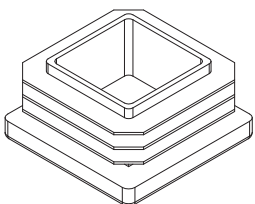
3



4mm

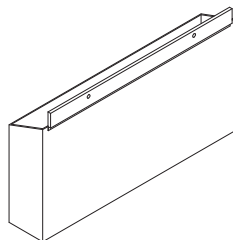
Wrench

4x4



Foot Pad

5

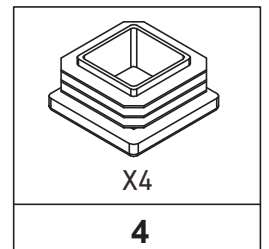
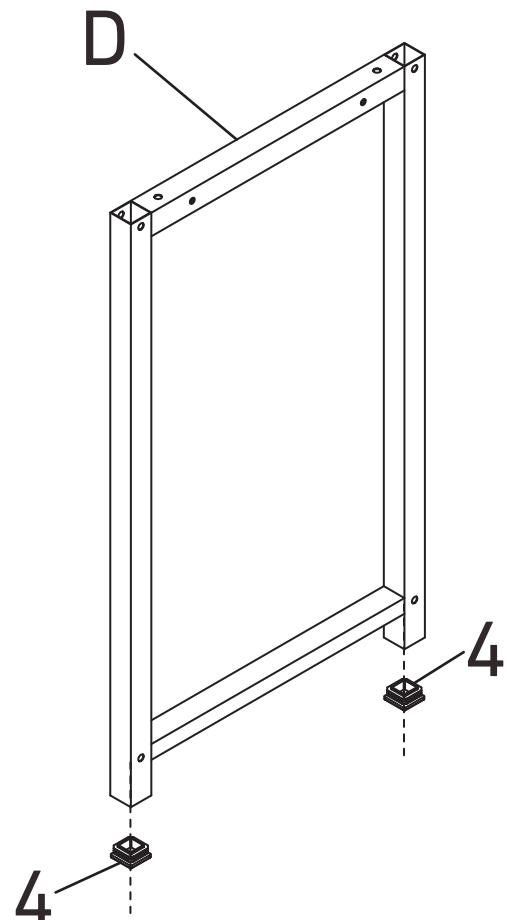
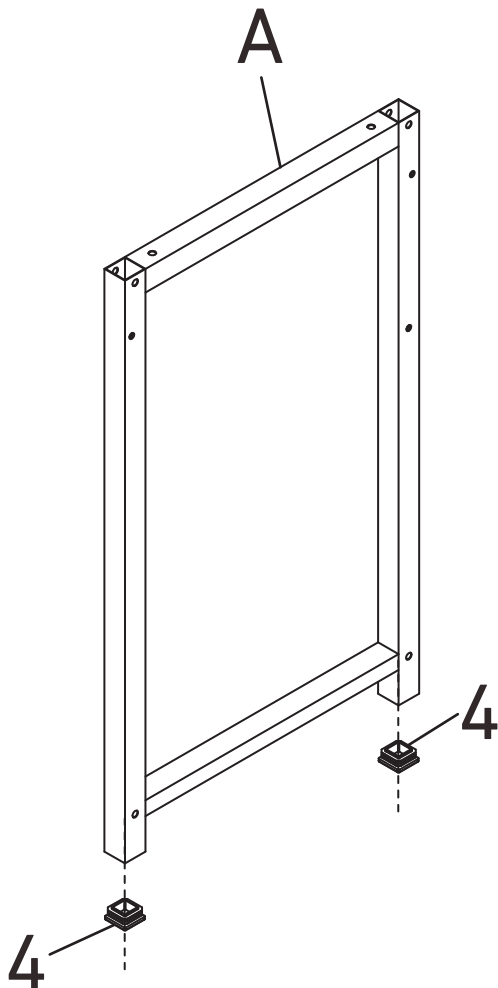


Felt Bag

ATTENTION:

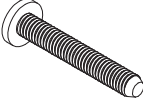

1. Please do not wipe the desk with corrosive liquids.
2. Please take good care of the parts to avoid children's contact and accidental eat in.
3. Please do not place overheated kitchenware and tableware to avoid damaging the desk.

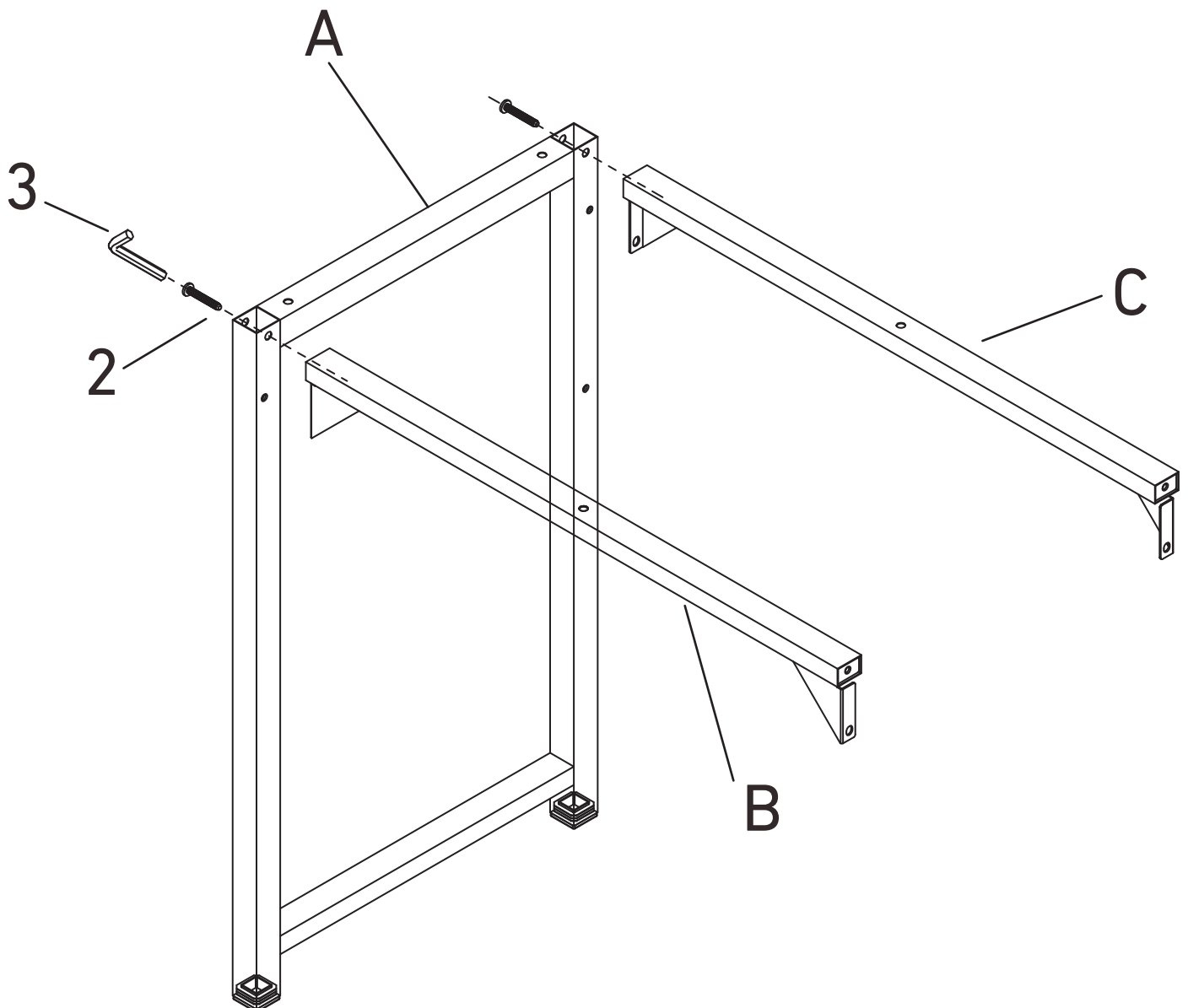
Step 1



Attach Foot Pad (4)*4 to the four feet of the Legs (A&D).

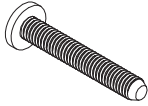

Step 2

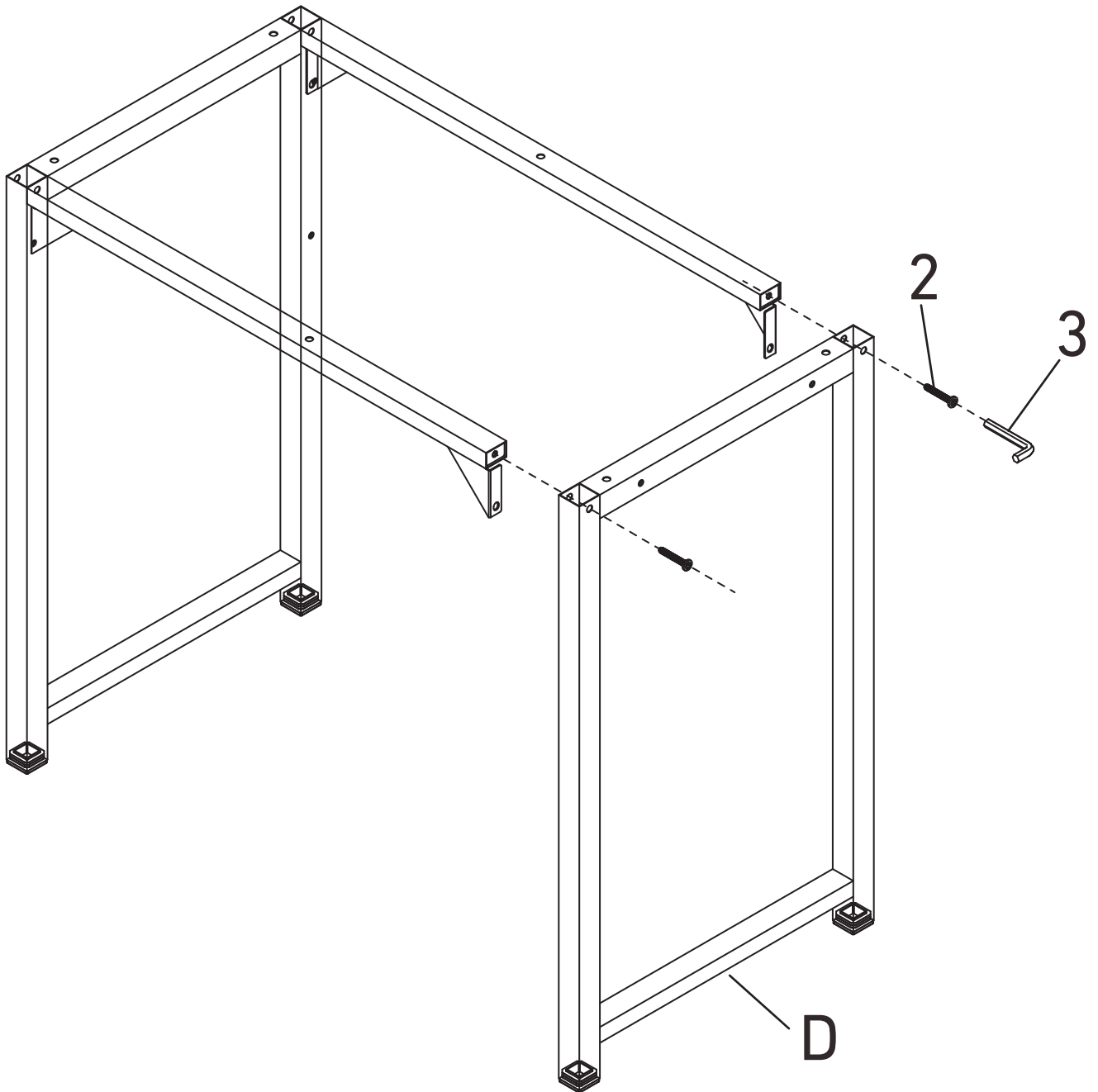
	
M6X40mm	4mm
2x2	3



Attach Crossbar **(B)** to the **front** side of the Leg **(A)** and Crossbar **(C)** to its **back** side with Screws **(2)*2**.


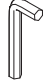
Step 3

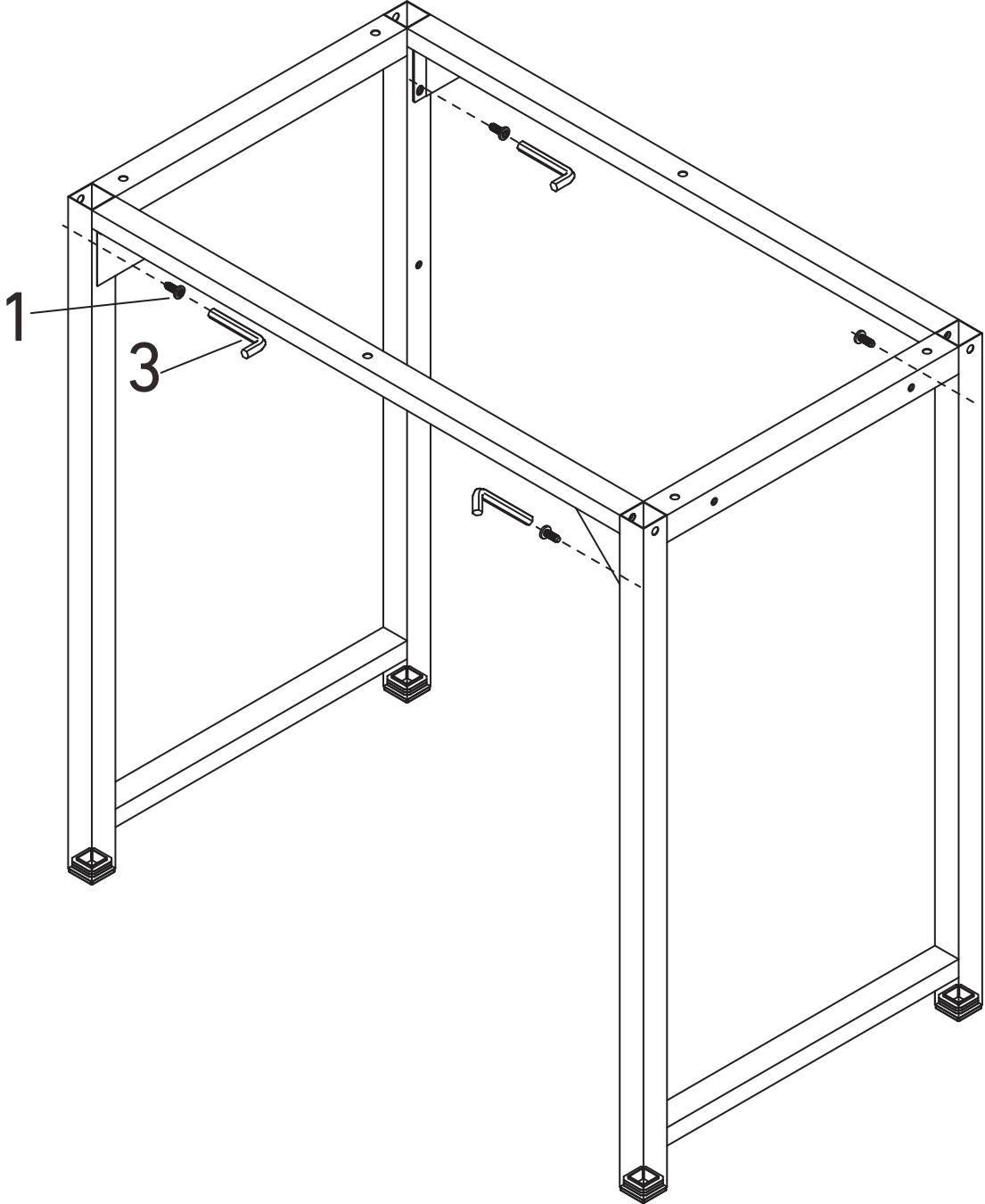
	
M6X40mm	4mm
2x2	3



Attach Leg **(D)** to the installed Desk Frame with Screws **(2)*2**. Please make sure the Legs are oriented correctly.



Step 4

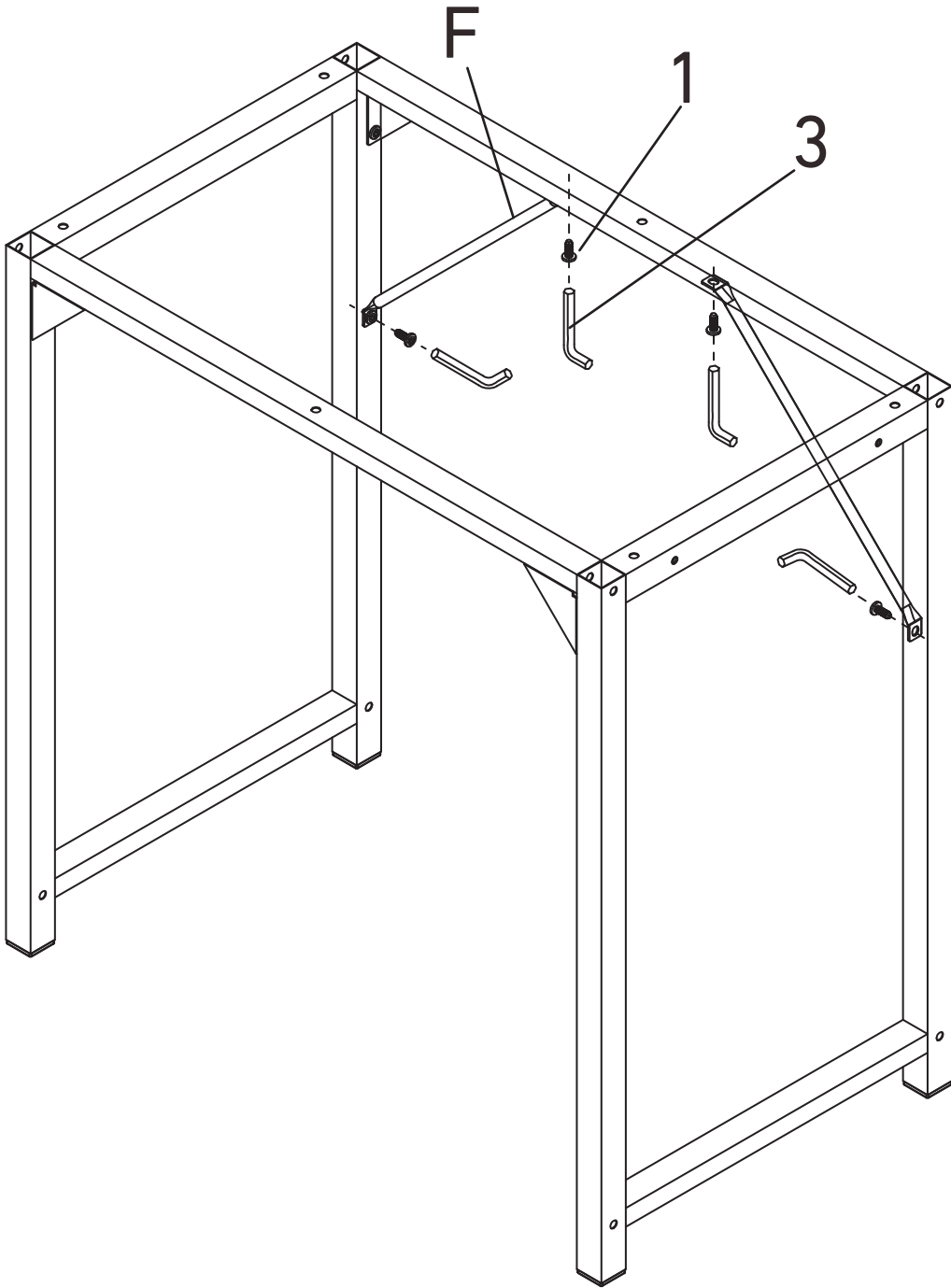
	
M6X16mm	4mm
1x4	3



Secure the remaining four screw holes of the Crossbars **(B&C)** completely to the installed Desk Frame with Screws **(1)*4**.



Step 5

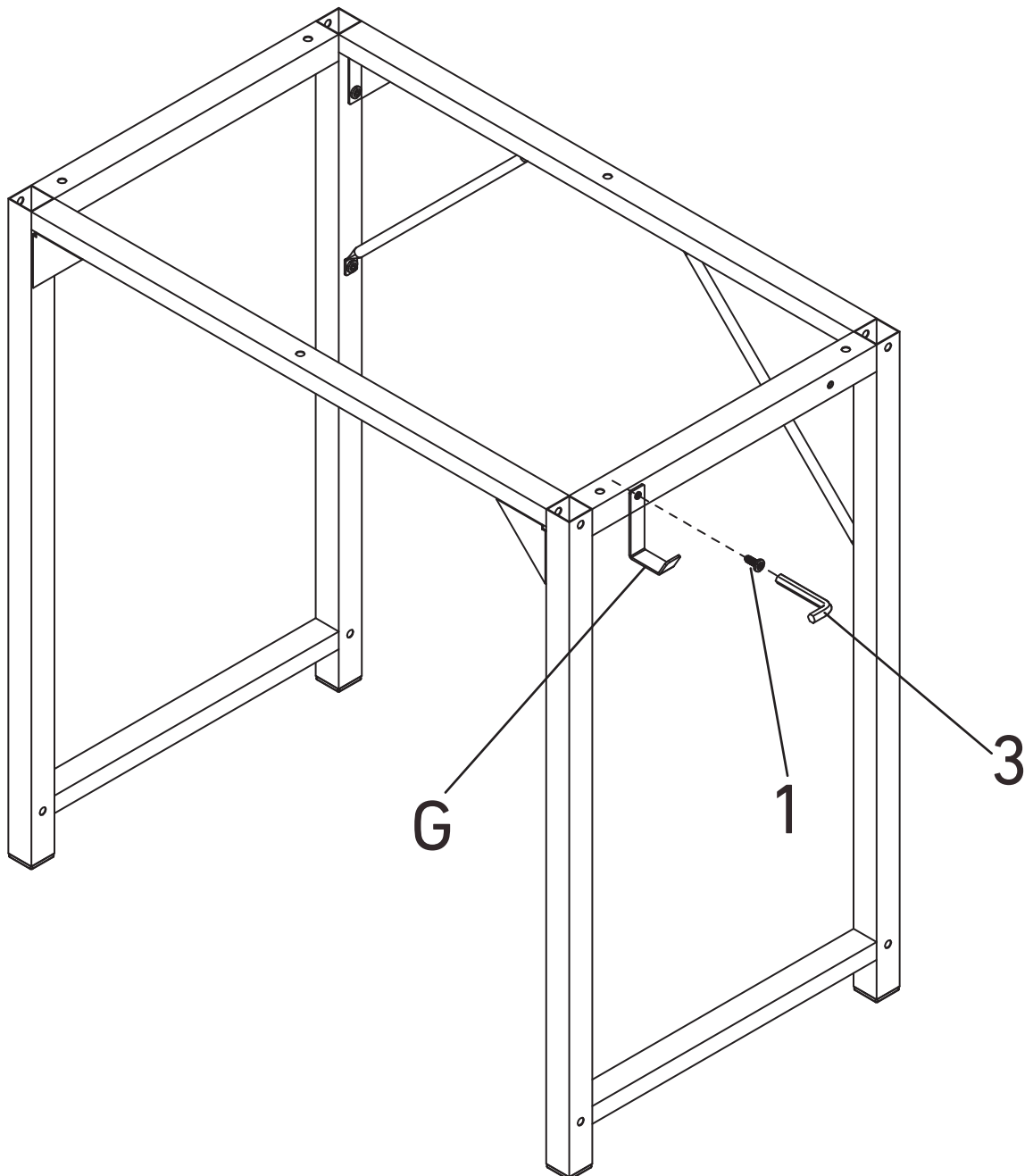
	
M6X16mm	4mm
1x4	3



Attach Bar **(F)*2** to the Legs **(A&D)** and Crossbar **(C)** with Screws **(1)*4**.



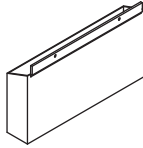
Step 6

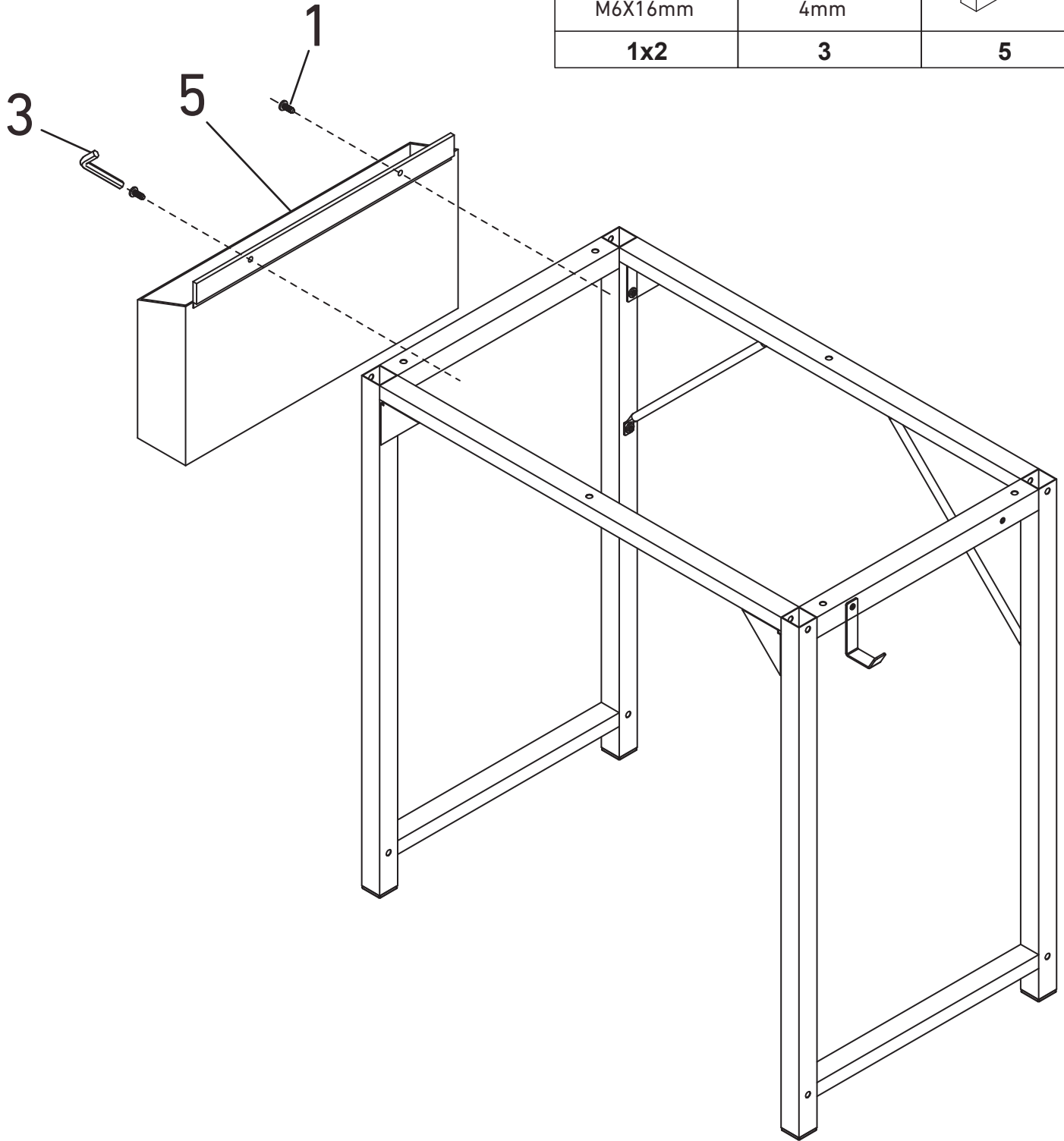
	
M6X16mm	4mm
1	3



Attach Hook (**G**) to the Leg (**D**) with Screw (**1**)*1.

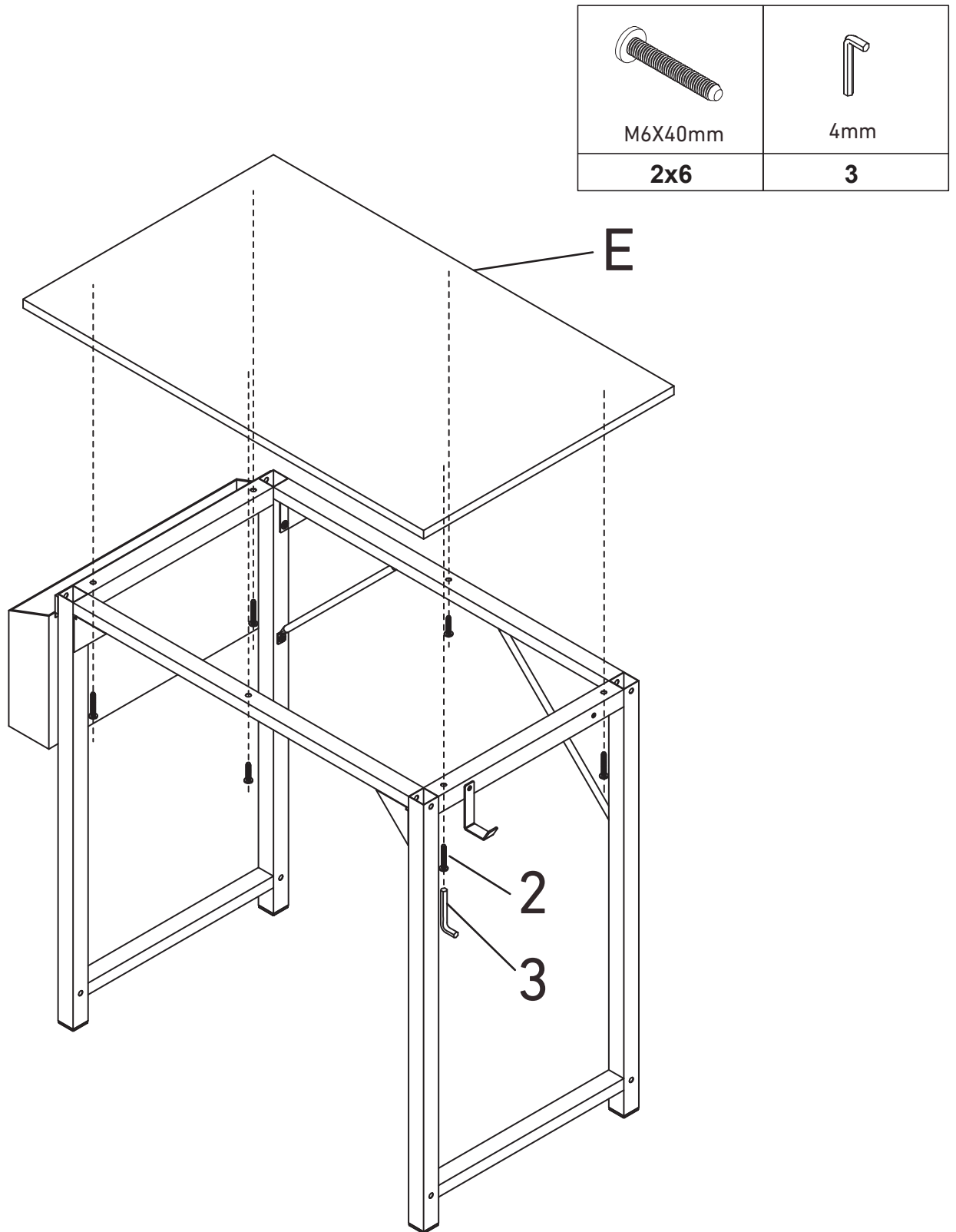
Step 7

		
M6X16mm	4mm	
1x2	3	5

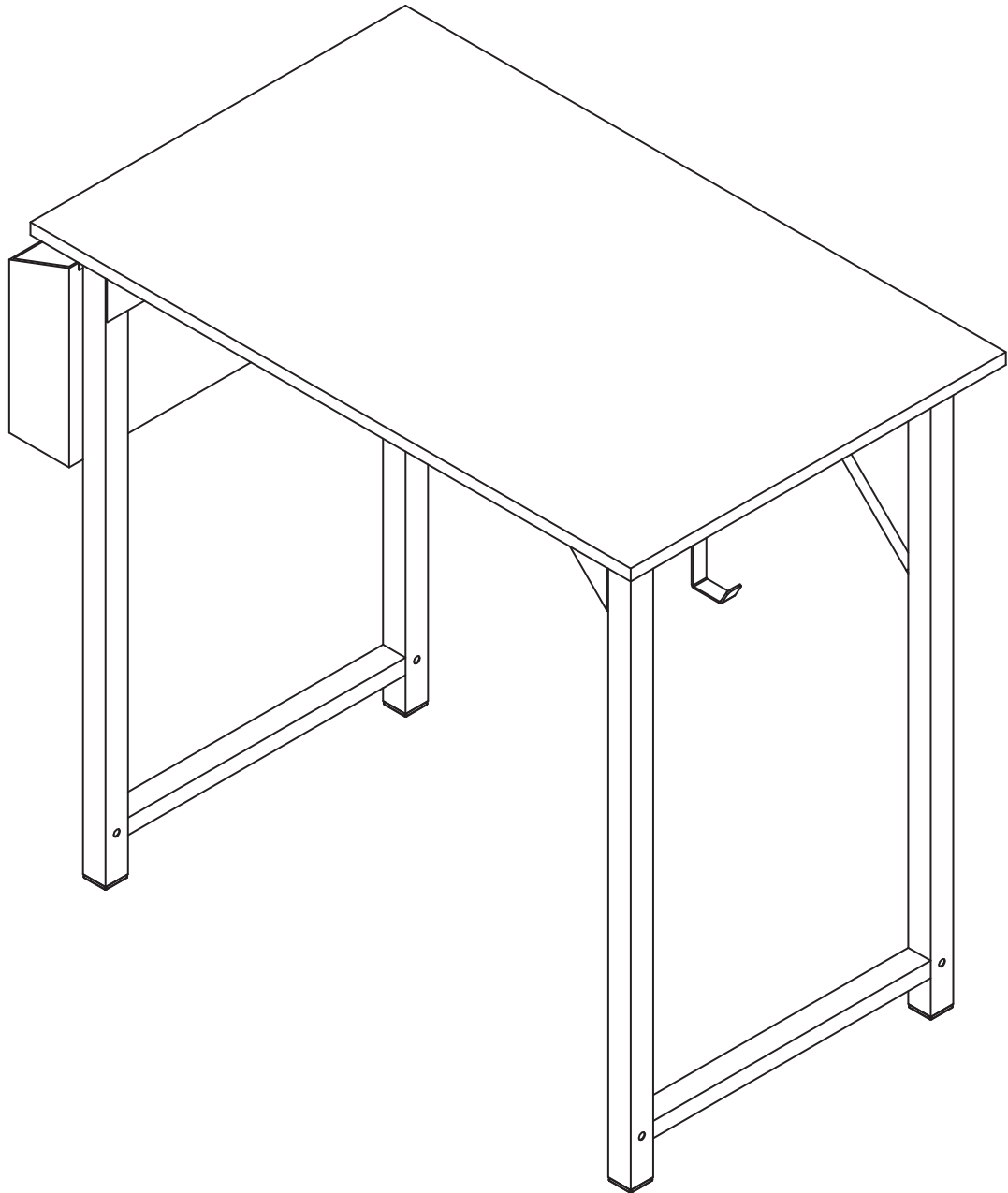


Attach Felt Bag (5) to the Leg (A) with Screws (1)*2.

Step 8



Attach Board **(E)** to the Legs **(A&D)** and Crossbars **(B&C)** with Screws **(2)*6**.



Technical Support

(909)637-7665 | (909)637-7593

Other Info

HJ-Customer-Service@outlook.com

Thank you for choosing this product. We strive to provide you with the best quality products and service in the industry. Should you have any issues, please don't hesitate to contact us.