

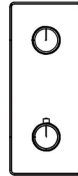
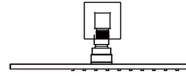
**AQUA
GALLERY**

User's Manual



INSTALLATION INSTRUCTIONS

Installation Manual



IAPMO RESEARCH AND TESTING, INC.
500 East Philadelphia Street, Ontario, California 91761-2816 • USA • 909-473-4100 • 909-473-4244 • www.iapmo.com

CERTIFICATE OF LISTING

Effective Date: December 2019 Rev. 1/26/2020 Void After: December 2026
Product: Flamingo Series Showerheads Plate No. 10263

Issued To: Kwikol Group, Inc.
Kwikol Group, Inc.
Kwikol Group, Inc.
Kwikol Group, Inc.
Kwikol Group, Inc.

Identification: Flamingo shall be marked with manufacturer's name or trademark, a statement "See use with water in accessible locations only". The product shall also bear the UPC® certification mark. Markings shall be by means of either a permanent mark on the product, a label on the product or a tag attached to the product.

Characteristics: Flamingo series showerheads manufactured in various sizes, lengths and metal and finishes for use in cold water applications that consist of an showerhead, which may or may not have an spray nozzle spray. Components are to be installed for use in accessible locations only. To be installed in accordance with the manufacturer's literature, and the latest edition of the Uniform Plumbing Code and National Plumbing Code of Canada.

Provision listed on this certificate has been tested by an IAPMO R&T recognized laboratory. This certification has been granted based upon the following information:

Tom Volting *Ron Ching*

IAPMO RESEARCH AND TESTING, INC.
500 East Philadelphia Street, Ontario, California 91761-2816 • USA • 909-473-4100 • 909-473-4244 • www.iapmo.com

CERTIFICATE OF LISTING

Effective Date: December 2019 Rev. 1/26/2020 Void After: December 2026
Product: Flamingo Shower Fittings Plate No. 10263

Issued To: Kwikol Group, Inc.
Kwikol Group, Inc.
Kwikol Group, Inc.
Kwikol Group, Inc.
Kwikol Group, Inc.

Identification: Flamingo single fitting showerheads shall be marked with the manufacturer's registered name, trademark, or other mark or, in the case of private labeling, the name, trademark or other mark of the customer for whom the fitting was manufactured. The marking shall be accompanied by use of a permanent mark or by placing a permanent label on the product. Markings on plastic single fittings shall be visible after installation.

Characteristics: Single-handle, single-control, and automatic temperature mixing back and shower valves shall have identifiable temperature control markings in which the markings are indicated by words "Hotter", "Warmer", "Cooler", etc., by numbers, or graphically.

Provision listed on this certificate has been tested by an IAPMO R&T recognized laboratory. This certification has been granted based upon the following information:

Tom Volting *Ron Ching*

IAPMO RESEARCH AND TESTING, INC.
500 East Philadelphia Street, Ontario, California 91761-2816 • USA • 909-473-4100 • 909-473-4244 • www.iapmo.com

CERTIFICATE OF LISTING

Effective Date: March 2019 Rev. 1/26/2020 Void After: March 2024
Product: Flamingo Shower Fittings - Components Plate No. 10263

Issued To: Kwikol Group, Inc.
Kwikol Group, Inc.
Kwikol Group, Inc.
Kwikol Group, Inc.
Kwikol Group, Inc.

Identification: Each fitting component shall have permanent legible markings to identify the manufacturer. This marking shall be the trade name, trademark, or other mark known to identify the manufacturer. The marking shall also bear all other markings required for the material. The marking shall be legible even after installation. The marking shall also bear the UPC® certification mark along with the term "CERTIFIED" above.

Characteristics: Flamingo Shower fitting components to be installed in accordance with the manufacturer's literature and the requirements of the latest edition of the Uniform Plumbing Code.

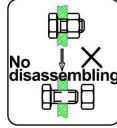
Provision listed on this certificate has been tested by an IAPMO R&T recognized laboratory. This certification has been granted based upon the laboratory's compliance to the applicable requirements of ISO/IEC 17025.

Provision are in compliance with the following code(s):
Uniform Plumbing Code (UPC)

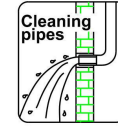
Tom Volting *Ron Ching*

BEFORE INSTALLATION

This product has been inspected and debugged by the factory to the best condition. Please do not disassemble and assemble it yourself.



Before installing the product, please be sure to remove sundries and sludge from the water pipe to prevent sundries from blocking the product.

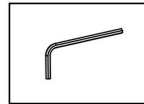


1. Please read the manual firstly before installation;
2. Please check the condition of all the parts, and the installation tools are not included, please prepare it by yourself;
3. User manual includes matters needing attention during installation, please keep it properly;
4. The size chart in the manual is for reference only, please refer to the actual product that you receive.

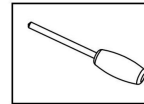
Recommend Tools :



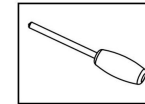
PTFE Tape



Hex Key

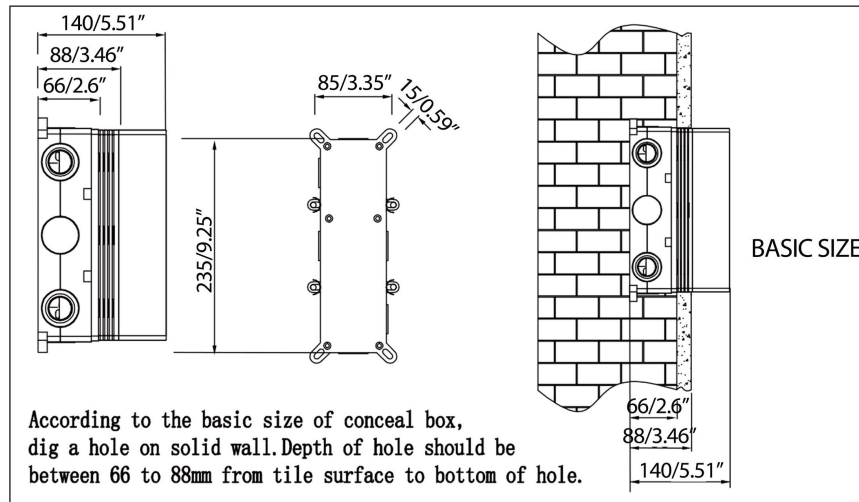


Slotted Screwdriver

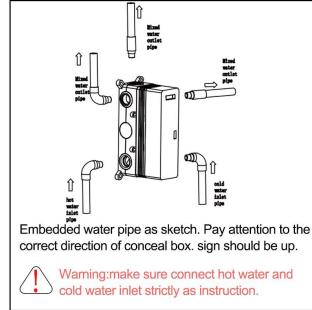


Phillips Screwdriver


1. The sundries at the connection area must be cleared before installation to avoid blockage or leakage;
2. Connect the inlet pipe correctly as shown in the figure;
3. The maximum temperature of hot water is not higher than 80°C (176°F);
4. Please contact seller for consultation if you need to install in other method.

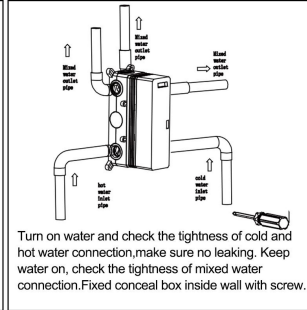


INSTALLATION STEPS

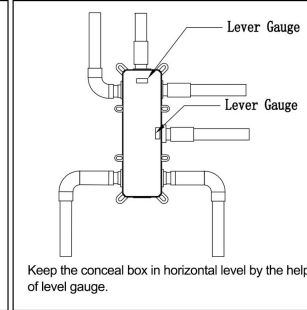


Embedded water pipe as sketch. Pay attention to the correct direction of conceal box, sign should be up.

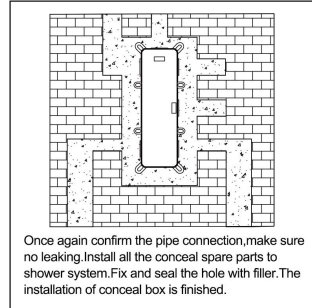
 **Warning:** make sure connect hot water and cold water inlet strictly as instruction.



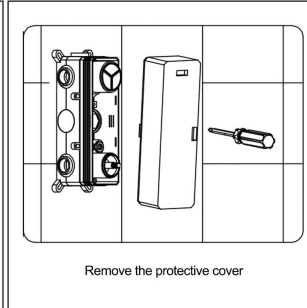
Turn on water and check the tightness of cold and hot water connection, make sure no leaking. Keep water on, check the tightness of mixed water connection. Fixed conceal box inside wall with screw.



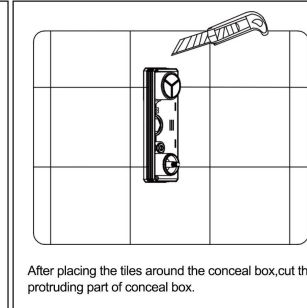
Keep the conceal box in horizontal level by the help of level gauge.



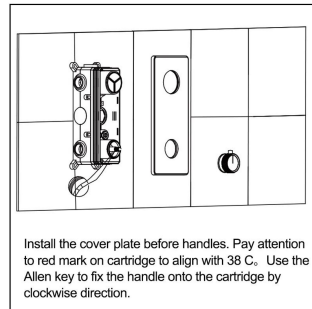
Once again confirm the pipe connection, make sure no leaking. Install all the conceal spare parts to shower system. Fix and seal the hole with filler. The installation of conceal box is finished.



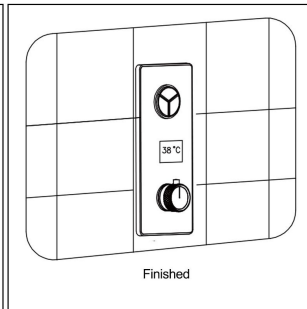
Remove the protective cover



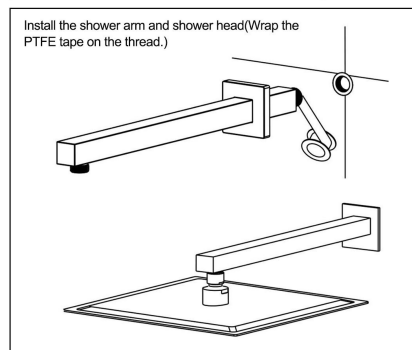
After placing the tiles around the conceal box, cut the protruding part of conceal box.



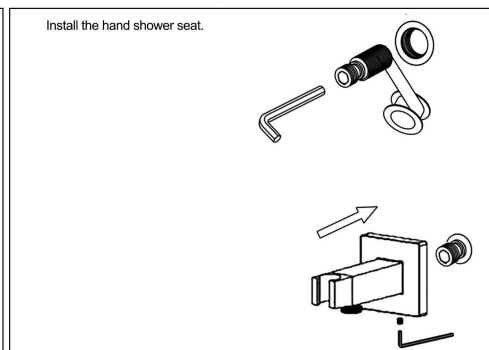
Install the cover plate before handles. Pay attention to red mark on cartridge to align with 38 C. Use the Allen key to fix the handle onto the cartridge by clockwise direction.



Finished

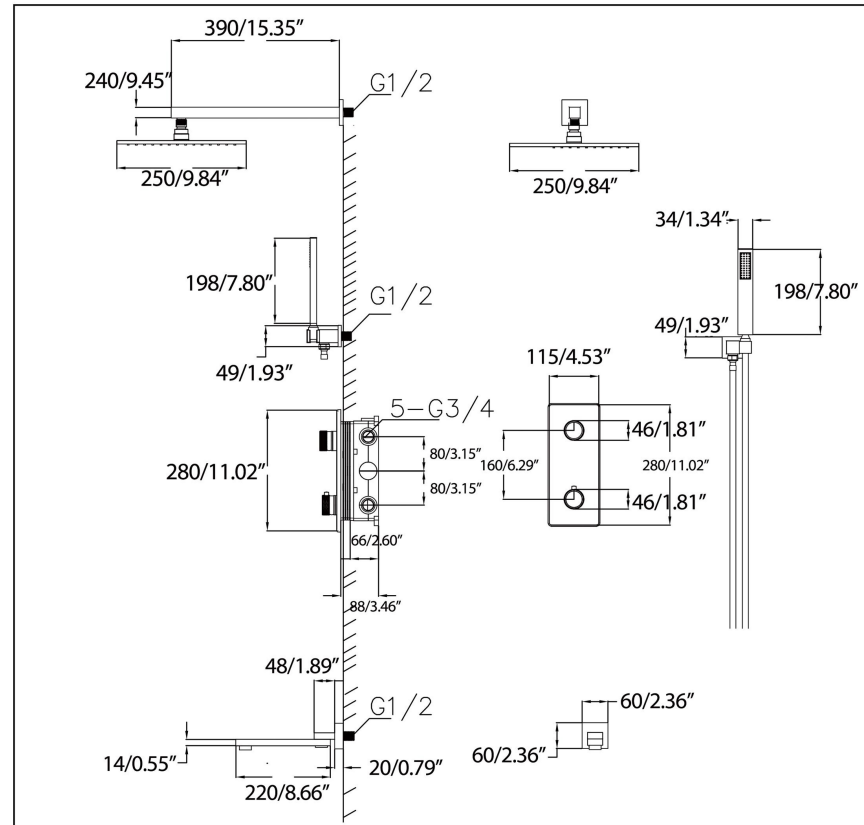


Install the shower arm and shower head (Wrap the PTFE tape on the thread.)



Install the hand shower seat.

INSTALLATION DIMENSION



CLEANING CARE

In order to keep the appearance of product clean, bright and good performance, please take care of the product as follows;

1. Rinse with water only and dry with soft cotton cloth;
2. Use mild liquid and colorless glass cleaner to remove surface dirt and scale film, or use polish without abrasive effect;
3. Do not use abrasive detergent, polish, emery cloth, paper towel or scraper, etc;
4. Do not use acid cleaner, or cleaner and soap with insoluble gran etc;
5. In the process of use, mud may accumulate in the bubbler and make the water flow slow. The bubbler can be unscrewed, rinsed with water, and then installed back in place.



Please feel free to contact us if you have any questions. We will help to solve the issue together with you.



**AQUA
GALLERY**