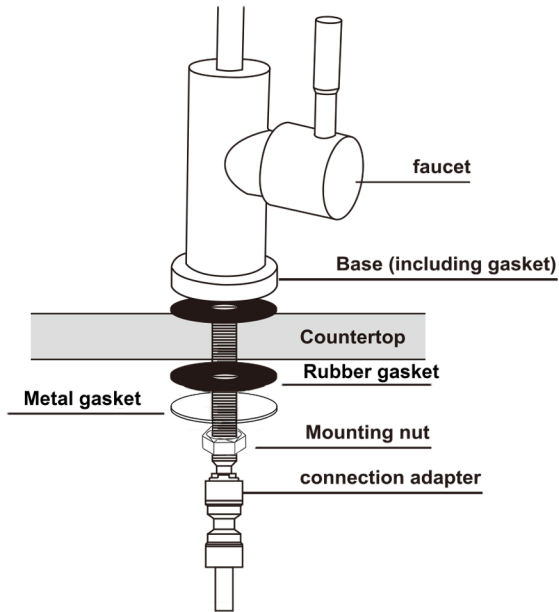
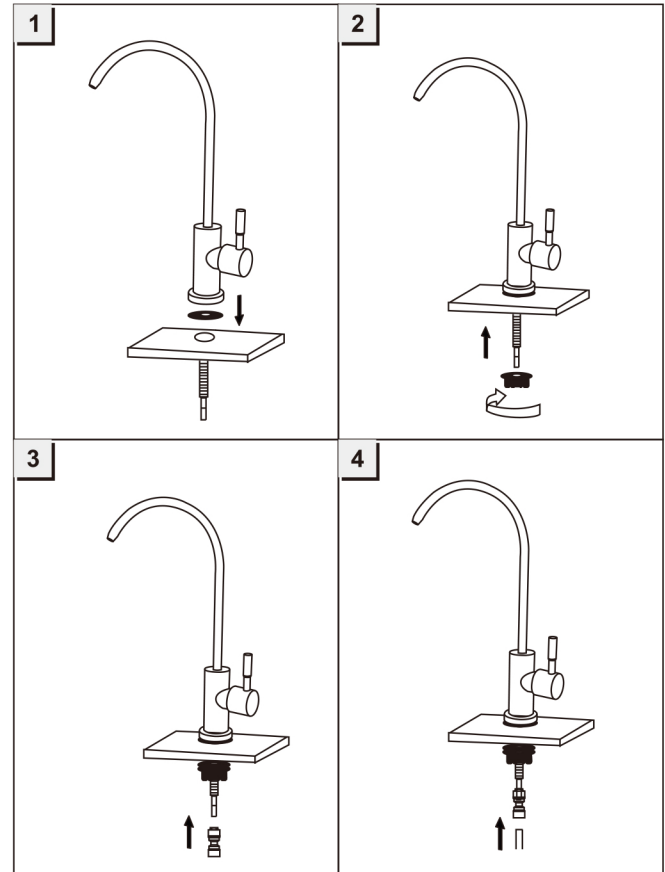


Installation sequence



AFTER-SALES WARRANTY COMMITMENT

Our products have been approved at the factory. If there are some transportation problems, damage, or missing parts, product problems, or installation problems, please contact our after-sales service for the first time, we can help you solve the problem. Your satisfaction is our unlimited power, thank you for your recognition of our products,
Service mailbox: aibikaservice@gmail.com



MAINTENANCE AND MAINTENANCE

To keep the faucet surface clean and bright, please clean the faucet regularly or regularly:

- ✓ Always wash with water and dry the faucet with a soft cotton cloth;
- ✗ Do not use detergent or nylon brush with coarse particles such as decontamination powder or polishing powder. To avoid wear and tear;
- ✗ Do not use because acidic detergents can attack the coating. If using acid wash the tiles with detergent, and immediately wash the tiles and utensils thoroughly to avoid the detergent flows to the surface of the faucet and erodes the faucet plating;
- ✗ When pulling the faucet, do not pull the shower hose hard to avoid cracking the hose.



For extensive cleaning, please follow the procedure below:

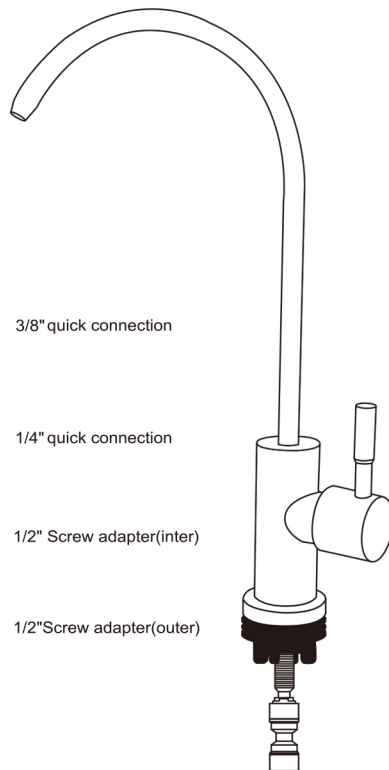
1. Use clear water and soft cloth to remove surface dirt and scale film as much as possible;
2. Use any of the following cleaning agents to remove surface dirt and scale film;
 - ✓ A mild liquid cleanser.
 - ✓ Colorless glass cleaner, powdered clear without grinding and completely soluble Conjunction (and mix as indicated).
 - ✓ A polishing solution that does not contain abrasion.
3. After the cleaning is completed, please remove all the cleaning agent with water and wipe it with a soft cotton cloth;
4. regularly remove the faucet bubbler, and clean and remove impurities, so as not to affect the water.

INSTALLATION PRECAUTIONS

1. After opening the product packaging, check the accessories listed in the "Product Accessories List" to check whether the parts are complete. If there is any defect, please contact our customer service immediately, we can help.
2. the main body of the faucet heart has been factory tested and adjusted, do not disassemble.
3. Whether the pre-installed inlet pipe connection is consistent with the inlet connector of this product.
4. Before installing the faucet, please be sure to remove the impurities and sludge in the pre-buried water pipe to avoid blockage and influence.
Water function!
5. After installation, please check whether the joints are tightly connected and the pipeline is leaking.
6. Because the faucet style is more, and the use and installation methods of the same type of faucet are basically the same, this manual only exemplifies the installation method, for reference only. If it does not match the actual object, please refer to the actual product.



CLEAN TAP INSTALLATION INSTRUCTIONS



1、 3/8" quick connection



2、 1/4" quick connection



3、 1/2" Screw adapter(inter)



4、 1/2" Screw adapter(outer)

Thank you for your order!