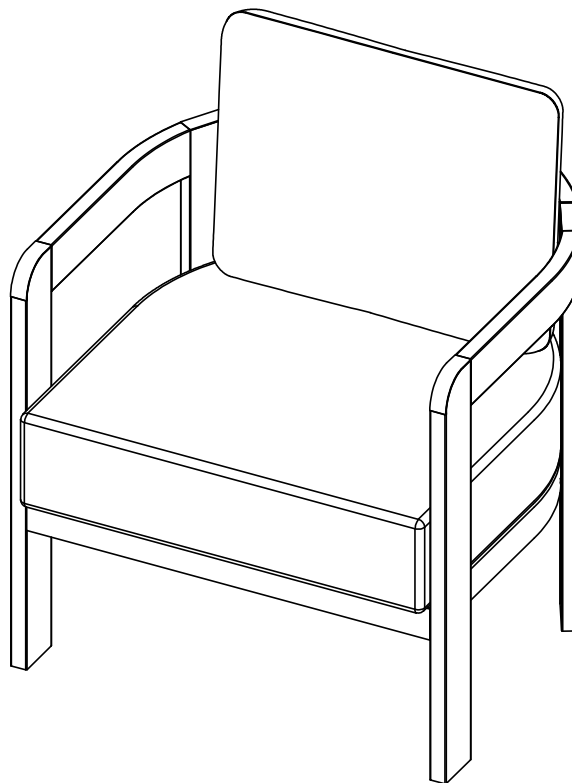




**DEEP SEATING CHAIR**  
Assembly & Care instructions  
Model number: RS25106-S5-Chair

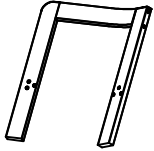
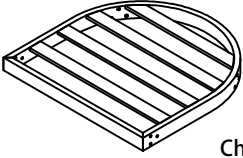
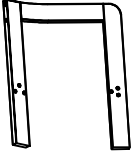

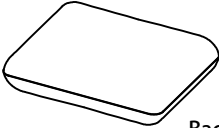
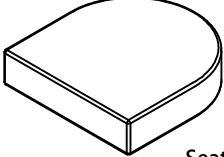
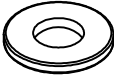






## Warning

1. Pls confirm all parts correct before assemble. 2pcs chair in one box.
2. Do not tighten fastening fully until assembly is completed.
3. **DO NOT USE POWER TOOLS.** Power tools can overtighten screws and strip threads.
4. Please read & retain this manual for future reference .
5. Maximum Load: Chair 350lbs .

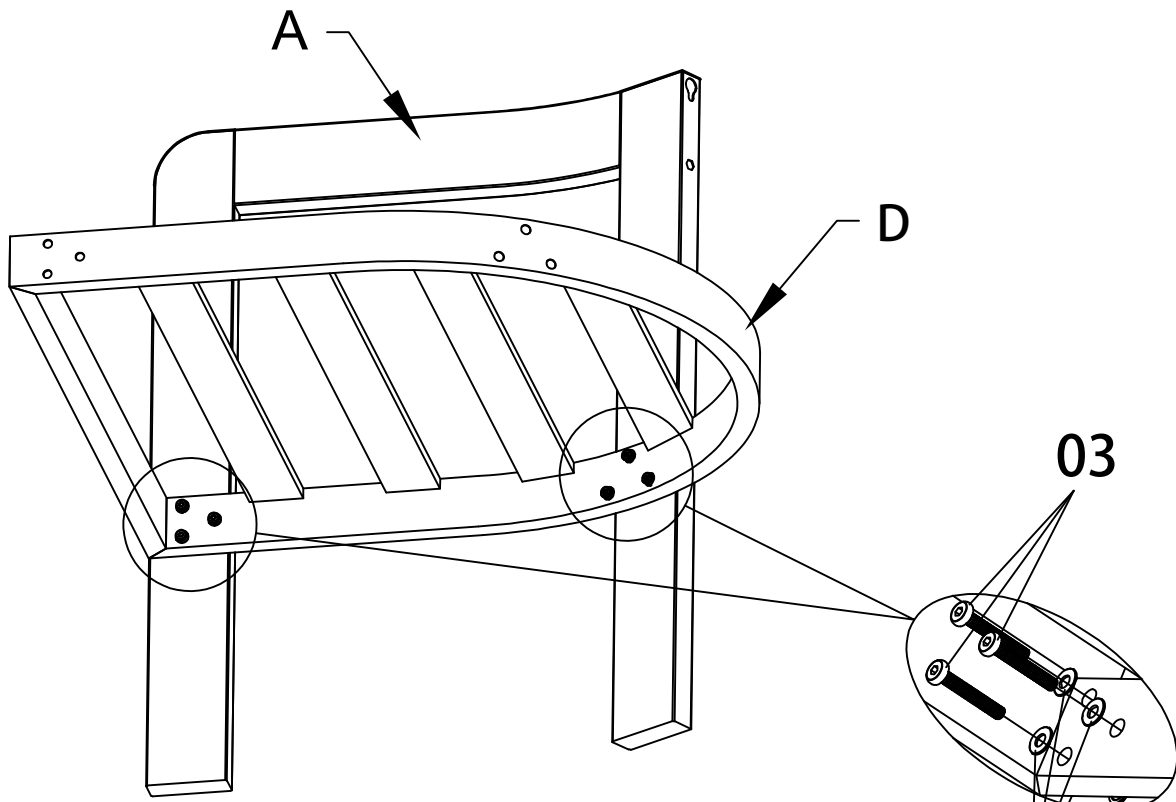
If you have any questions, feel free to contact us [info@comlax-intl.com](mailto:info@comlax-intl.com)

# PARTS LIST

CODE	PARTS	QTY.	CODE	PARTS	QTY.
A	 Armrest-R	2pcs	D	 Chair Seat	2pcs
B	 Armrest-L	2pcs	E	 Chair Back	2pcs
C	 Back Cushion	2pcs	F	 Seat Cushion	2pcs
02	 Washer Dia6x14	28pcs	01	 Bolt M6x15L	4pcs
03	 Bolt M6x40L	24pcs	xx	 Allen Key	1pcs
05	 Bolt Cap (M6)	28pcs			

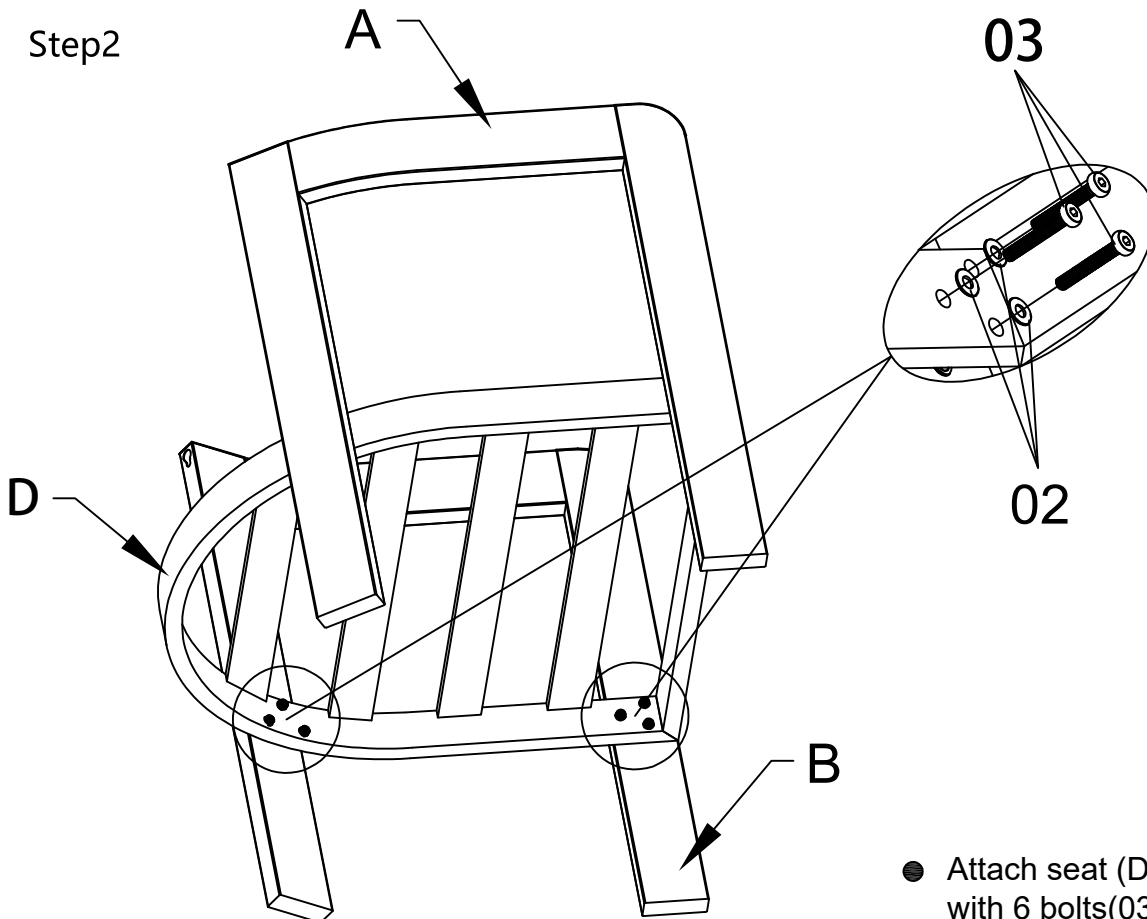
Sofa Step1

Attention: Do not fully tighten until assembly is completed!



- Attach seat (D) to armrest-R (A) with 6 bolts(03) and 6 washers(02) using Allen Key (XX) as shown.

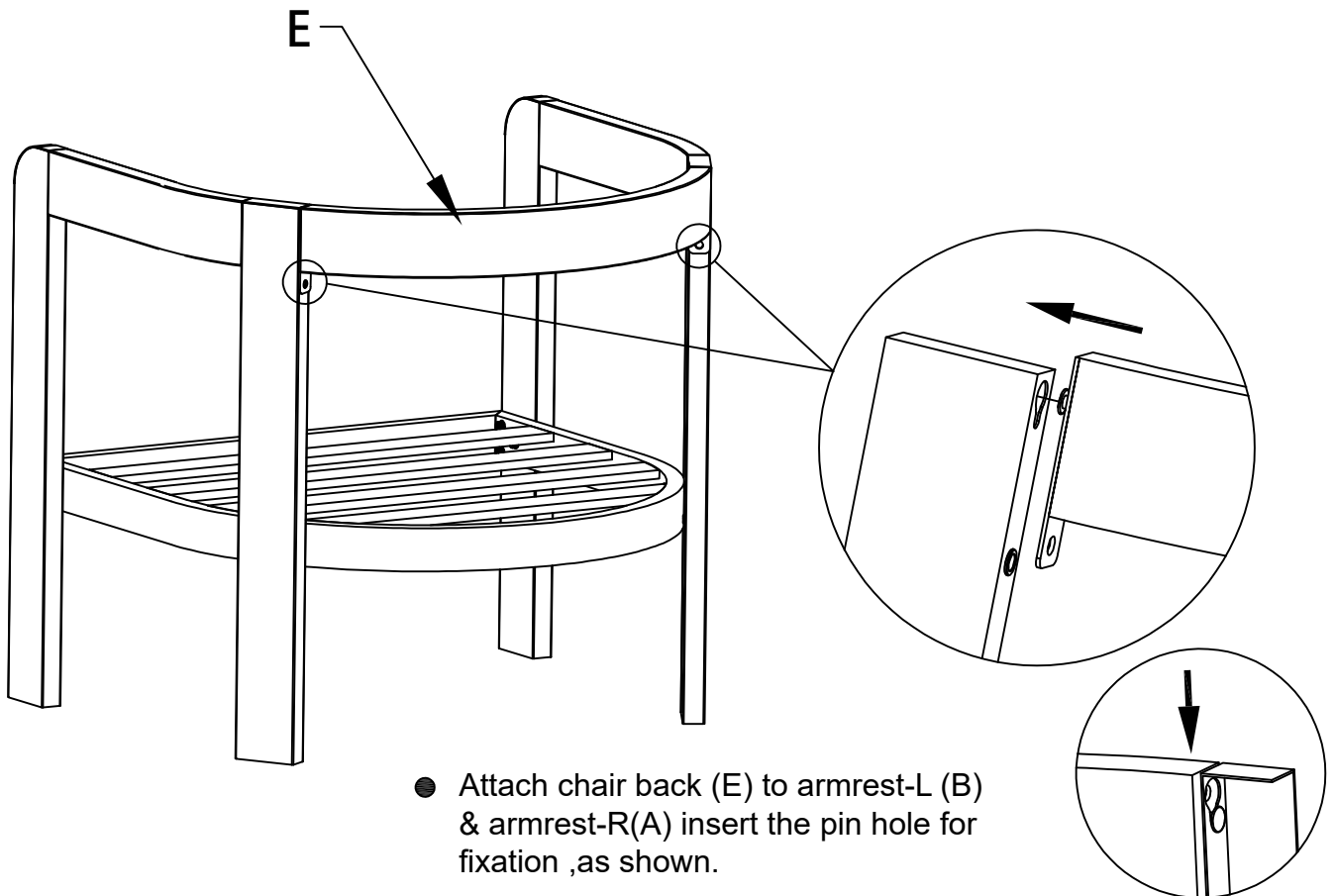
Step2



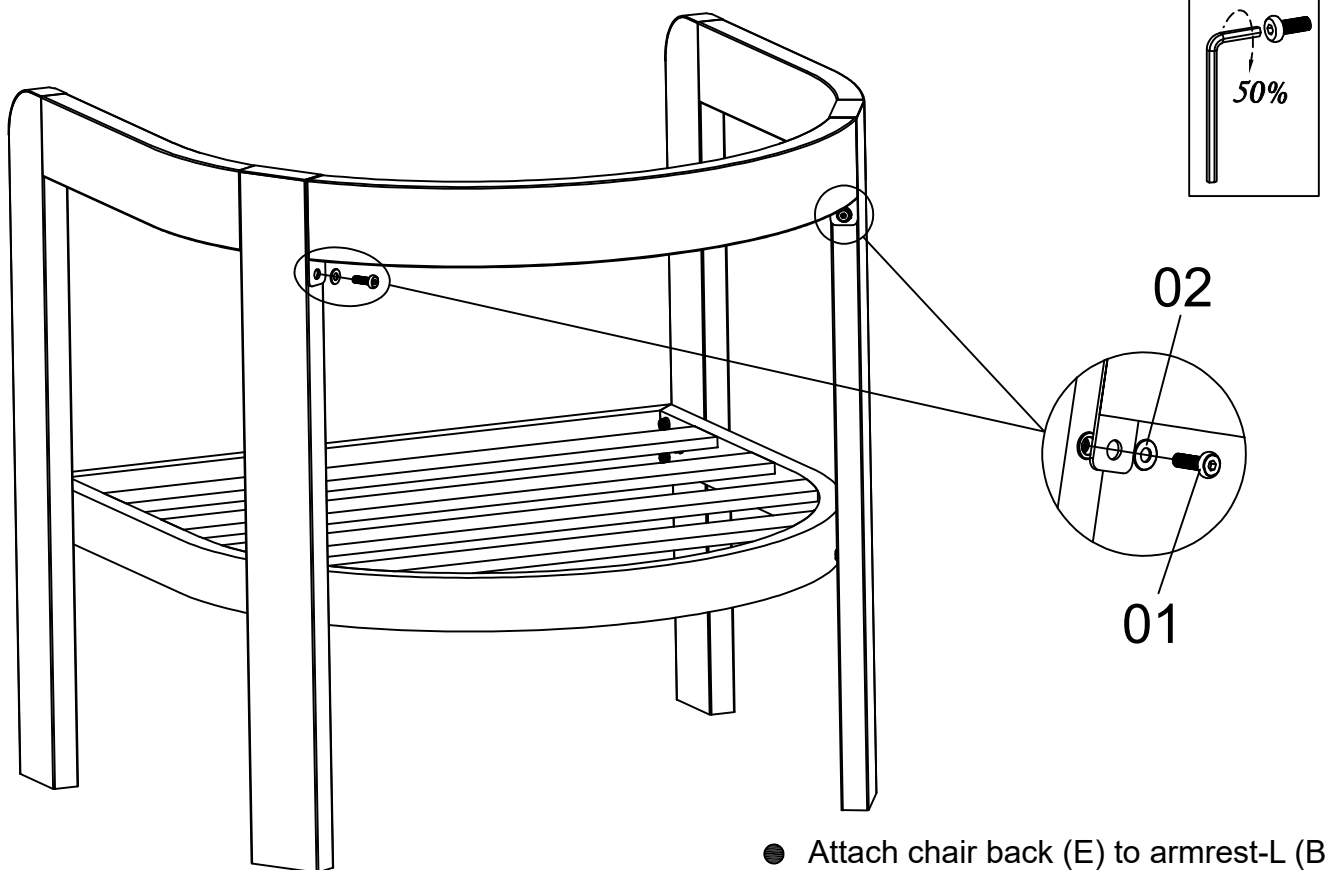
- Attach seat (D) to armrest-L (B) with 6 bolts(03) and 6 washers(02) using Allen Key (XX) as shown.

### Step3

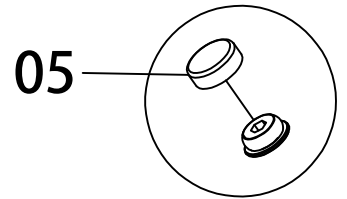
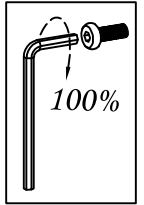
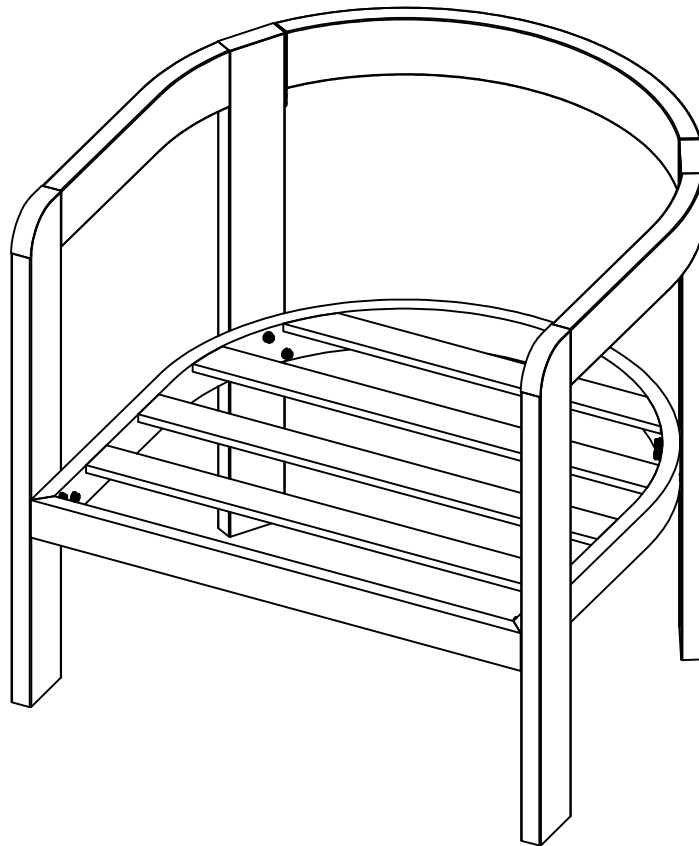
Attention: Do not fully tighten until assembly is completed!



### Step4

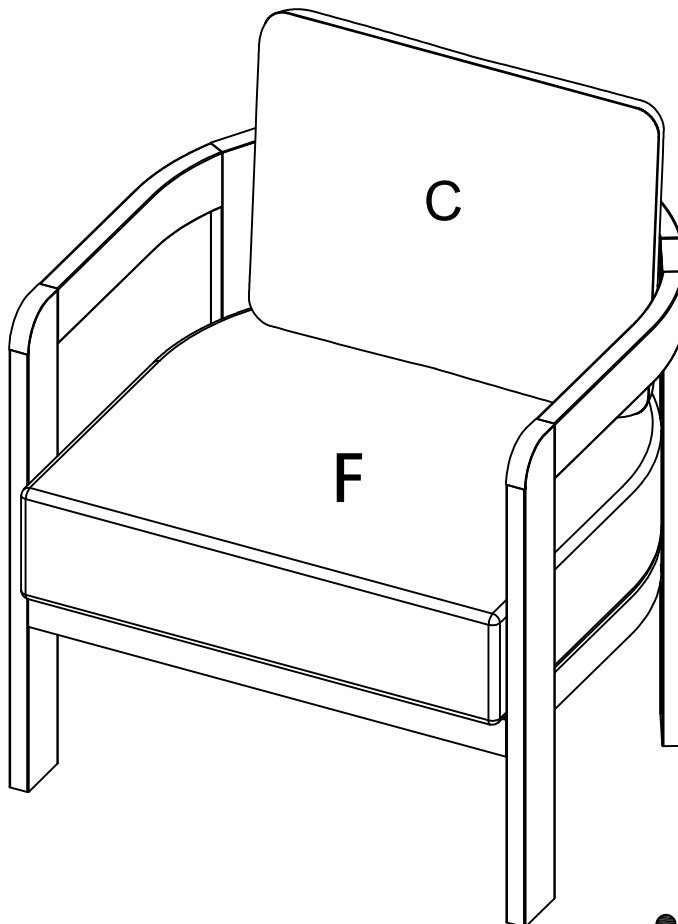


## Step5



- Once all bolts have been inserted and started, then tighten all bolts and put on all bolt caps (05).

## Step6



- Place seat cushion (F) and back cushion (C) as shown.



Thanks for choosing Comlax field collection.  
If you have any questions, inquires or  
suggestions, pls contact us directly.  
Always best services stand by.  
Customer service email: [info@comlax-intl.com](mailto:info@comlax-intl.com)  
Attention: Products returned directly without  
permission will be rejected!