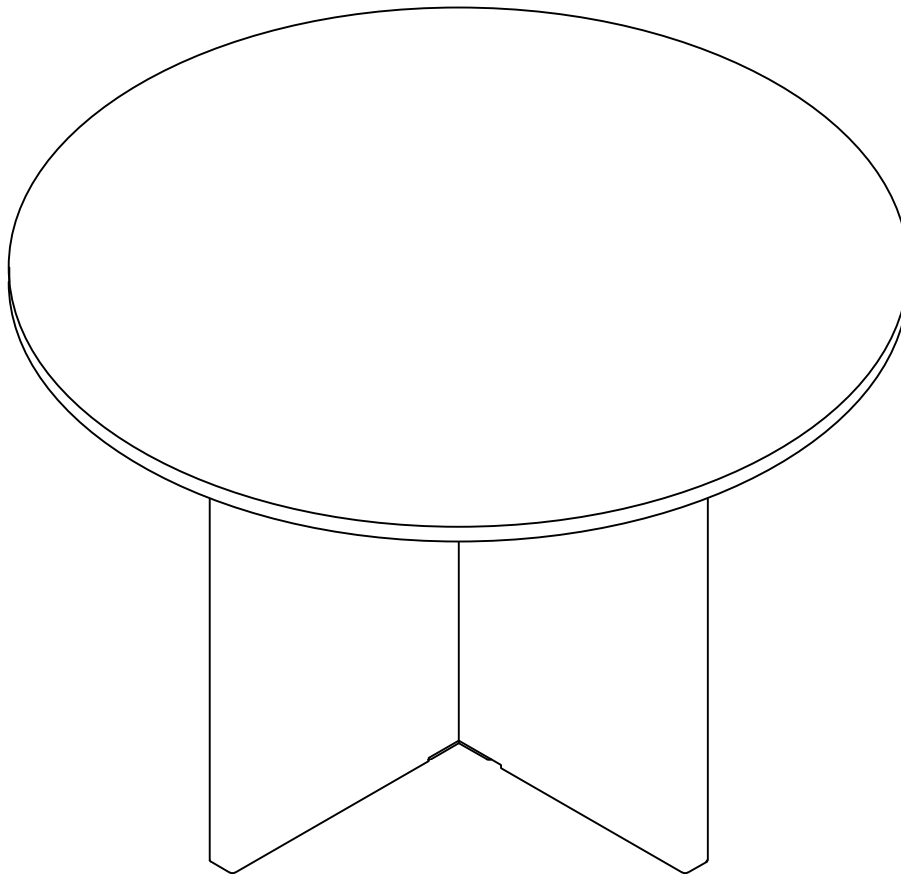


ASSEMBLY INSTRUCTIONS

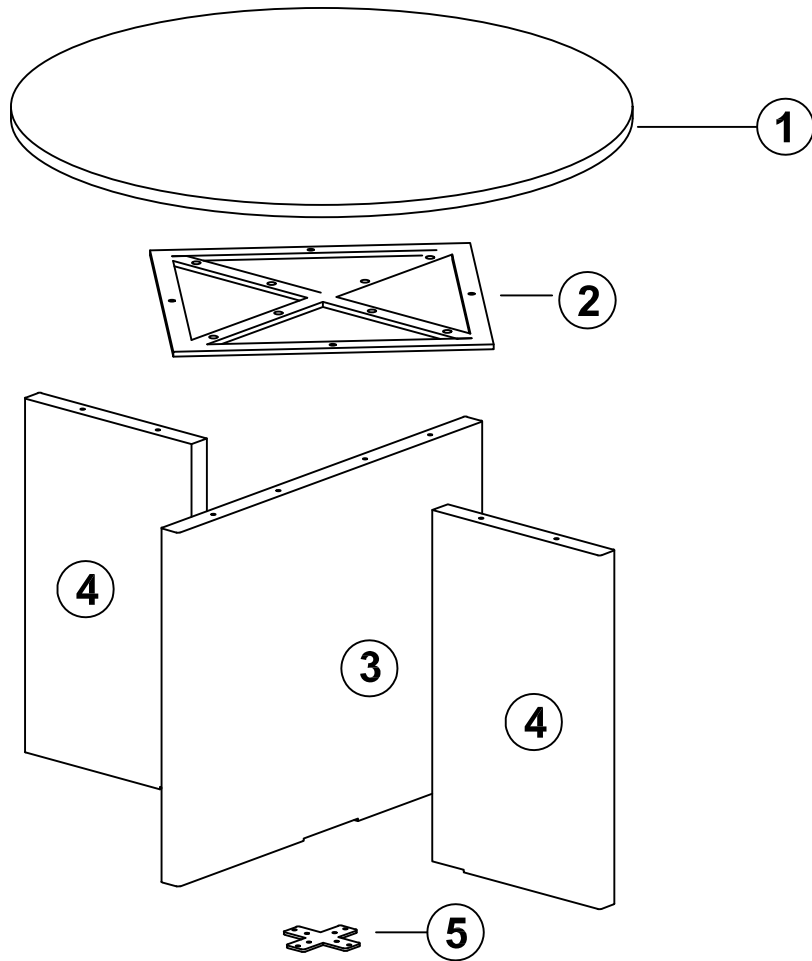
DINING TABLE





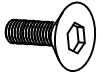

WF312275
WF312285

IMPORTANT NOTE:

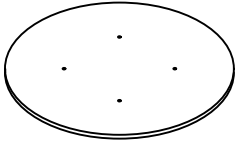
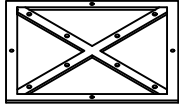
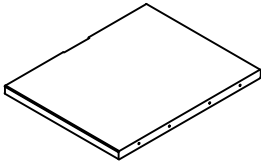
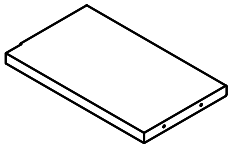
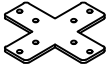
1. Place all parts on a clean and smooth surface such as a rug or carpet to avoid the parts from being scratched.
2. Before you begin, kindly follow the assembly instructions step by step.
3. Do not tighten all screws and bolts until the table is fully set-up.
4. Please do not return to store, contact the seller if you have any troubles with this product.



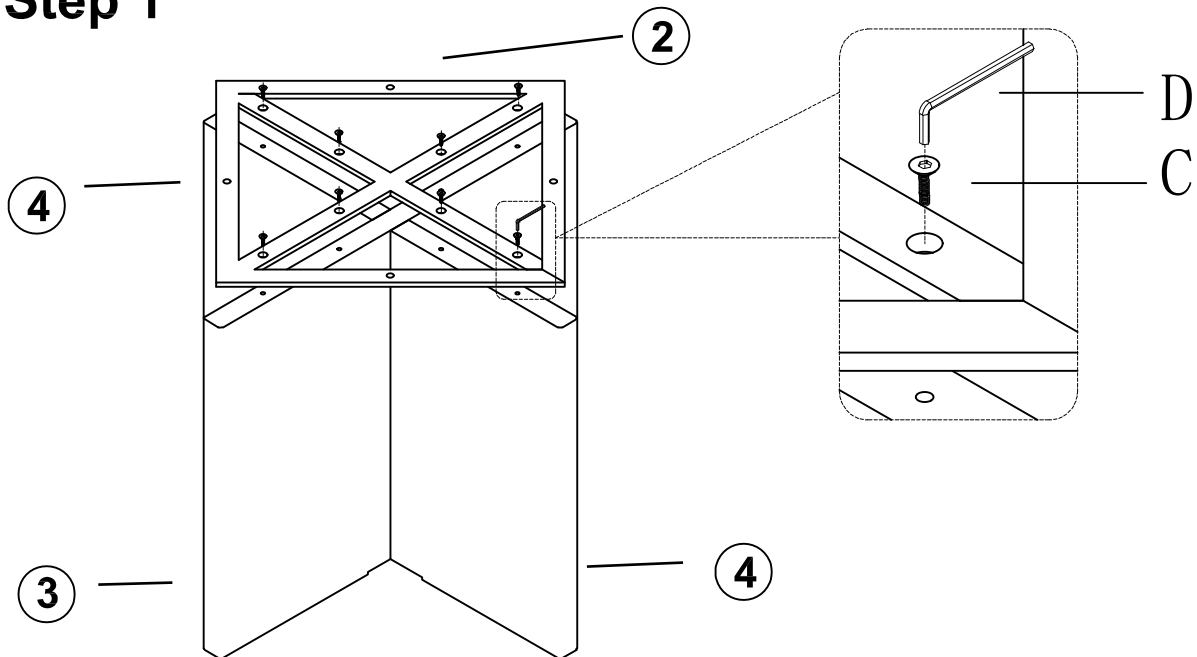
Hardware List For One Table

<p>A</p>  <p>M8*25mm</p>	<p>B</p>  <p>ø22mm</p>
<p>BOLT (4pcs)</p>	<p>FLAT WASHER (4pcs)</p>
<p>C</p>  <p>M8*20mm</p>	<p>D</p>  <p>5mm</p>
<p>BOLT (16pcs)</p>	<p>ALLEN KEY (1pc)</p>

Part List For One Table

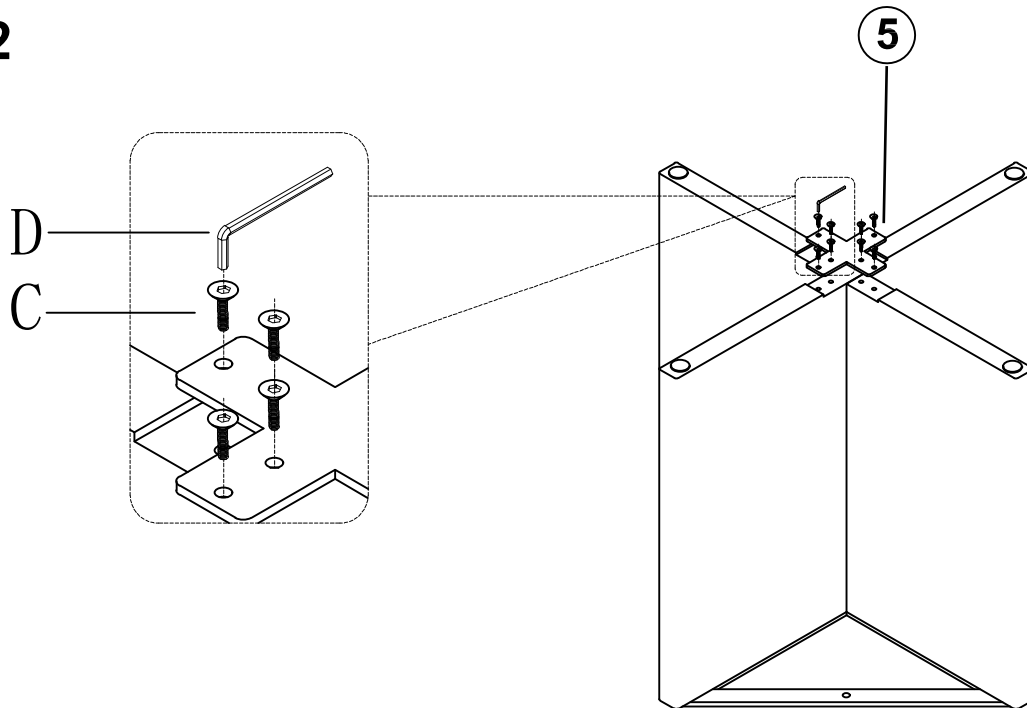
<p>①</p> 	<p>②</p> 
<p>TABLE TOP (1pc)</p>	<p>SHORT SIDE STRETCHER (1pc)</p>
<p>③</p> 	<p>④</p> 
<p>MIDDLE STRETCHER (1pc)</p>	<p>LONG SIDE STRETCHER (2pcs)</p>
<p>⑤</p> 	
<p>LEG (1pcs)</p>	

Step 1



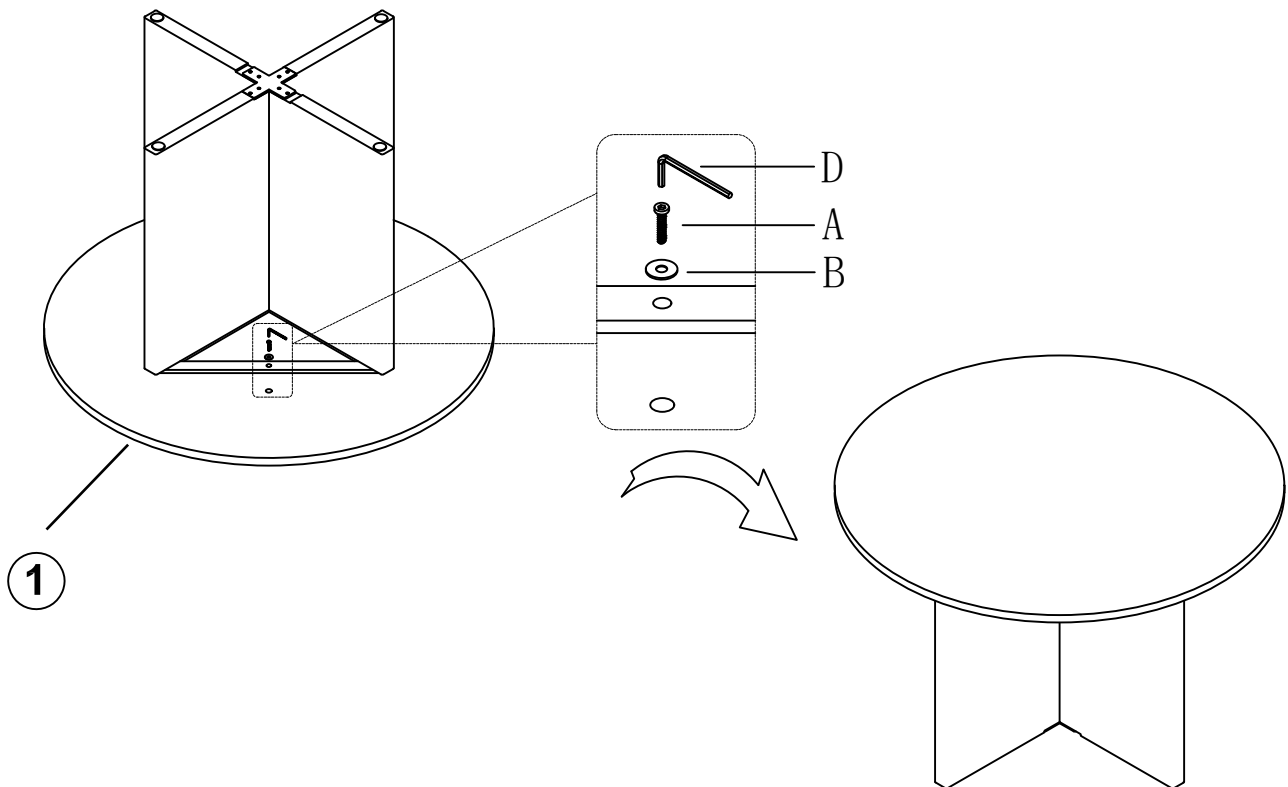
C	 M8*20mm	8pcs	D	 5mm	1pc
---	---	------	---	---	-----




Step 2



C		M8*20mm	8pcs	D		5mm	1pc
---	---	---------	------	---	--	-----	-----

Step 3



A		M8*25mm	4pcs	B		ø22mm	4pcs
D		5mm	1pc				