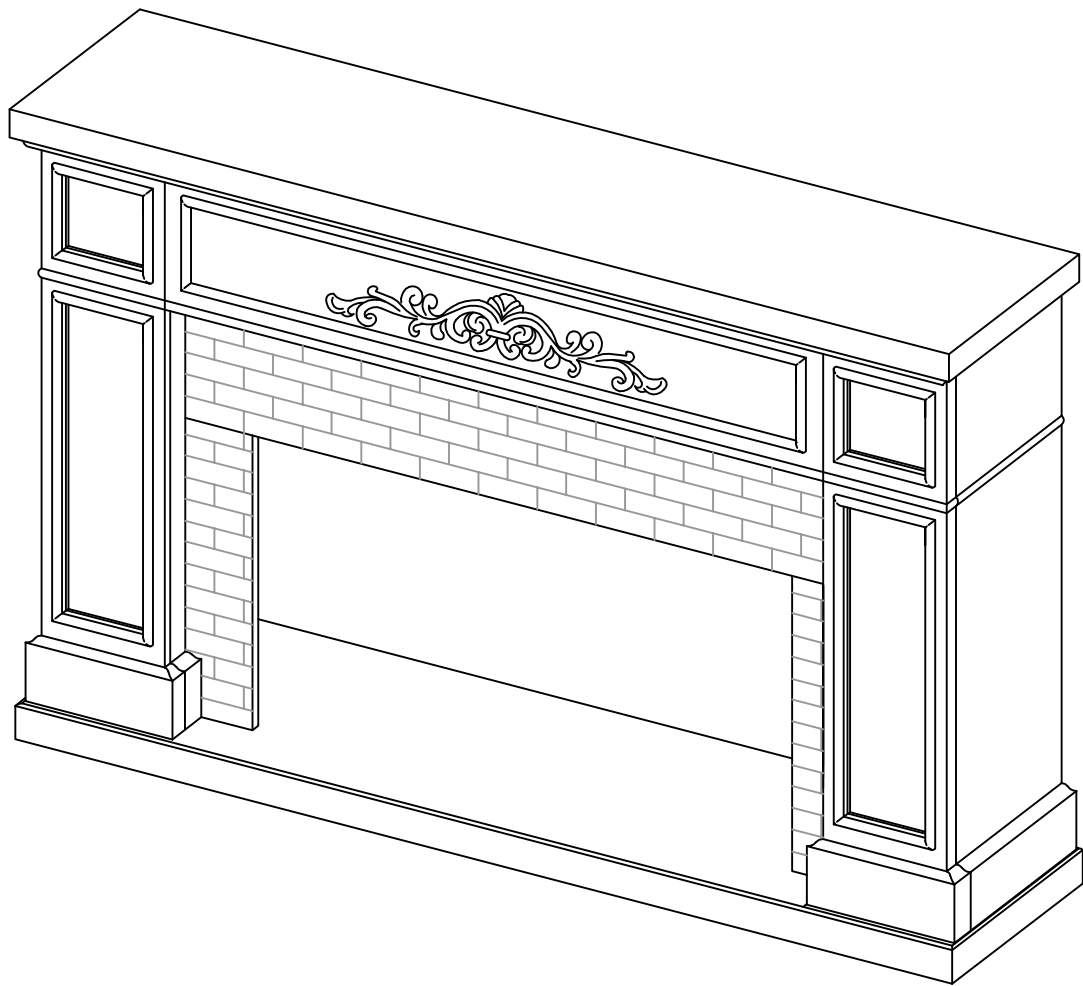


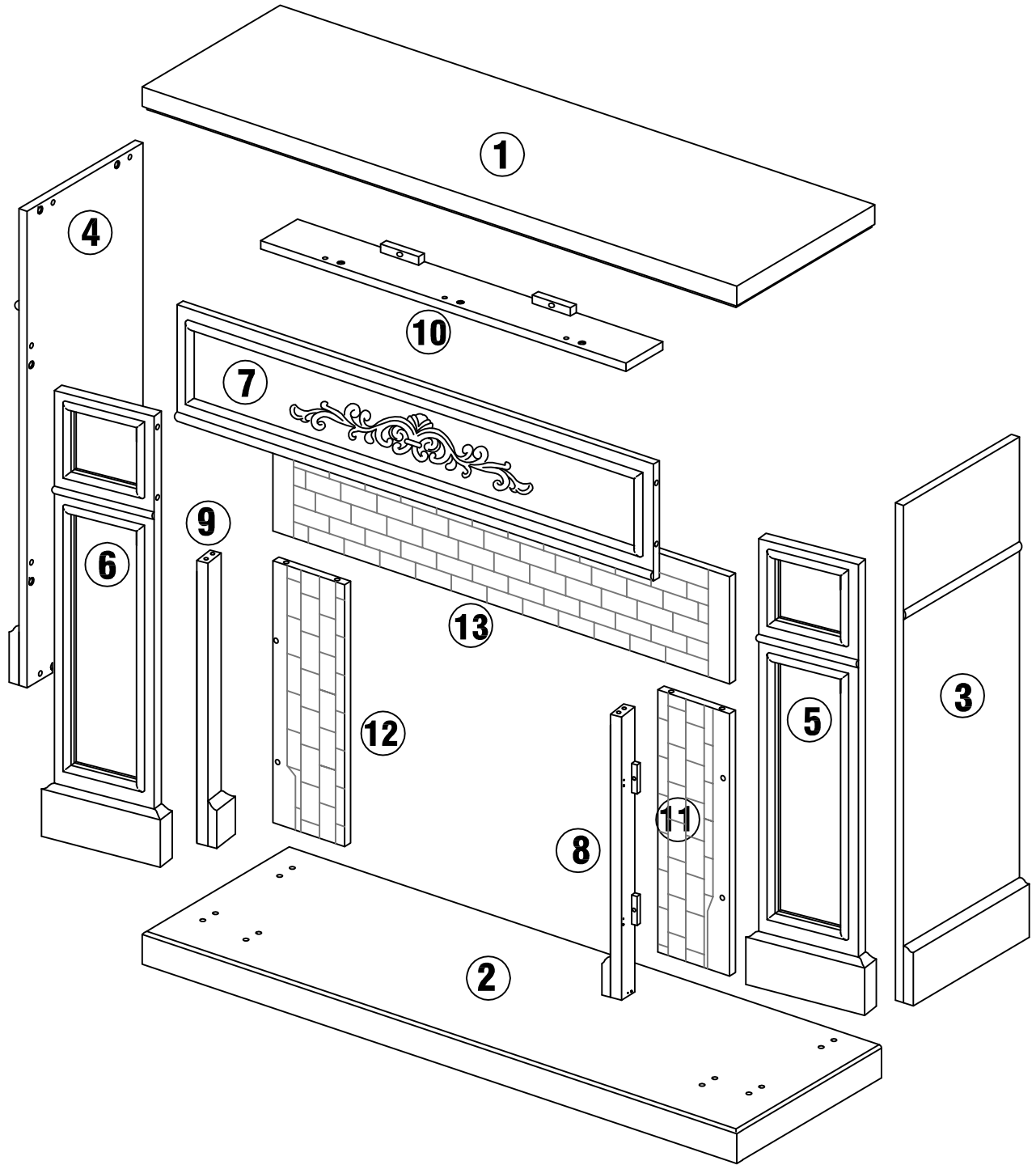
ASSEMBLY INSTRUCTIONS

ITEM: SKU220294



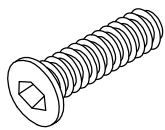
Email:ServiceSupportAMZ@126.com

PACKAGE INCLUDE



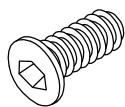
PACKAGE CONTENT

Ø6X25MM

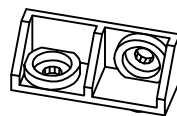


A **6X+1**

Ø6X15MM

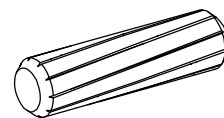


B **48X+1**



C **24X+1**

Ø8X30MM

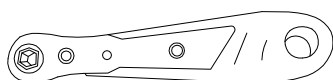


D **16X+1**

50MM*4MM

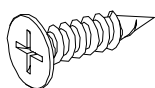


110MM

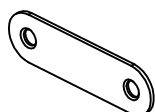


E **1X**

Ø3.5X15MM

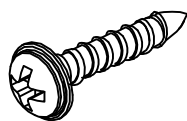


F **8X**



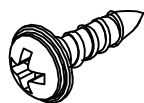
G **4X**

Ø3.5X50MM



H **2X**

Ø3.5X25MM



I **2X**



J **2X**

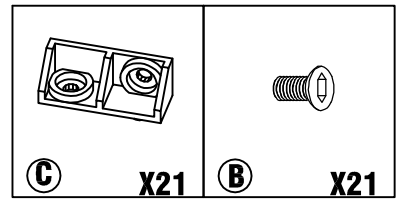


K **4X**



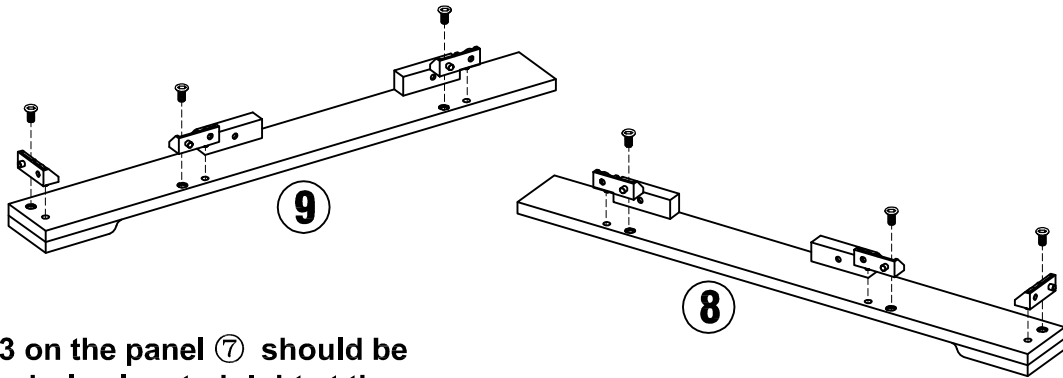
L **2X**

STEP 1

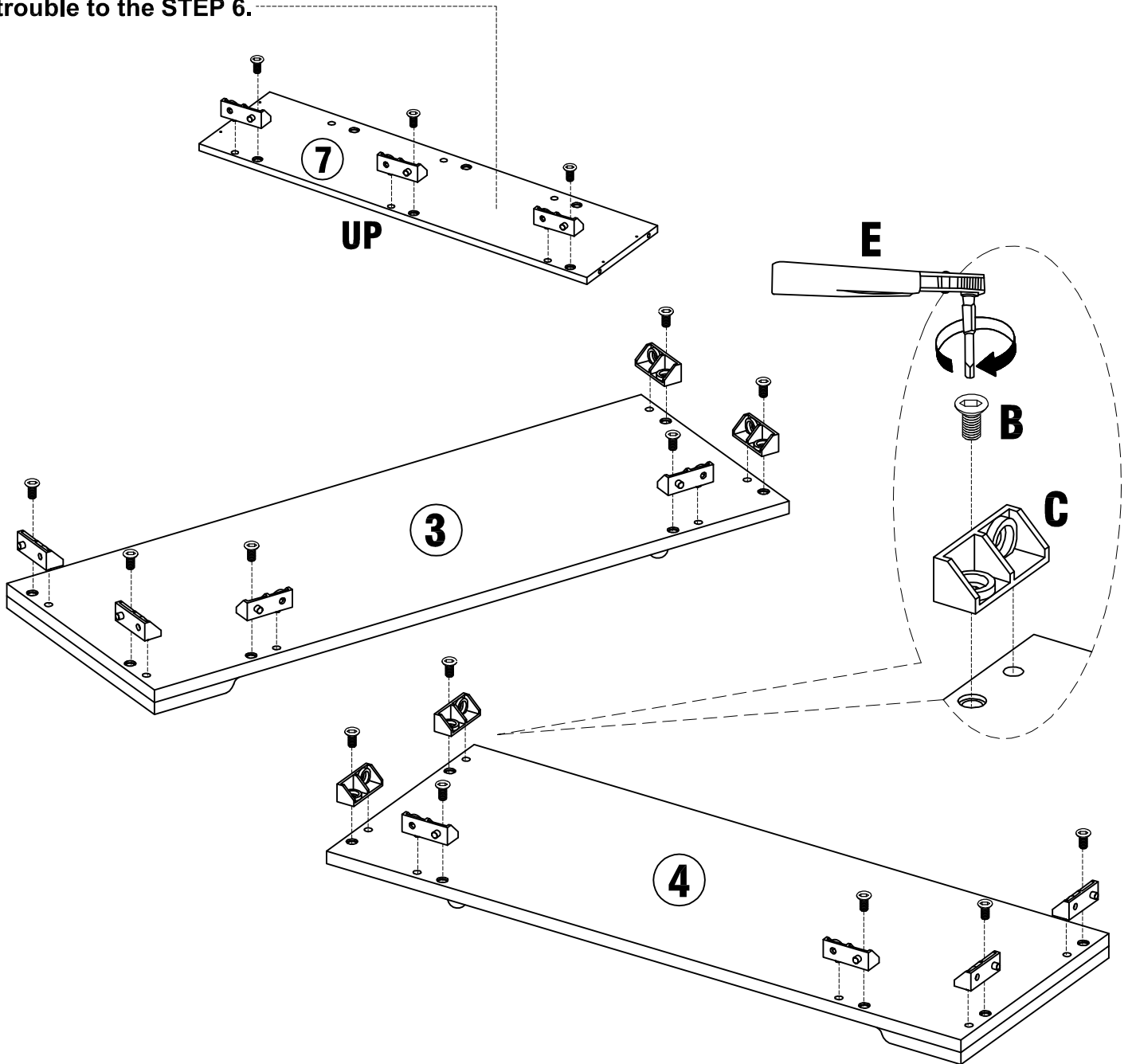


We provide a mini wrench for you to assemble the stand easier.

-Use screw B to lock the C on the panel ⑨, ⑧, ⑦, ③ and ④ as below shown

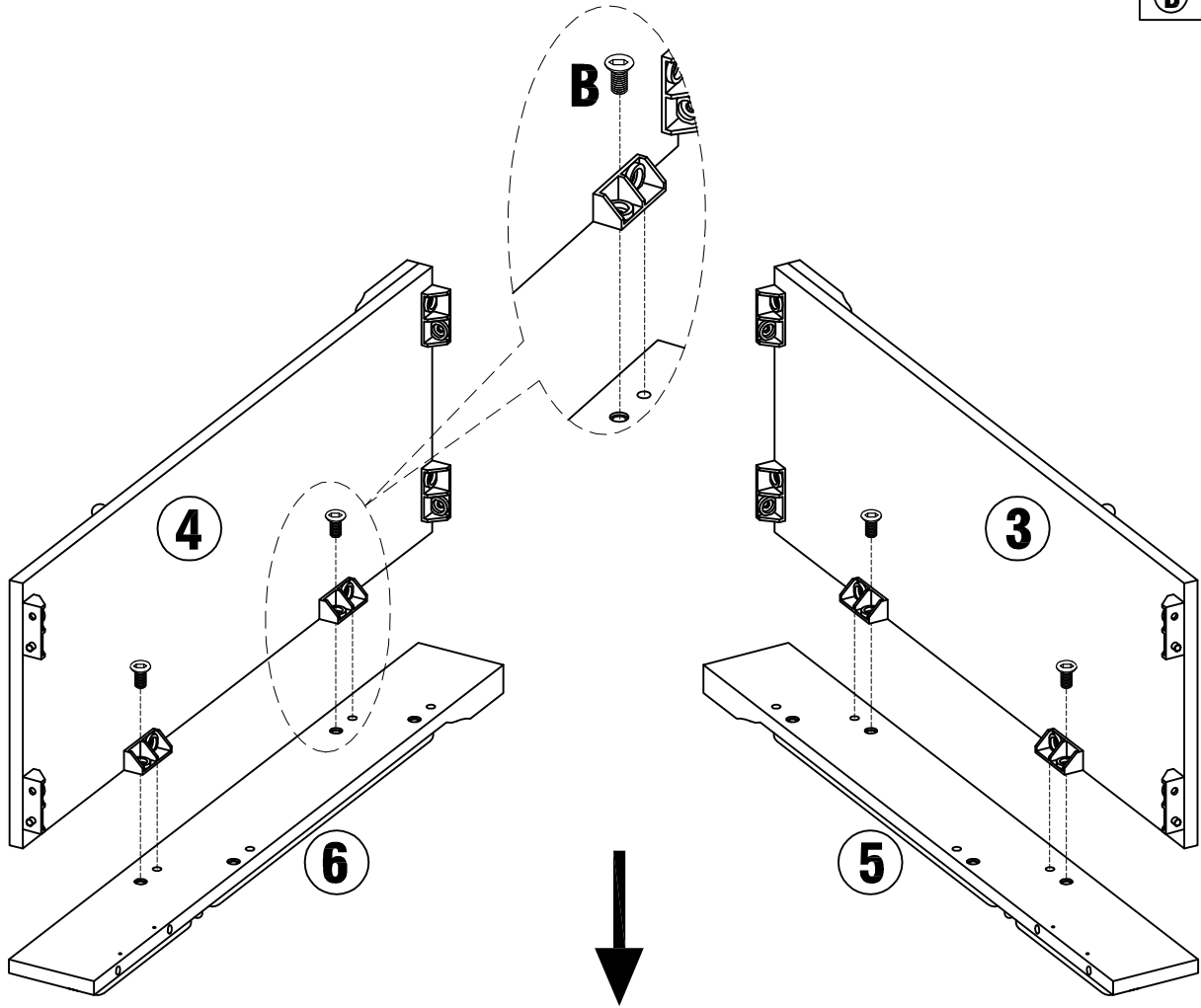
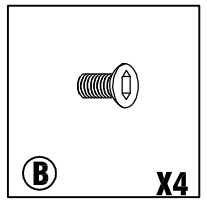


Attention: Cx3 on the panel ⑦ should be locked into the holes located right at the edge of the panel ⑦. Or it may cause trouble to the STEP 6.

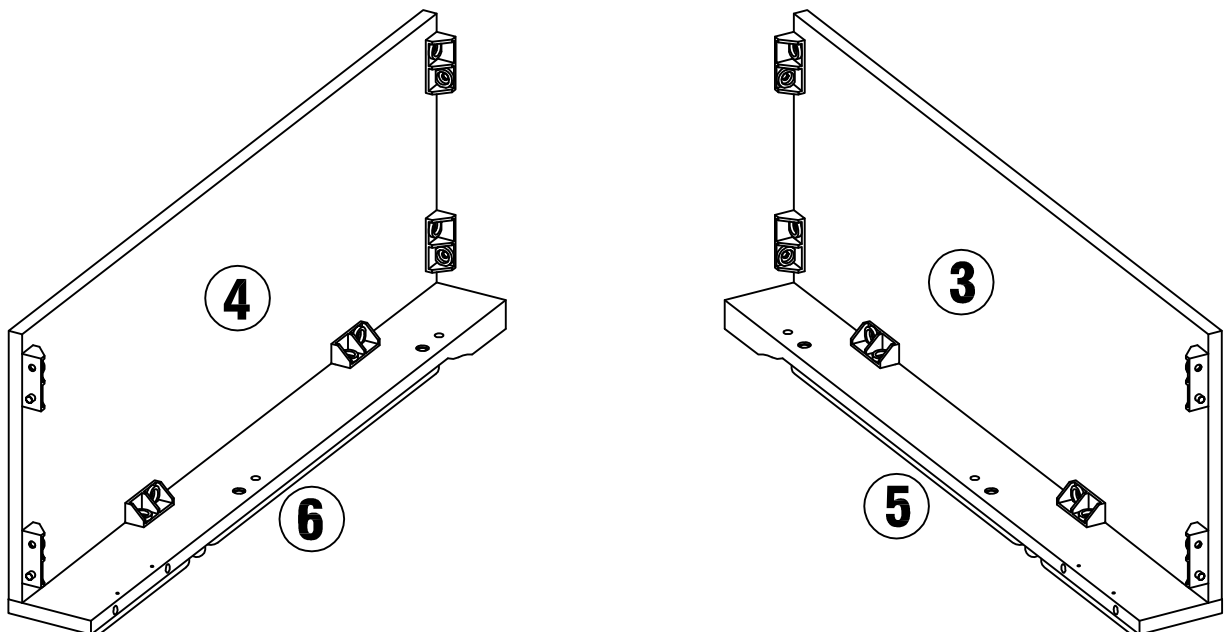


STEP 2

- Use screw Bx2 to lock the panel ④ with the panel ⑥ as below shown
- Use screw Bx2 to lock the panel ③ with the panel ⑤ as below shown



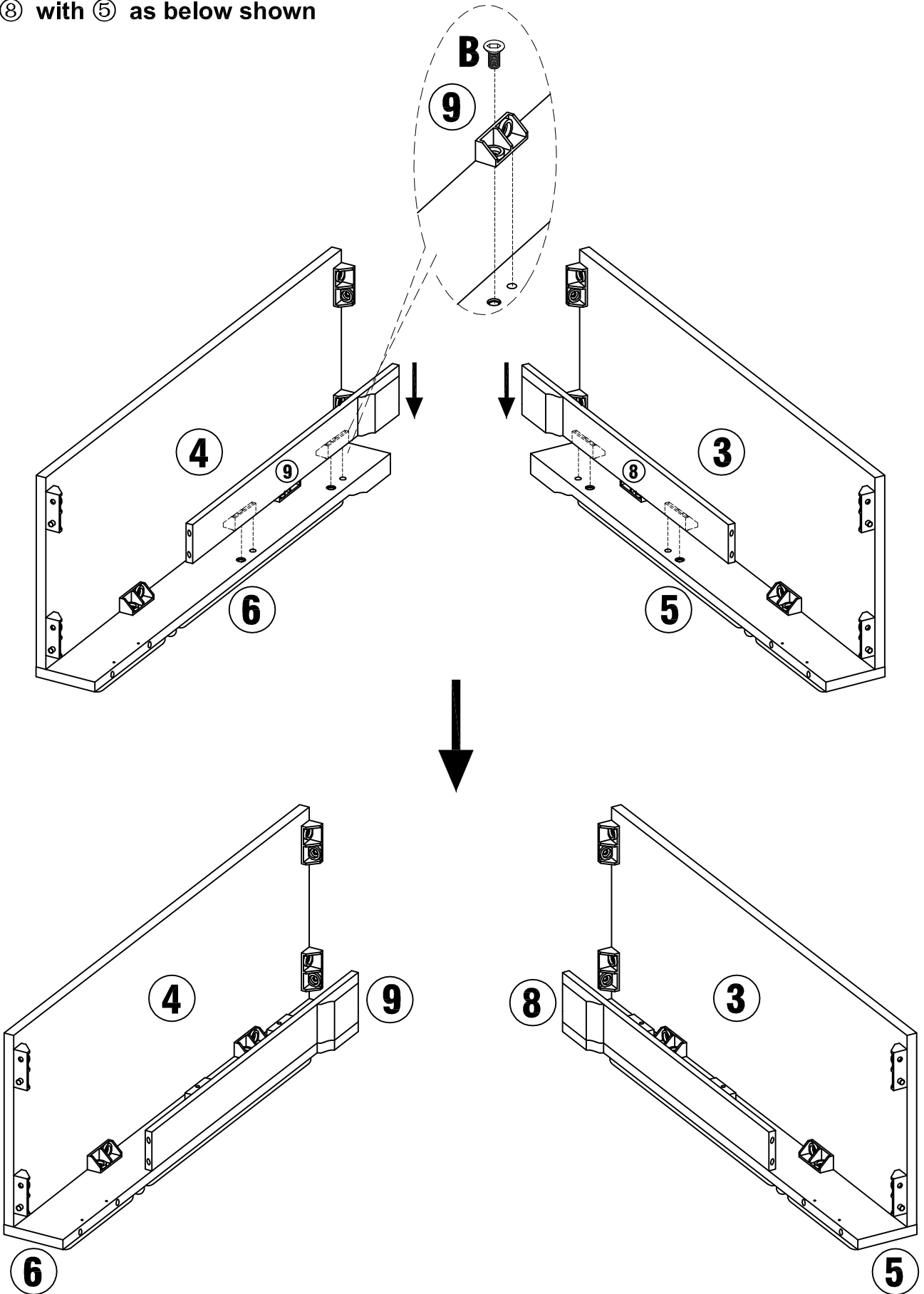
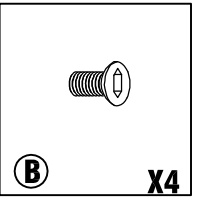
Attention: We need to make sure that we connect both panels as the instruction shows. Ohterwise, it will cause wrong outlook.



STEP 3

-Attach the panel ⑨ to the panel ⑥ as below shown, and screw Bx2 to lock the panel ⑨ with ⑥ as below shown

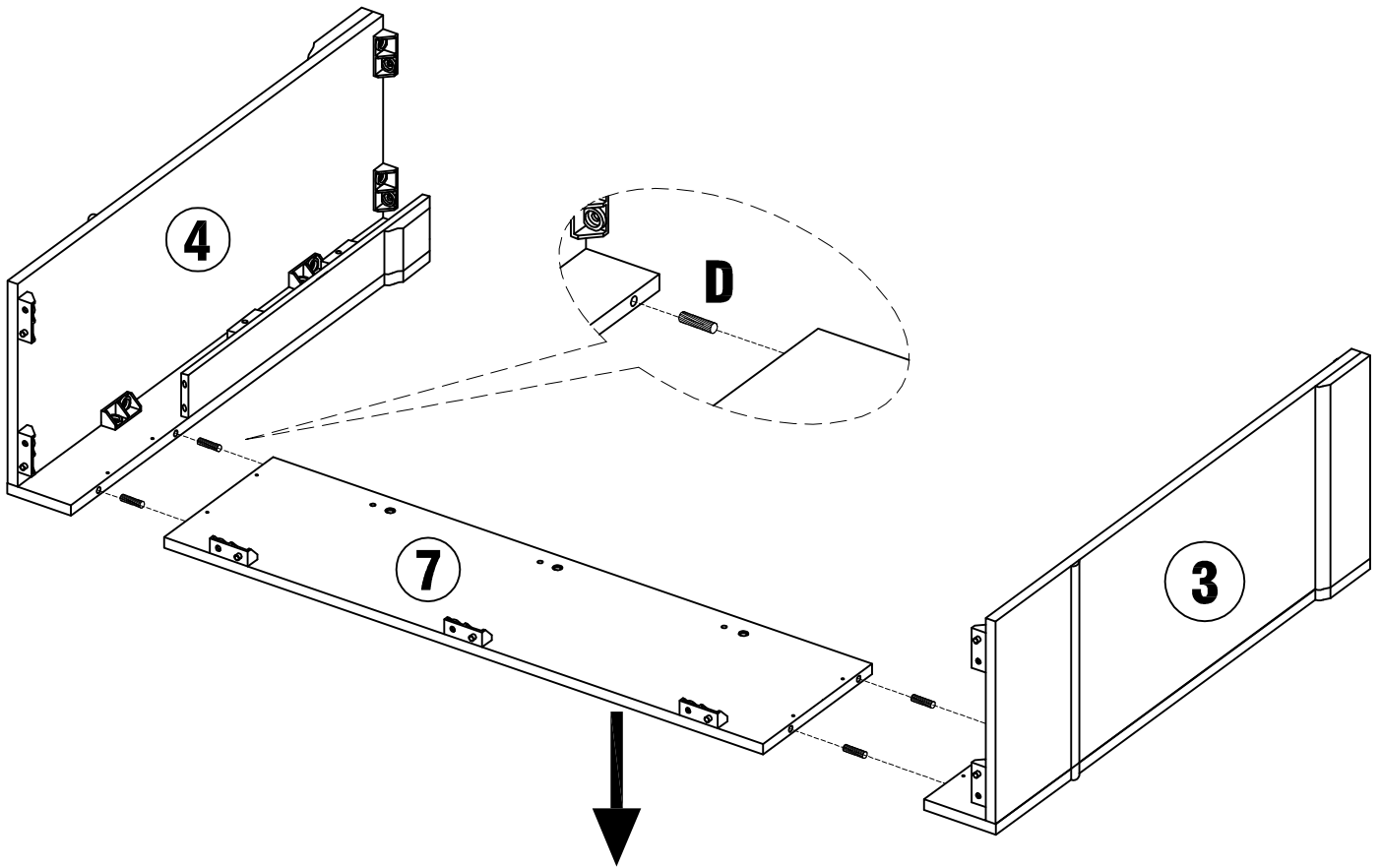
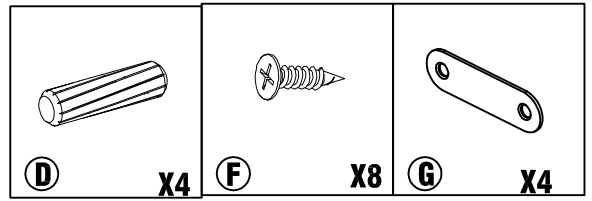
-Attach the panel ⑧ to the panel ⑤ as below shown, and screw Bx2 to lock the panel ⑧ with ⑤ as below shown



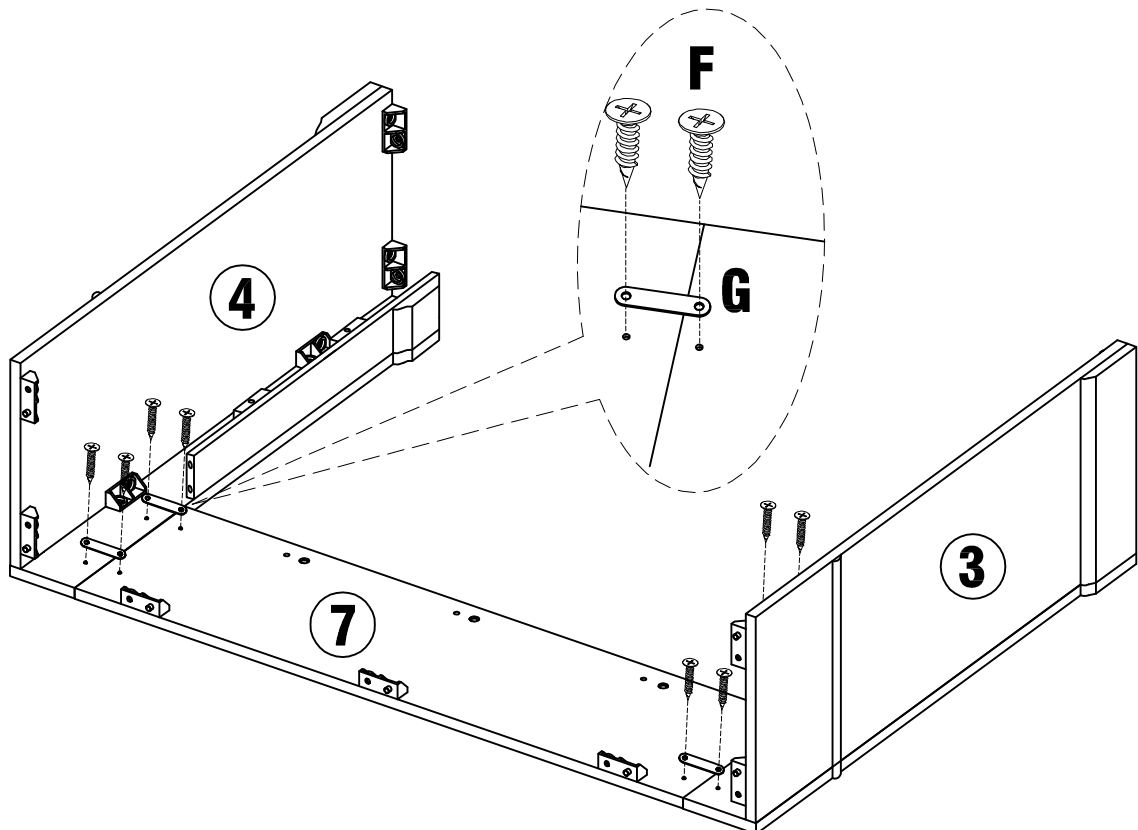
STEP 4

-Insert dowels Dx4 to the panel ⑦ as below shown

-Connect the combination of ④&⑥&⑨ and ③&⑤&⑧ to the panel ⑦ as below shown

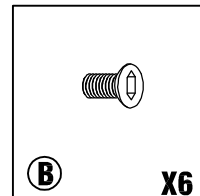


-Screw Fx8 to lock the Gx4 onto the panel ⑦ as below shown



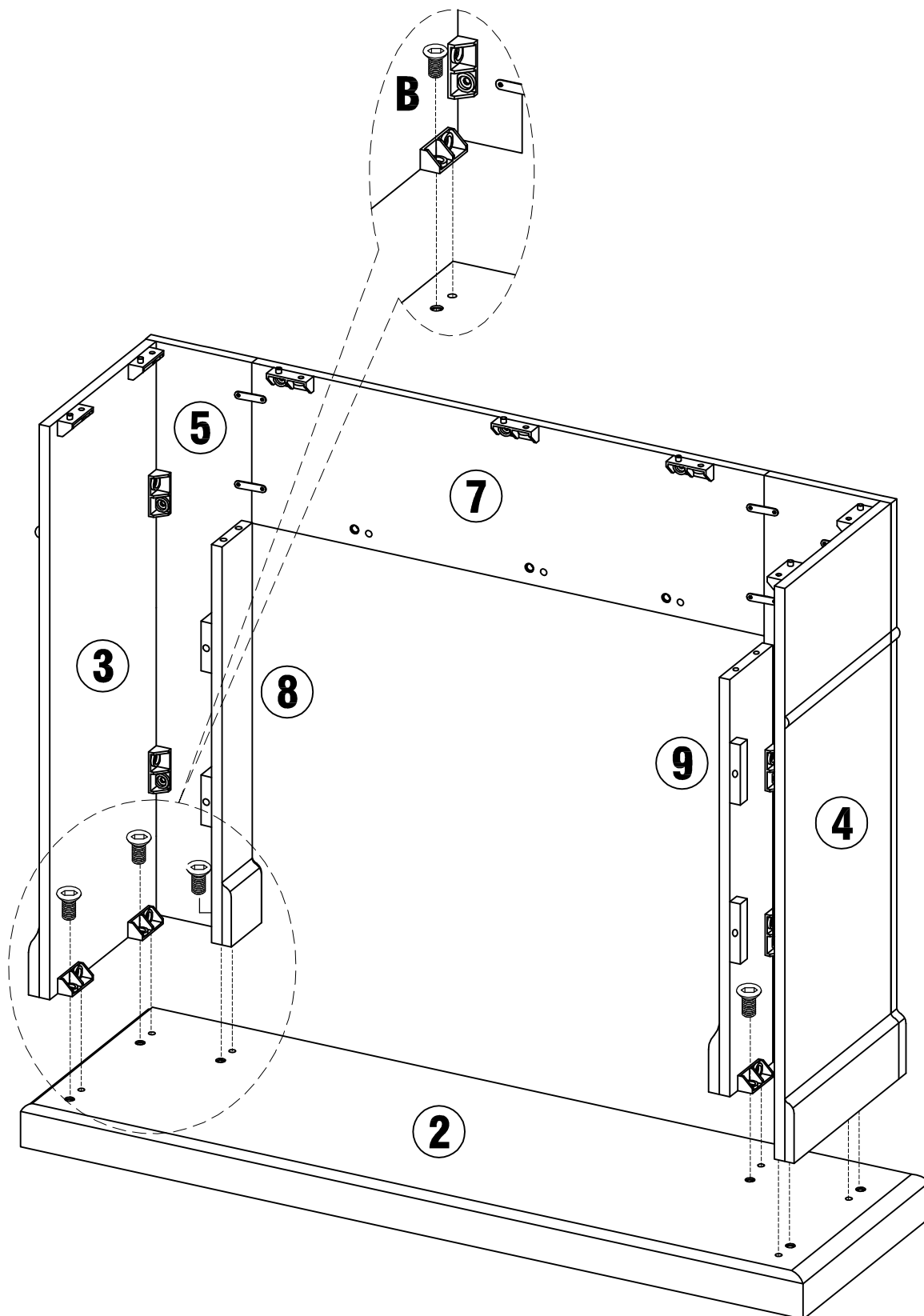
STEP 5

We recommend that 2 people to finish this step for safety reason.



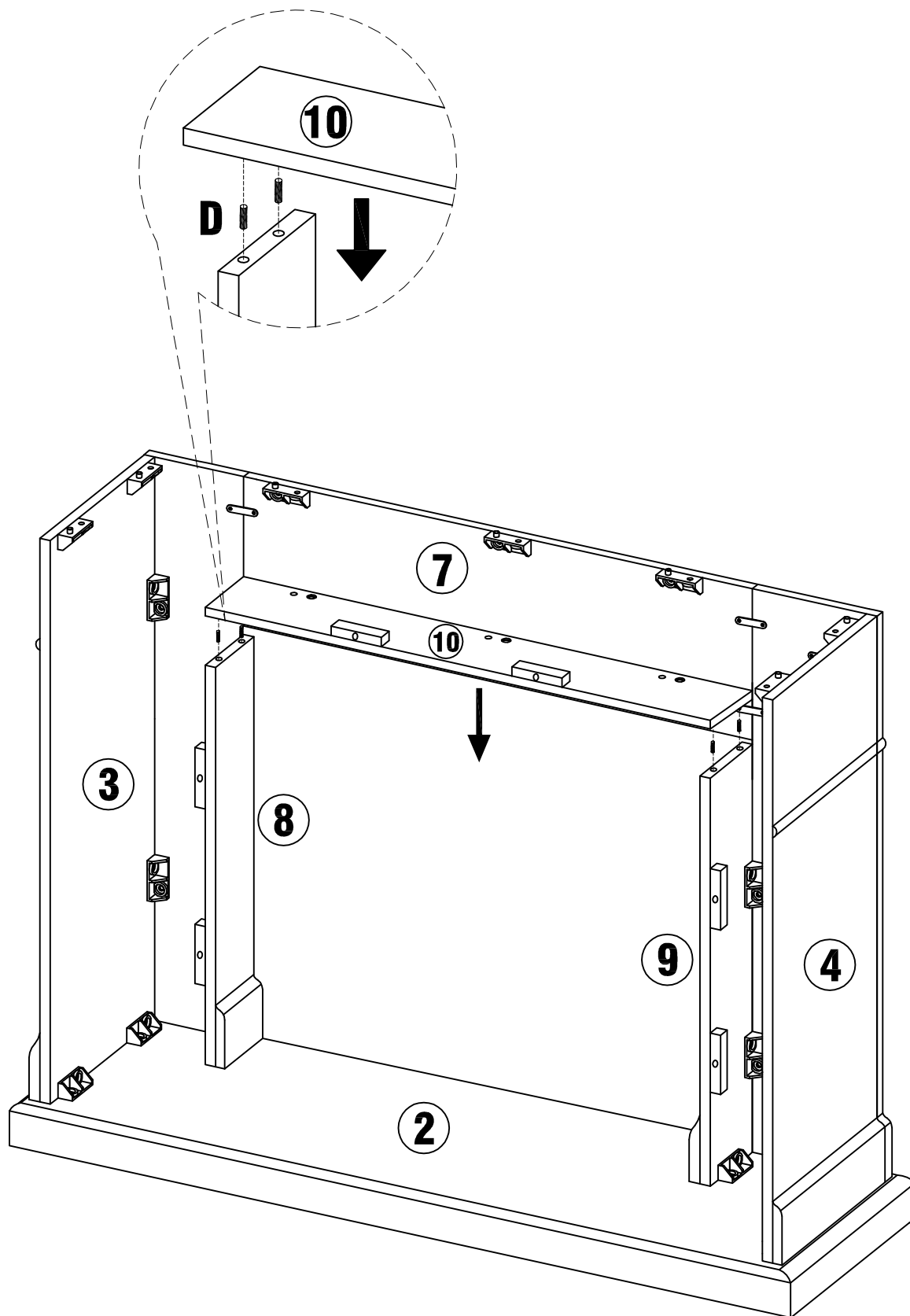
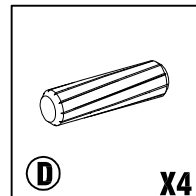
-Connect the above part to the panel ② as below shown

-Use B screws to lock the panel ③, ④, ⑧, and ⑨ onto the panel ② separately as below shown

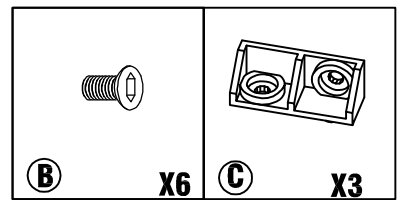


STEP 6

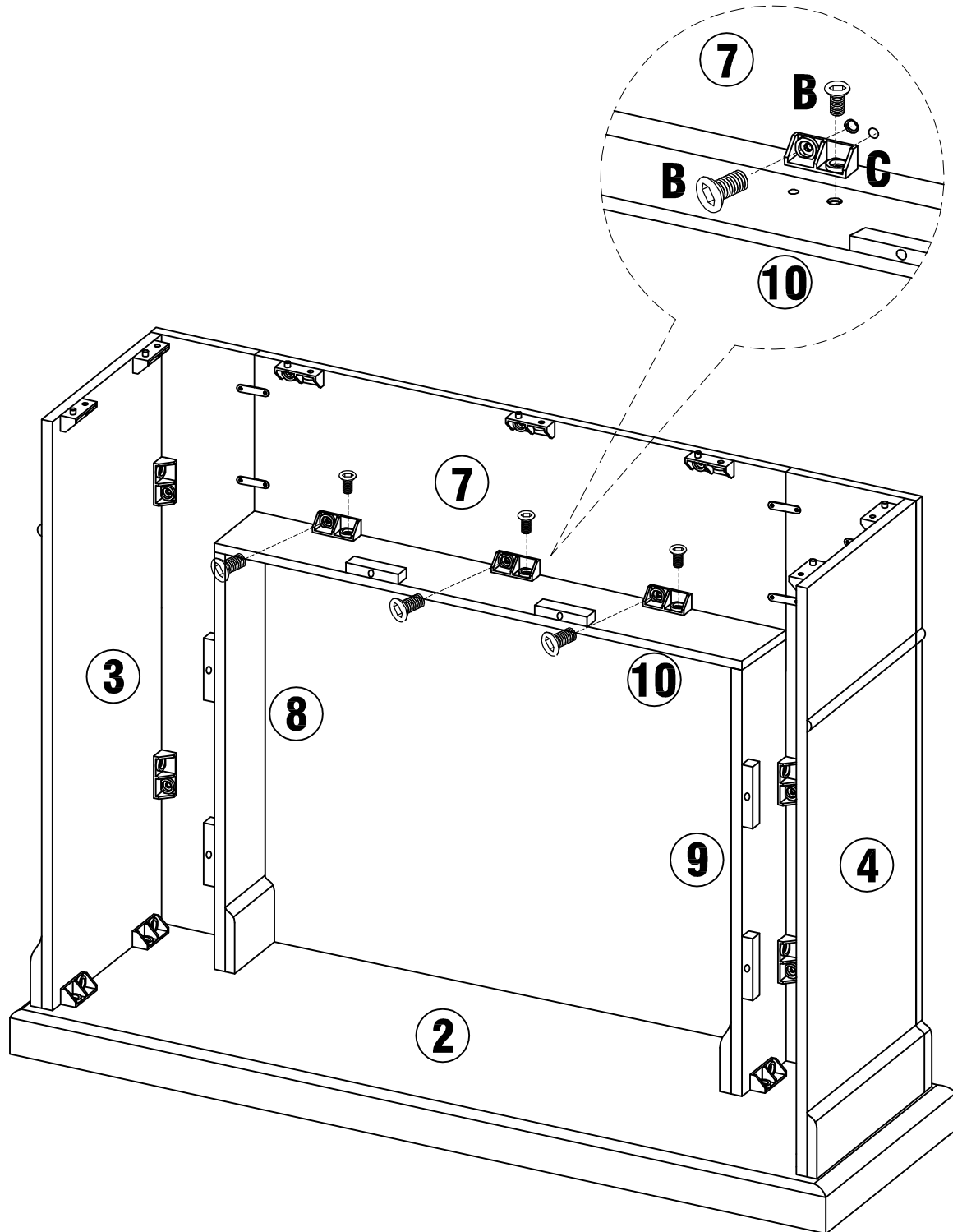
- Insert dowels Dx2 separately to the panel ⑧ and ⑨ as below shown
- Connect the panel ⑦ with the panel ⑧ and the panel ⑨ as below shown



STEP 7

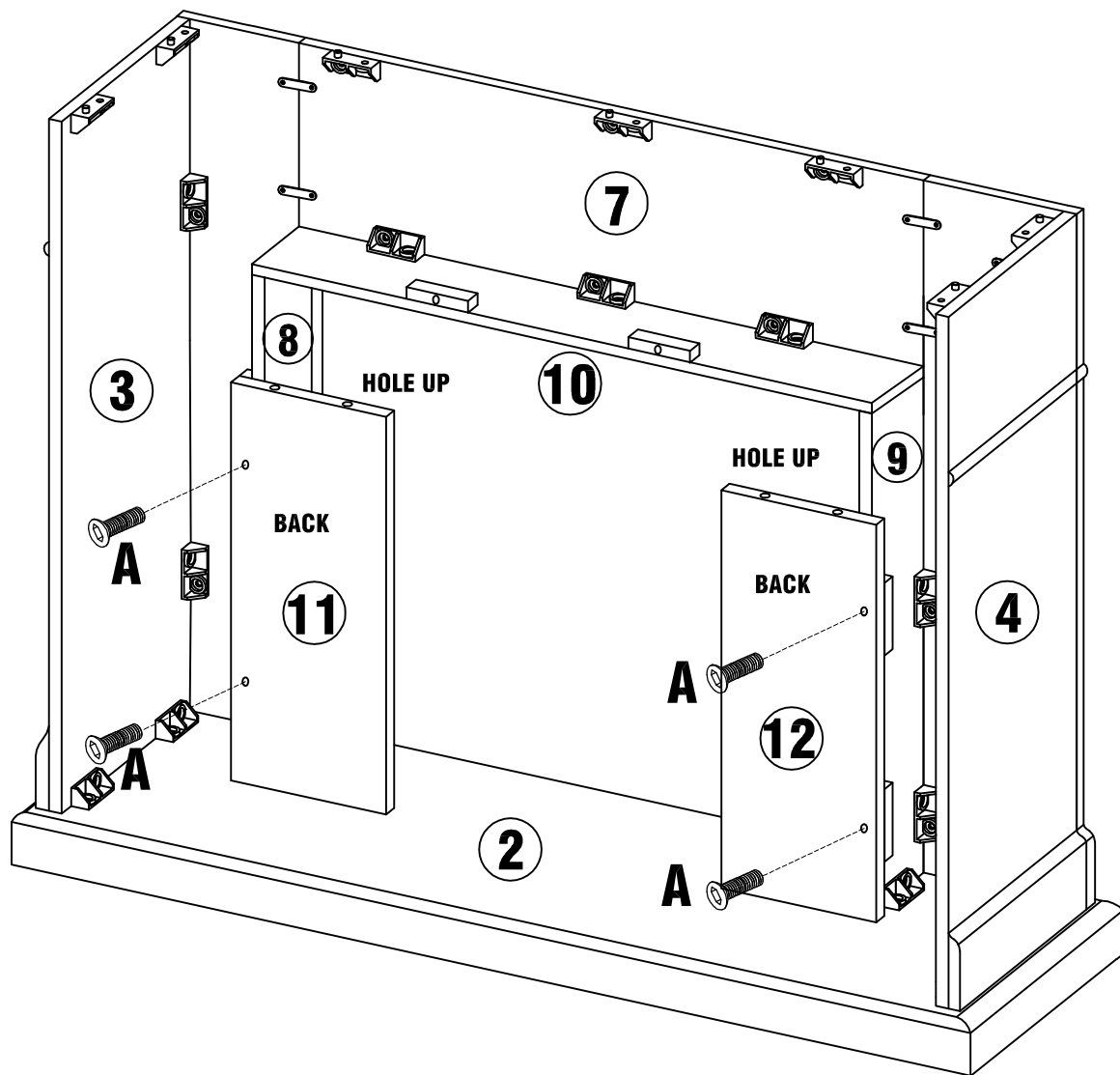
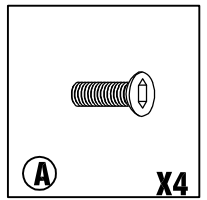


-Use screw Bx6 to lock the panle ⑦ with the panel ⑩ by Cx3 as below shown



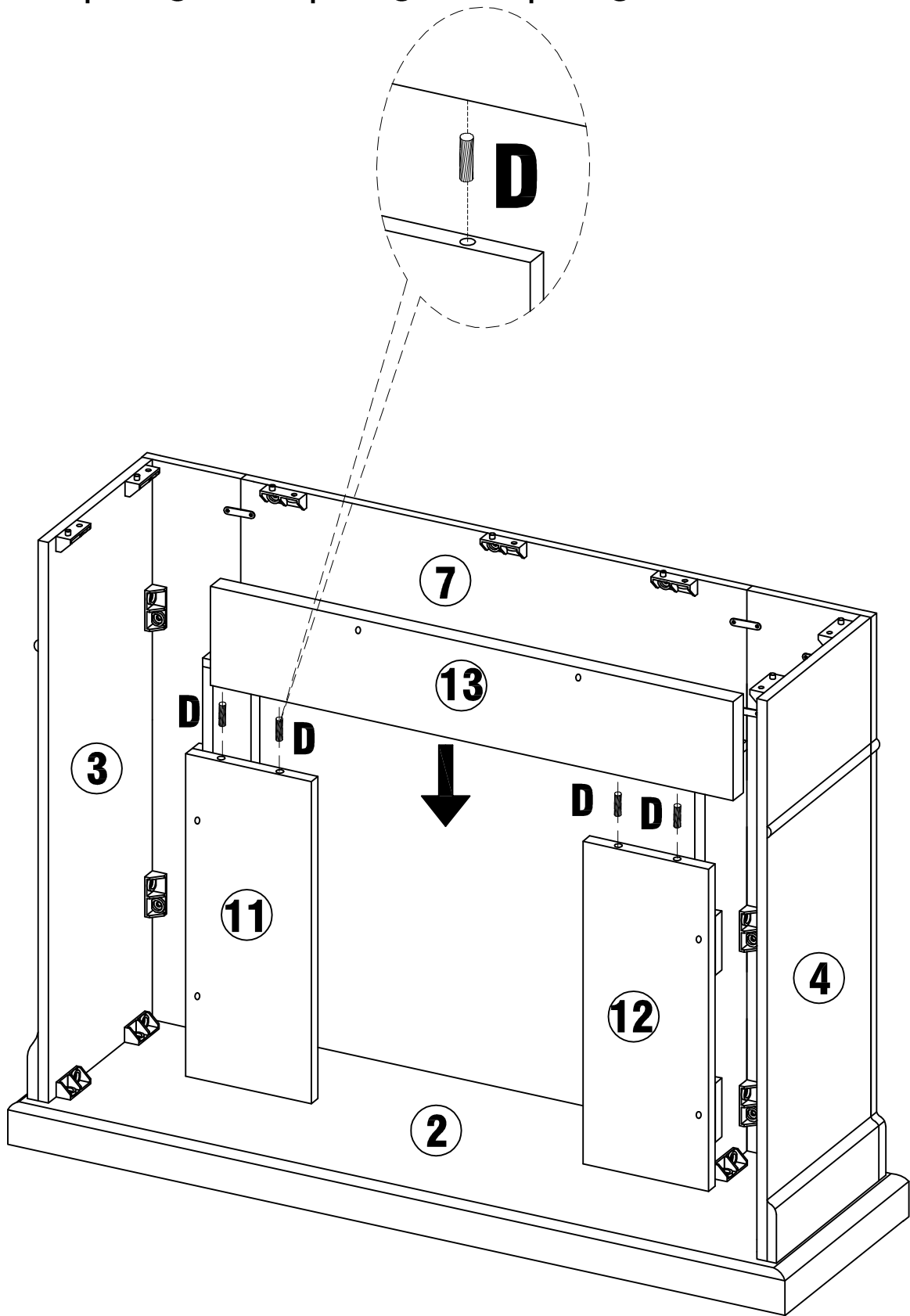
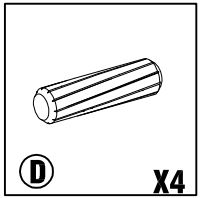
STEP 8

- Screw Ax2 to lock the panel ⑪ with the panel ⑧ as below shown
- Screw Ax2 to lock the panel ⑫ with the panel ⑨ as below shown



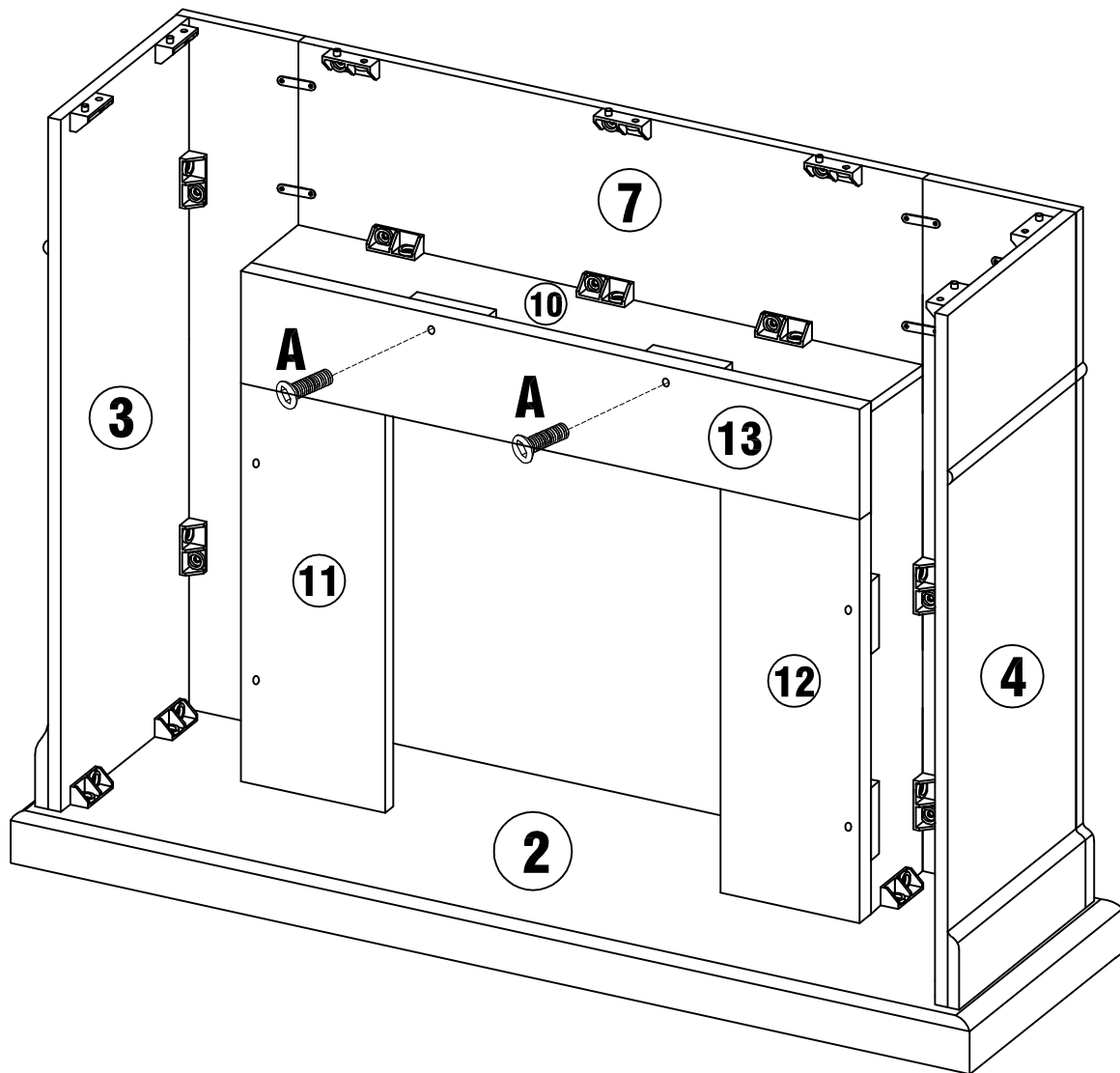
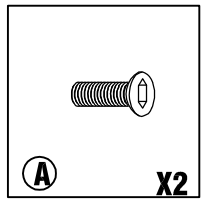
STEP 9

- Insert dowels Dx2 separately to the panel ⑪ and ⑫ as below shown
- Connect the panel ⑬ with the panel ⑪ and the panel ⑫ as below shown



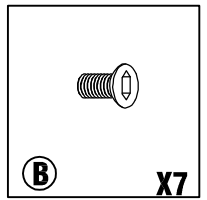
STEP 10

-Screw Ax2 to lock the panel ⑬ with the panel ⑩ as below shown

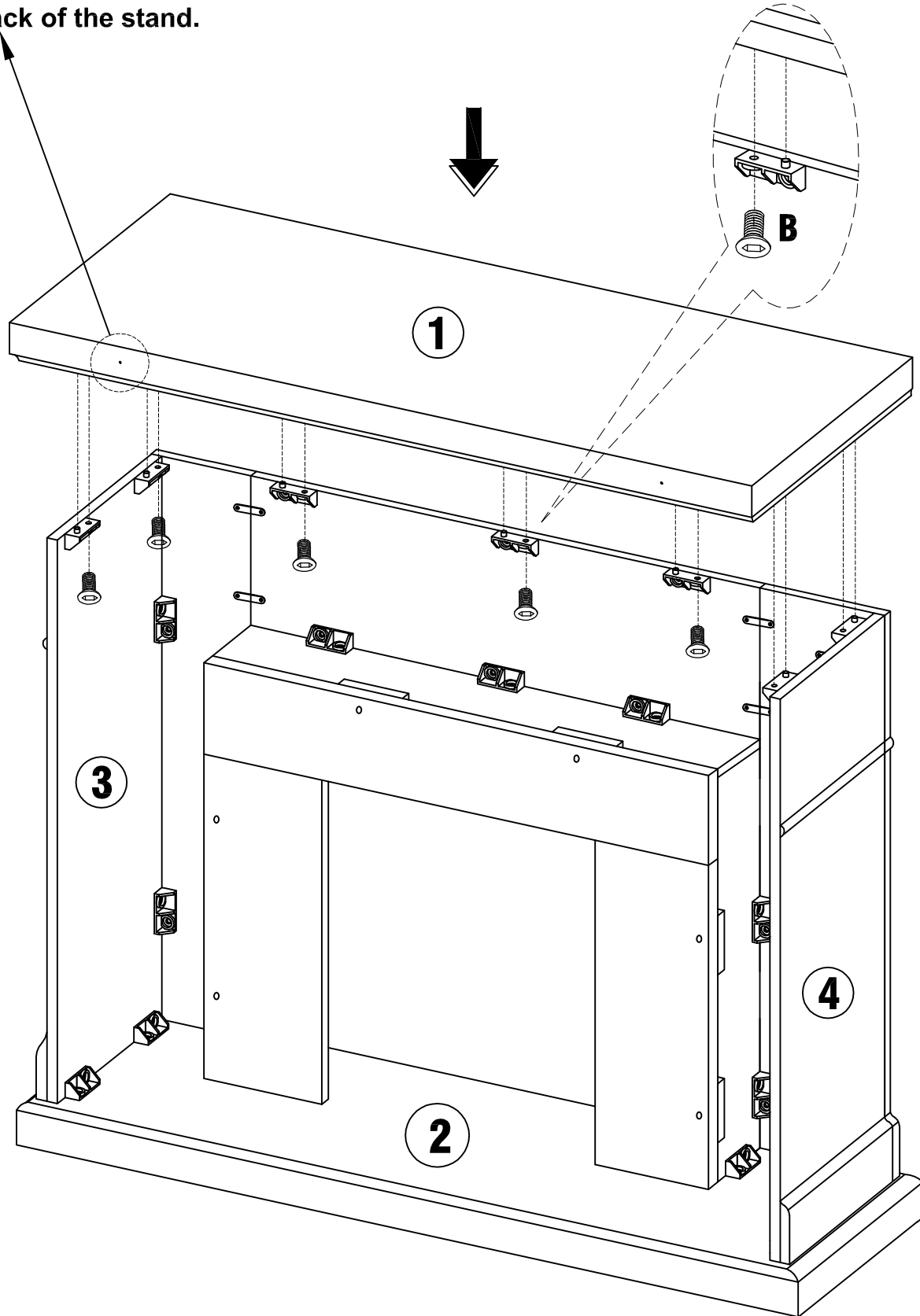


STEP 11

- Attach the top panel ① to complete the stand as below shown
- Screw Bx7 to lock it firmly



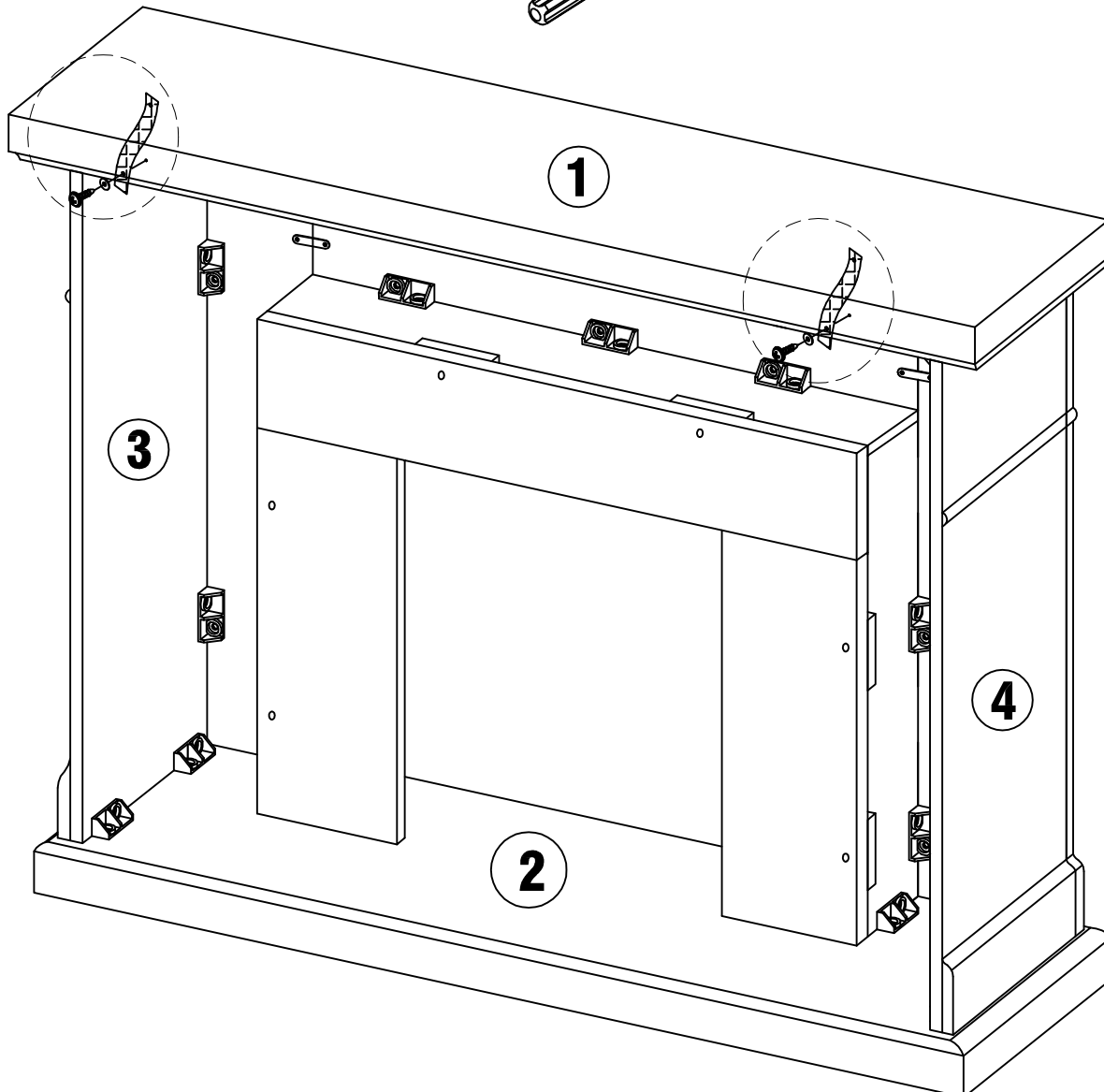
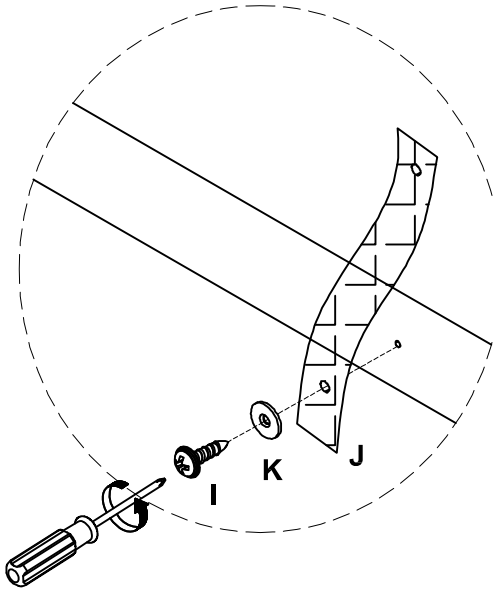
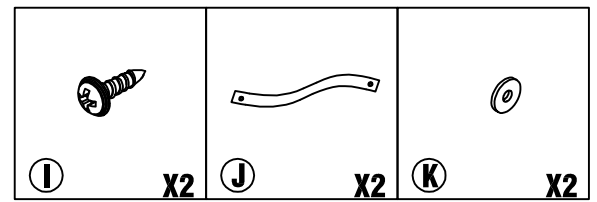
We should make sure that the side with 2 small pre-drilled holes of the panel ① is the back of the stand.



STEP 12

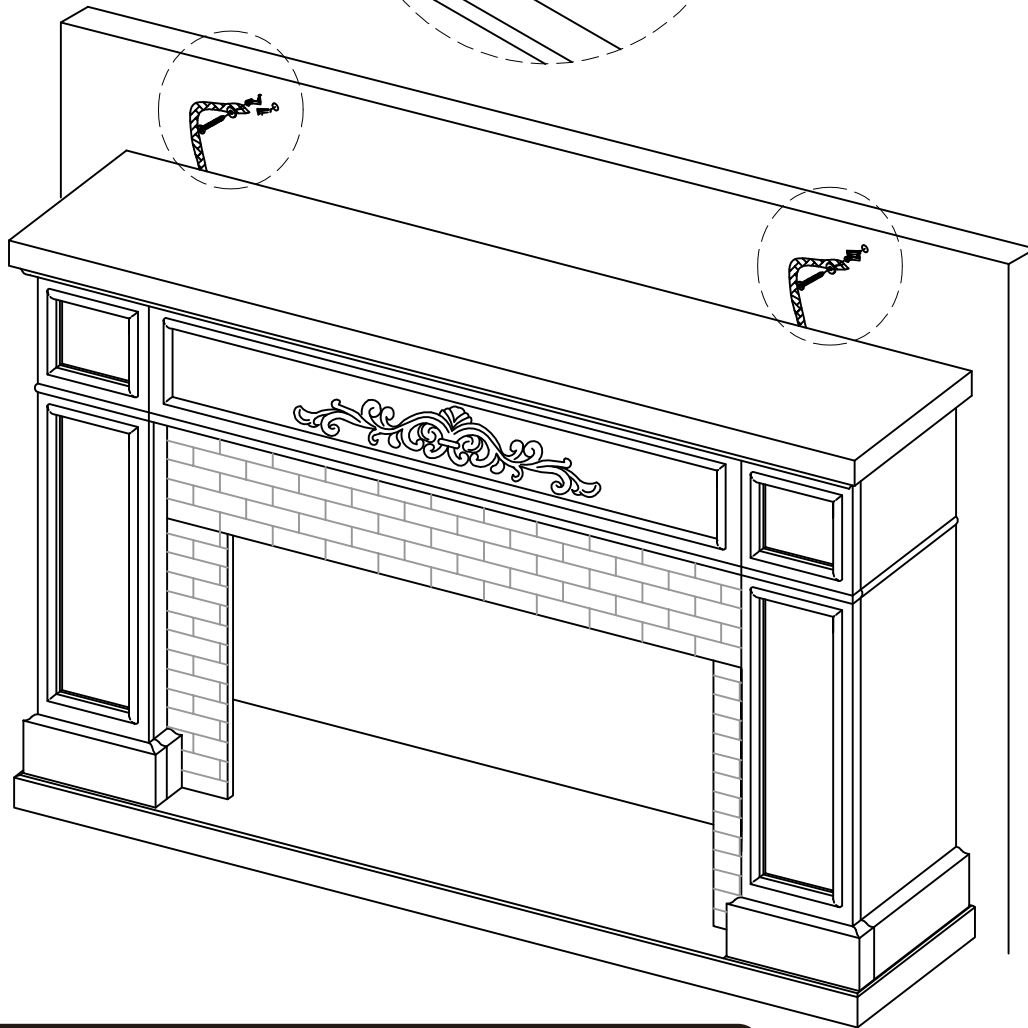
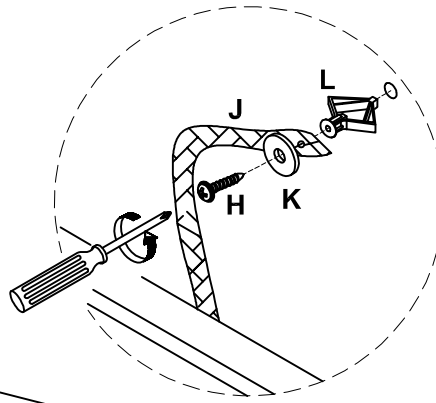
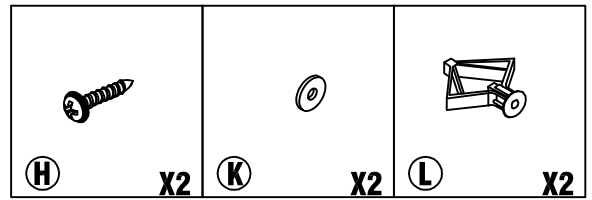
Install the anti-tip device

-Screw 1x2 to fix the Jx2 to the panel ① as below shown



STEP 13

-Screw Hx2 to fix the Jx2 to the wall as below shown



WARNING



Children have died from furniture tipover. To reduce the risk of furniture tipover:

- ALWAYS install anti-tip device provided.
- NEVER put a TV on this product.
- NEVER allow children to stand, climb or hang on any drawers, doors, or shelves.
- NEVER open more than one drawer at a time.
- Place heaviest items in the lowest drawers.



**It is a permanent label.
Do not remove!**