

Model #DV-1K502

Overall Dimension: 32 11/16" L x 18" W x 10" D

Features:

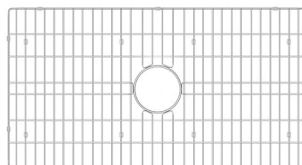
- The surface of Fireclay sink is coated with a thick glaze material, making it smooth and easy to clean. It is also quieter than a stainless steel sink.
- White farmhouse fireclay porcelain reversible single bowl apron kitchen sink, you can choose which side to use as the front according to your decorating style.
- Sloped bottom design of the kitchen sink can help drain water quickly and prevent water pooling.
- Farmhouse apron installation creates a seamless transition from sink to countertop that makes it easy to wipe water straight into the sink.
- The water absorption rate of Fireclay sink is 9%, which is well above the qualified standard.
- Sink can accommodate a 3.5" garbage disposal.



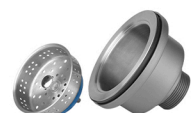
Package Included:



● Farmhouse Kitchen Sink(DV-1K502)



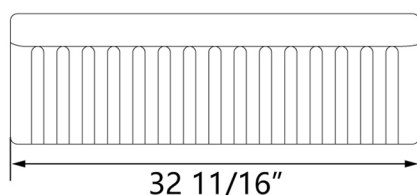
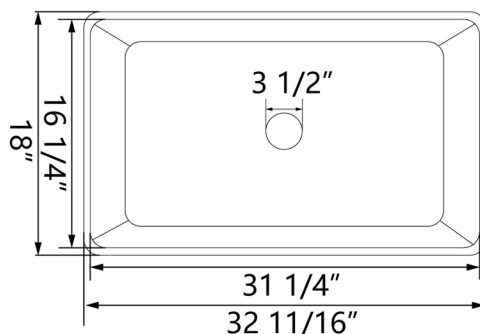
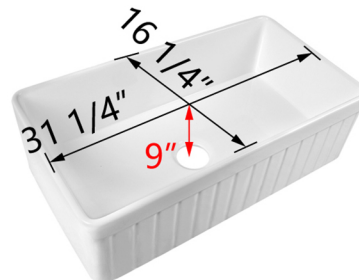
● Sink Grid(DV-K502G08)



● Basket Strainer(DV-1D902)

Technical Specifications:

- + Outer: 32 11/16" L x 18" W x 10" D
- + Inner: 31 1/4" L x 16 1/4" W x 9" D
- + Weight: 81.6 lbs
- + Drain: 3 1/2" diameter
- + Cabinet Size: 33 11/16" minimum



#DV-1K502

Sinks are individually handcrafted, so sizes may vary slightly.

1 Year Warranty

All DeerValley kitchen sinks come with our Warranty within one year.

